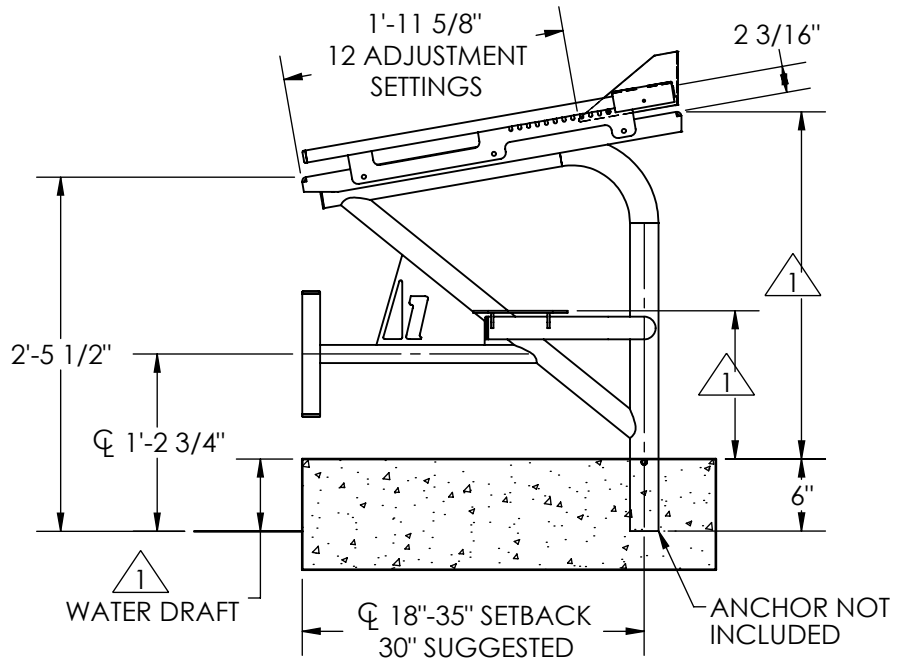
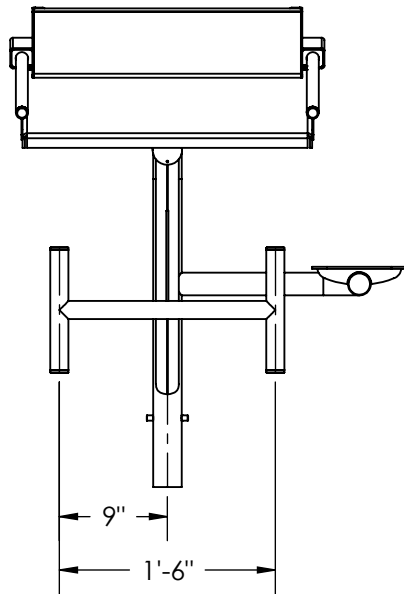
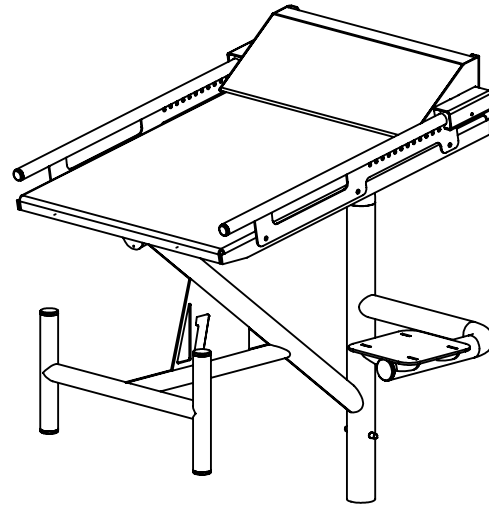
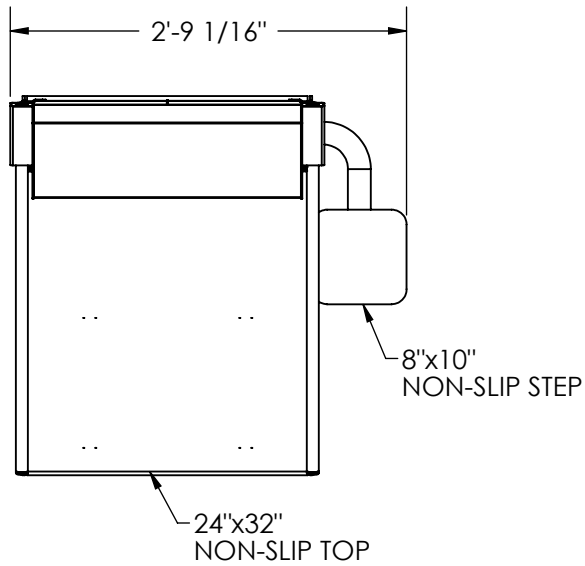


**STARTLINE  
MODEL - XCELLERATOR**



**NOTE:**

△ DIMENSIONS VARY WITH SPECIFIC APPLICATIONS.  
SPECIFICATIONS ARE NOMINAL AND ARE SUBJECT TO CHANGE.  
PLEASE CONTACT SPECTRUM PRODUCTS FOR CUSTOM APPLICATIONS.