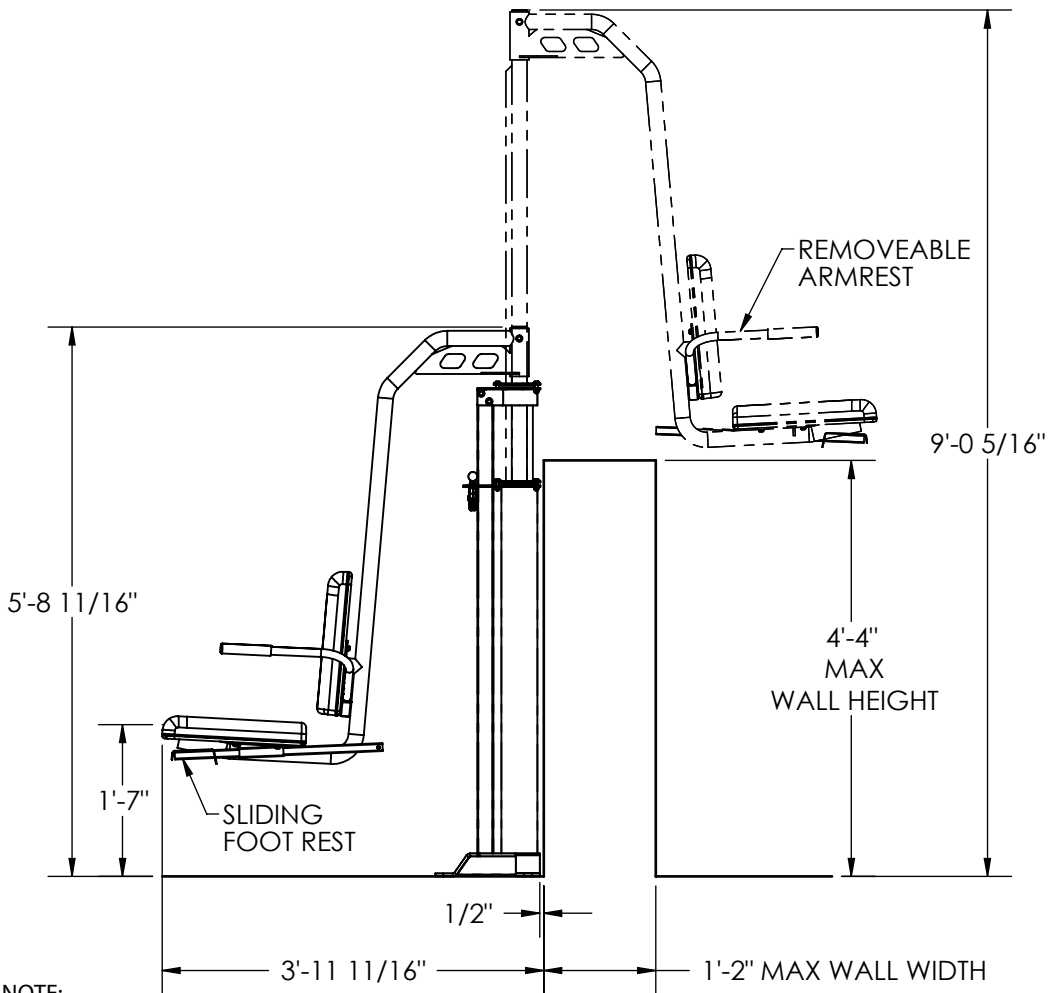
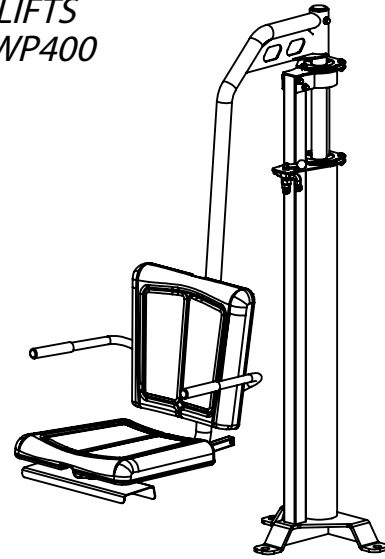
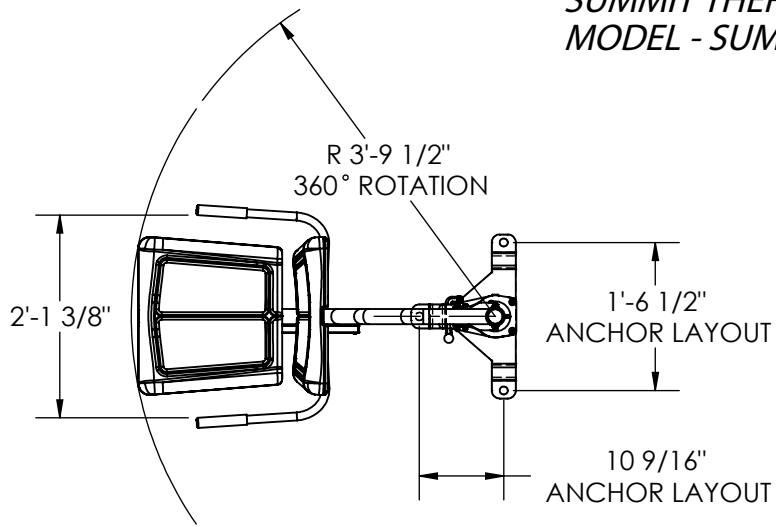


**SUMMIT THERAPY LIFTS
MODEL - SUMMIT WP400**



NOTE:

1 DIMENSIONS VARY WITH SPECIFIC APPLICATIONS.
SPECIFICATIONS ARE NOMINAL AND ARE SUBJECT TO CHANGE.
PLEASE CONTACT SPECTRUM PRODUCTS FOR CUSTOM APPLICATIONS.