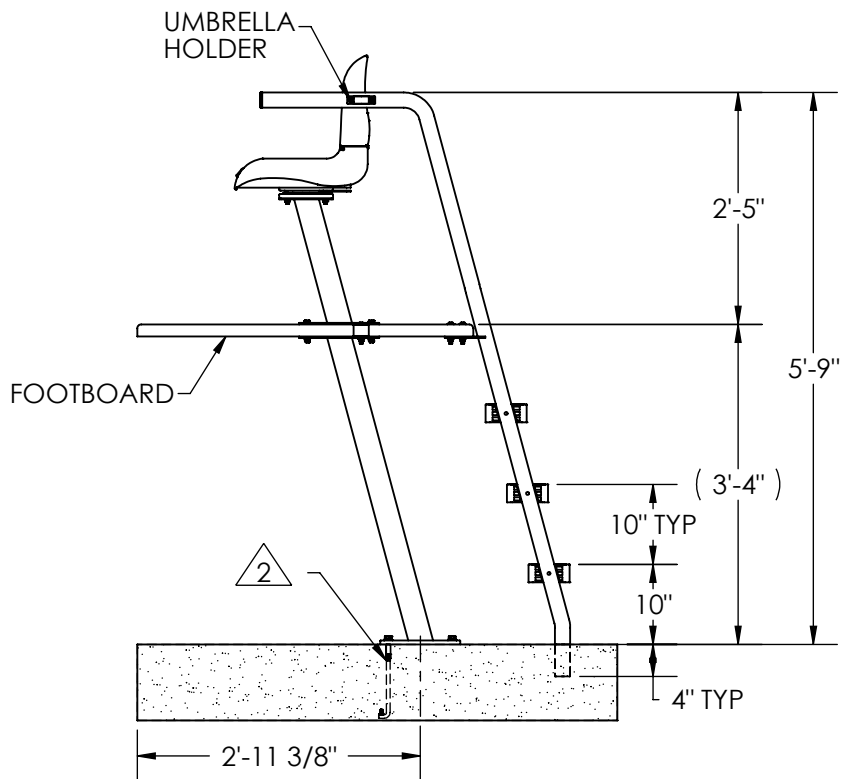
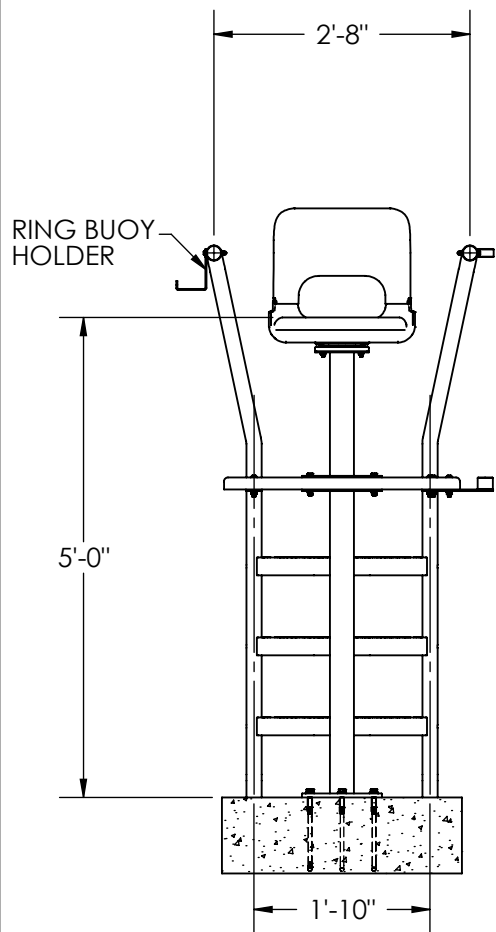
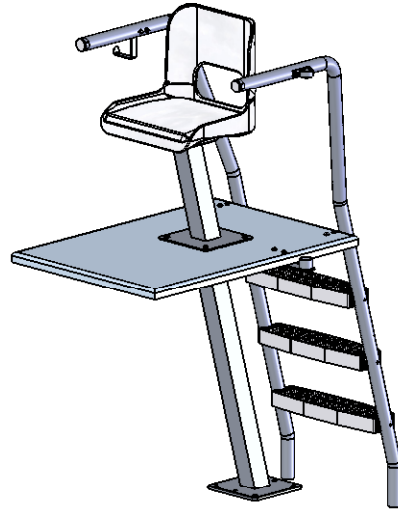


*GUARDIAN SERIES  
MODEL - 5' STIMSON*



NOTE:

△ 1 DIMENSIONS VARY WITH SPECIFIC APPLICATIONS.  
SPECIFICATIONS ARE NOMINAL AND ARE SUBJECT TO CHANGE.  
PLEASE CONTACT SPECTRUM PRODUCTS FOR CUSTOM APPLICATIONS.

△ 2 SAPPHIRE ANCHOR NOT INCLUDED - #20021-00