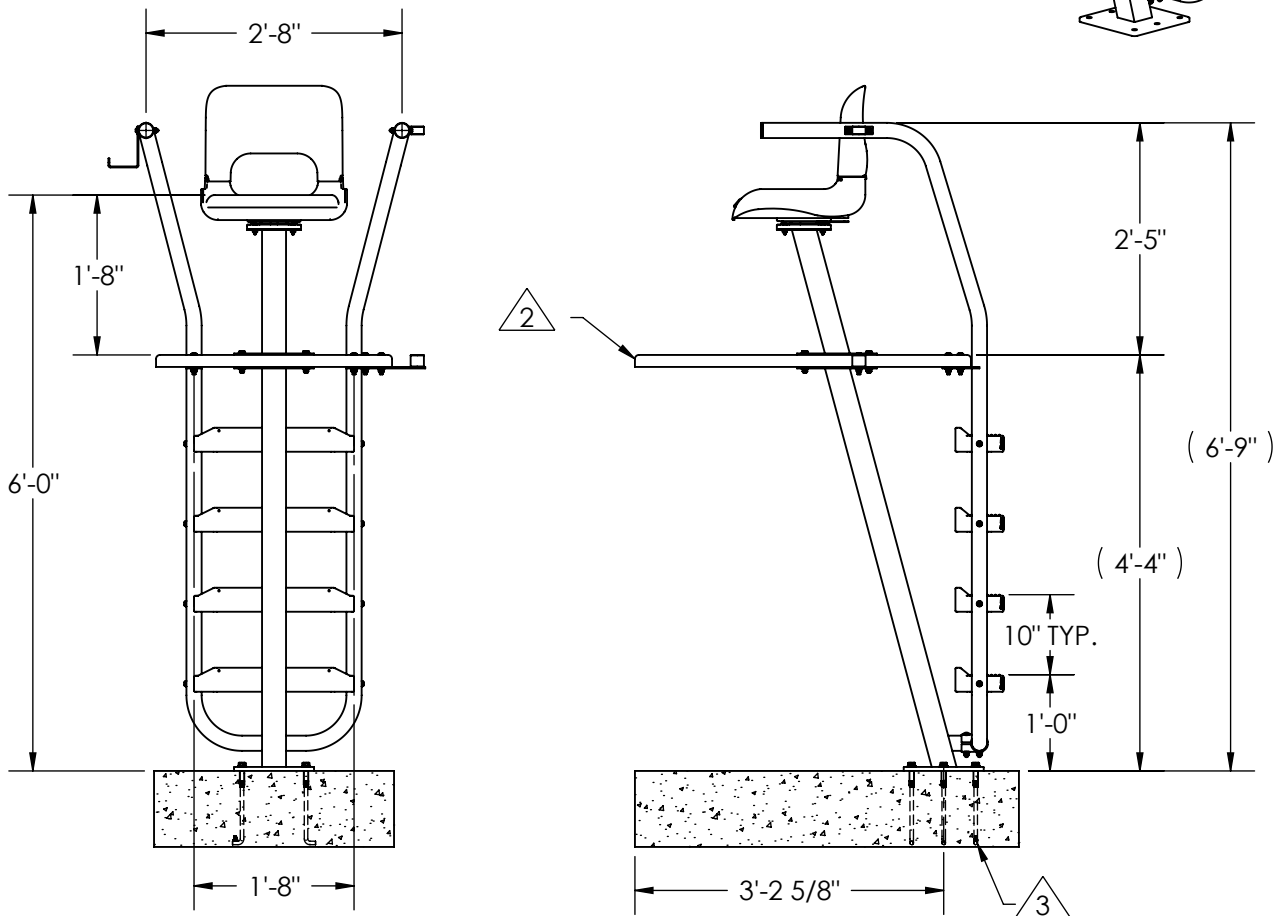
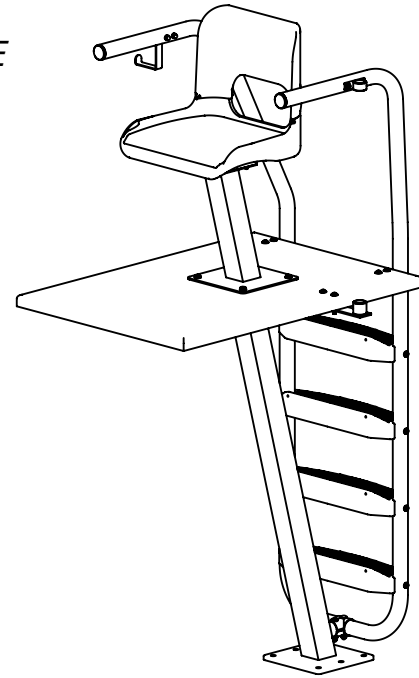


**GUARDIAN SERIES  
MODEL - SAPPHIRE**

NOTES:

- ① DIMENSIONS VARY WITH SPECIFIC APPLICATIONS.
- ② MATERIAL: FOOTBOARD 29 1/2"x42" COMPOSITE
- ③ SAPPHIRE ANCHOR NOT INCLUDED  
SPECTRUM PRODUCTS CATALOG #20021-00



\*Note: Specifications are nominal and are subject to change.  
Please contact Spectrum Products for custom applications.