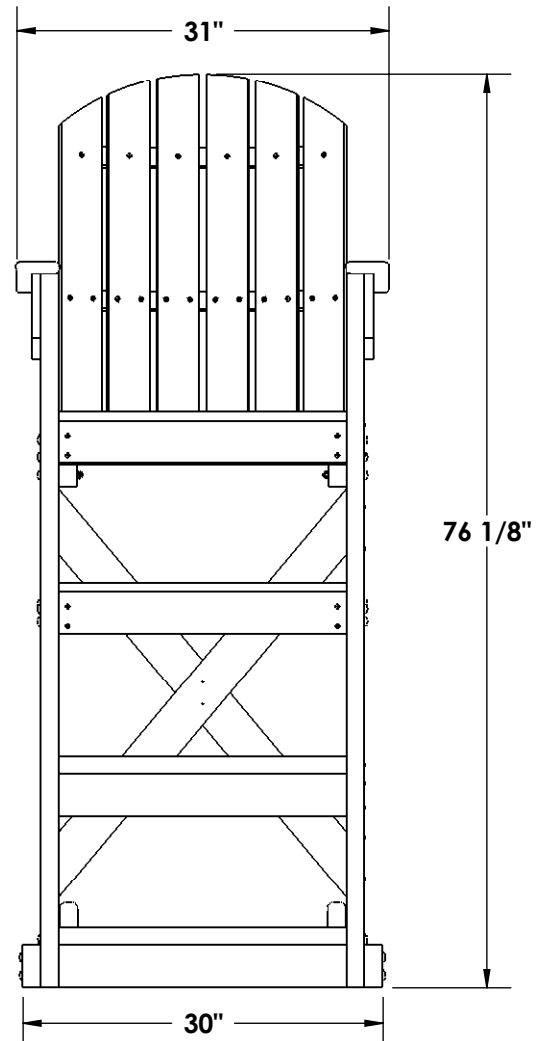
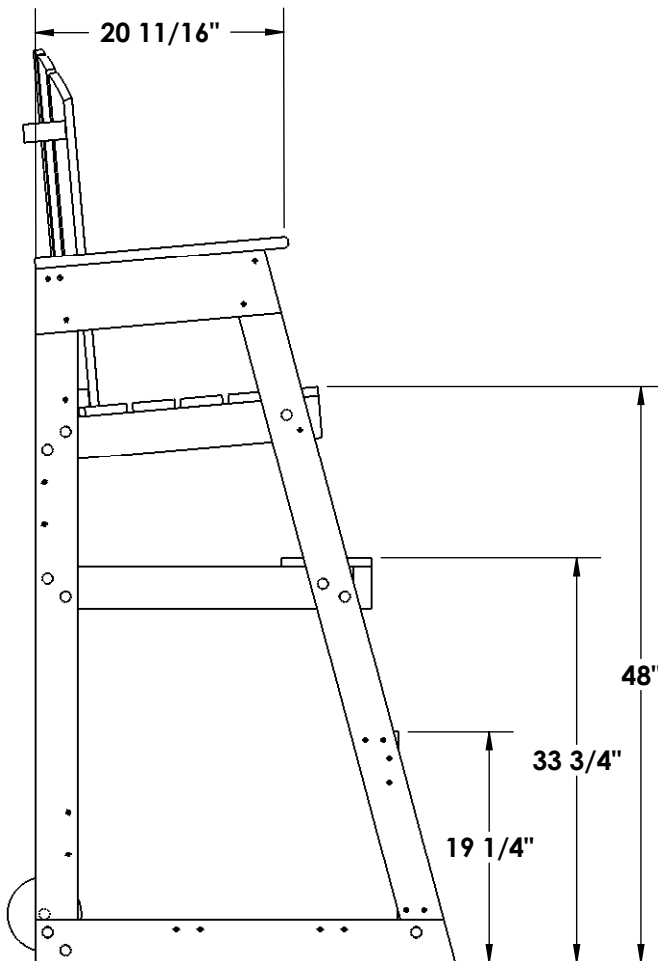
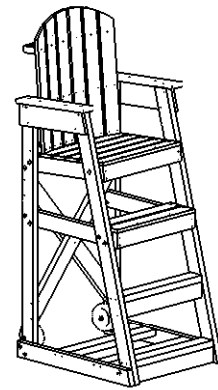
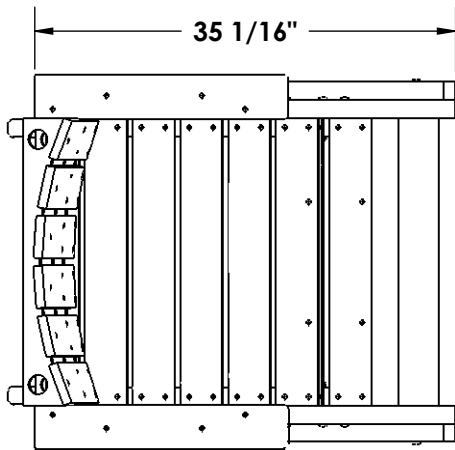


**GUARDIAN
MODEL - 48" MENDOTA**



*Note: Specifications are nominal and are subject to change.
Please contact Spectrum Products for custom applications.

Lifeguard chair, 4-Foot Mendota, part number 45023

Specifications:

The Mendota lifeguard chair shall be portable. The chair shall be constructed of UV inhibited recycled high-density polyethylene material. The chair seat shall be elevated 4' above the surface of the swimming pool deck.

Lifeguard Chair Frame

The lifeguard chair frame is to be fabricated of high-density polyethylene material. All joints shall be secured using 300 series stainless steel through bolts and 300 series stainless steel wood screws. The lifeguard chair includes one step and one platform for access. One stainless steel ring buoy hanger and umbrella holders are included. Two standard colors available, white and sand. Custom colors available upon request.

Warranty

Two year limited warranty.

