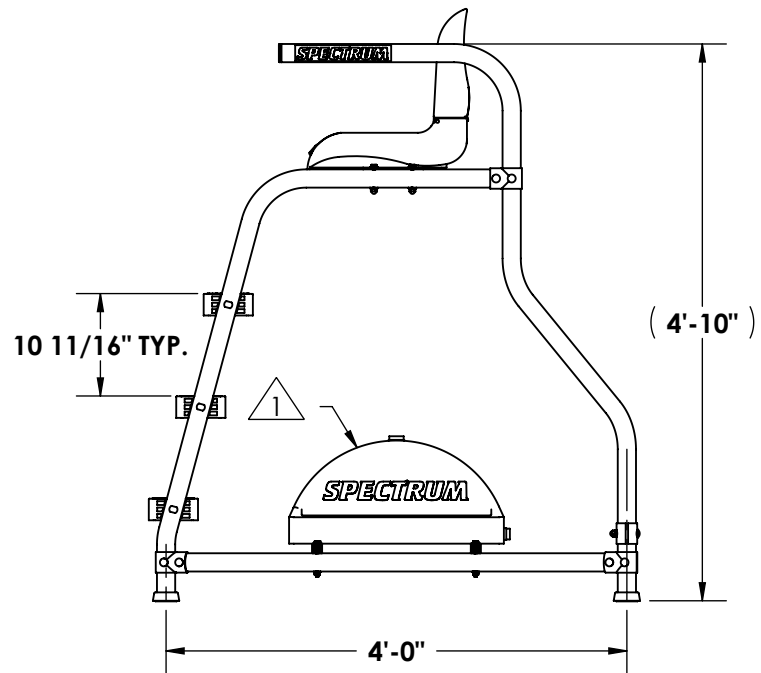
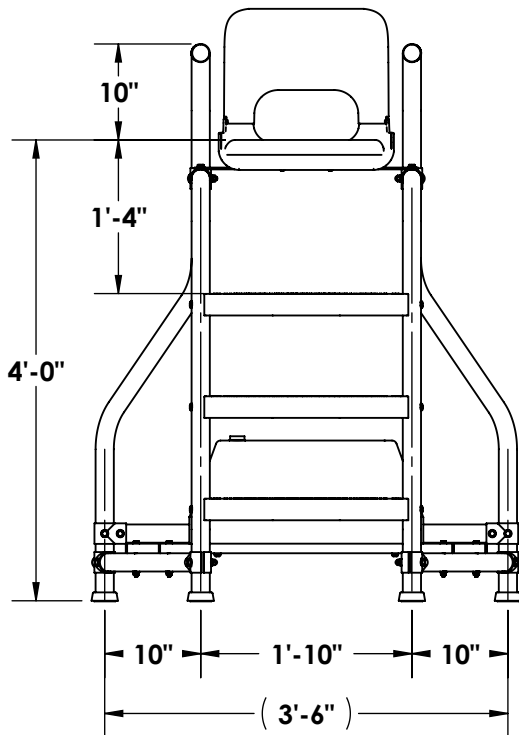
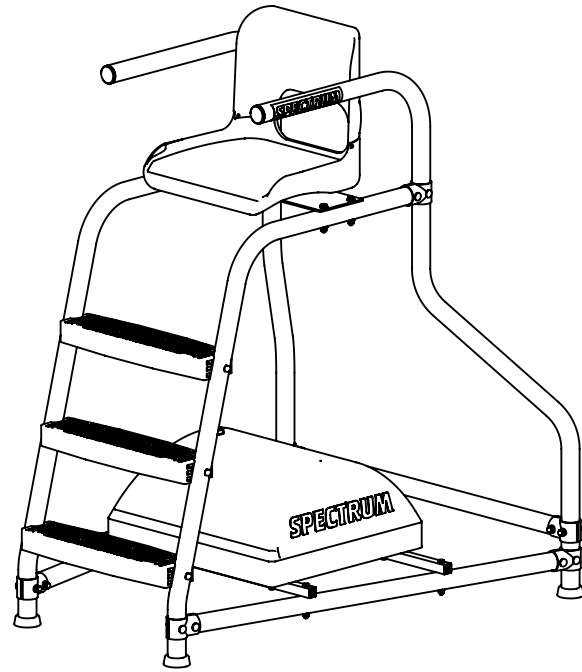
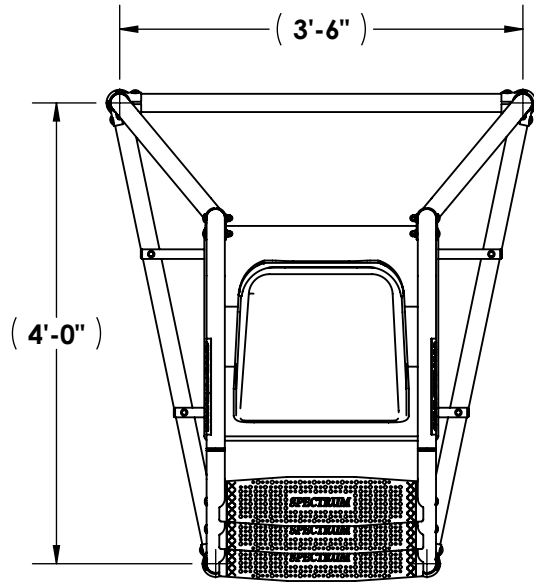


**GUARDIAN SERIES
MODEL - MARSHALL 4'-0"**

NOTE:

1 PLATFORM BALLAST SYSTEM NOT INCLUDED
SPECTRUM PRODUCTS CATALOG #20148-00



*Note: Specifications are nominal and are subject to change.
Please contact Spectrum Products for custom applications.

Lifeguard platform, 4-Foot Marshall, part number 20110

The lifeguard platform shall consist of the following components:

Lifeguard Platform Frame

The lifeguard platform frame is to be fabricated of 1.90" O.D. x 0.065" wall thickness 300 series stainless steel. All joints are to be secured using bolt through, 300 series stainless steel split tees. Four (4) non-marking rubber bumpers are to be provided.

Steps

Three (3), 15-degree step treads shall be provided. They shall be 22" wide, have an integral non-slip top surface, and shall be injection molded using U.V. stabilized ABS plastic.

Seat Assembly

The seat shall be 18" high, 18" wide and 17 ³/₄" deep and shall be a double contour design for prolonged seating comfort. Closed cell, UV protected, foam padding shall be provided. The seat shall fold down when not in use to keep seat surface cool and retard use by unauthorized individuals. Fold down shall be a "No-Pinch" hinge with stainless-steel hinge pins. The seat assembly shall be white in color.

Warranty

Two year limited warranty.

