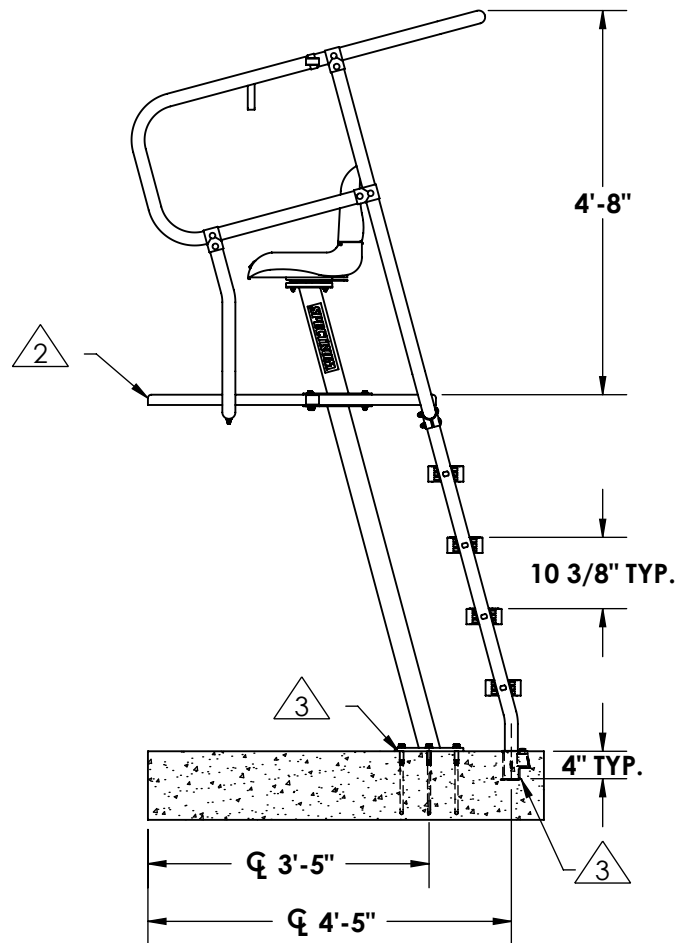
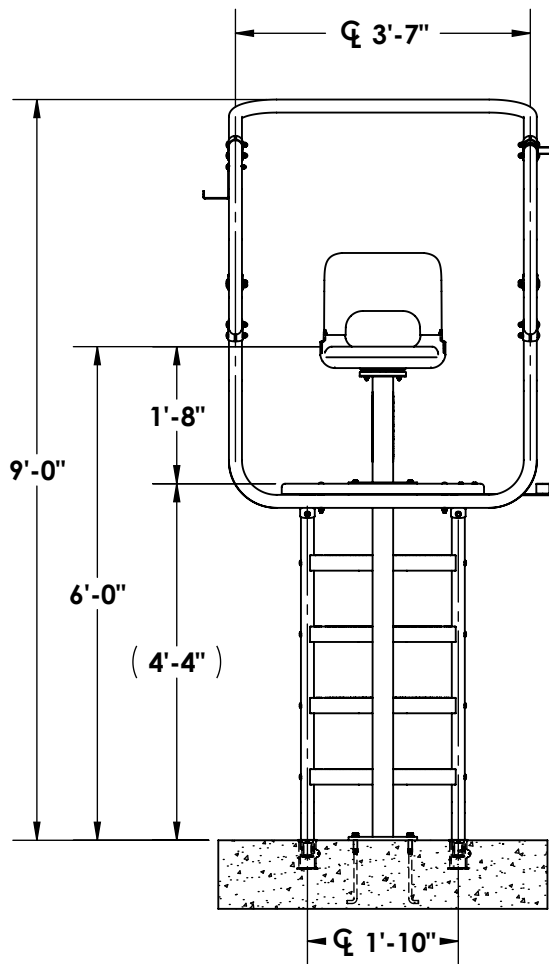
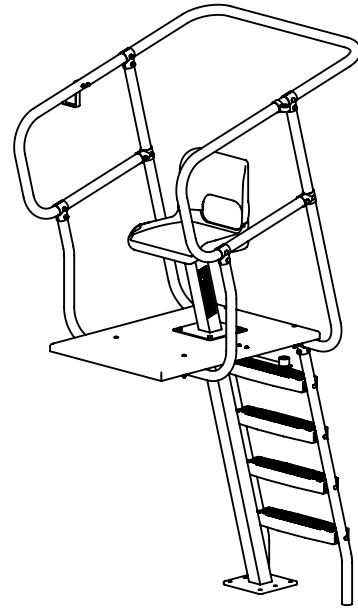


GUARDIAN SERIES MODEL - HYALITE

NOTE:

- ① DIMENSIONS VARY WITH SPECIFIC APPLICATIONS.
 - ② MATERIAL: FOOTBOARD 29 1/2"x42" COMPOSITE
 - ③ HYALITE ANCHOR KIT NOT INCLUDED
SPECTRUM PRODUCTS CATALOG #20013-00
- (1) STEEL ANCHOR BOLTS WITH ANCHOR JIG
(2) 4" STANDARD-DUTY BRONZE ANCHOR



*Note: Specifications are nominal and are subject to change.
Please contact Spectrum Products for custom applications.

SPECTRUM
Products

Lifeguard platform Hyalite, part number 20065

The lifeguard platform shall consist of the following components:

Lifeguard Platform Frame

The lifeguard platform frame is to be fabricated of 1.90" O.D. x 0.065" wall thickness 300 series stainless steel. All joints are to be secured using bolt through, 300 series stainless steel split tees.

Footboard

A solid composite footboard shall be provided with the lifeguard platform. The footboard shall be 30" x 42", shall be manufactured using closed mold vacuum infusion resin transfer (RTM) technique, and designed to incorporate closed cell urethane foam as its inner core. The surface texture of the footboard shall be molded in, shall be a diamond pattern, and shall prevent slipping. Footboards incorporating wood center core and/or sand, or other abrasive, non-slip surfaces will not be considered equal due to environmental demands.

Steps

Four (4), 15-degree step treads shall be provided. They shall be 22" wide, have an integral non-slip top surface, and shall be injection molded using U.V. stabilized ABS plastic.

Seat Assembly

The seat shall be 18" high, 18" wide and 17 ¾" deep and shall be a double contour design for prolonged seating comfort. Closed cell, UV protected, foam padding shall be provided. The seat shall fold down when not in use to keep seat surface cool and retard use by unauthorized individuals. Fold down shall be a "No-Pinch" hinge with stainless-steel hinge pins. The seat shall swivel and be readily removable from a permanently installed base and shall be provided with a means for securing the seat. The seat assembly shall be white in color.

Umbrella and Ring Buoy Holders

One (1)-umbrella holder and one (1)-ring buoy holder shall be provided. Each shall be fabricated from 300 series stainless steel.

Anchor Assembly

The anchor system shall be cast in the concrete deck and shall consist of a column anchor with individual anchors for ladder rails. The column anchor shall consist of, six (6), ½" diameter by 8" long "J" bolts, coupling nuts, stainless steel washers and hold down bolts. The ladder rail anchors, two (2) required, shall be 4" brass wedge anchors. Anchors shall be supplied with grounding lugs for bonding.

Warranty

Two year limited warranty.



7100 Spectrum Lane ~ Missoula, Montana 59808
800.791.8056 ~ 406.542.9781
Fax: 406-542-1158
www.spectrumproducts.com