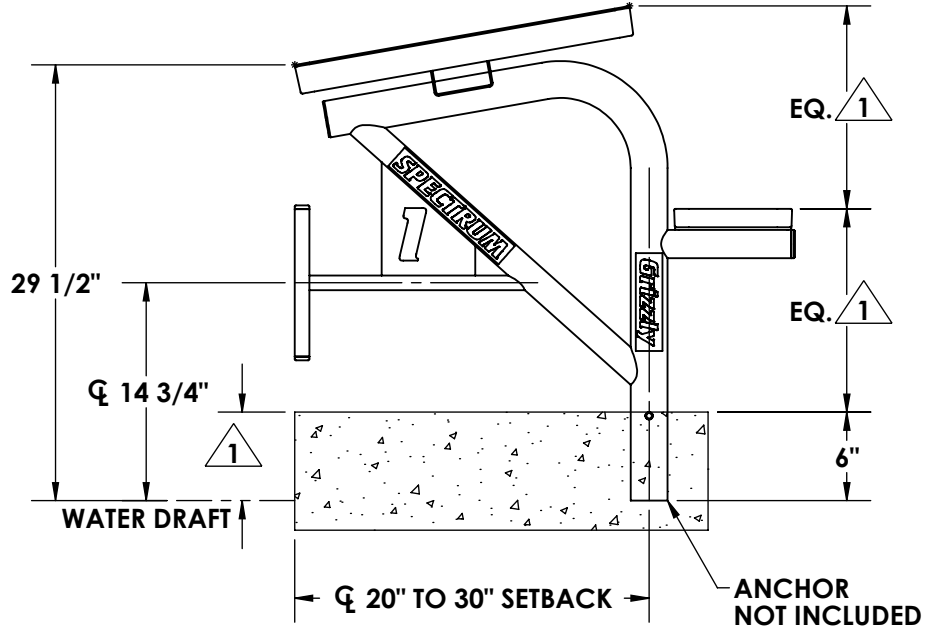
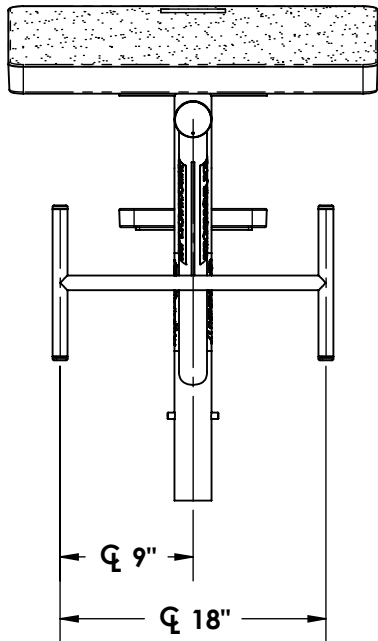
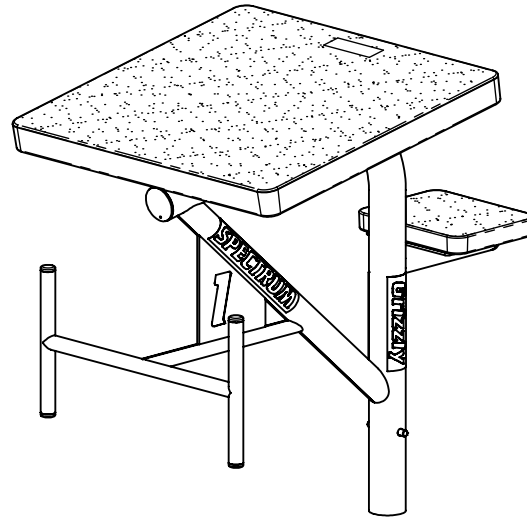
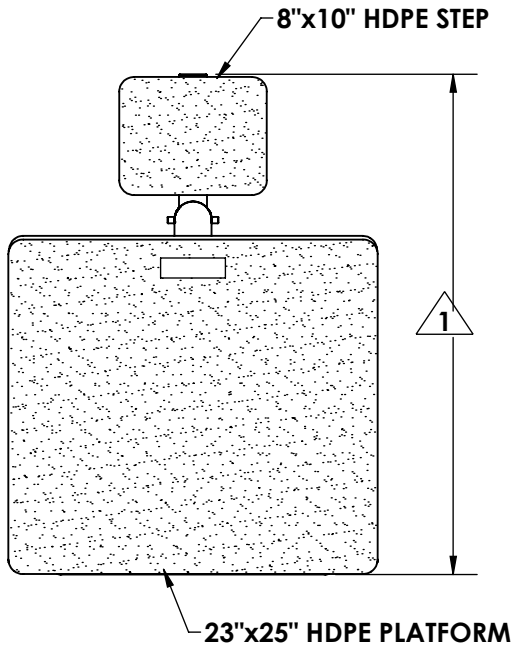


**STARTLINE
MODEL - GRIZZLY SP**



NOTE:

1 DIMENSIONS VARY WITH SPECIFIC APPLICATIONS.
SPECIFICATIONS ARE NOMINAL AND ARE SUBJECT TO CHANGE.
PLEASE CONTACT SPECTUM PRODUCTS FOR CUSTOM APPLICATIONS.

Starting Platform Grizzly, part number 21655

The starting platform shall be of the rear mount type, single post design, allowing for ease of removal, incorporating a machined bronze anchor assembly with a cover for use when starting platforms are removed. The platform shall be designed and tested to not deflect when burdened with a 350 lb. dynamic load.

The starting platform shall consist of the following components:

Platform Frame

The platform frame is to be fabricated of 2 ½" O.D. x ¼ wall thickness, 300 series stainless steel and is to be formed in one continuous length, no welded mitered joints will be allowed. It shall be designed to support a starting surface at 30" from water level. A backstroke bar shall be provided and shall be in an H bar configuration. The backstroke bar shall be 300 series stainless steel and shall be 18" wide and it will be located 14 ¾" from the water surface. Access step attachment bracket shall be 300 series stainless steel. All welds associated with the fabrications process are to be of the fusion T.I.G. type.

Platform Top

A high-density polyethylene top shall be provided with the platform. The top shall be 23" x 25" and it shall have a non-slip textured surface. The platform top shall slope toward the pool edge at a ten-degree angle; the front edge shall be 29 ½" from water level.

Step

An access step shall be provided and shall be 8" x 10" in size and shall be located halfway between the pool deck and the rear of the top platform. The step shall be molded of high-density polyethylene. The step shall have a non-slip textured surface.

Anchor

A single 3 ½" O.D. x 2 ½" I.D., bronze anchor sleeve shall support the starting platform assembly. The anchor shall have 2 ½" diameter locating slots in its top surface. The locating slots are to receive the rotation retention rod of the starting platform. The anchor shall be fitted with a grounding bolt for proper bonding. It shall also be provided with a tamper-resistant lid and lid removal tool.

Numbering

Lane numbers shall be applied so that they are visible from all four sides of the platform. The numbers shall be dark blue in color and shall be chemical and UV resistant vinyl.

Warranty

Two year limited warranty.