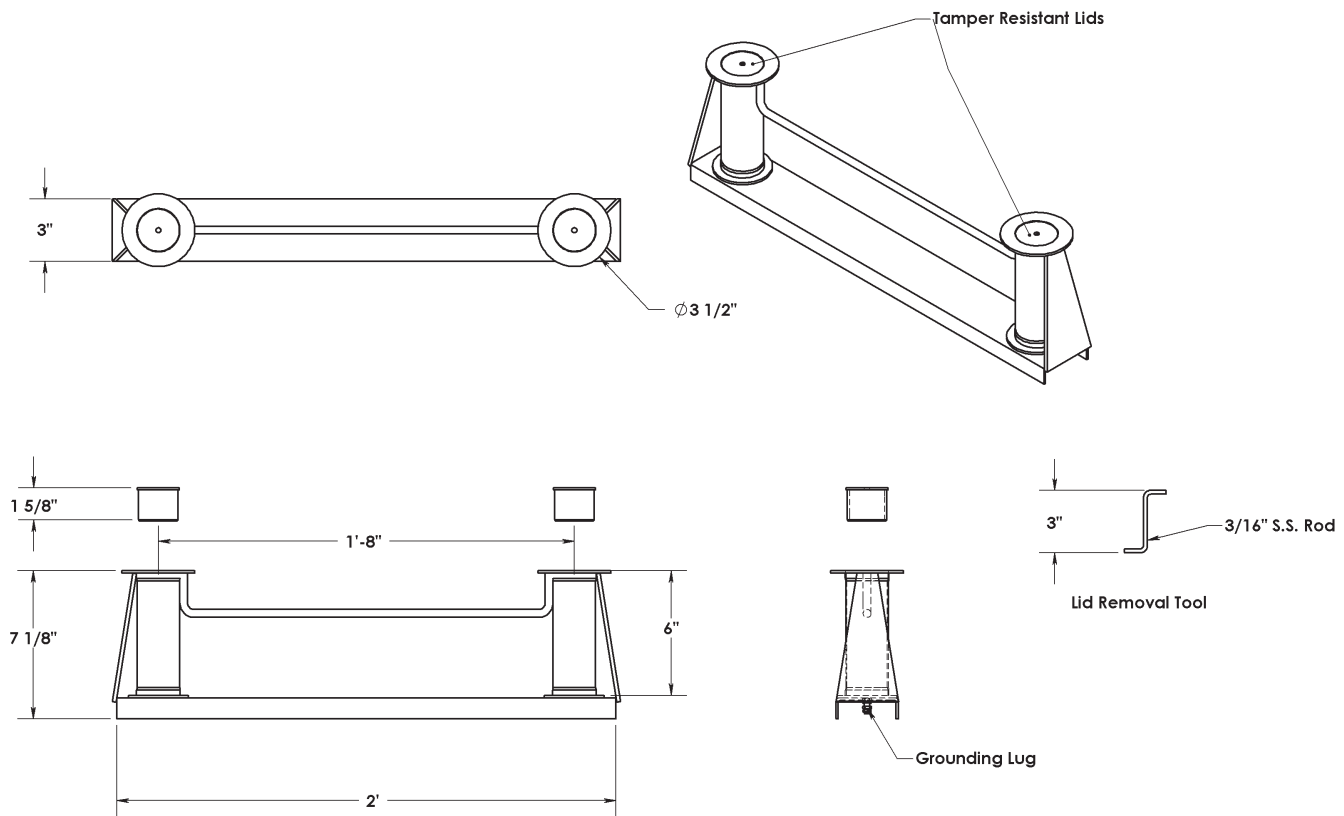


DUAL POST ANCHOR



**Note: Drawings not to scale. Specifications are nominal and are subject to change.*