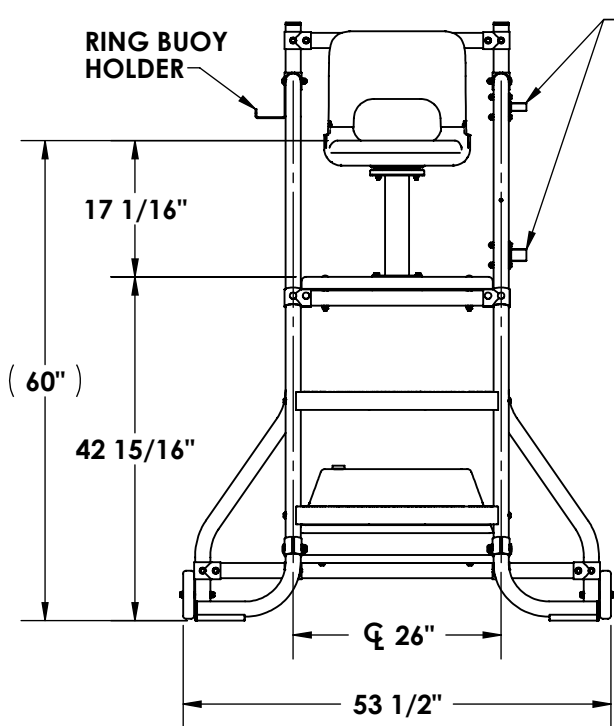
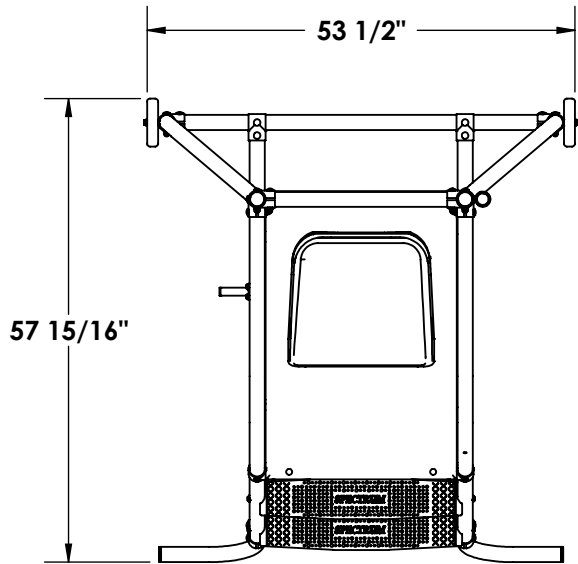
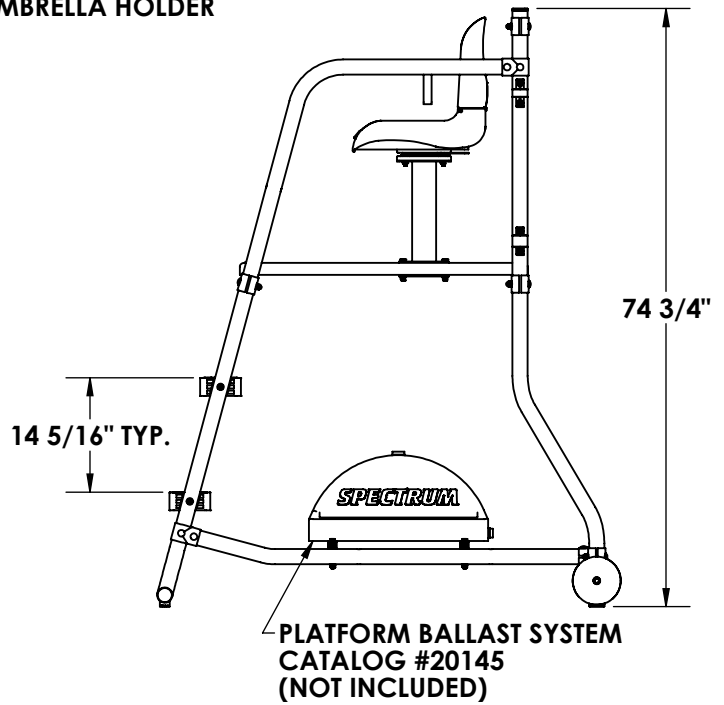


**GUARDIAN SERIES
MODEL - DISCOVERY 5'-0"**



UMBRELLA HOLDER



NOTE:

1 DIMENSIONS VARY WITH SPECIFIC APPLICATIONS.
SPECIFICATIONS ARE NOMINAL AND ARE SUBJECT TO CHANGE.
PLEASE CONTACT SPECTUM PRODUCTS FOR CUSTOM APPLICATIONS.

SPECTRUM
Products®

Lifeguard platform, 5-Foot Discovery, part number 20140

The lifeguard platform shall consist of the following components:

Lifeguard Platform Frame

The lifeguard platform frame is to be fabricated of 1.90" O.D. x 0.065" wall thickness 300 series stainless steel. All joints are to be secured using bolt through, 300 series stainless steel split tees. Mechanically fastened non-marking rubber pads are to be affixed to the bottom surface of the front legs.

Footboard

A solid composite footboard shall be provided with the lifeguard platform. The footboard shall be 24" x 36", shall be manufactured using closed mold vacuum infusion resin transfer (RTM) technique, and designed to incorporate closed cell urethane foam as its inner core. The surface texture of the footboard shall be molded in, shall be a diamond pattern, and shall prevent slipping.

Steps

Two (2), 15-degree step treads shall be provided. They shall be 26" wide, have an integral non-slip top surface, and shall be injection molded using U.V. stabilized ABS plastic.

Seat Assembly

The seat shall be 18" high, 18" wide and 17 ¾" deep and shall be a double contour design for prolonged seating comfort. Closed cell, UV protected, foam padding shall be provided. The seat shall fold down when not in use to keep seat surface cool and retard use by unauthorized individuals. Fold down shall be a "No-Pinch" hinge with stainless-steel hinge pins. The seat shall swivel and be readily removable from a permanently installed base and shall be provided with a means for securing the seat. The seat assembly shall be white in color.

Umbrella and Ring Buoy Holders

One (1)-umbrella holder and one (1)-ring buoy holder shall be provided. Each shall be fabricated from 300 series stainless steel.

Wheels

Two 6" diameter wheels shall be provided. The wheels shall be attached to the rear legs of the lifeguard platform, using stainless steel hardware, and will allow for ease of transport when the platform is tilted rearward.

Warranty

Two year limited warranty.

