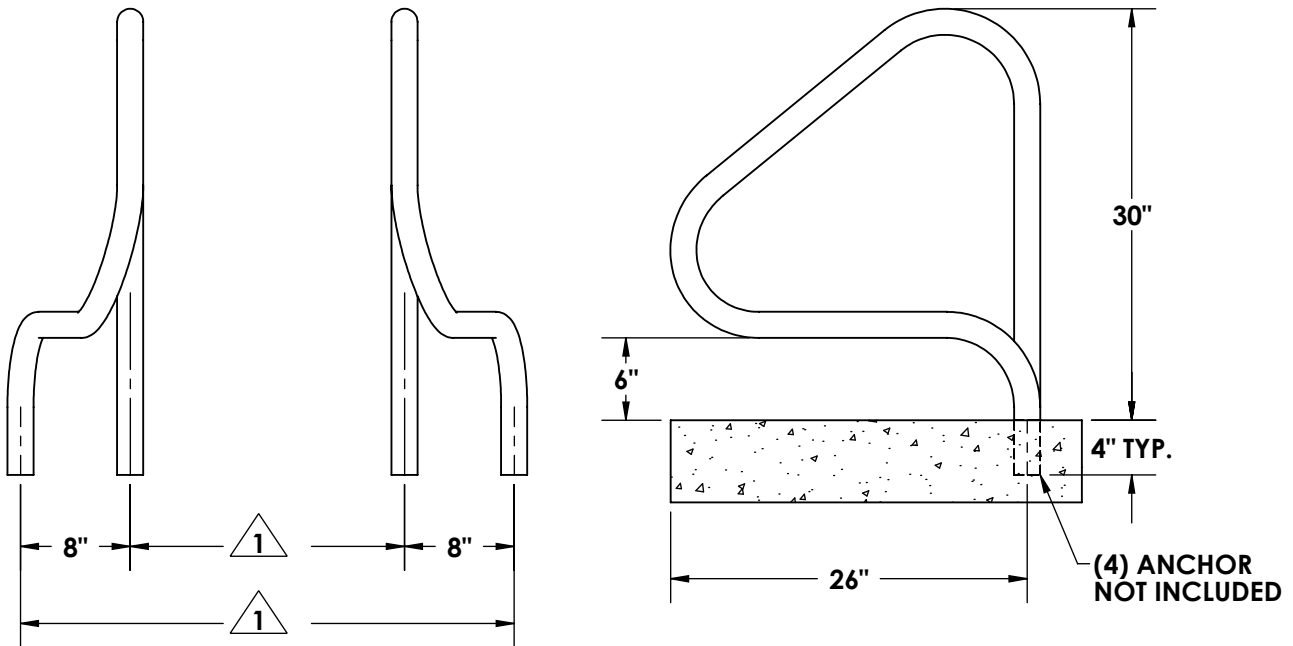
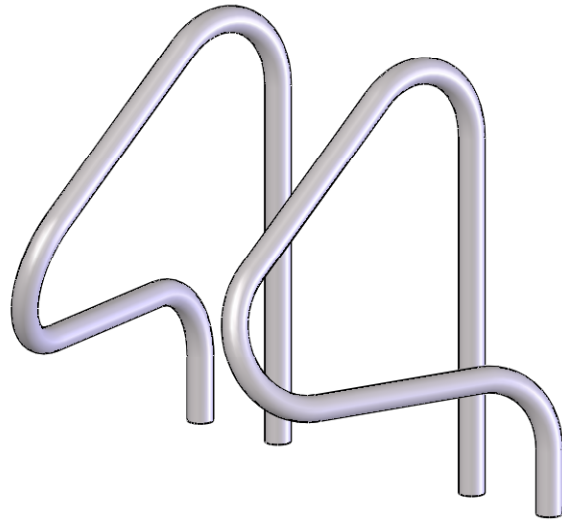


**GRAB RAILS
MODEL - CISCO 26"**



NOTE:

1 DIMENSIONS VARY WITH SPECIFIC APPLICATIONS.
SPECIFICATIONS ARE NOMINAL AND ARE SUBJECT TO CHANGE.
PLEASE CONTACT SPECTUM PRODUCTS FOR CUSTOM APPLICATIONS.

Grab Rails, Cisco 26", part number 35121

Rails

The grab rails shall be fabricated of 1.90" O.D. or 1.5" O.D. x .065", .109", .145", .083" or .120" wall thickness 300 series stainless steel. The grab rails shall be designed for a setback of 17" or 26" from pool edge. Sold as pairs.

Anchors and Escutcheons

The grab rails shall be supported by four (4) 4" bronze wedge anchors and four (4) stainless steel keyhole escutcheons.

Warranty

Two year limited warranty.