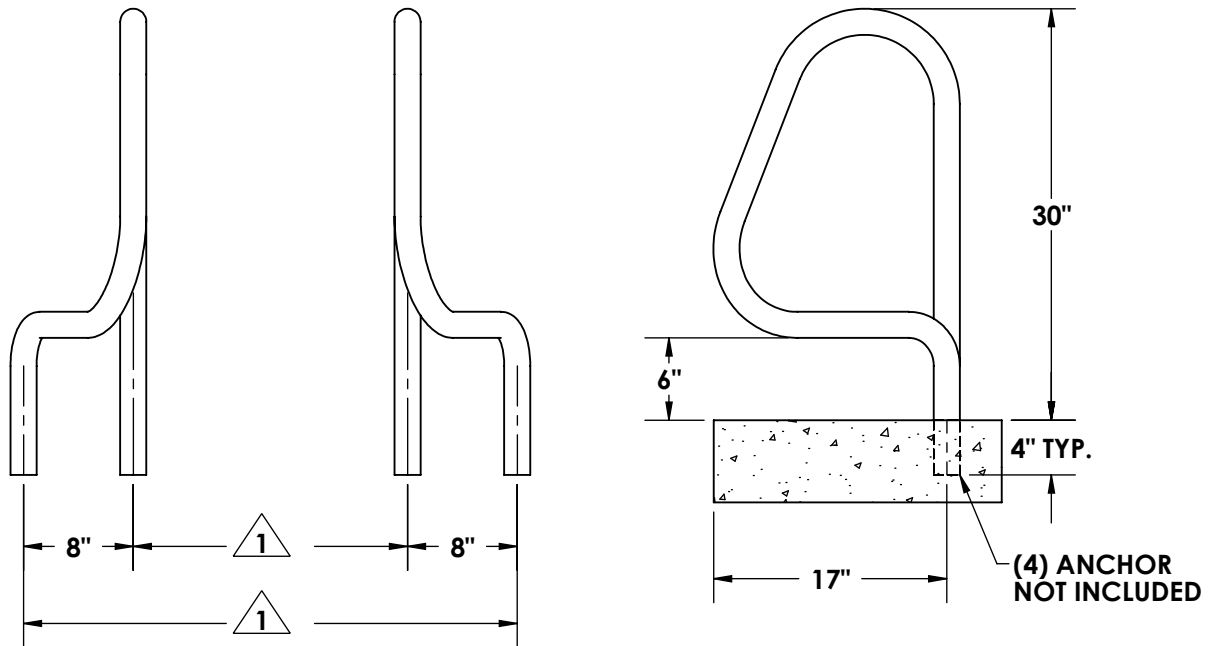
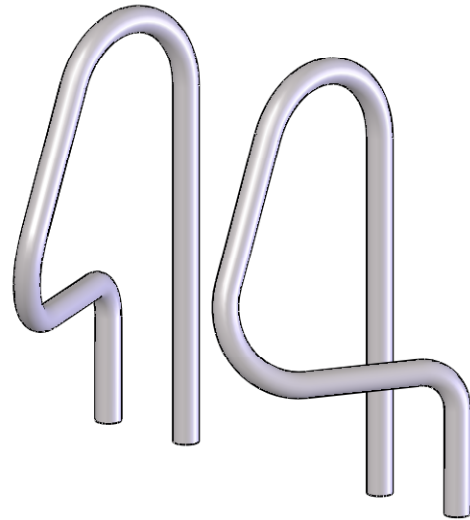


**GRAB RAILS  
MODEL - CISCO 17"**



**NOTE:**

**1** DIMENSIONS VARY WITH SPECIFIC APPLICATIONS.  
SPECIFICATIONS ARE NOMINAL AND ARE SUBJECT TO CHANGE.  
PLEASE CONTACT SPECTUM PRODUCTS FOR CUSTOM APPLICATIONS.

## **Grab Rails, Cisco 17", part number 35117**

### **Rails**

The grab rails shall be fabricated of 1.90" O.D. or 1.5" O.D. x .065", .109", .145", .083" or .120 wall thickness 300 series stainless steel. The grab rails shall be designed for a setback of 17" or 26" from pool edge. Sold as pairs.

### **Anchors and Escutcheons**

The grab rails shall be supported by four (4) 4" bronze wedge anchors and four (4) stainless steel keyhole escutcheons.

### **Warranty**

Two year limited warranty.