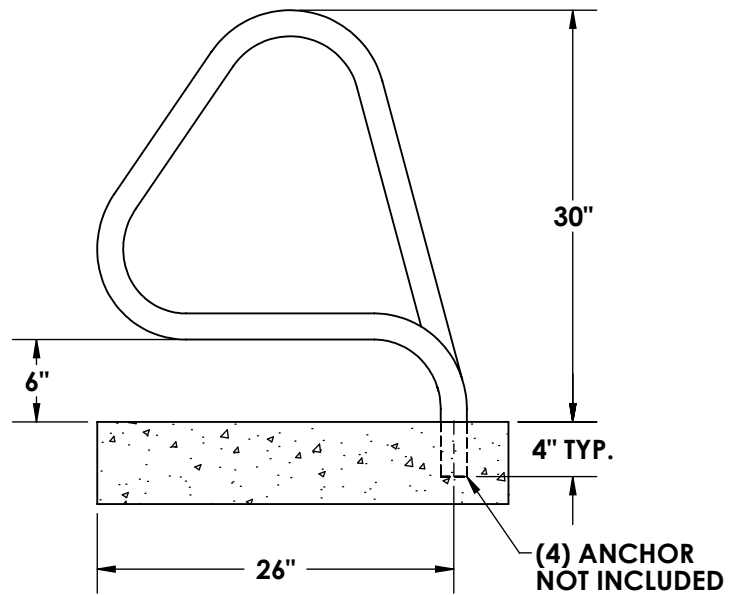
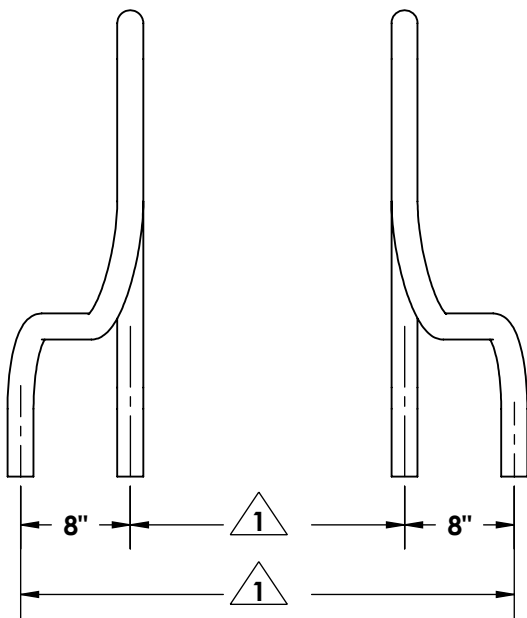
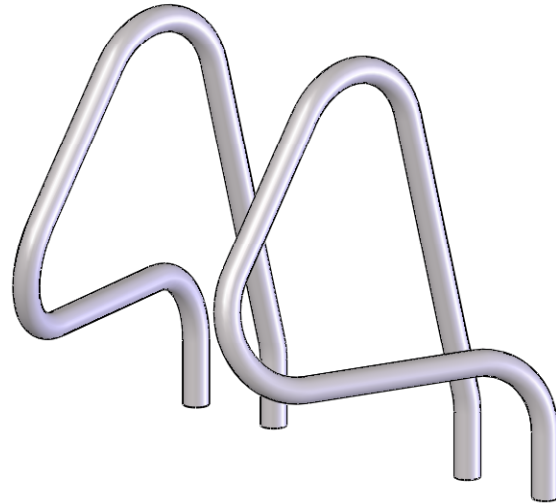


**GRAB RAILS
MODEL - BURBOT 26"**



NOTE:

1 DIMENSIONS VARY WITH SPECIFIC APPLICATIONS.
SPECIFICATIONS ARE NOMINAL AND ARE SUBJECT TO CHANGE.
PLEASE CONTACT SPECTUM PRODUCTS FOR CUSTOM APPLICATIONS.

Grab Rails, Burbot 26", part number 35113

Rails

The grab rails shall be fabricated of 1.90" O.D. or 1.5" x .065", .109", .145", .083" or .120" wall thickness 300 series stainless steel. The grab rails shall be designed for a setback of 26" from pool edge. Sold as pairs.

Anchors and Escutcheons

The grab rails shall be supported by four (4) 4" bronze wedge anchors and four (4) stainless steel keyhole escutcheons.

Warranty

Two year limited warranty.