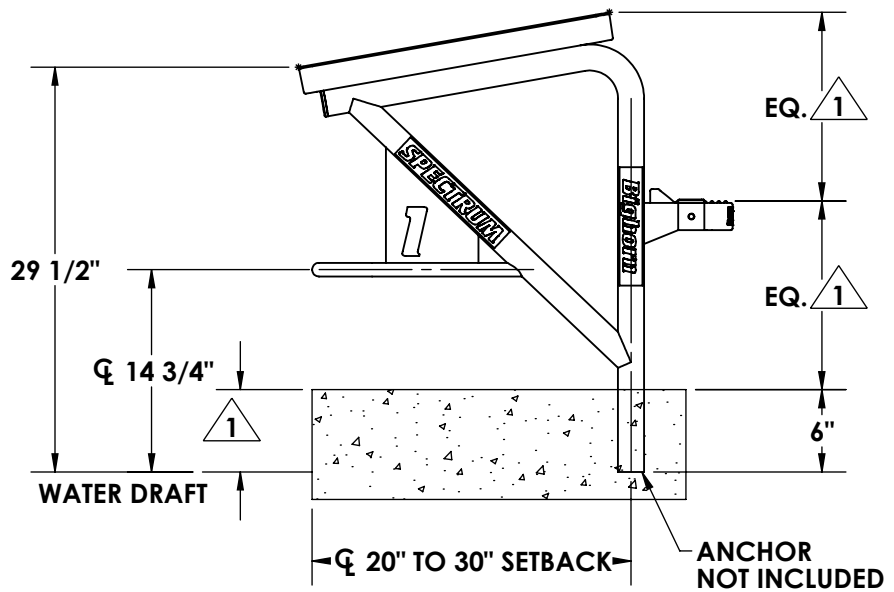
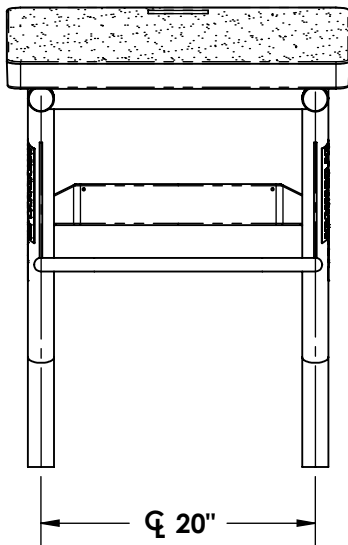
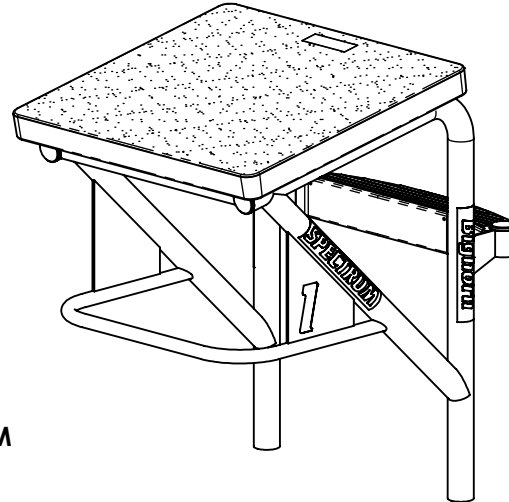
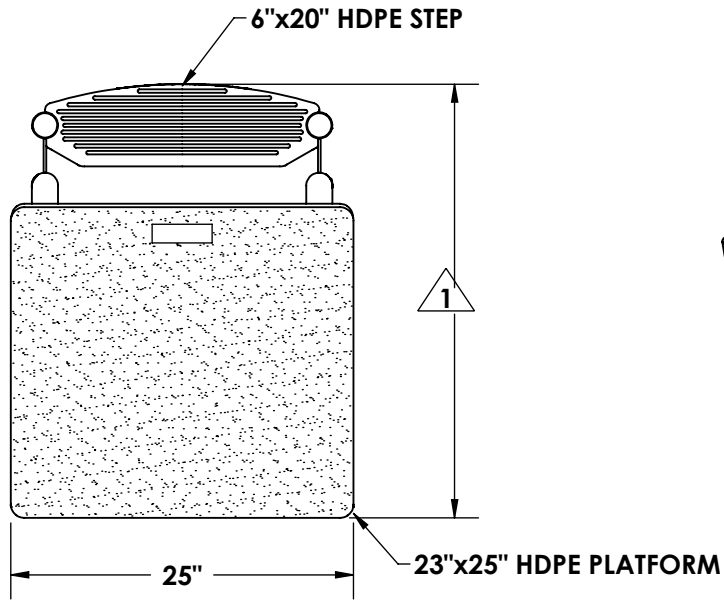


**STARTLINE  
MODEL - BIGHORN DP**



**NOTE:**

1 DIMENSIONS VARY WITH SPECIFIC APPLICATIONS.  
SPECIFICATIONS ARE NOMINAL AND ARE SUBJECT TO CHANGE.  
PLEASE CONTACT SPECTUM PRODUCTS FOR CUSTOM APPLICATIONS.

## **Starting platform Bighorn, part number 21095**

The starting platform shall be of the dual post design, allowing for ease of removal, incorporating a stainless steel anchor assembly with a cover for use when starting platforms are removed.

The starting platform shall consist of the following components:

### **Platform Frame**

The platform frame is to be fabricated of 1.90" O.D. x 1.61" I.D. 300 series stainless steel and is to be formed in one continuous length, no welded mitered joints will be allowed. A backstroke bar shall be provided and shall be located parallel to the top platform front edge. The backstroke bar shall be 300 series stainless steel and shall be 24" wide and it will be located halfway from the water surface. Access step attachment brackets shall be 300 series stainless steel. All welds associated with the fabrication process are to be of the fusion T.I.G. type.

### **Platform Top**

A high-density polyethylene top shall be provided with the platform. The top shall be 23" x 25" and it shall have a non-slip textured surface. The platform top shall slope toward the pool edge at a ten-degree angle.

### **Step**

An access step shall be provided and shall be 20" wide, having 83.25-square inches of surface area, and shall be equipped with a step reference locator. The tread top shall have a molded in non-slip top surface, and shall incorporate molded nut inserts, eliminating the need for exterior nuts and sharp surfaces. The treads shall be rotationally molded using U.V. stabilized high-density polyethylene. The tread shall be located halfway between the pool deck and the rear of the top platform.

### **Numbering**

Lane numbers shall be applied so that they are visible from all four sides of the platform. The numbers shall be dark blue in color, Pantone number 072, and shall be chemical and UV resistant vinyl.

### **Anchor**

Two 2.06" O.D. x 1.90" I.D., 300 series stainless steel anchor sleeves shall support the starting platform assembly. The sleeves shall be mounted to a 12-gauge, 300 series stainless channel, 20" on center. The top of the sleeves shall be reinforced with a 3/8" stainless steel rod. The anchor shall be fitted with a grounding bolt for proper bonding. Each anchor shall be equipped with a tamper-resistant lids and lid removal tools.

### **Warranty**

Two year limited warranty.