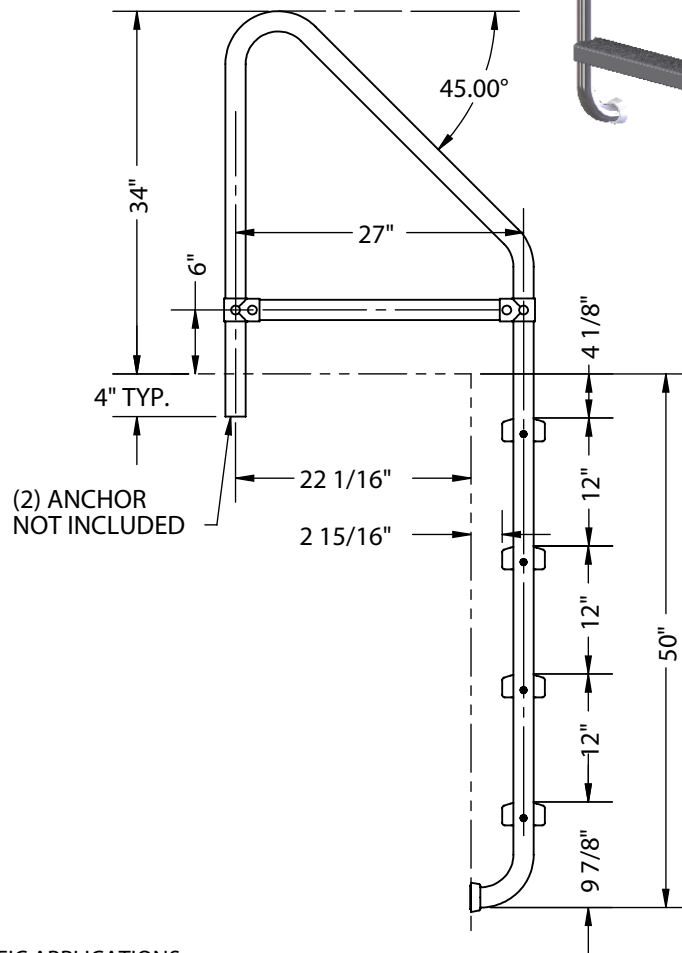
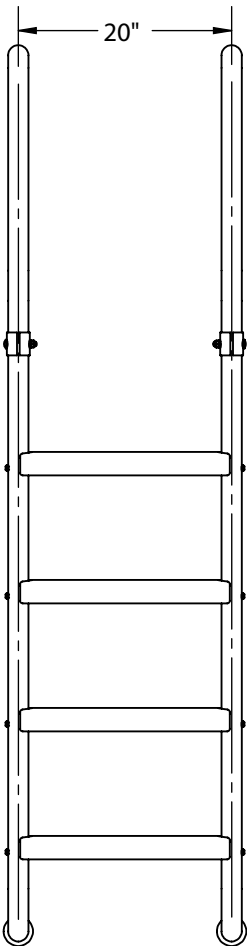
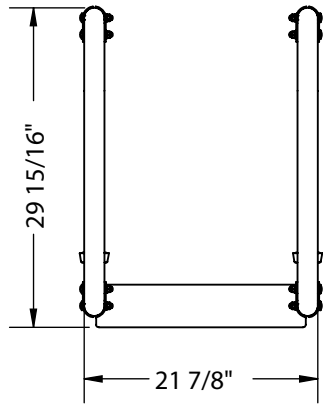


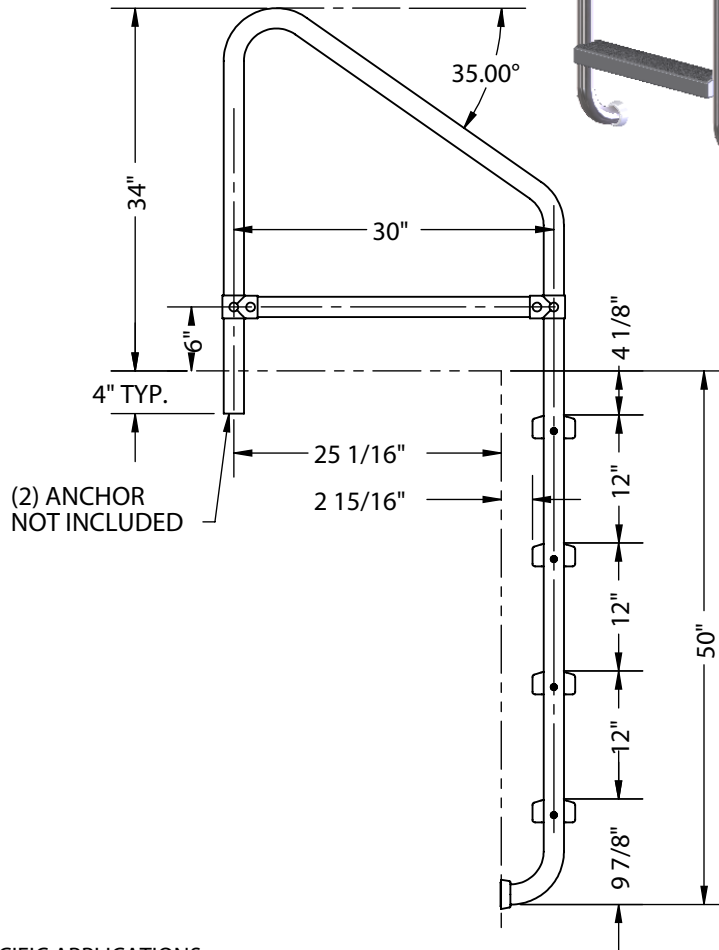
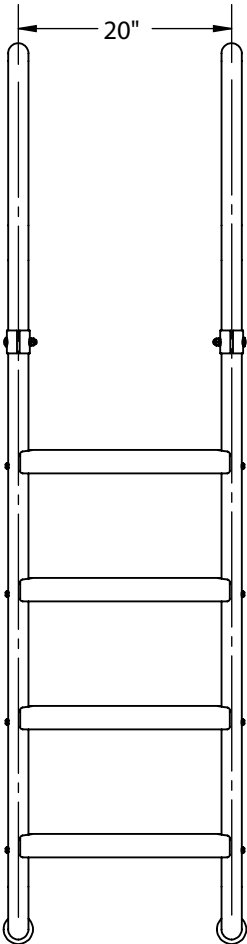
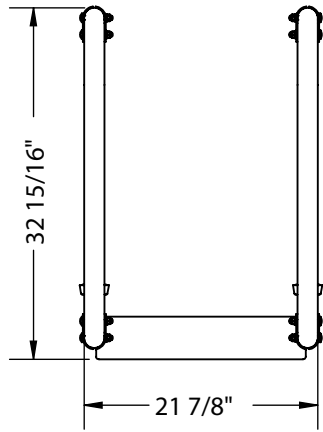
(2) ANCHOR NOT INCLUDED

NOTE:  
 1 DIMENSIONS VARY WITH SPECIFIC APPLICATIONS.  
 SPECIFICATIONS ARE NOMINAL AND ARE SUBJECT TO CHANGE.  
 PLEASE CONTACT SPECTUM PRODUCTS FOR CUSTOM APPLICATIONS.



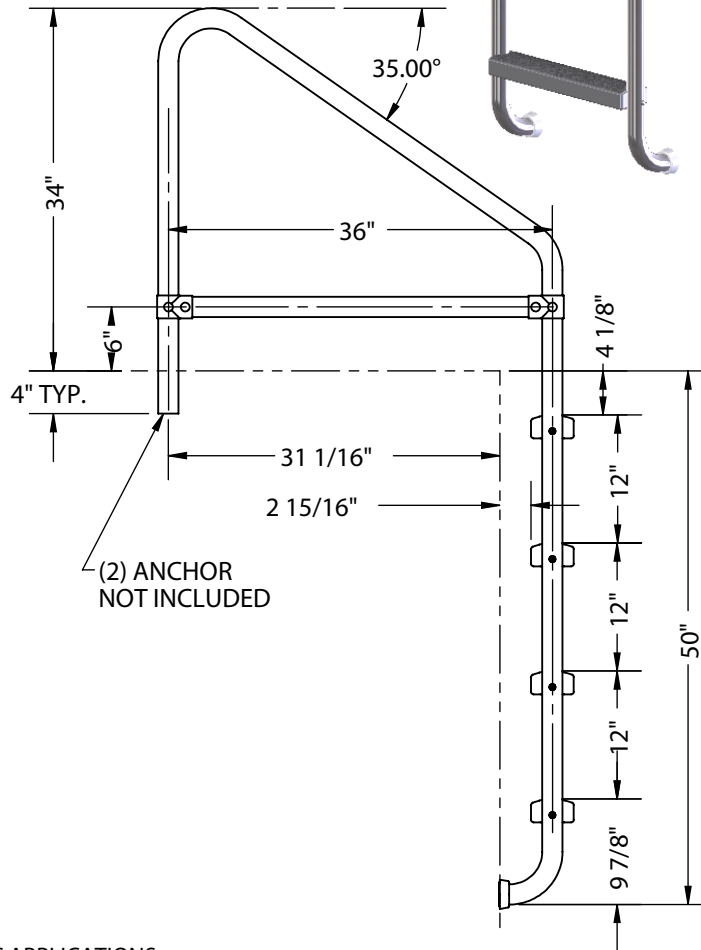
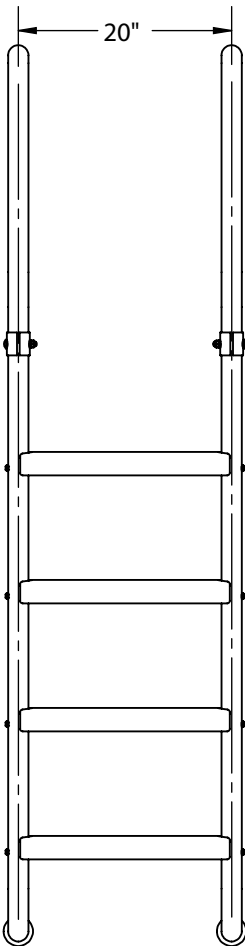
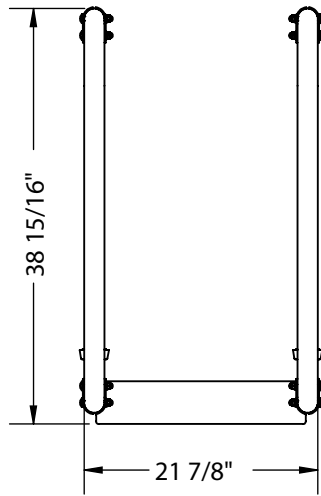
(2) ANCHOR NOT INCLUDED

NOTE:  
 1 DIMENSIONS VARY WITH SPECIFIC APPLICATIONS.  
 SPECIFICATIONS ARE NOMINAL AND ARE SUBJECT TO CHANGE.  
 PLEASE CONTACT SPECTRUM PRODUCTS FOR CUSTOM APPLICATIONS.



NOTE:

1 DIMENSIONS VARY WITH SPECIFIC APPLICATIONS.  
 SPECIFICATIONS ARE NOMINAL AND ARE SUBJECT TO CHANGE.  
 PLEASE CONTACT SPECTRUM PRODUCTS FOR CUSTOM APPLICATIONS.



NOTE:

1 DIMENSIONS VARY WITH SPECIFIC APPLICATIONS.  
 SPECIFICATIONS ARE NOMINAL AND ARE SUBJECT TO CHANGE.  
 PLEASE CONTACT SPECTRUM PRODUCTS FOR CUSTOM APPLICATIONS.