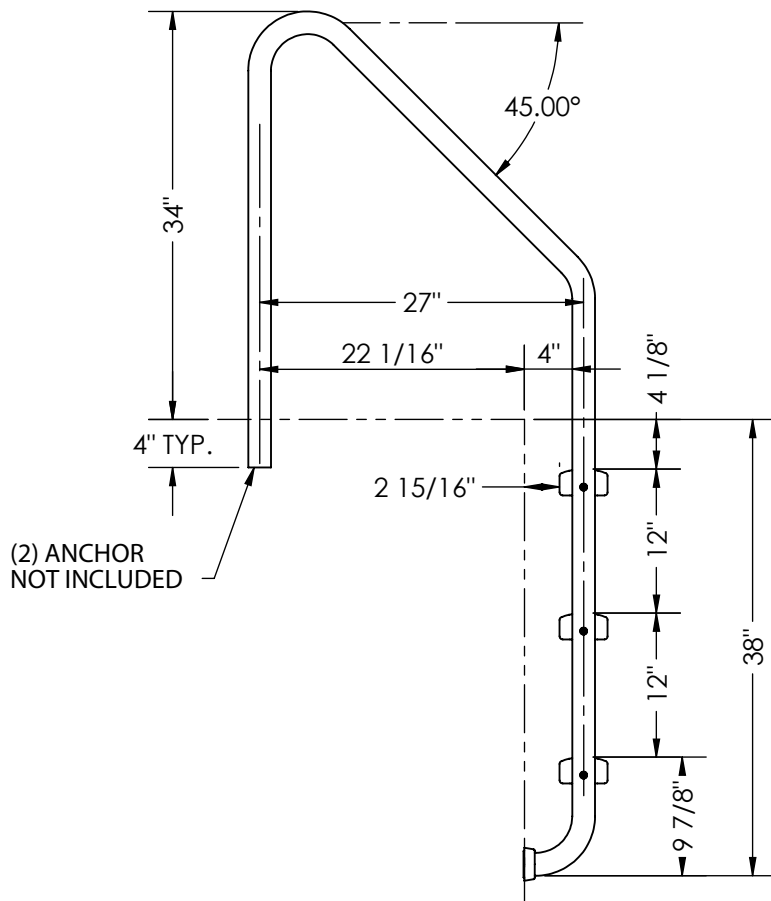
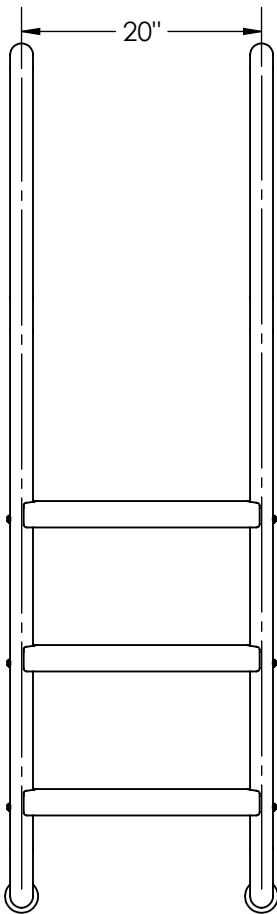
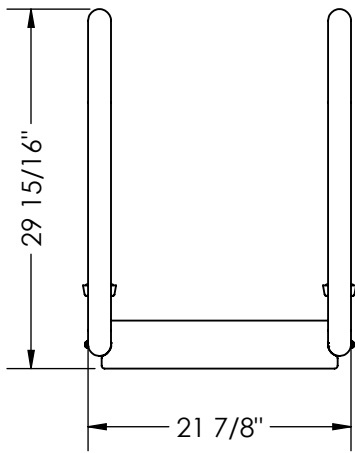


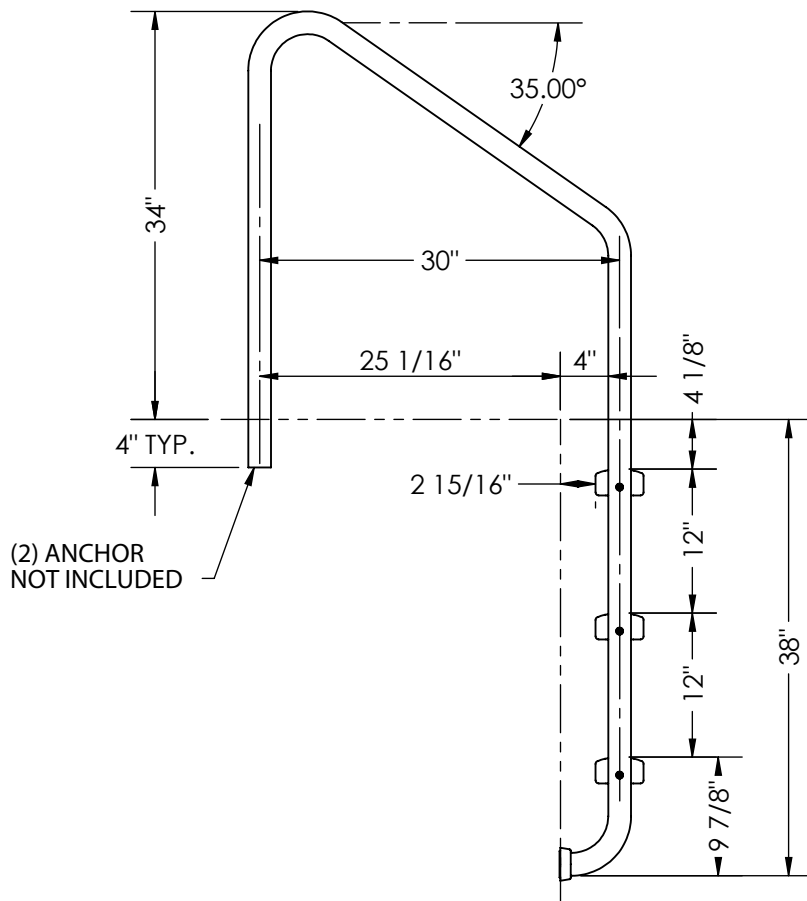
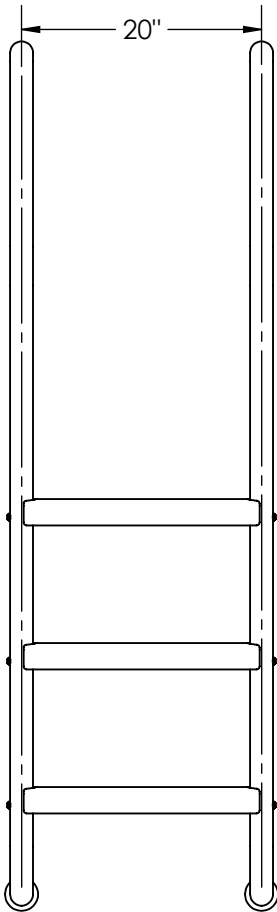
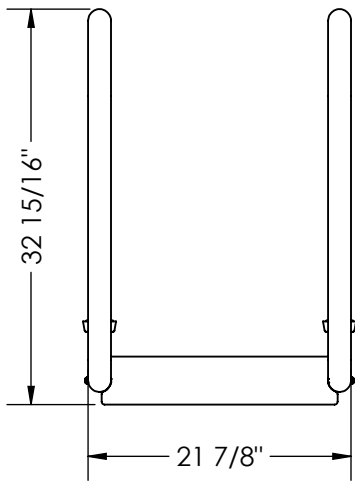
NOTE:

1 DIMENSIONS VARY WITH SPECIFIC APPLICATIONS.  
 SPECIFICATIONS ARE NOMINAL AND ARE SUBJECT TO CHANGE.  
 PLEASE CONTACT SPECTUM PRODUCTS FOR CUSTOM APPLICATIONS.



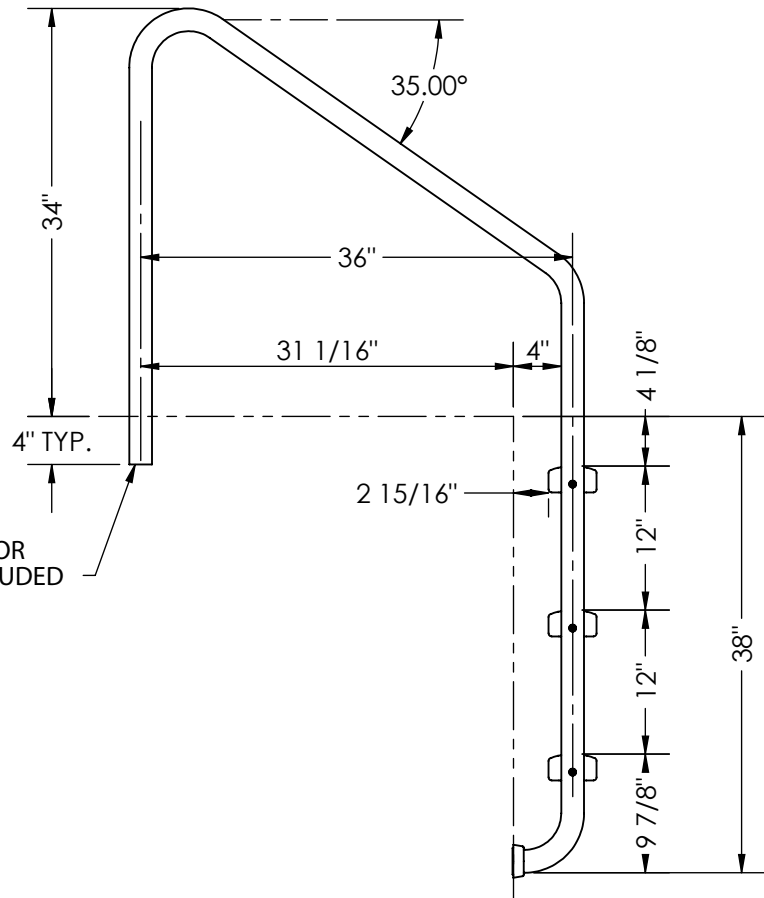
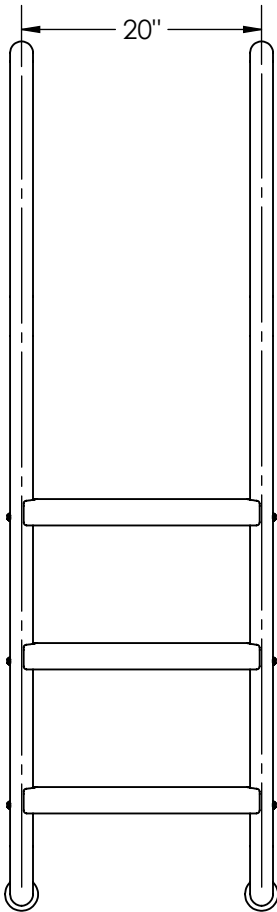
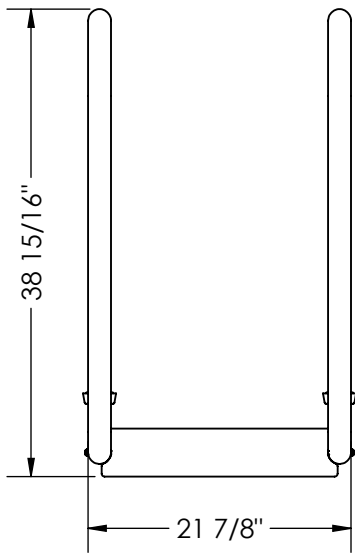
NOTE:

1 DIMENSIONS VARY WITH SPECIFIC APPLICATIONS.  
 SPECIFICATIONS ARE NOMINAL AND ARE SUBJECT TO CHANGE.  
 PLEASE CONTACT SPECTUM PRODUCTS FOR CUSTOM APPLICATIONS.



NOTE:

1 DIMENSIONS VARY WITH SPECIFIC APPLICATIONS.  
 SPECIFICATIONS ARE NOMINAL AND ARE SUBJECT TO CHANGE.  
 PLEASE CONTACT SPECTUM PRODUCTS FOR CUSTOM APPLICATIONS.



(2) ANCHOR  
NOT INCLUDED

NOTE:

1 DIMENSIONS VARY WITH SPECIFIC APPLICATIONS.  
SPECIFICATIONS ARE NOMINAL AND ARE SUBJECT TO CHANGE.  
PLEASE CONTACT SPECTUM PRODUCTS FOR CUSTOM APPLICATIONS.