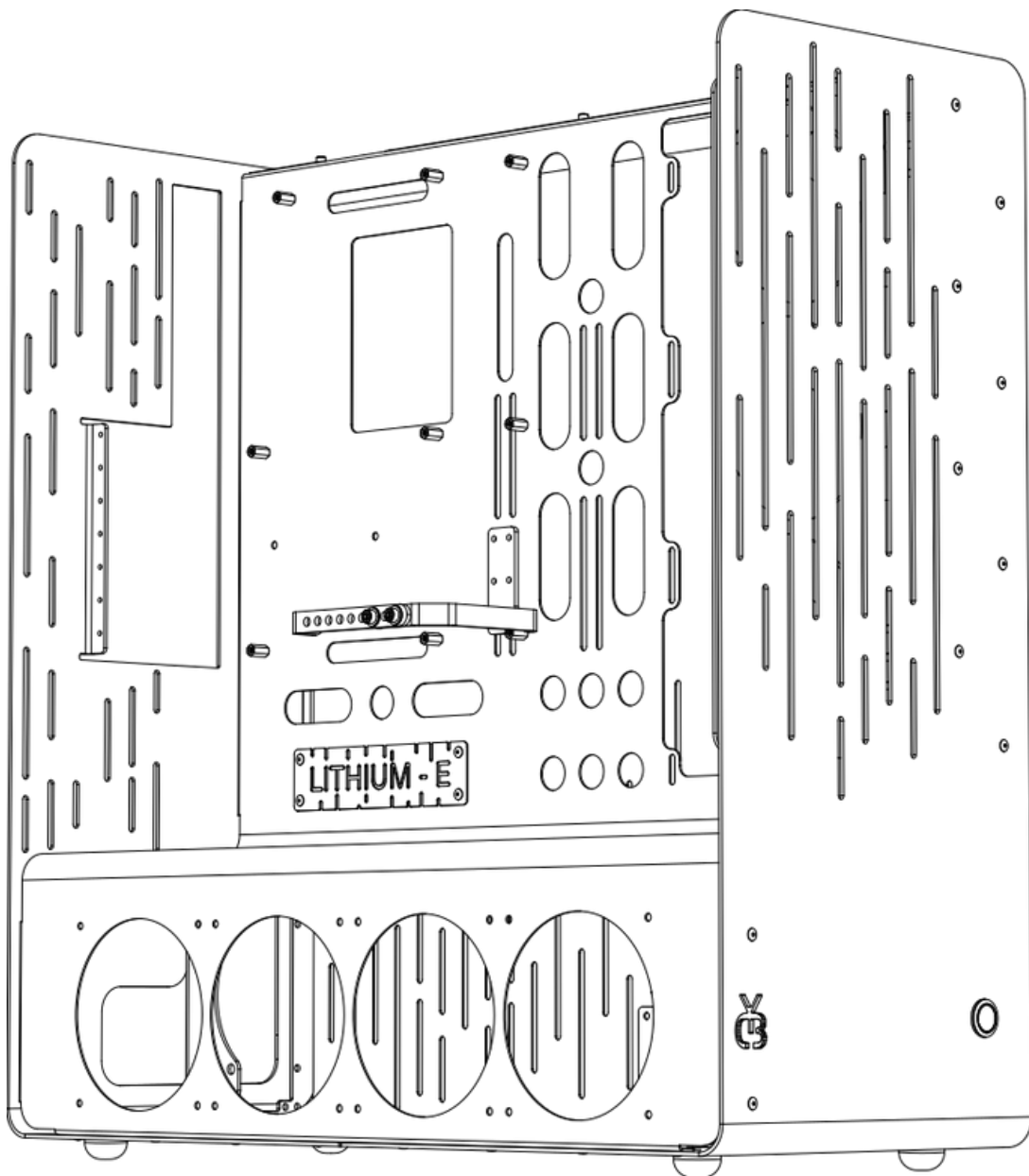
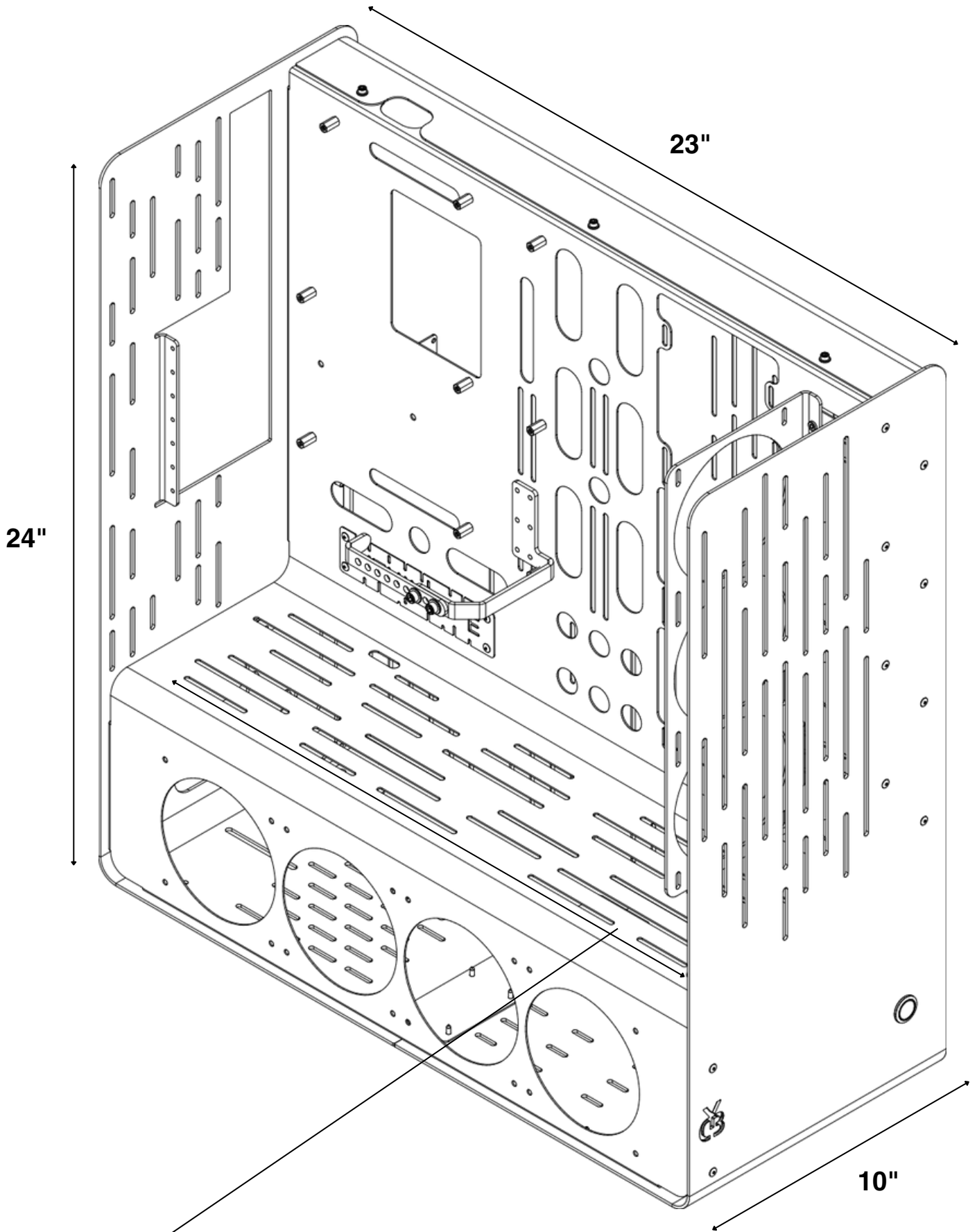


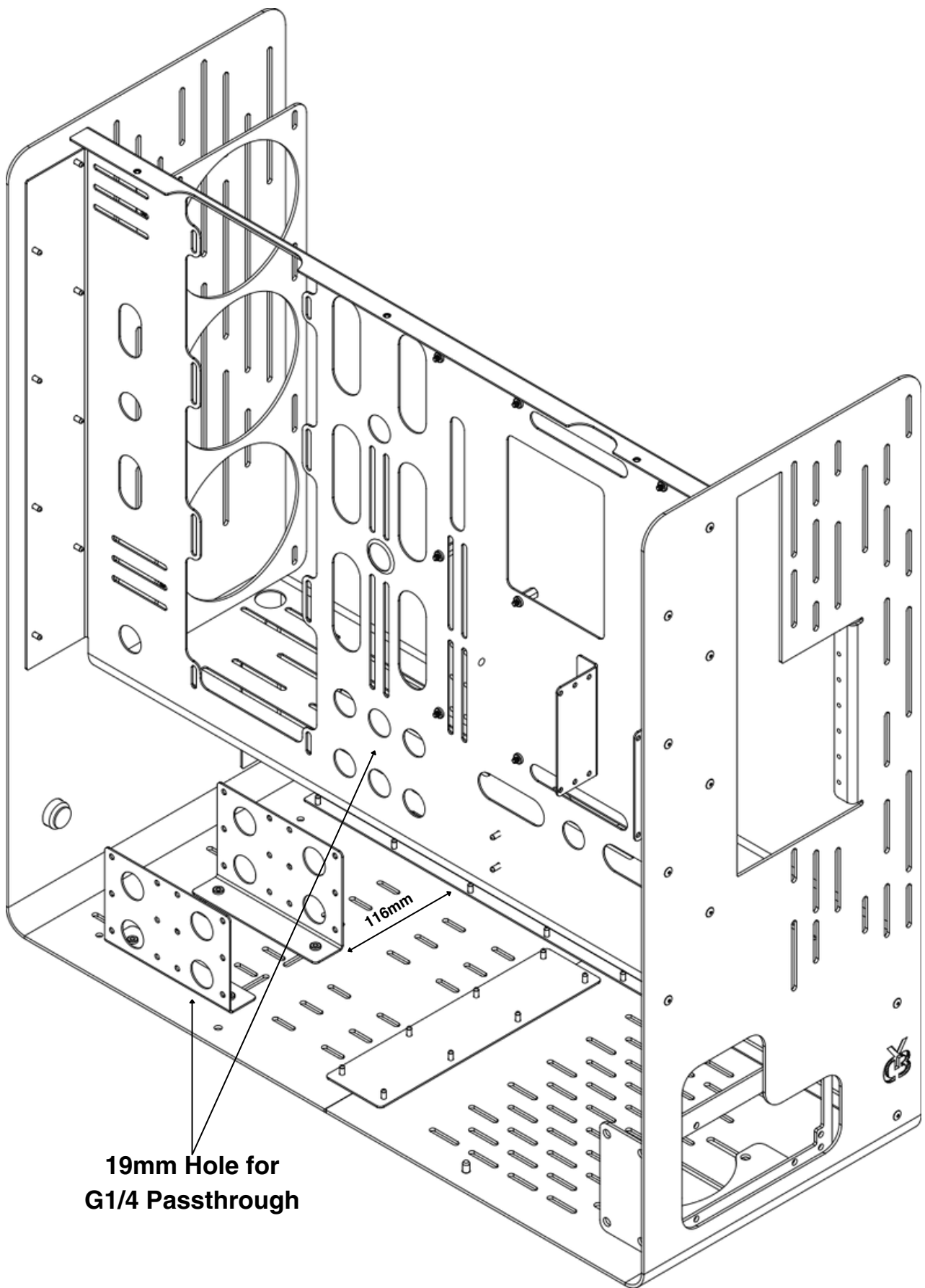


LITHIUM-E





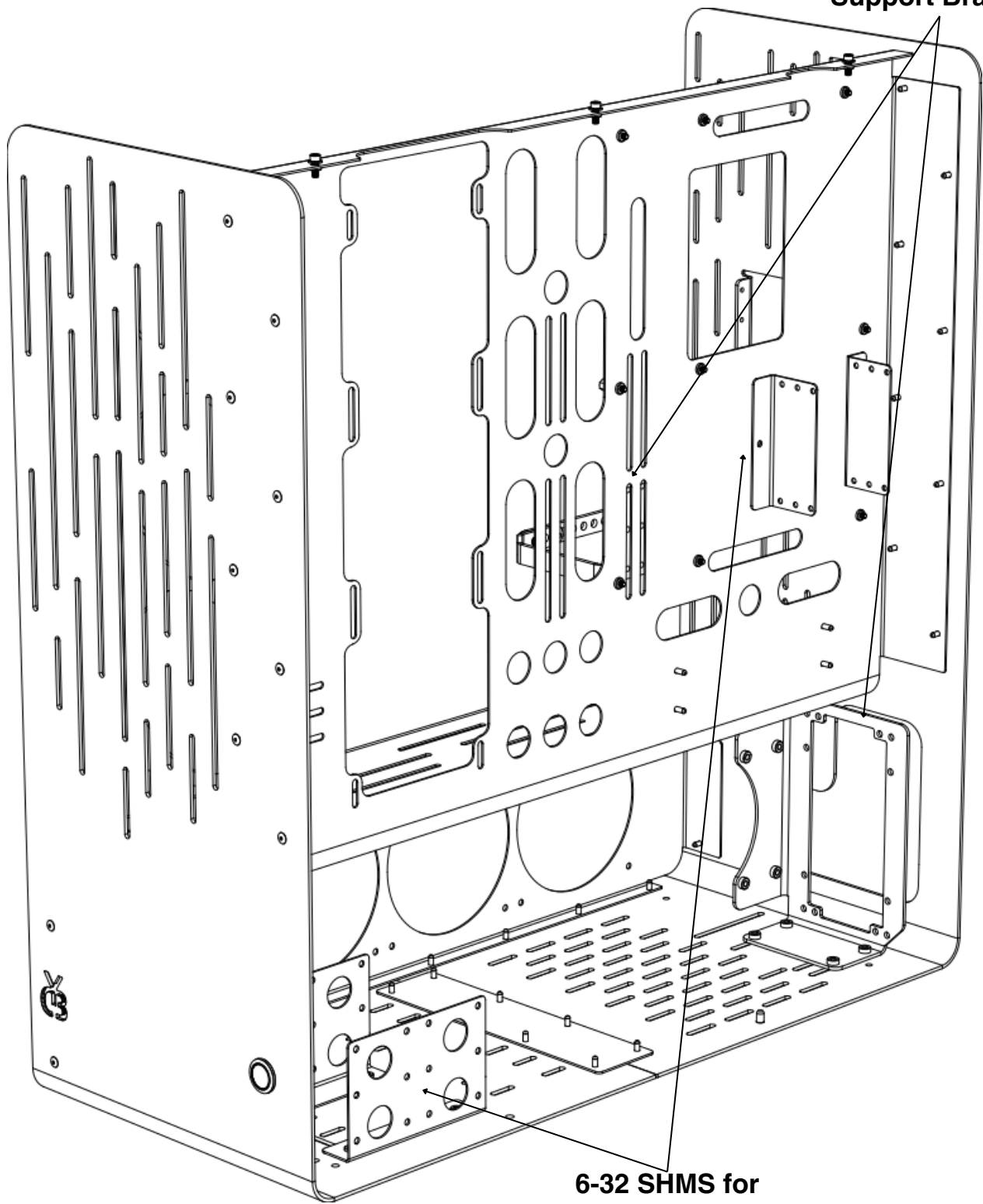
360mm Fan Slot Pattern
65mm D5 Slot Pattern



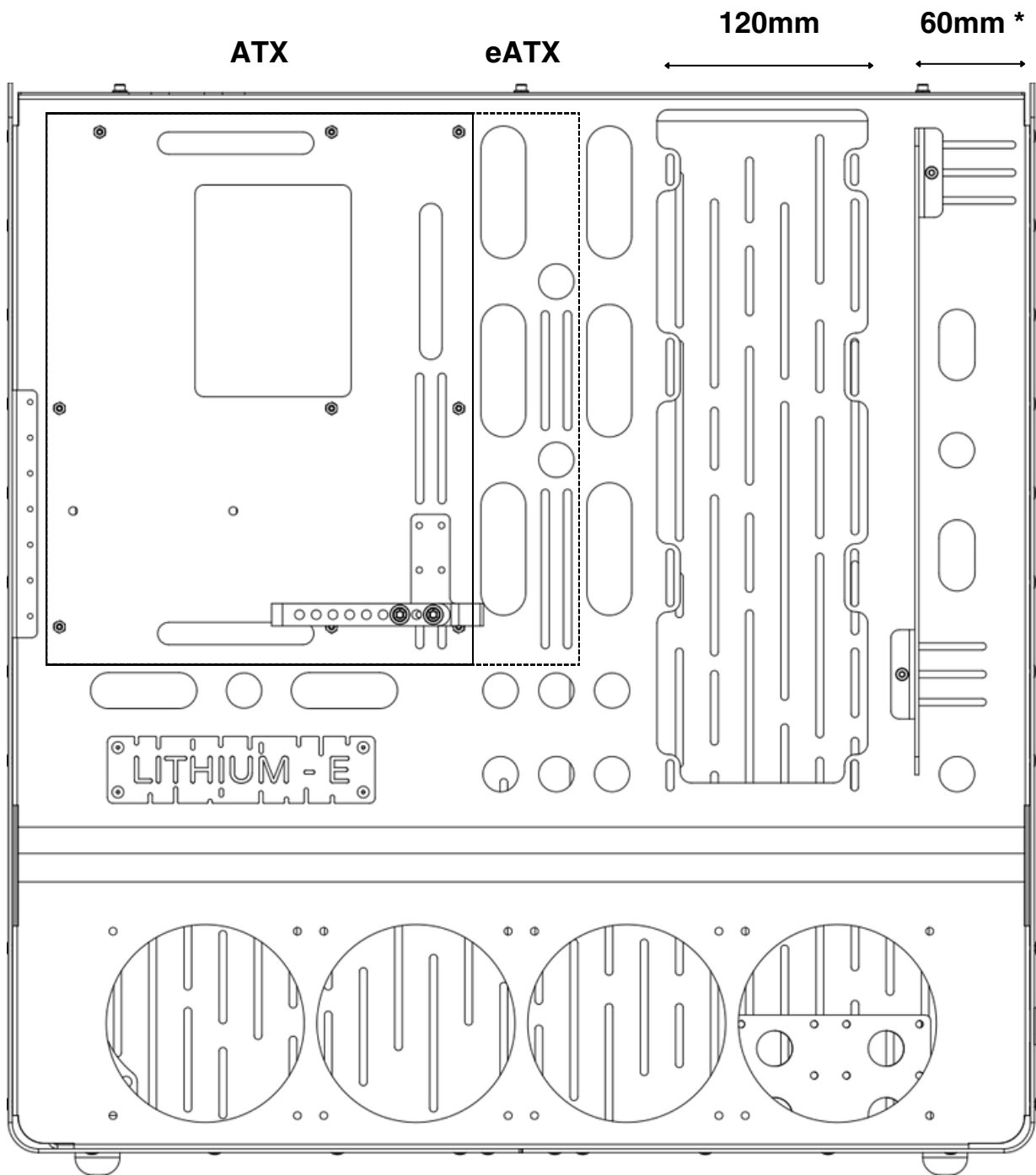
**19mm Hole for
G1/4 Passthrough**

HDD Storage brackets can jog approximately 20mm. At their closest position (as pictured) to the back panel there is about 116mm of distance from the brackets to the inside of the case.

**8-32 SHMS for
PSU & GPU
Support Bracket**



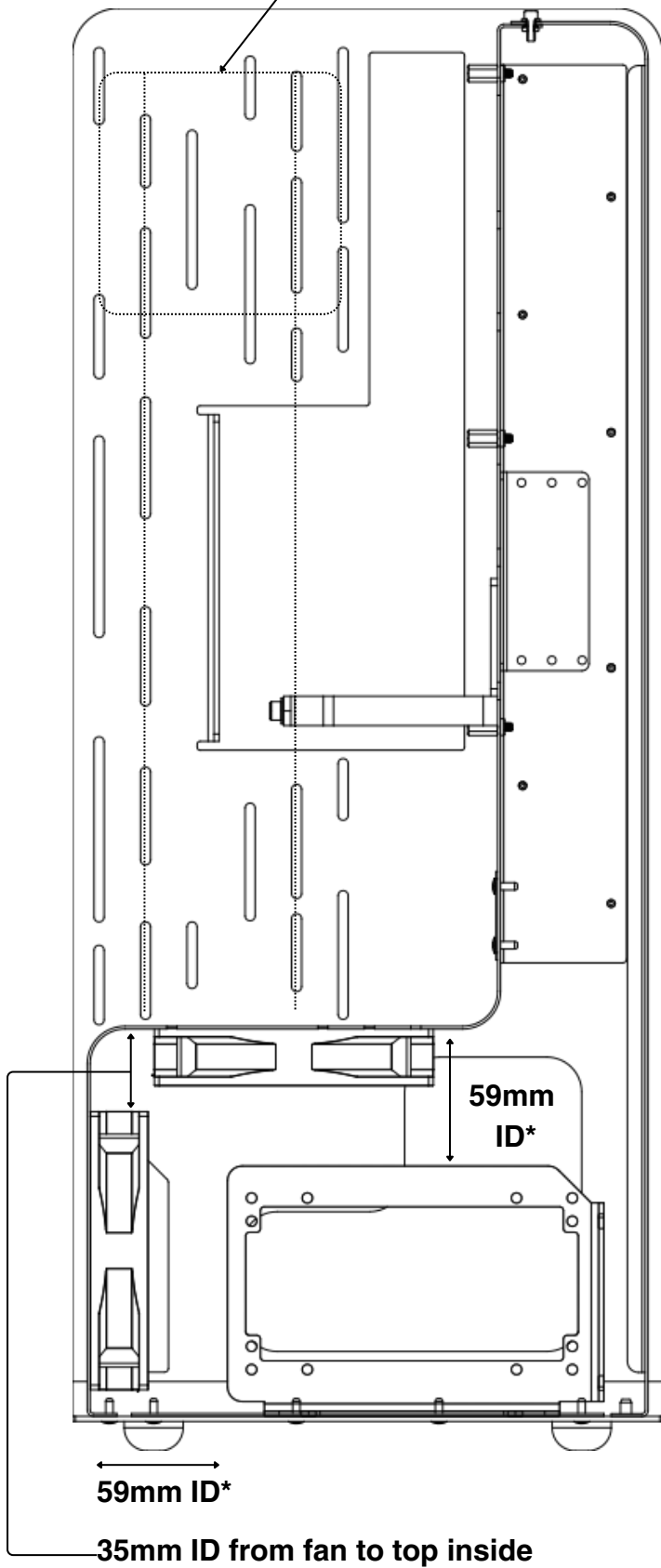
**6-32 SHMS for
HDD & SSD
Brackets**



To accommodate as many configurations as possible, the radiator bracket has the ability to move left to right. It can jog a total of 45mm and has a minimum distance from the front of the case of **18.5mm**, and a maximum distance of **63.5mm**.

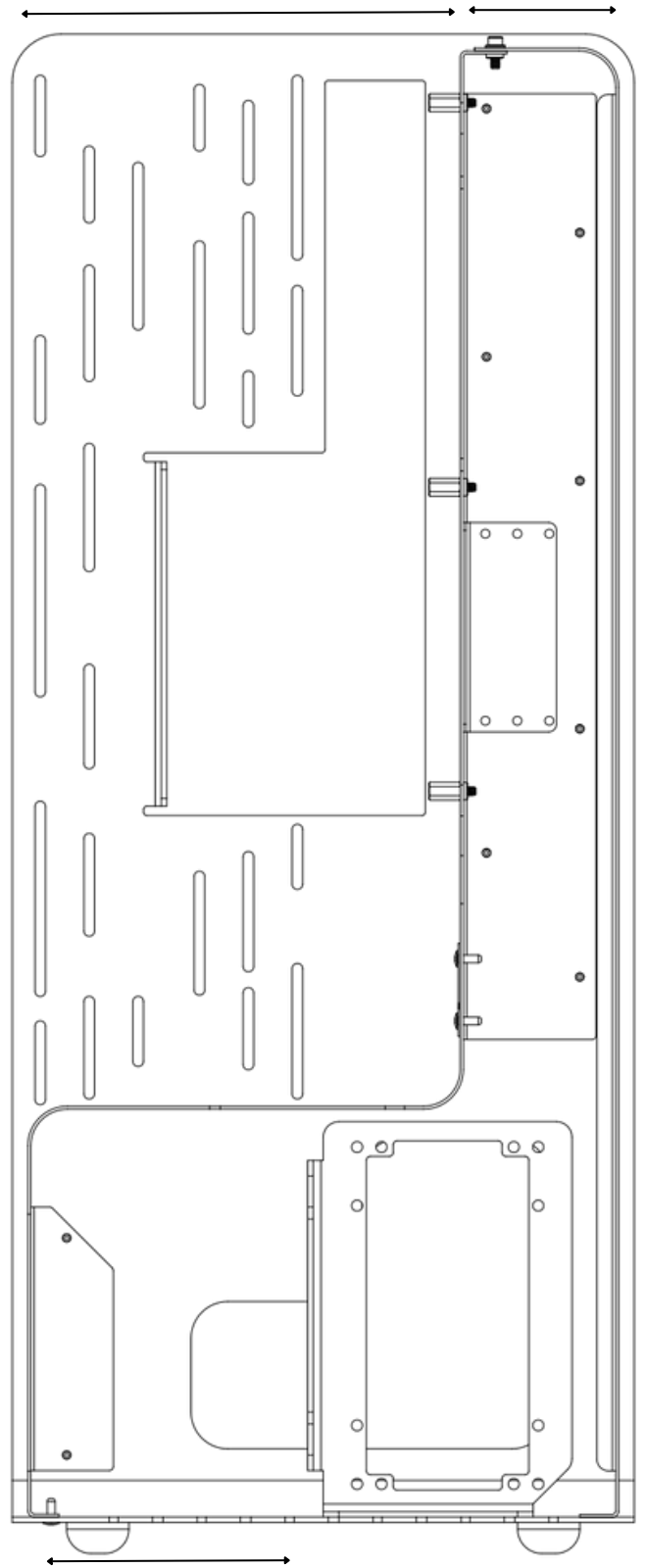
If you plan on mounting a standard 120mm fan to the outside (same side as motherboard) of the interior radiator cutout then you will only have a maximum clearance of **60mm** for the radiator bracket

120mm Fan Pattern
65mm D5 Pattern

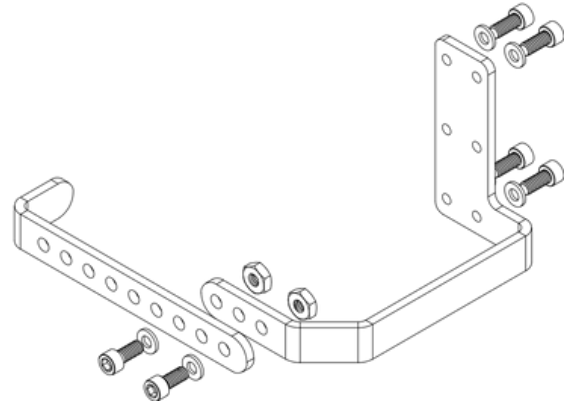
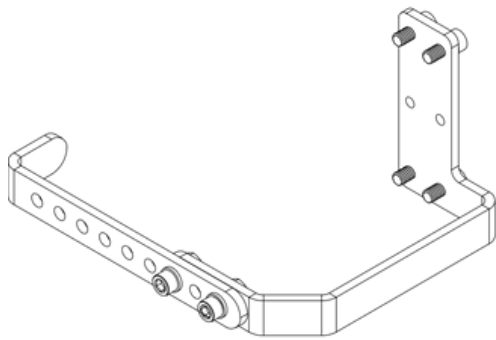
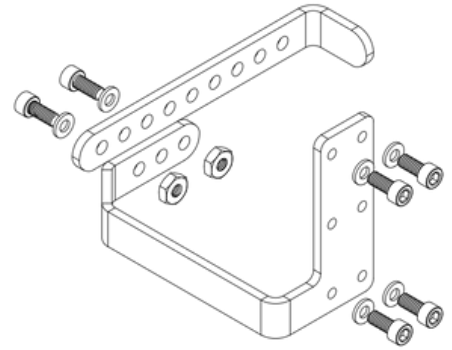
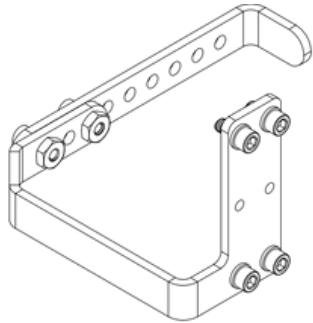


***Note:** 59mm dimension is to the Inside of the case to the PSU mount, not the inside of the fans.

Approx 180mm ID 62mm ID



113mm ID from Inside of Case to PSU Mount



Optional Extension Support

8-32 x 3/8 Hardware