

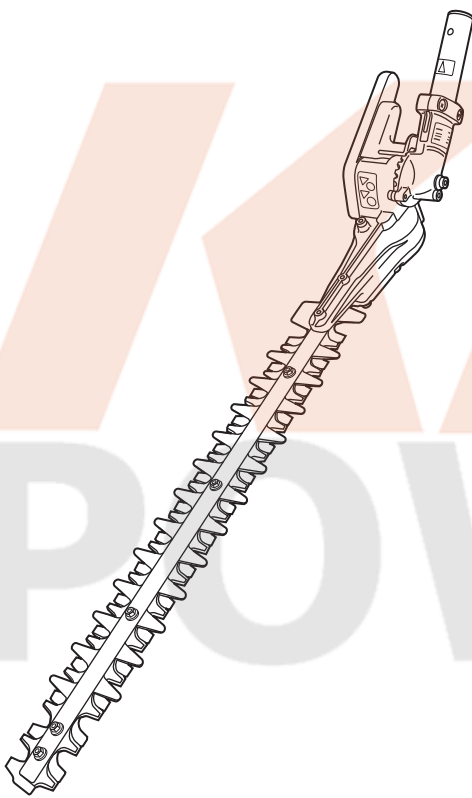
# Hedge Trimmer Attachment

# Instruction Manual

**KM0408MF04B**

Contents

Important Information .....	2
1. Safety .....	4
1.1 Warnings .....	4
1.2 General Precautions .....	6
1.3 Safety Devices and Protective Guard .....	11
1.4 Protective Equipment .....	12
1.5 Noise .....	12
1.6 Vibration .....	12
2. Outline .....	13
2.1 Name of Parts and Their Functions .....	13
2.2 Specification .....	14
2.3 Attached Material .....	14
2.4 Position of Model and Serial No. ....	15
2.5 Replaceable Items .....	15
3. Installation and Adjustment .....	16
3.1 Installation Method .....	16
3.2 Adjustment of Cutter Bar Angle .....	19
4. Operation .....	20
4.1 Transporting Method .....	20
4.2 Pre-operation Check .....	21
4.3 Start and Stop .....	22
4.4 Description of Cutting Techniques .....	22
4.5 Precautions for Operation .....	23
4.6 Operation Method .....	24
4.7 Actions after Operation .....	26
5. Maintenance .....	27
5.1 Daily .....	28
5.2 Every 25 hours .....	29
5.3 As Necessary .....	30
6. Storing .....	31
7. Waste Disposal .....	32
Troubleshooting .....	32



## For Safe Use of Hedge trimmer Attachment



- Be sure to read this manual and the powerhead (separately sold) manual to have a good understanding of the contents before handling the hedge trimmer.
- If there is no powerhead manual, you can purchase one from your servicing dealer
- Keep this manual and the powerhead manual in a readily accessible location.

---

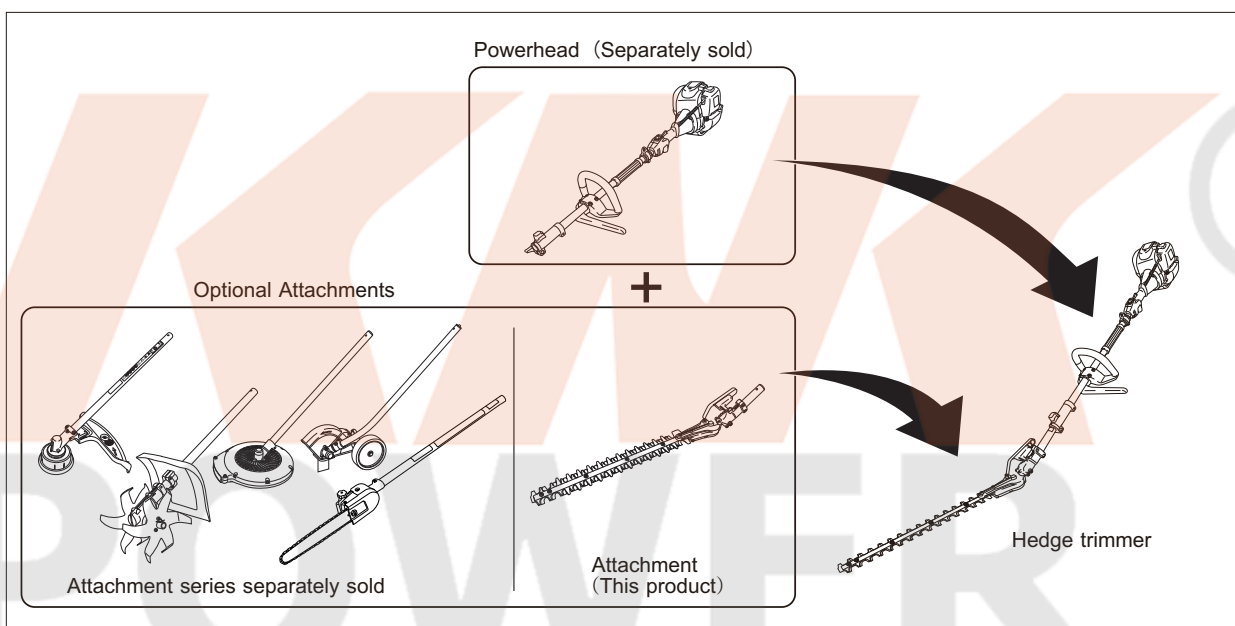
# Important Information

---

## Intended Purpose

This product (hereinafter referred to as an attachment) is designed to be attached to an approved powerhead (to be purchased separately) for cutting hedges.

Do not use the hedge trimmer for any other purpose or in any other way.



## General

- When handling the hedge trimmer, observe all the applicable safety rules, standards or regulations in the area where the hedge trimmer is used.

This hedge trimmer is designed and produced according to the standards and regulations applied in the purchase country, assuming that the use is limited to the purchase country only. It will not comply with standards and regulations of other countries. Do not export or resell the hedge trimmers to any other countries because the languages are different.

- Before use, read this instruction manual and the powerhead manual thoroughly and have a good understanding of the contents. Do not allow any person who does not understand the contents of this manual to handle the hedge trimmer.
- Do not take any actions other than those described in this manual and the powerhead manual.

---

## Important Cautions for Safe Work

- It can not foresee all the risks in handling the hedge trimmer. There fore , also give consideration to general safety measures not stated in this manual,powerhead manual to prevent injuries when handing the hedge trimmer.
- The hedge trimmer is a high-speed cutting tool with very long reach. To decrease risk of personal injury, special safety precautions must be observed. If it is used carelessly or inappropriately, the trimmer blade could make contact with hands or body, resulting in a fatal or serious injury such as amputation of hands or fingers.

## Important Cautions for Instruction Manual

- This instruction manual is copyrighted and all rights are reserved. This instruction manual, in whole or part, may not be copied, translated or reproduced to any electronic medium or machine readable without prior written consent
- The contents described in this instruction manual and powerhead manual are subject to change without prior notice.
- Illustrations or figures shown in this instruction manual may partially differ from your hedge trimmer.
- If you lend or rent the hedge trimmer, be sure to provide the user with this manual and the powerhead instruction manual. Also, advise the user that they need to have a good understanding of the content of both manuals before starting any work.
- If this instruction manual or powerhead manual is lost or damaged, order a replacement from your servicing dealer immediately.
- If you have any questions about descriptions in this manual or powerhead manual, contact your servicing dealer.
- The names of companies and products described in this manual are generally trademarks or registered trademarks of each company.

---

# 1. Safety

---

## California Proposition 65

This product contains or emits chemicals known to the State of California to cause cancer, birth defects, or other reproductive harm.





## 1.1 Warnings

For appropriate use of the hedge trimmer, follow the instructions in this manual. Warning labels are attached to places where there are potential risks or in the periphery. The warning labels in this instruction manual are categorized depending on the degree of risk as shown in the table below.




### 1.1.1 Warning Description

Signal words in this instruction manual are categorized as shown below. If the warning for each signal word is ignored, injury or death may result

#### Meanings of signal words

 <b>DANGER</b>	Indicates an immediately hazardous situation which, if not avoided, will result in death or serious injury.
 <b>WARNING</b>	Indicates a potentially hazardous situation which, if not avoided, could result in death or serious injury.
 <b>CAUTION</b>	Indicates a potentially hazardous situation which, if not avoided, could result in mild to moderate injury.
 <b>Note</b>	<b>It could result in property damage</b> Indicates to emphasize important information or provide helpful information.

#### □ Meanings of symbols

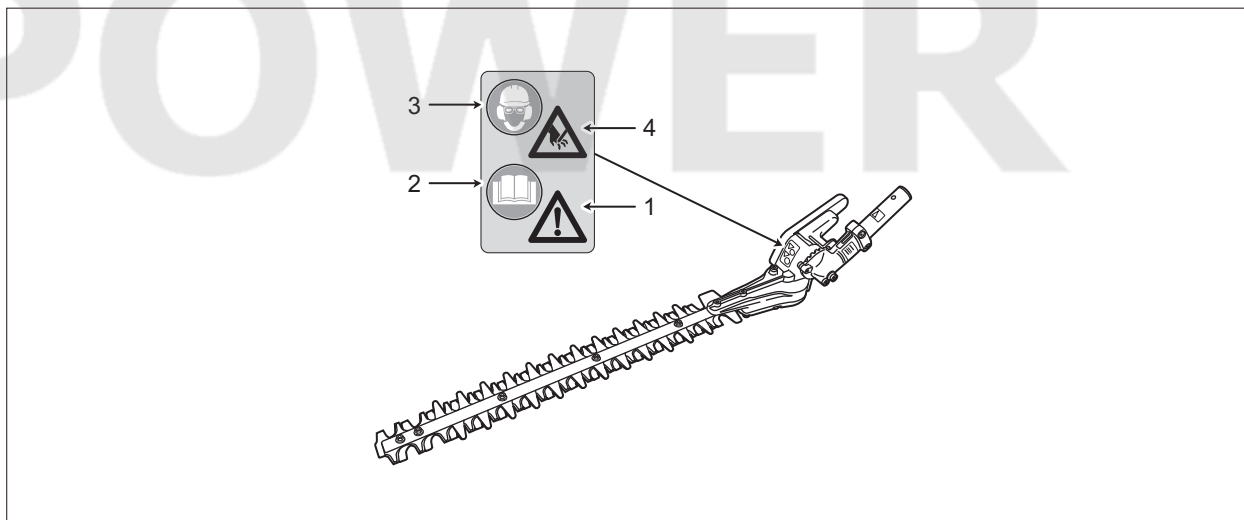
	Caution Sign	Indicates that hazardous situation may result if you fail to follow the instructions. The hazards are indicated by the pictogram inside the symbol.
	Prohibition Sign	Indicates prohibition of dangerous action. Prohibited actions are indicated by the pictogram inside or by the symbol.
	Enforcement Sign	Indicates enforcement of actions. Actions to be enforced are indicated by the pictogram inside the symbol. This action is required to avoid hazard.

## 1.1.2 Warning Labels

### ☐ Cautions for Handling

- (a) This hedge trimmer is provided with warning labels to indicate important cautions. Understand the meanings of the warning labels thoroughly to work in a safe environment .
- (b) Do not operate the hedge trimmer until you have a good understanding of the meanings of the warning labels. If you do not understand the meanings, contact your servicing dealer.
- (c) Be sure to observe the warning labels and warning messages in the instruction manual at all times while handling the hedge trimmer.
- (d) Do not remove or damage the warning labels. Also, do not clean the warning labels with solvent.
- (e) Do not paint the warning labels when repainting the hedge trimmer.
- (f) If the warning labels become illegible, damaged or removed, purchase new ones from your servicing dealer, and attach them in accordance with the "■ Warning Labels and Attached Locations"

### Warning Labels and Attached Locations







1	Carefully check the warning labels and observe them.
2	Be sure to read the instruction manual and completely understand it before use.
3	Wear personal protective equipment for eyes, ears, and head during operation.
4	Trimmer blade is extremely sharp. If hands or feet, etc make contact with the trimmer blade, it could result in serious injury such as finger or feet amputation or even fatal injury.


# 1.2 General Precautions

## 1.2.1 Overall Precautions

When handling the hedge trimmer, follow the precautions of the powerhead manual in addition to the following precautions.

<b>⚠ DANGER</b>	
	Do not use the hedge trimmer when tired, ill, or after consuming alcohol, drugs, or medication.
	Be sure to firmly tighten the knob bolt at the attachment connection between the powerhead and the extension pipe before using the attachment. * The attachment could come off, resulting in serious injury or death.
<b>⚠ WARNING</b>	
	Do not use the hedge trimmer for any purpose other than cutting hedge or as show in examples of use (4.6).
	Do not allow minors to operate the hedge trimmer.
	Do not modify the hedge trimmer.
	Do not install any unapproved powerhead to the attachment.
	Do not remove the safety devices.
	Do not touch the trimmer blade during operation.
	If you lend or rent the hedge trimmer, be sure to provide the user with this manual and the powerhead instruction manual. Also, advise the user that he or she needs to have a good understanding of the content of both manuals before starting any work.
	Always shut off the engine and remove the hedge trimmer from the powerhead before handling the trimmer

## 1.2.2 Precautions for Clothing

<b>⚠ WARNING</b>	
	Wear a hard hat when using or transporting the hedge trimmer.
	Wear appropriate personal protective equipment when using the hedge trimmer. For details about protective clothing refer to “1.4Protective Equipment”.

**⚠ WARNING**



**Wear goggles meeting the requirements of ANSI Z87.1 when using the hedge trimmer.**

**Also use a face shield (or face screen) if possible.**

\* Failure to use goggles or face shield, could result in eye injury from flying debris

**Wear hearing protective equipment such as ear protections when using the hedge trimmer.**

## 1.2.3 Precautions before Operation

**⚠ WARNING**



**Do not allow children or animals to enter the working range of the hedge trimmer within 50 ft (15 m).**

**Do not operate the hedge trimmer near the electric wires.**

\* Otherwise, you may suffer an electric shock.



**Make sure that the hedge trimmer is operated normally or there is not any part missing or damaged before starting the operation.**

**Before starting the operation or when hitting the hedge trimmer against something hard such as stones, make sure that the knob bolt of powerhead connections is not loosened.**

\* Otherwise, it could cause the attachment to fall off.

**Make sure that the positioning knob is lowered to the locked position when installing the hedge trimmer. (Refer to page 17.)**

\* The attachment could come off.

**Before use, always inspect the powerhead and attachment for any loose, damaged or missing parts.**

\* Anything loose, damaged, or missing could cause parts of the powerhead attachment to fall off or fail and seriously injure or kill the user.

**Before using hedge trimmer inspect the work area for any obstacles that cannot be removed so you can avoid contacting them when operating the hedge trimmer.**

\* Otherwise, you may trip on the obstacle or unintentionally hit it with the blade, potentially resulting in serious injury or death.

### ▶▶ Note

- If the edge of the trimmer blade is blunt or damaged, do not operate the hedge trimmer. Otherwise, it could cause damage to the engine and machine due to overloading.

## 1.2.4 Precautions at Start-up

### WARNING



**The hedge trimmer must only be started and operated by one person.**

\* Operation by more than one person increases the likelihood of mishandling and resulting injury.

### CAUTION



**Always start the hedge trimmer in an open, flat area with the trimmer blade off the ground.**

\* Otherwise, you risk injury from falling or hitting the trimmer blade on the ground or

## 1.2.5 Precautions for Operation

### DANGER



**Do not operate the hedge trimmer on insecure footings including a ladder, tree, back of the truck.**

\* You could fall off the footing, drop the hedge trimmer or contact the blade by inappropriately handling it, resulting in serious injury or death

### WARNING



**Do not operate the hedge trimmer using just one hand.**

\* You could drop the hedge trimmer or contact the blade by mishandling, potentially leading to serious injury or death.

If the trimmer blade starts moving while idling do not use the hedge trimmer



**Exhaust contains carbon monoxide, a clear, odorless gas that can injure or kill you. Only use in well ventilated locations.**

**Always concentrate on your work when using the hedge trimmer.**

If you need to do other work or talk to others, stop the engine first.

\* Failure to properly concentrate could result in mishandling and resultant injury.

Always use the harness when operating the hedge trimmer

\* Failure to use the harness increases the likelihood of mishandling and resultant injury.

**When cutting an overhead hedge, take a break on occasion.**

\* When operating the hedge trimmer for a long time, your arm may get tired, resulting in mishandling the hedge trimmer, potentially leading to serious injury or death from an injury such as dropping the hedge trimmer.



## WARNING



**When trimming higher than the eye level, frequently check for obstacle in the hedge.**

- \* If the check is neglected, the hedge trimmer could contact with a person or obstacle, resulting in serious injury or death.

**Remove obstacles, and watch your step when transporting the hedge trimmer.**

- \* If the footing is insecure, an injury due to tripping over or falling could happen.

**When turning around or rearranging your posture, the operator should move slowly.**

- \* Otherwise, it could cause injury due to contact of the trimmer blade with the people around, resulting in serious injury or death.

## CAUTION



**Do not touch hot surfaces such as the gear case during or immediately after the operation.**

- \* Failure to observe the instruction could result in burns because the gear case could be

## 1.2.6 Precautions for Maintenance

### WARNING



**Do not replace parts with inappropriate parts.**

- \* Failure to observe the instruction could cause the product not to perform as intended and cause injury due to deterioration of safety.



**Before performing maintenance, repair or cleaning, stop the engine and remove the attachment from the powerhead.**

- \* If the engine starts during the work, hands or fingers could be severed by the moving parts or trimmer blade, resulting in serious injury or death.

### ►► Note

- Do not perform any maintenance or repair other than those described in the instruction manual. Other maintenance or repairs should be performed by your servicing dealer.
- Use a specified grease (general purpose No. 2 lithium grease). Also referred to as NLGI Grade-2 Lithium Based Grease. Using the wrong grease can lead to damage or failure.

---

## 1.2.7 Precautions for Transporting

### WARNING



Before transporting the hedge trimmer, stop the engine, and ensure the blade has stopped.

Install the trimmer blade guard on the trimmer blade.

### ►► Note

- When transporting the hedge trimmer, install it to a harness or keep it balanced by holding the shaft tube.
- Before transporting the hedge trimmer on the back of the truck, etc., remove the attachment from the powerhead, install the guard on the trimmer blade, and then secure it so it does not move.

## 1.2.8 Precautions for Storing

### CAUTION



When storing the attachment with the hook of the pipe cap attached to the pipe, etc., do not pull or swing the attachment.



When storing the hedge trimmer attachment, install the trimmer blade guard on the blade and place it out of the reach of children.

---

## 1.3 Safety Devices and Protective Guard

### 1.3.1 Safety Devices (Stop Devices)

To stop the hedge trimmer in case of an abnormality, use the stop device on the powerhead to stop blade rotation.

Refer to the powerhead manual for details.

### 1.3.2 Safety Devices (Quick Release)

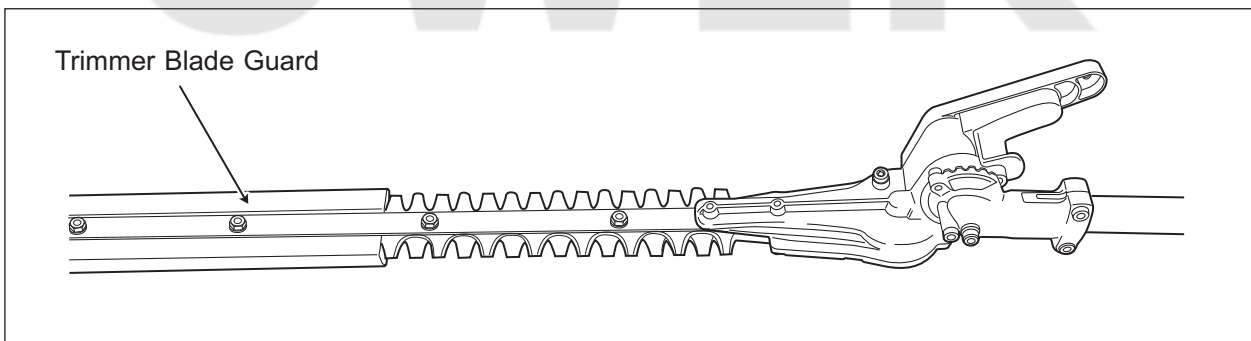
In case of an abnormality, the hedge trimmer can be released from the harness by using the quick release device.

Refer to the powerhead manual for details.

### 1.3.3 Protective Guard (Trimmer Blade Guard)

Install the trimmer blade guard to the hedge trimmer for transporting or storing to prevent an injury due to contact with the trimmer blade.

Install the guard as shown in the figure below.

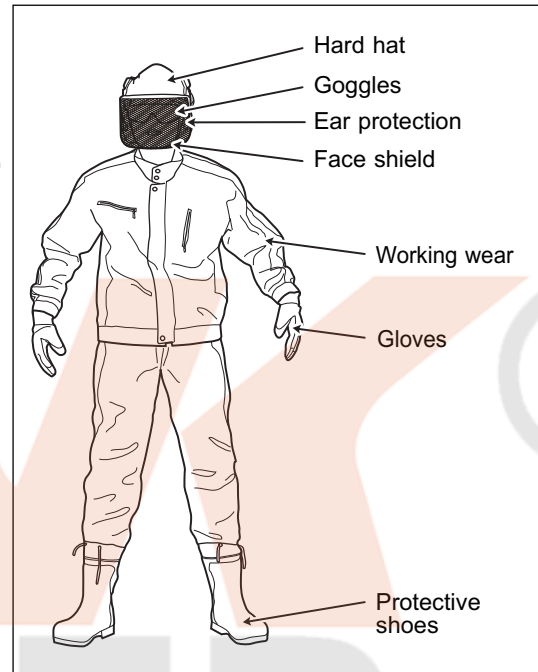


---

## 1.4 Protective Equipment

When using the hedge trimmer for cutting, it is recommended to wear the following protective equipment.

- (a) Hard hat
- (b) Working wear (long sleeve jackets and full-length pants of heavy material)
- (c) Protective shoes (sturdy boots with nonslip sole) (Steel-toed safety boots are recommended.)
- (d) Gloves (heavy-duty nonslip gloves)
- (e) Goggles that meet the requirements of ANSI Z87.1.
- (f) Face shield (or face screen) (use together with goggles is recommended)
- (g) Ear protection



### ►► Note

- Do not wear any jewelry, neckties or scarves.
- Secure hair so it is above shoulder level.
- If the jackets or pants are loose, tighten the cuffs or hems.
- Do not wear short pants, sandals, or go barefoot.

## 1.5 Noise

A person operating the hedge trimmer must use ear protection equipment. However, take care when wearing the ear protection equipment. Your ability to hear shouts or alarms is restricted.

## 1.6 Vibration

Vibration generated by the hedge trimmer may cause vibration induced Hand-Arm Vibration Syndrome (HAVS). This will cause swelling pain or numbness of hands, and there is a risk of affecting the hand. To prevent such problems, do not continuously operate for a long time. Instead, take an appropriate break.

---

# 2. Outline

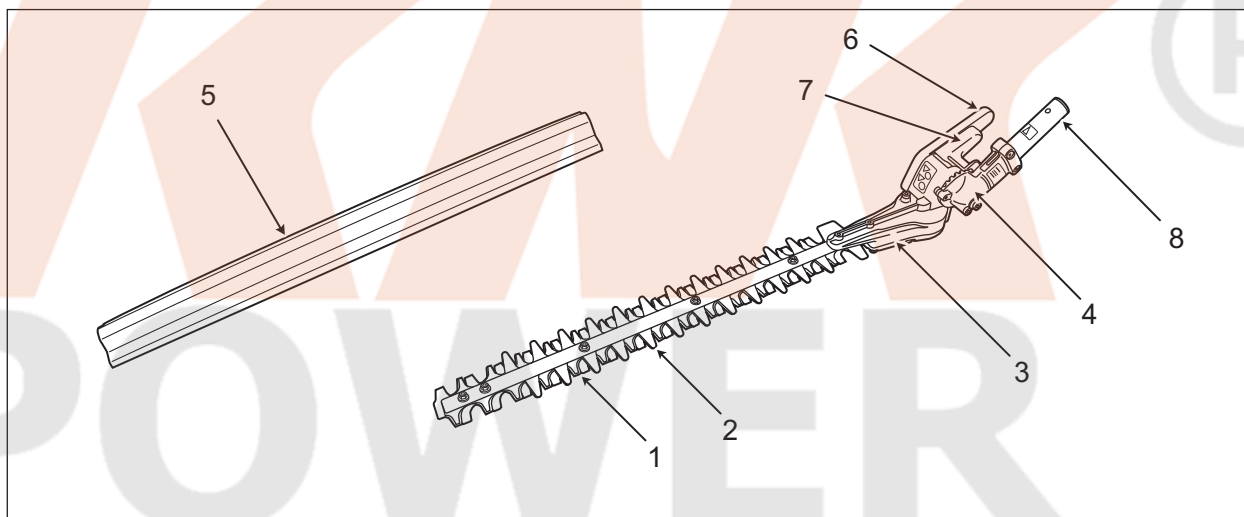
---

## 2.1 Name of Parts and Their Functions

The hedge trimmer is a device with the attachment installed to the powerhead (separately sold). The following is the structure of the attachment and name and function of each part.

### ►► Note

- There is one type of powerhead. For details about the powerhead, refer to the powerhead manual.



No.	Name	Description
1	Trimmer blade	A steel blade to cut the hedges or low trees.
2	Cutter guard	A guard to protect hands and legs from trimmer blade.
3	Transmission case	It converts the rotation of the gear case into the trimmer blade oscillation.
4	Gear case	It transmits the rotation of the drive shaft to the transmission case.
5	Trimmer blade guard	A guard to cover the trimmer blade when the hedge trimmer is not used.
6	Adjustment lever	A lever to adjust the angle of the trimmer blade appropriately.
7	Lock lever	A lever to lock the trimmer blade to a necessary position.
8	Shaft tube	Mainframe with a built-in drive shaft.

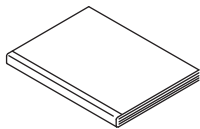
## 2.2 Specification

### ■ Standard Specification

Item	Specification
Model	<b>KM0408MF04B</b>
Attachment weight	4.8 lb (2.2 kg)
Package (L x W x H)	96*12.5*8cm
Weight	2.0KGS
Shaft length	718MM
Cutter type	Double-sided, Double-reciprocating
Blade length	21.6 in (550 mm)
Articulation angle increment	18 deg.
Total articulation range	Short shaft: 108 deg. (-54 to + 54)

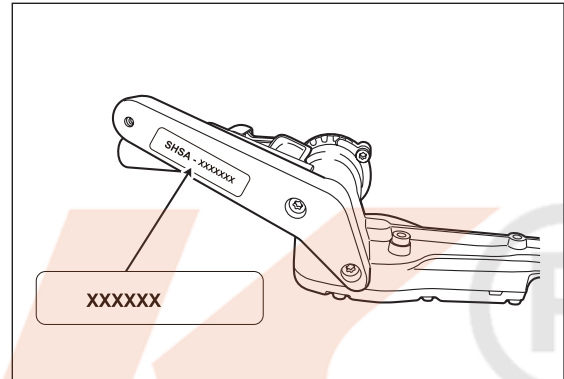
2 3

■  
Instruction manual  
(this book)



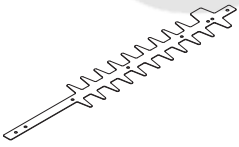
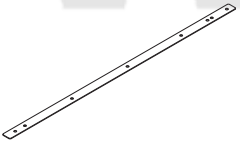



## 2.4 Position of Model and Serial No.

Check the model code of your attachment on the nameplate attached to the machine shaft. Record serial No. (See “9. Servicing”). You will need this model code and serial No. when ordering parts, and when making technical or warranty inquiries.



## 2.5 Replaceable Items

Contact your servicing dealer for replacement parts.

<p>Cutter guard</p> 	<p>Guide</p> 	<p>Trimmer blade</p> 	<p>Slider</p> 
<p>Cap</p> 			

# 3. Installation and Adjustment

## 3.1 Installation Method

### ⚠ WARNING



**Before installing or removing any attachment or part, stop the engine and, if attached, let the trimmer blade come to a complete stop.**

\* If the engine starts during the work, hands or fingers could be severed by the moving parts or trimmer blade.

### ⚠ CAUTION



**When handling the trimmer blade, wear gloves.**

\* If you touch the edge of the trimmer blade or tip of the sharp blade, it could cause injury to hands or fingers.

### 3.1.1 Combination with Powerhead

### ⚠ WARNING



**Do not install any unapproved powerhead to the attachment.**

\* The attachment could separate from the powerhead, causing severe injury.

The attachment can be installed only to our approved equipment (shown below).

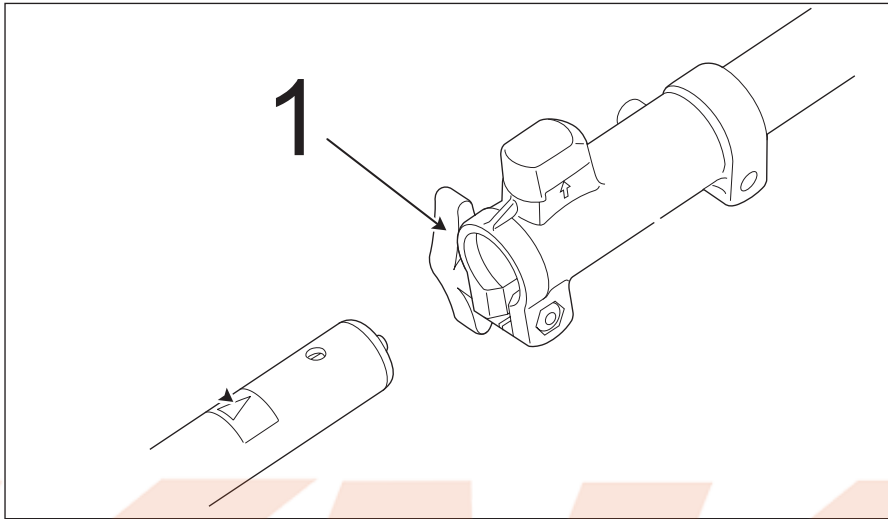
#### MODEL

KM0408255-EP / KM0408336-EP / KM0408439-EP / KM0408436-EP

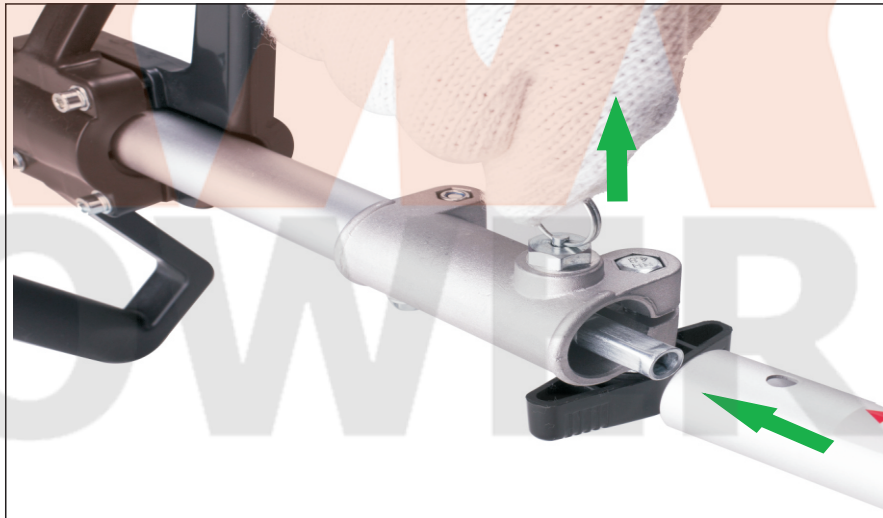
KM0408432-EP



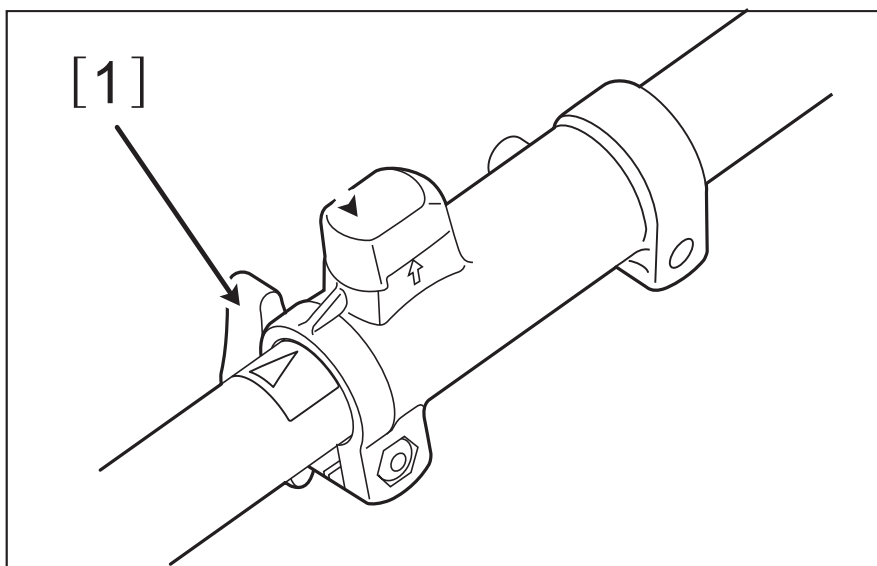
### 3.1.2 Connecting



**1** Loosen the knob bolt [1] of powerhead connections.

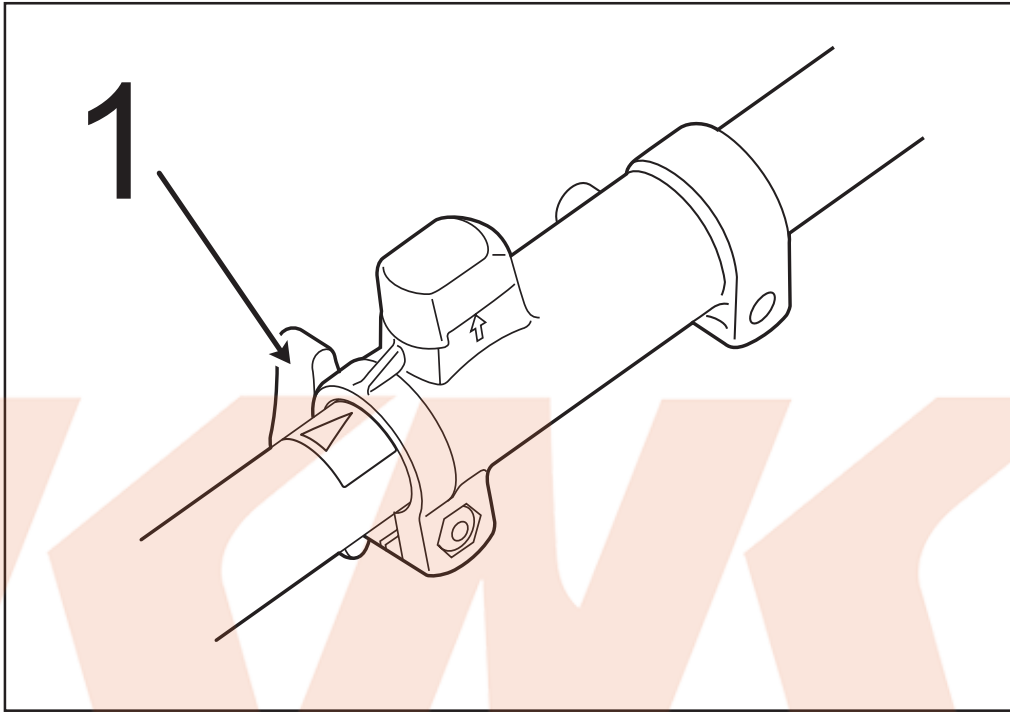


**2** Pull pin upward and insert pipe

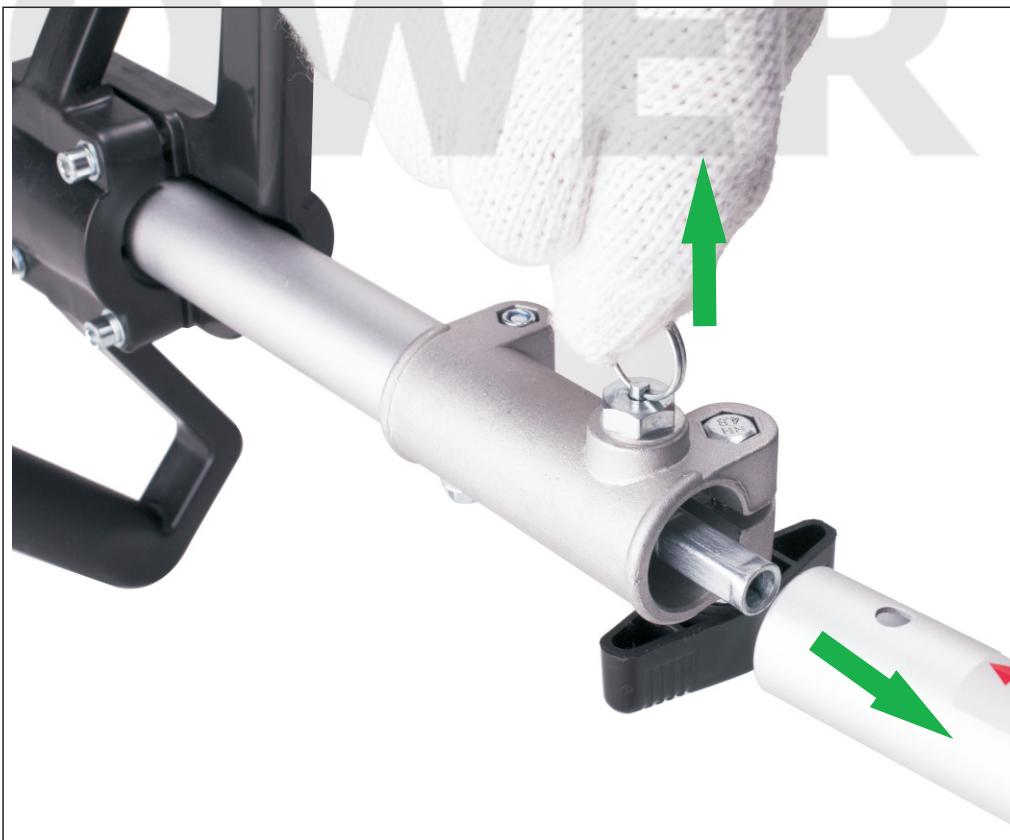


**3** tighten the knob bolt [1]

### 3.1.3 Removing



**1** Loosen the knob bolt [1] of powerhead connections.

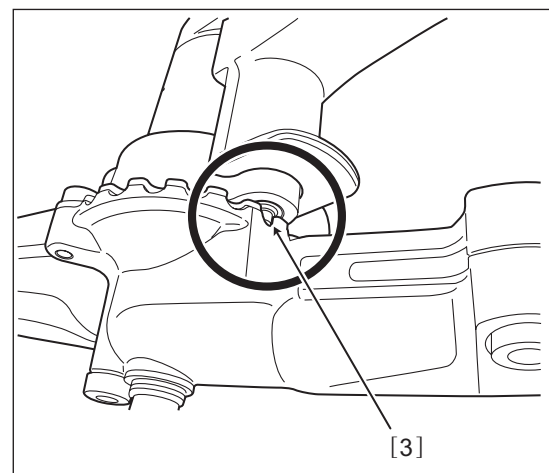
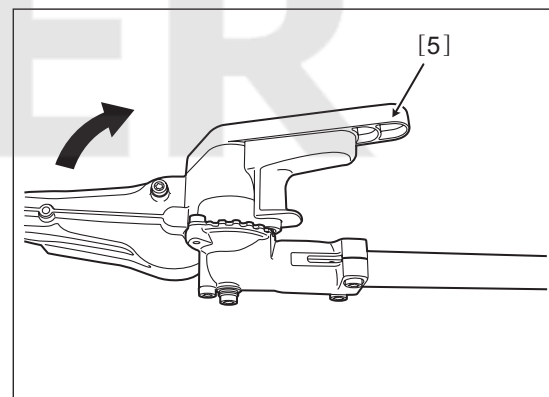
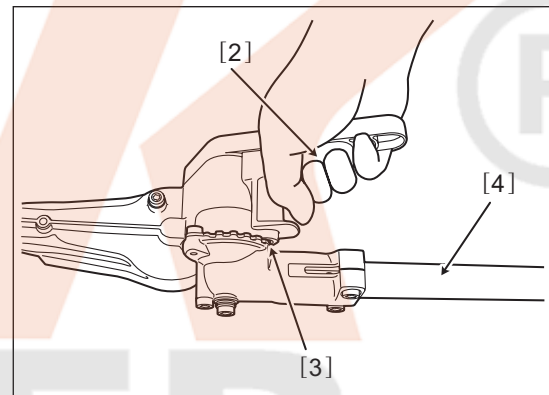
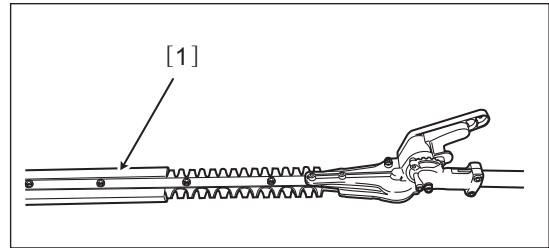


**2** Pull pin upward and pull out pipe

## 3.2 Adjustment of Cutter Bar Angle

On this type of cutter bar, the angle relative to the cutter bar can be adjusted to 7 positions between  $-54^{\circ}$  to  $+54^{\circ}$ . Adjust as follows

- 1** Before this adjustment, stop the engine.
- 2** Lay down the hedge trimmer on the ground, and install the guard [1] to the trimmer blade.
- 3** Slide the lock lever [2] to release the lock. (Remove the pin [3] of the lock lever from the hole.)  
If it does not move smoothly, move the shaft tube [4] back and forth a little.
- 4** With the lock released, grip the adjustment lever [5] to change the angle of the cutter bar.
- 5** At the adjusted angle position, return the lock lever. (Engage the pin [3] of the lock lever with the hole.)



# 4. Operation

## 4.1 Transporting Method

### ⚠ WARNING



When transporting the hedge trimmer, wear appropriate clothes and personal protective equipment.

\* Otherwise, it could cause injury.

Before transporting the hedge trimmer, stop the engine, and ensure the blade has stopped.

Install the trimmer blade guard on the trimmer blade.

Remove obstacles, and watch your step when transporting the hedge trimmer.

\* If the footing is insecure, an injury due to tripping over or falling could happen.

### ▶▶ Note

- When transporting the hedge trimmer, install it to a harness or keep it balanced by holding the shaft tube.
- Before transporting the hedge trimmer on the back of the truck, etc., remove the attachment from the

**1** Wear protective equipment. For detail about the protective equipment, refer to “1.4 Protective Equipment”.

**2** Make sure that the engine is stopped and the blade is not moving.

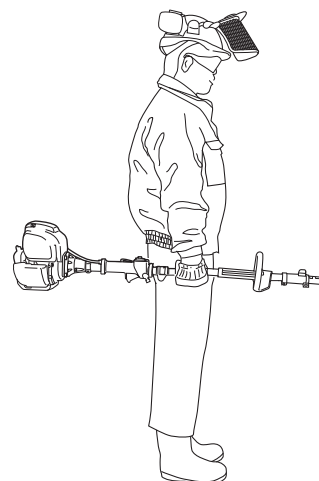
**3** Install the trimmer blade guard to the trimmer blade.

**4** <When hand-carrying the hedge trimmer>  
Install it to the harness or use the shaft tube to maintain balance.

<When transporting by truck, etc.>

- (1) Remove the attachment from the powerhead.
- (2) Put the hedge trimmer on the back of the truck, and secure it.

When hand-carrying the hedge trimmer



---

## 4.2 Pre-operation Check

### WARNING



**Make sure that the hedge trimmer is operated normally or there is not any part missing or damaged before starting the operation.**

Before operating the hedge trimmer check the following

- (a) If any part is damaged or worn out, replace before using. Contact your service dealer for a replacement part.
  - Check to see if there is any looseness, cracks, bending, or distortion of parts (nuts, screws, etc.)
  - Check to see if the trimmer blade is damaged.
  - Check to see if the knob bolt of powerhead connections is loosened.
- (b) Check to see if the hedge trimmer functions normally. If it is faulty, contact your servicing dealer for repair.
  - Check to see if the throttle trigger is operating freely (if it returns to the idling position).
  - Check to see if the start/stop switch functions normally
- (c) Check the handle for dirt, etc. If it is dirty, wipe it off.
  - Check to see if it is kept clean (if there is oil or resin adhering.)
  - Be sure it's dry before using.
- (d) Check the idling status. If it is faulty, perform the steps described in the powerhead manual.
  - Check to see if the trimmer blade moves during idling.  
If it does, stop the engine and contact the servicing dealer for repair.
- (e) In addition to the above, perform the steps described in the powerhead manual.

---

## 4.3 Start and Stop

The hedge trimmer is operated by the powerhead.  
Refer to the powerhead manual.

### 4.3.1 Start

#### WARNING



**The hedge trimmer must only be started and operated by one person.**

Operation by more than one person increases the likelihood of mishandling and resulting injury.

For starting the hedge trimmer, refer to the powerhead manual.

### 4.3.2 Stop

When the throttle trigger is released, the engine power will decrease, and the trimmer blade will come to a stop. However, it will not stop immediately after the throttle trigger is released, but instead will continue to turn for a short while (flywheel effect). Maintain proper control until the blade has come to a complete stop.

Refer to the powerhead manual for details.

## 4.4 Description of Cutting Techniques

The following describes the cutting techniques.

Vertical cut

When cutting along the hedge, move the trimmer blade up and down in large arc. Use the both edges of the trimmer blade to cut.

Horizontal cut

When cutting, while swinging the hedge trimmer horizontally, keep the trimmer blade angle between 0° and 10°.

---

## 4.5 Precautions for Operation

When operating the hedge trimmer, observe the following as well as “1.2 General Precautions”.

### ■ General

- The hedge trimmer is not insulated against electric shock. Have a person qualified for electric work remove wires and cables. If there are still wires or cables not removable, do not operate the hedge trimmer.
- Do not cut any materials other than hedges or shrubs.
- There is still a risk of injury by thrown object even if bystanders keep a distance of 50 ft (15 m) or more. They should be encouraged to wear eye protection.
- Always stop the engine when leaving the hedge trimmer

### ■ Check the Work Area

- Take extreme care when operating in a slippery location/environment. Also watch out for rough ground, stumps, roots, ditches or holes which could cause you to trip or stumble. Do not use the hedge trimmer when it is raining.
- To prevent fire, do not use the hedge trimmer in a place where there are flammable liquids.

### ■ In Emergency

- If the hedge trimmer is jammed by thick branches or any other obstructions during operation, stop the engine immediately.
- If there is any problem, such as abnormal noise or vibration, stop the operation immediately and check for the cause.  
If anything abnormal is found, such as a blunt edge of the trimmer blade, etc., make sure that no part is cracked or missing. Even if the trimmer blade has superficial cracks instead of damage or wear, replace the trimmer blade.
- In case of an abnormality the hedge trimmer can be released from the harness or shoulder harness by using the quick release.

## 4.6 Operation Method

### ⚠ WARNING



Do not allow children or animals to enter the working range of the hedge trimmer within 50 ft (15 m).



The hedge trimmer must only be started and operated by one person.

Operation by more than one person increases the likelihood of mishandling and resulting injury.

When using multiple hedge trimmers at the same time, each operator must be at least within 50 ft (15 m) away from the others.

The following shows examples of use of the hedge trimmer.

### ■Holding Method of hedge trimmer

- Always hold the hedge trimmer with both hands during operation.

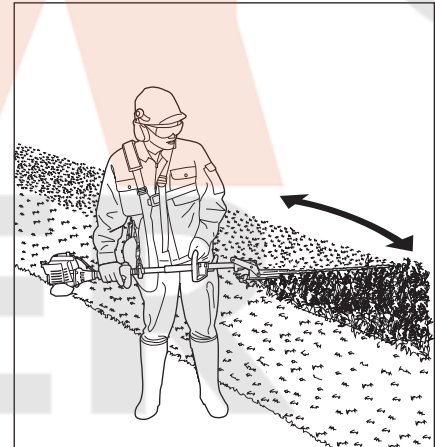
To prevent injury due to inappropriate operation, always support the hedge trimmer steady during operation by holding as follows.

Right hand: Control grip.

Left hand: Loop handle.

(This also applies to left-handers.)

- Always keep the machine away from your body
- Do not over-reach during the operation. Your arm gets tired, losing control.
- Adjust the angle of the cutter bar to hold the hedge trimmer at a less-tiring position. Use the harness.

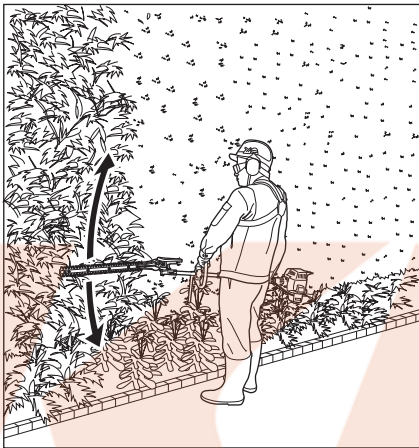




■ **Examples of Use**  
< **Example 1 vertical cut** >

**Use an angled cutter bar.**

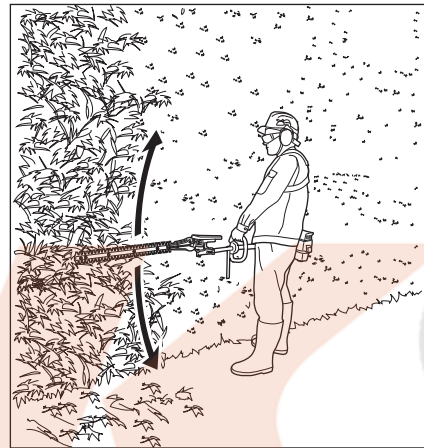
Cut without standing directly in front of the hedge in case of cutting reaching over flower beds.



< **Example 2 vertical cut** >

**Use a straight cutter bar.**

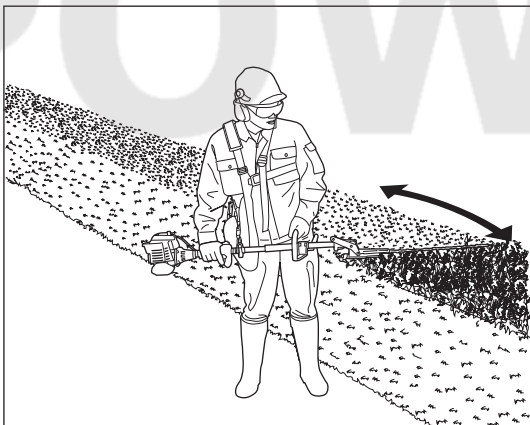
Large working radius is obtained even without additional aids.



< **Example 3 horizontal cut** >

**Use a straight cutter bar.**

Cut without standing directly in front of the hedges, reaching over flower beds, ditches, etc.



▶▶ **Note**

- Do not throw cuttings in the garbage can. They can be composted.

---

## 4.7 Actions after Operation

After using the hedge trimmer, take the following actions.

### 1 Set the start/stop switch to OFF (O side) to stop the engine.

#### ▶▶ Note

- Make sure that trimmer blade rotation has come to a complete stop, before setting the unit down.

### 2 Tighten all the nuts, bolts, and screws other than the ones for adjusting the carburetor.

### 3 Store the hedge trimmer according to “6. Storing”.

**KW**  
**POWER**



# 5. Maintenance

## ⚠ WARNING



**Before performing maintenance, repair or cleaning, stop the engine and remove the attachment from the powerhead.**

- \* If the engine starts during the work, hands or fingers could be severed by the moving parts or trimmer blade, resulting in serious injury or death.

## ⚠ CAUTION



**When handling the trimmer blade, wear gloves.**

- \* If you touch the edge of the trimmer blade or tip of the sharp blade, it could cause injury to hands or fingers.

### ▶▶ Note

- Do not perform any maintenance or repair other than those described in the instruction manual. Other maintenance or repairs should be performed by your service dealer.

Maintenance items for the attachment are described as follows.

For maintenance of the powerhead, refer to the powerhead manual.

### ■Maintenance List

Item	Daily	Every 25 hours	As necessary	Remarks
Inspection of blade	○			Refer to 5.1.1.
Looseness of screws and nuts	○			Refer to 5.1.2.
Greasing the transmission case		○		Refer to 5.2.1.
Greasing the gear case		○		Refer to 5.2.2.
Removal of foreign objects			○	Refer to 5.3.1.
Maintenance of trimmer blade			○	Refer to 5.3.2.

## 5.1 Daily

### 5.1.1 Inspection of Blade

#### ⚠ WARNING



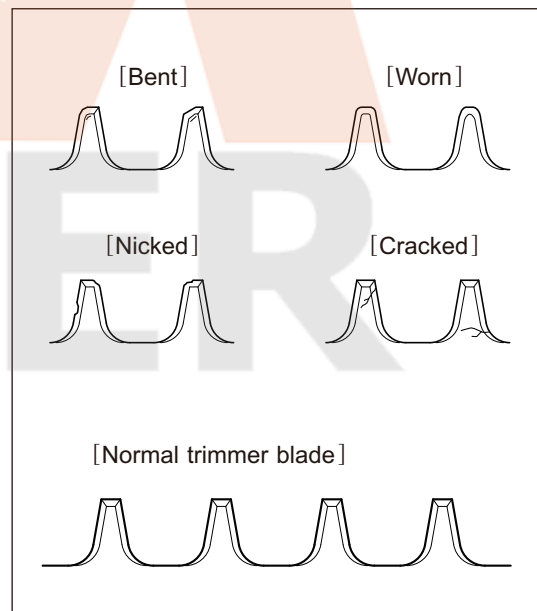
If the trimmer blade is excessively worn, bent or damaged, replace the trimmer blade assembly with a new one.

\* Otherwise, pieces of the damaged trimmer blade could scatter, resulting in serious or fatal injury.

If the cutting performance has deteriorated, e.g. the trimmer blade is frequently jammed by branches,

**1** Make sure that any branches or leaves are not caught by the trimmer blade. If there is any branches or leaves caught, remove them.

**2** Check to see if the trimmer blade is worn or damaged, or if is dull. If the trimmer blade is worn, bent, or damaged, etc., contact your servicing dealer for the replacement.



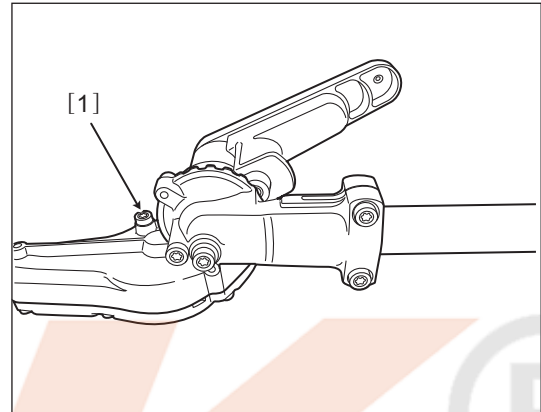
### 5.1.2 Looseness of Screws and Nut

Check the screws and nuts for looseness. If any, tighten it securely.

## 5.2 Every 25 hours

### 5.2.1 Greasing the Transmission Case

- 1** Remove the plug [1] from the grease filler opening with the specialized tool attached to powerhead.
- 2** Grease from the grease filler opening [1].
- 3** Refit the plug [1] of the grease filler opening with the specialized tool attached to powerhead.

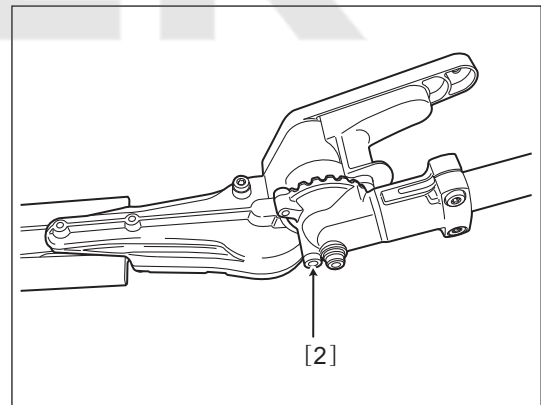


#### ►► Note

- Do not discard grease into the river, the sea, or the ground. Otherwise, it could pollute the environment.
- Use a specified grease (general purpose No. 2 lithium grease). Also referred to as NLGI Grade-2 Lithium Based Grease. Using the wrong grease can lead to damage or failure.

### 5.2.2 Greasing the Gear Case

- 1** Remove the plug [2] from the grease filler opening with the specialized tool attached to powerhead.
- 2** Grease from the grease filler opening [2].  
  
►► Note
  - Do not overfill.
- 3** Refit the plug [2] of the grease filler opening with the specialized tool.



#### ►► Note

- Do not discard grease into the river, the sea, or the ground. Otherwise, it could pollute the environment.
- Use a specified grease (general purpose No. 2 lithium grease). Also referred to as NLGI Grade-2 Lithium Based Grease. Using the wrong grease can lead to damage or failure.

---

## 5.3 As Necessary

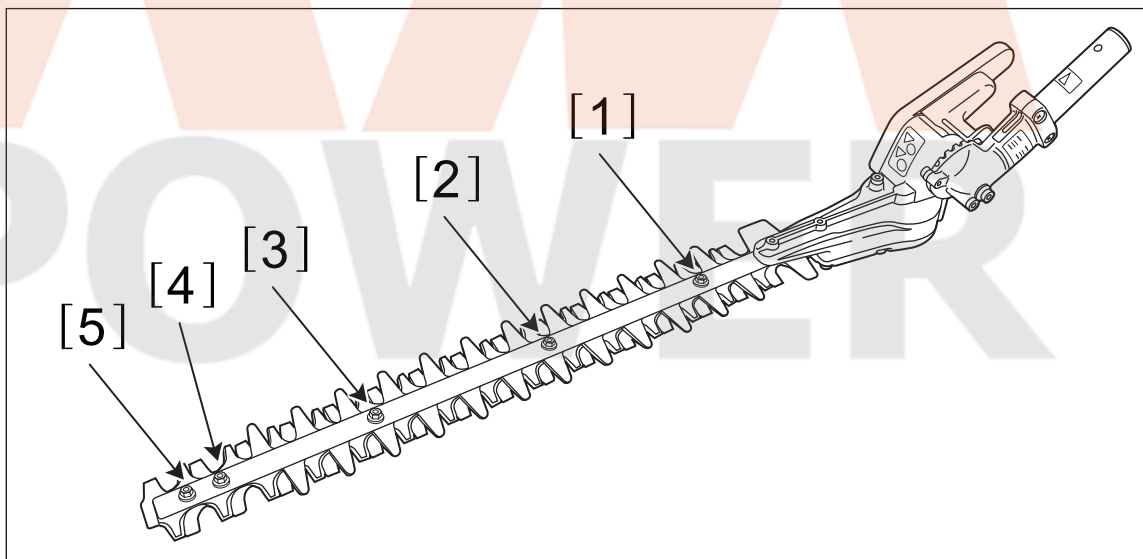
### 5.3.1 Removal of Foreign Objects

Remove the stains from the trimmer blade with a cloth, etc. Clean the trimmer blade as necessary, and then apply oil thinly.

#### ▶▶Note

- Be sure to clean the trimmer blade. If it is not cleaned, dust, wood chips, grease, etc. will be accumulated and hardened, by which the hedge trimmer is not able to be operated for the next time.

### 5.3.2 Maintenance of Trimmer Blade



If the motion of the trimmer blade is not smooth or dull, remove any foreign objects or inspect the trimmer blade. If there is not anything wrong, loosen the bolts and nuts of the trimmer blade and then tighten again in order shown in the right figure.

Torque : 7 N·m

If the blade edge is damaged, contact your servicing dealer for regrinding.

## 6. Storing

### CAUTION



When storing the attachment with the hook of the pipe cap attached to the pipe, etc., do not pull or swing the attachment.



When handling the trimmer blade, wear gloves.

\* If you touch the edge of the trimmer blade or tip of the sharp blade, it could cause injury to hands or fingers.

When storing the hedge trimmer attachment, install the trimmer blade guard on the blade and place it out of the reach of children.

#### ►► Note

- Do not discard grease into the river, the sea, or the ground. Otherwise, it could pollute the environment.

#### Store the hedge trimmer in the following place:



- (a) Locked place
- (b) High place out of reach of children and other unauthorized person
- (c) Dry and cool dark place

# 7. Waste Disposal

For disposal, observe the standards and regulations of your region. If there is any question, contact your servicing dealer.

# 8. Troubleshooting

In case of failure, follow the table below.

 <b>DANGER</b>	
	<p><b>When troubleshooting, stop the engine and then remove the attachment from the powerhead.</b></p> <p>* If the engine starts during the work, hands or fingers could be severed by the moving parts or trimmer blade.</p>

Situation	Possible Cause	Correction
Output is not enough.	Throttle cable adjustment is faulty.	Refer to the powerhead manual.
	Engine concern.	Refer to the powerhead manual.
Vibration is too large.	Poor balance of attachment	Contact your servicing dealer.
	Improper-installation of attachment	Check the installed status. Tighten attach nut.
	Looseness of connection of attachment	Contact your servicing dealer.
	Shaft tube is bent.	Contact your servicing dealer.
Blade is dull	The attachment is not installed to an appropriate powerhead.	Install it to an appropriate powerhead.
	Trimmer blade has worn.	Contact your servicing dealer.
Trimmer blade does not move even if the engine speed is increased.	The shaft tube is broken.	Contact your servicing dealer.
	Gear has worn.	Contact your servicing dealer.
	Debris is jammed in blade.	Remove debris.