

RUBINETTERIE STELLA

ROMA 3224P_EXTRA

CLASSIC THREE HOLE WIDE SPREAD FAUCET



FEATURES

- Low profile faucet
- Includes pop-up drain
- TC mixing system available
- Solid brass
- Custom finishes
- US adapters, specifications and installations included.
- Refer to US specifications and drawings for additional information.

DESIGN

Designed & made in Italy since 1926 by the historic Italian company, Rubinetterie Stella, the ROMA line has never been out of production.

COLORS & FINISHES

- | | |
|---|-------------------------------------|
| <input type="checkbox"/> Gold (AU) | <input type="checkbox"/> Black PVD |
| <input type="checkbox"/> Rose Gold (RG) | <input type="checkbox"/> Polished |
| <input type="checkbox"/> Silver (AG) | <input type="checkbox"/> Brushed |
| <input type="checkbox"/> Un-Lacquered Brass* (UB) | <input type="checkbox"/> Matte |
| <input type="checkbox"/> Satin Nickel (SN) | <input type="checkbox"/> Brass PVD |
| <input type="checkbox"/> Polished Nickel (PN) | <input type="checkbox"/> Polished |
| <input type="checkbox"/> Chrome (CR) | <input type="checkbox"/> Brushed |
| <input type="checkbox"/> Dark Bronze (DB) | <input type="checkbox"/> Matte |
| <input type="checkbox"/> Other _____ | <input type="checkbox"/> Copper PVD |
| | <input type="checkbox"/> Polished |
| | <input type="checkbox"/> Brushed |
| | <input type="checkbox"/> Matte |

OPTIONS

- Roma Faucet
- Standard
 - TC System

REF

RM 00019 XXXX
RM XXXXX XXXX

CODES, STANDARDS & CERTIFICATIONS

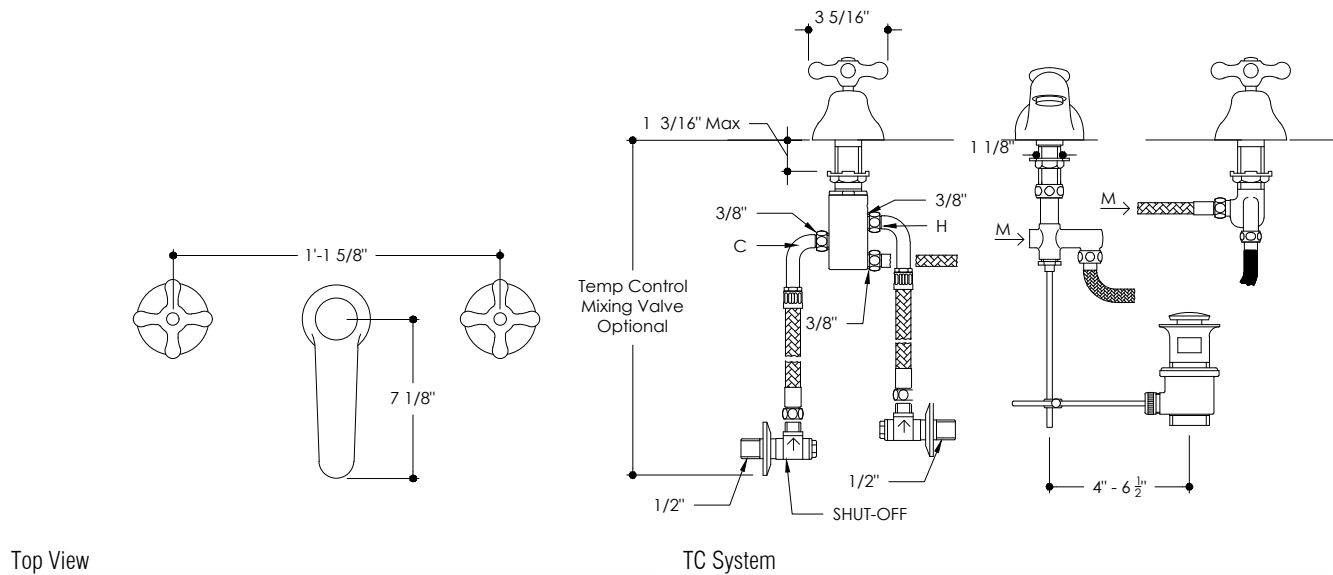
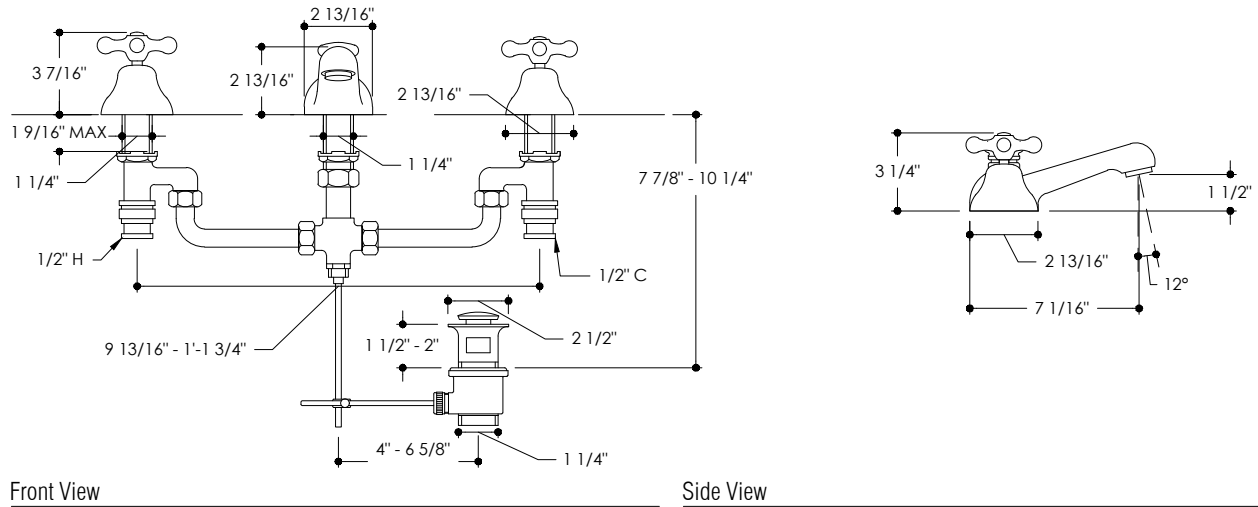
TECHNICAL INFORMATION

Flow rate:	1.2 gallons per minute
Pressure:	60psi (4.1bar)
Drain included:	Yes
NYC Building Code:	Yes
Stella 1882 Limited Warranty:	Yes (see website for detailed information)

RUBINETTERIE STELLA

ROMA 3224P_EXTRA

CLASSIC THREE HOLE WIDE SPREAD FAUCET



Notes