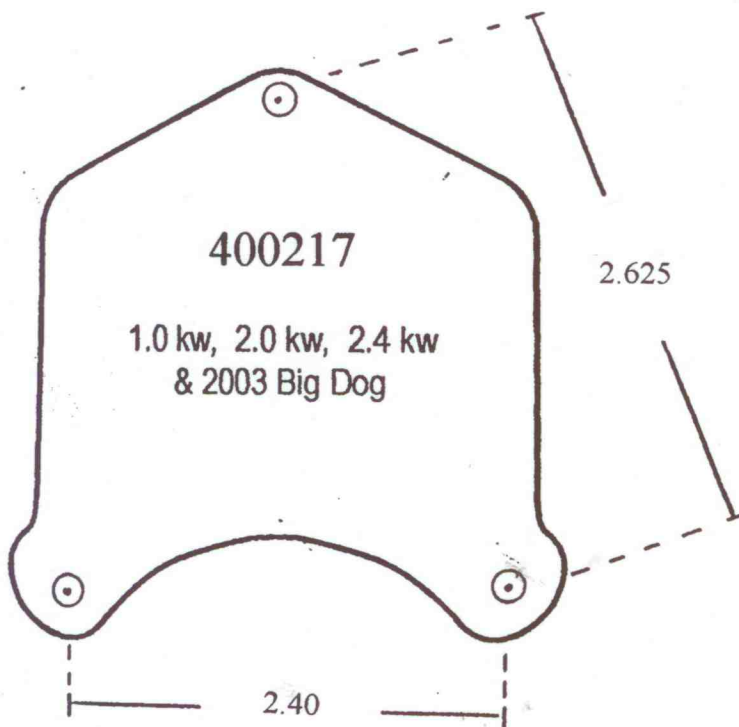
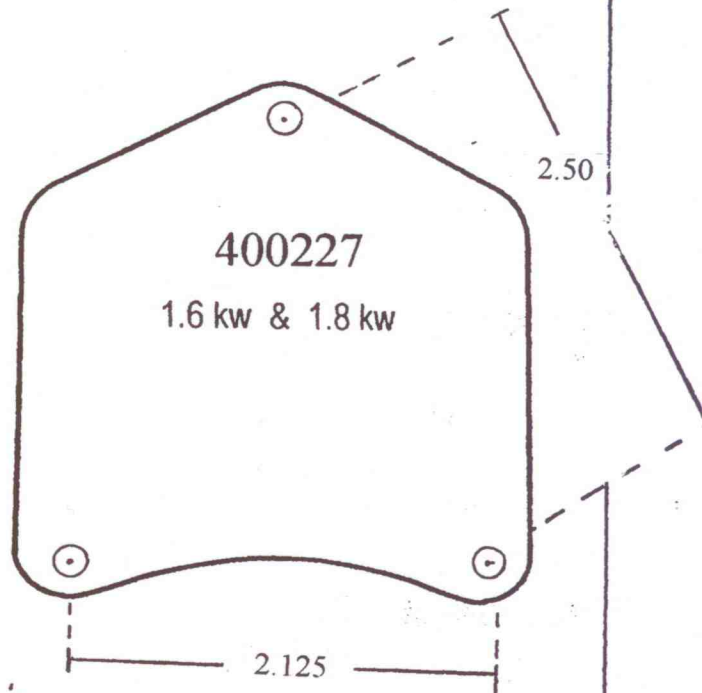
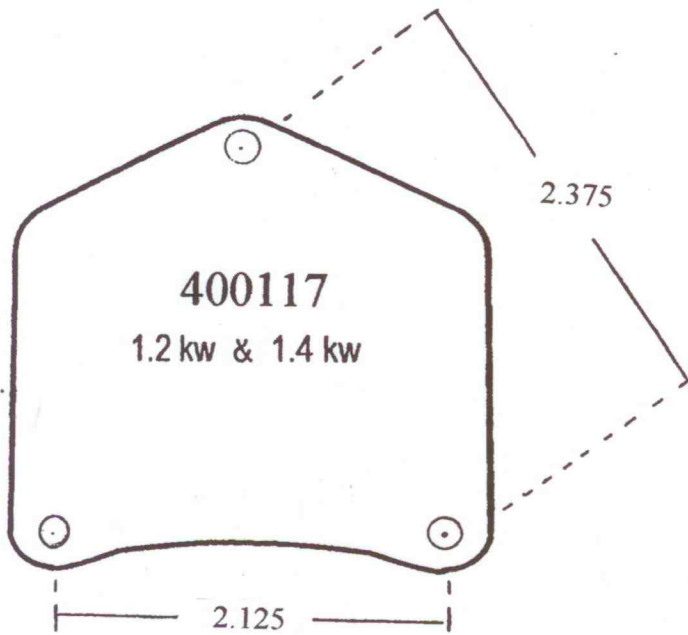


STARTER BUTTON



SOLENOID MATCHING TEMPLATE



Identify your model of starter by choosing the shape that most closely matches your current solenoid cover.



Measurements are hole center to hole center