

PATRIOT[®]

Exhaust Products

A PerTronix Performance Brand



2018

PATRIOT[®]

Exhaust Products

Patriot Exhaust Products continues to offer the best value for the dollar of any header brand in the industry. Known for years as the primary exhaust supplier to the Street Rod, Custom Car and Muscle Car enthusiast, our 2018 Catalog will not disappoint you with many new products and updates.

NEW this year, Patriot enters into the GM LS cast manifold market with a new vision for this product category featuring a tubular cast manifold maximizing fitment and adding a sealing dome and 304 series stainless reducer that is sure to put this manifold at the top of the custom builders checklist. Check out catalog listings for more application information.

We are excited to be a Pertronix Performance Brand and look forward to continuing a 40 plus year tradition of supplying quality products and excellent customer service.

Visit our website www.patriotexhaust.com to locate your nearest dealer or to order online.





Introduction
Header facts 2
How to use this catalog 3

Headers
Tight Tuck Headers4-5
Lakester Headers6-7
Roadster Sprint Car Headers8-9
Street Rod Headers10-11
GM LS Cast Tubular Manifolds 12
Engine Swap Headers 12
Passenger Car Headers13-17
Truck Headers18-19
Classic Import Headers 20
Racing Headers & Weld-Up Kits20-21

Side Exhaust
Shielded Side Pipes & Side Tube Turnouts 22
Lake Pipes 23

Mufflers24-25

Exhaust Tips 26

Components and Accessories
Exhaust Accessories 27-28
Formed Collectors & Flanges 29
Header Flange Kits 30
Gaskets 31
J Bends, U Bends & Speciality Bends32-34

Picture Gallery35-41

Part Number Index42-43

Footnote Summary 44

Warranty Inside back cover



HEADER FACTS

What finish is applied to a Patriot headers?

Most Patriot headers are available in raw steel for individual customizing. However, the preferred finish continues to be our Metallic Ceramic Thermal Barrier Coating (MCTBC). MCTBC protects and extends the life of headers by creating a thermal barrier which significantly lowers under hood temperatures and protects the substrate metal from thermal fatigue. After MCTBC is applied, it is polished with a vibratory finishing process that produces a high luster aluminum appearance. The polishing process compresses and activates the coating, creating a surface which is harder and 60% more corrosion resistant than an unpolished surface. This coating is easy to maintain and will last for years under normal operating conditions.

Patriot also offers a Hi-Temp Black Coating available on Patriot headers and side tubes. An affordably priced alternative to our MCTBC, our Hi-Temp Black finish provides good corrosion and heat protection when compared to many of the “cheaper” header finishes being applied by our competitors.

Check our catalog listing for complete product information.

What should I do if I encounter an installation problem with my header?

Header installation for the most part can be accomplished with simple hand tools, a floor jack and jack stands. Some applications can be very time consuming due to limited space in the engine compartment. Should you encounter a fitment problem do not attempt to modify or alter the header in any way or your warranty will become void. Call our knowledgeable technical staff for assistance at 909-547-9058. Headers returned without prior written authorization will be refused. Read our complete warranty policy on the last page of this catalog.

Do all Patriot headers have the same basic design?

No, absolutely not. Patriot headers are designed for specific applications. The type of header design will change depending on the intended vehicle usage and emissions requirements. Patriot headers for conventional V-8 applications utilize several types of header designs:

Long Tube Headers

Long Tube Headers are typically used for higher RPM horsepower, but can also increase the mid range torque in applications where there is room to fit a long tube design.



Roadster Headers

Classic or the high performance Sprint style Roadster headers are typically used in T buckets and Hi-Boy Street rods.



Mid Length Headers

Mid Length or “clippster” Headers provide improved ground clearance for popular muscle cars and street rods.



Lakester Headers

Lakester headers capture the look and performance reminiscent of the Bonneville and Dry Lakes racers. Traditional Lakesters are used without any additional exhaust system, while Classic Lakesters have provision for an under car exhaust system.



Tight Tuck Headers

Tight Tuck Headers are the best solution for narrow frame rail street rods.



LS Cast Manifolds

Patriot’s cast iron manifolds for GM LS engines offer a wide variety of fitment applications maximizing engine bay clearance.



Fenderwell Headers

Fenderwell headers provide the ultimate performance for street rodders with performance engines. These “up and over” headers create an awesome gasser look.



Weld Up Kits

Weld-up header kits work great when a specific fit header or style is not available. Kits include mandrel bent tubes, flanges and collectors.





HOW TO USE THIS CATALOG

Patriot header application information is grouped into sections by product type. The street rod, passenger car, 2WD & 4WD truck and engine swap headers are listed in their respective sections. Within each section applications are listed by vehicle make and model when applicable, then engine family and year(s). Applications may have associated footnotes containing critical product and fitment information. A footnote key can be found at the bottom of most odd numbered pages. Please make sure that you thoroughly read the footnotes prior to ordering. The following list defines some of the abbreviations and acronyms that are found in this catalog:

The following list defines some of the abbreviations and acronyms that are found in this catalog:

A/C Air conditioning	FLR Floor	REC Rectangle Port
AUTO Automatic transmission	OVL Oval Port	SAP Same As Port
COL Column shift	P/B Power Brakes	STD Standard Transmission
COLL Collector	P/S Power Steering	SQ Square Port
DIA Diameter	RD Round Port	

EMISSION CODES

Patriot uses a voluntary product identification program whereby all emission-sensitive products can be identified by placing numbered labels in product packaging and listing corresponding numeric codes next to each part number. The corresponding numbers and explanations are as follows:



This Product has been granted a California Air Resources Board (CARB) "E.O" (Executive Order) Exemption, or is considered a Direct Replacement or Consolidated Replacement part. It is 50 State Legal when installed on the appropriate vehicle per the Manufacturer Application guide and Installation Instructions.



This product is Legal for use on 1974 and older Non-Catalyst equipped vehicles and is considered a "Replacement Part" per California Air Resources Board regulations, as long as ALL emissions sensitive components are retained, Including EGR, A.I.R., Heat Risers etc. Failure to retain any of these components , or use on 1975 or newer Catalyst equipped vehicles, would render this product Illegal for Street or Off Highway use and may only be used for Closed Course Competition.



This product is ILLEGAL for Street or Off Highway use and is only intended for Closed Course Competition use, EXCEPT for 1965 and older US manufactured, California Certified vehicles; 1967 and older US manufactured, Federal Certified vehicles, or 1967 and older Foreign manufactured vehicles, which may have this product installed as long as the vehicle still meets emissions standards for the year of the vehicle and retains any original or retrofit emissions control devices, including EGR, A.I.R. and any NOx device required for the year of the vehicle.



TIGHT TUCK HEADERS



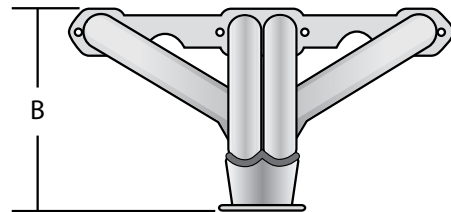
TIGHT TUCK HEADERS

Tight Tuck headers are the solution to many problems associated with engine swaps in modern street rods. Tight Tucks fit in the tightest of engine compartments and clear most stock motor mounts. Most headers are manufactured from durable 16-gauge tubing and comes complete with gaskets, header bolts and collector reducers.

ENGINE	RAW STEEL	HI-TEMP BLACK COATING	METALLIC CERAMIC COATING	CHROME	STAINLESS STEEL	EMISSION CODE	FOOTNOTES	TUBE SIZE	COLLECTOR SIZE	PORT SHAPE
BUICK NAILHEAD										
401-425	H8500	H8500-B	H8500-1	-----	-----	◆	11	1 5/8"	2 1/2"	SAP
CADILLAC										
425, 472, 500	H8064	-----	H8064-1	-----	-----	◆	11	1 7/8"	3"	SAP
CHEVROLET										
4.3L V6	H8067	H8067-B	H8067-1	-----	-----	◆	11	1 1/2"	2 1/2"	SQ
265-400	H8019	H8019-B	H8019-1	-----	-----	◆	11, 12, 15, 16, 17, 24, 36	1 5/8"	2 1/2"	OVL
265-400	H8027	H8027-B	H8027-1	H8028	-----	◆	1, 11, 15, 16, 20, 24, 36	1 5/8"	2 1/2"	RD
265-400	H8037	H8037-B	H8037-1	-----	-----	◆	11, 15, 16, 17, 24, 36	1 5/8"	2 1/2"	RD
265-400	H8052	H8052-B	H8052-1	-----	H8053	◆	11, 15, 17, 24, 36, 81	1 5/8"	2 1/2"	OVL
265-400	H8065	H8065-B	H8065-1	-----	-----	◆	11, 17, 36, 217	1 5/8"	2 1/2"	OVL
NEW 5.3/6.2L DFI	H8083	H8083-B	H8083-1	-----	-----	◆	11, 34, 85	1 3/4"	2 1/2"	SAP
LS1-LS9	H8014	H8014-B	H8014-1	-----	-----	◆	11, 16, 86, 107	1 5/8"	2 1/2"	RD
LS1-LS9	H8006	H8006-B	H8006-1	-----	-----	◆	11, 85, 86, 107	1 3/4"	2 1/2"	RD
LS1-LS9	H8086	H8086-B	H8086-1	-----	-----	◆	11, 34, 85	1 3/4"	2 1/2"	RD
LS E-ROD	H8080	H8080-B	H8080-1	-----	-----	◆	16, 34, 121, 182	1 3/4"	2 1/2"	RD
348-409	H8066	H8066-B	H8066-1	-----	-----	◆	11	1 3/4"	2 1/2"	SAP
396-502	H8029	H8029-B	H8029-1	-----	-----	◆	11, 15, 16, 20, 24, 37	1 3/4"	2 1/2"	SAP
FORD										
FLATHEAD	-----	H8090	H8090-1	-----	-----	◆	11, 16	1 3/4"	2 1/2"	RD
NEW 260-302	H8424	H8424-B	H8424-1	-----	-----	◆	5, 223, 228, 229, 232, 233	1 5/8"	2 1/2"	OVL
260-351W	H8427	H8427-B	H8427-1	H8428	-----	◆	7, 11, 16, 20, 55, 201	1 5/8"	2 1/2"	OVL
260-351W	H8482	H8482-B	H8482-1	-----	-----	◆	11, 16, 47, 217, 228	1 5/8"	2 1/2"	OVL
429-460	H8437	H8437-B	H8437-1	-----	-----	◆	11	1 3/4"	3"	SAP
5.0L COYOTE	H8483	H8483-B	H8483-1	-----	-----	◆	11, 34, 85	1 3/4"	2 1/2"	SAP
MOPAR										
318-360	H8205	H8205-B	H8205-1	-----	-----	◆	11, 15	1 5/8"	2 1/2"	SAP
331-392 HEMI	H8204	-----	-----	-----	-----	◆	11	2"	3"	RD
5.7 / 6.1L HEMI	H8201	H8201-B	H8201-1	-----	-----	◆	11, 86	1 3/4"	2 1/2"	SAP

HEADER DIMENSIONS

PART NO.	DIMENSION A LEFT	DIMENSION A RIGHT	DIMENSION B LEFT	DIMENSION B RIGHT
H8006	3.5	3.5	12	12
H8014, H8064	4"	4"	11"	11"
H8019, H8500	4 1/2"	4 1/2"	10"	10"
H8027, H8028	4"	4"	10"	10"
H8029	4 1/2"	4 1/2"	12 1/4"	12 1/4"
H8037	4"	4"	12 1/2"	12 1/2"
H8052, H8053	4"	4"	6"	6"
H8065	3 1/2"	3 1/2"	11"	11"
H8066	2"	2"	8 1/2"	8 1/2"
H8067	3 1/2"	4"	5 1/4"	7 1/2"
H8080	4 1/2"	4"	8"	8 1/2"
H8090	4"	4"	9"	9"
H8204	3"	3"	10"	10"
H8205	3"	3"	10 1/2"	10 1/2"
H8427, H8428	4 1/2"	4 1/2"	11"	11"
H8437	5"	5"	12"	12"
H8482	2"	2 3/4"	11 1/2"	11 1/2"





TIGHT TUCK HEADERS



H8006-1



H8014-1



H8019-1



H8027-1



H8029-1



H8037-1



H8052-1



H8064-1



H8065-1



H8066-1



H8067-1



H8080-1



H8083-1



H8090-1



H8201-1



H8204-1



H8205-1



H8427-1



H8437-1



H8482-1



H8483-1



H8500-1

FOOTNOTES

- | | | |
|--|--|---|
| <p>1 Does not fit angle plug heads</p> <p>7 157 tooth flywheel use Pertronix Starter # S3003P/B or Ford Racing Mini Starter #M-11000-B51 for 167 tooth flywheel use Pertronix Starter #S3004P/B or Ford Racing Mini Starter #M-11000-MT164</p> <p>11 Universal block hugger design</p> <p>12 Dome type reducer kit available separately part # H7247</p> <p>15 Can be used with most oil filter system or transmission and starter combination</p> <p>16 Tucks very close to engine</p> <p>17 Fits most angle plug heads</p> <p>20 Chrome headers are polished before and after assembly for show quality appearance. Chrome will discolor over time from heat of the engine</p> | <p>24 Tight tuck headers do not fit 55-57 Chevys, Camaros or other modern vehicles which have a crossmember below the engine's center two exhaust ports. See catalog specific fit applications for your vehicle</p> <p>34 Rear Exit design</p> <p>36 Fits D-Port cylinder heads including ZZ4 crate engines. Will Not fit GM Fast Burn head PN 19300955 or SP350, SP383 & ZZ6 engines</p> <p>37 Fits standard deck big blocks only, will not fit tall deck 572 or aftermarket equivalent</p> <p>47 Fits with stock, Mustang and Vega steering</p> <p>55 Fits GT40 "P" head</p> <p>81 This header is shorter than other tight tucks allowing more room for steering components.</p> | <p>85 O2 bungs are welded on both collectors.</p> <p>86 Weld on oxygen sensor bungs are provided with the collector reducer kit.</p> <p>107 LS1/LS6 engines require the use of a LS1 oil pan for proper header fit.</p> <p>121 50-State Legal header C.A.R.B. E.O. #D-57-33</p> <p>182 Header bolts directly to E-Rod catalytic converters</p> <p>201 Designed to fit engines with forward sump oil pans</p> <p>217 Flat collector design for maximum frame clearance</p> <p>228 Will not fit GT40 "P" head</p> |
|--|--|---|



LAKESTER HEADERS

LAKESTER



TRADITIONAL LAKESTER

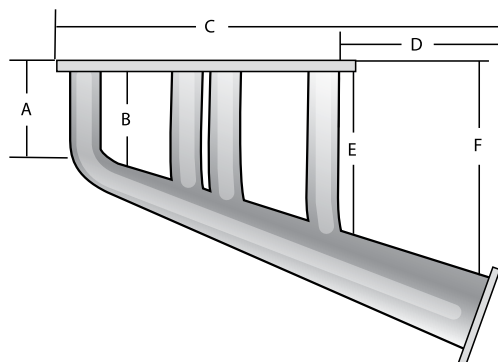
LAKESTER HEADERS

Give your rod a nostalgic look with a Lakester style header. Our classic lakester design allows for hookup to an under chassis exhaust system, but by removing the provided block-off plates you can easily uncork your headers.

The traditional Lakester headers capture the look and performance reminiscent of the Bonneville and Dry Lakes racers. Traditional Lakester headers are designed for use with no other exhaust system for that open header style and sound or use our muffler inserts on page 7 for a more mild sound.

ENGINE	HI-TEMP BLACK COATING	METALLIC CERAMIC COATING	EMISSION CODE	FOOTNOTES	TUBE SIZE	COLLECTOR SIZE	PORT SHAPE
BUICK NAILHEAD							
LAKESTER							
401-425	H8503	-----	2	172	1 5/8"	3 1/2"	SAP
TRADITIONAL LAKESTER							
401-425	H8501	H8501-1	2	10	1 5/8"	3 1/2"	SAP
CHEVROLET							
LAKESTER							
265-400	H8040	H8040-1	2	17, 20, 36, 172	1 5/8"	3 1/2"	OVL
348-409	H8074	-----	2	172	1 7/8"	3 1/2"	SAP
TRADITIONAL LAKESTER							
265-400	H8084	H8084-1	2	10, 17, 36	1 5/8"	3 1/2"	OVL
FORD							
LAKESTER							
FLATHEAD	H8474	H8474-1	2	172	1 3/4"	3 1/2"	RD
260-351W	H8431	H8431-1	2	20, 55, 172	1 5/8"	3 1/2"	OVL
TRADITIONAL LAKESTER							
FLATHEAD	H8472	H8472-1	2	10	1 3/4"	3 1/2"	RD
260-351W	H8471	H8471-1	2	10, 55	1 5/8"	3 1/2"	OVL
MOPAR							
LAKESTER							
331-392 HEMI	H8208	H8208-1	2	172	1 7/8"	3 1/2"	RD
TRADITIONAL LAKESTER							
331-392 HEMI	H8210	H8210-1	2	10	1 7/8"	3 1/2"	RD

LAKESTER HEADER DIMENSIONS



PART NO.	DIM. A	DIM. B	DIM. C	DIM. D	DIM. E	DIM. F
H8040	6 1/2"	4 1/4"	28 1/2"	11"	8 1/2"	12"
H8074	3"	5 3/4"	28"	8 3/4"	9 1/2"	11 1/2"
H8084	6 1/2"	4 1/4"	28 1/2"	11"	8 1/2"	12"
H8208, 10	7"	5 3/4"	34"	14"	8"	9"
H8431	7 1/2"	6"	27"	17 1/2"	10 1/4"	11 3/4"
H8471	7 1/2"	6"	27"	17 1/2"	10 1/4"	11 3/4"
H8472, 74	5"	6"	34"	16"	9 1/2"	13"
H8501, 03	7"	5 1/2"	27"	8"	9"	10"



LAKESTER HEADERS



LAKESTER WELD-UP KITS

Our weld-up header kits work great for street rodders and racers who want to build custom headers to give their rods a unique look. Lakester style header kits featuring 16 gauge mild steel tubing and specially designed tapered collector cones. Each kit includes all the necessary tubes, flanges, gaskets and hardware.

ENGINE	PART NO.	FOOTNOTES	TUBE SIZE	COLLECTOR SIZE	PORT SHAPE
BUICK NAILHEAD					
401-425	H8504	41, 172	1 5/8"	3 1/2"	SAP
CHEVROLET					
265-400	H8001	41, 172	1 5/8"	3 1/2"	OVL
265-400	H8002	41, 172	1 5/8"	4"	OVL
348-409	H8075	41, 172	1 7/8"	3 1/2"	SAP
396-502	H8003	41, 172	1 7/8"	3 1/2"	SAP
396-502	H8004	41, 172	1 7/8"	4"	SAP
FORD					
FLATHEAD	H8475	41, 172	1 3/4"	3 1/2"	RD
260-351W	H8414	41, 55, 172	1 5/8"	3 1/2"	OVL
MOPAR					
331-392 HEMI	H8209	41, 172	1 7/8"	3 1/2"	RD

LAKESTER TURNOUTS KITS

Add the finishing touch to lakester headers with one of our turn out kits. Lakester turnouts include gaskets and hardware for simple installation. Traditional lakester turnouts are designed with an inner centric ring for precise fit and near seamless appearance. Available black or metallic ceramic coated.

TRADITIONAL LAKESTER MUFFLER

Tame the bark of your traditional lakesters with this muffler insert. Made to slip perfectly into the collector of our traditional lakesters and constructed from heavy duty six-sided louvered core and wrapped with hi-temp packing for a longer life.

DESCRIPTION	HI-TEMP BLACK COATING	METALLIC CERAMIC COATING	COLL DIA.	UNIT OF MEASURE
TRADITIONAL LAKESTER TURNOUTS				
Seamless Turnout	H3811	H3811-1	3 1/2"	pair
CLASSIC LAKESTER TURNOUTS				
3 1/2" Bolt on Turnout	H1145	H1145-1	3 1/2"	pair
4" Bolt on Turnout	H1146	H1146-1	4"	pair



H3845



H1145-1



H3811

FOOTNOTES

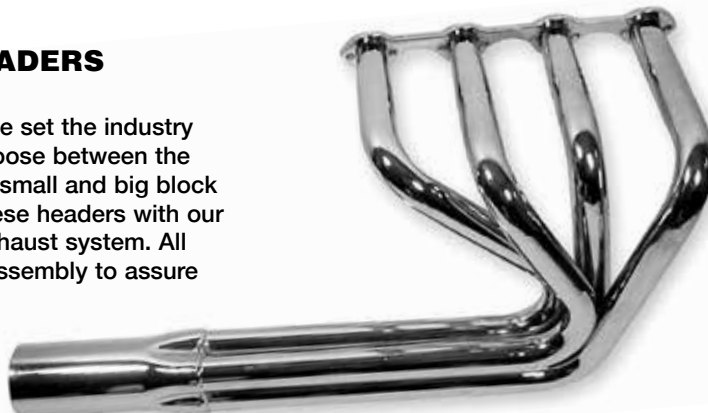
- 10 Outside frame exit
- 17 Fits most angle plug heads
- 20 Chrome headers are polished before and after assembly for show quality appearance. Chrome will discolor over time from heat of the engine
- 36 Fits D-Port cylinder heads including ZZ4 crate engines. Will Not fit GM Fast Burn head PN 19300955 or SP350, SP383 & ZZ6 engines
- 41 Kit includes header flanges, collector flanges, block-off plates, four exhaust hookup flanges, pre-bent header tubes and two collector cones
- 55 Fits GT40 "P" head
- 172 Over frame design with outside exit and provision for exhaust system hookup, Lakester Style



ROADSTER / SPRINT CAR HEADERS

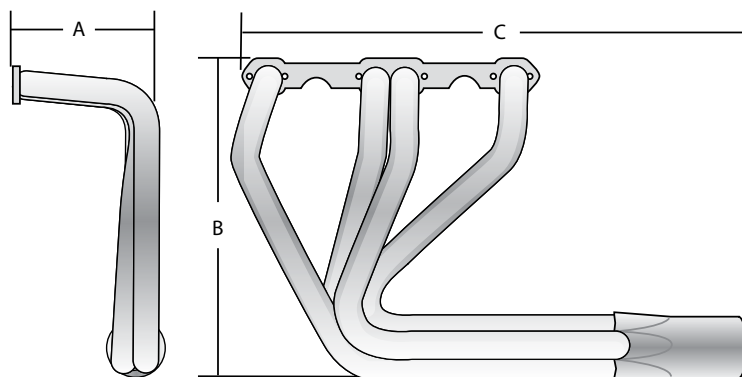
ROADSTER AND SPRINT CAR HEADERS

Roadster "Fad T" and '32 Hi-Boy headers have set the industry standard for style, quality and performance. Choose between the Classic or the high performance Sprint style for small and big block Chevy and small block Ford engines. Match these headers with our turnouts and integral mufflers for a complete exhaust system. All chrome headers are polished before and after assembly to assure ultimate chrome quality 360° around all pipes.



ENGINES	RAW STEEL	HI-TEMP BLACK COATING	METALLIC CERAMIC COATING	CHROME	EMISSION CODES	FOOTNOTES	TUBE SIZE	COLLECTOR SIZE	PORT SHAPE
'32 HI-BOY									
CHEVROLET ENGINES									
265-400	H8071	H8071-B	H8071-1	H8072	2	10, 15, 17, 20, 36	1 5/8"	3 1/2"	RD
CLASSIC STYLE FOR T-BUCKETS									
CHEVROLET ENGINES									
265-400	H8061	H8061-B	-----	H8060	2	10, 15, 17, 20, 36	1 5/8"	3 1/2"	RD
FORD ENGINES									
260-351W	H8467	H8467-B	-----	H8468	2	10, 20, 55	1 5/8"	3 1/2"	OVL
SPRINT CAR STYLE FOR T-BUCKETS									
CHEVROLET ENGINES									
265-400	H8069	H8069-B	H8069-1	H8070	2	10, 15, 17, 20, 36	1 5/8"	3 1/2"	RD
396-502	H8031	H8031-B	H8031-1	H8032	2	10, 15, 20	1 7/8"	3 1/2"	SAP
FORD ENGINES									
260-351W	H8469	-----	-----	-----	2	10, 20, 55	1 5/8"	3 1/2"	OVL

HEADER DIMENSIONS



PART NO.	DIMENSION A		DIMENSION B		DIMENSION C	
	LEFT	RIGHT	LEFT	RIGHT	LEFT	RIGHT
H8031	11 1/2"	11 1/2"	14"	14"	34"	32"
H8061	15 1/2"	15 1/2"	12"	12"	37"	37"
H8069	14 7/16"	13 7/8"	14"	14 1/8"	29 1/4"	28 3/4"
H8071	14 3/4"	14 3/4"	13 3/4"	13 3/4"	30"	30"
H8467	13 1/2"	14"	12"	12"	35"	35"
H8469	15"	15"	14"	14"	28"	28"



ROADSTER / SPRINT CAR HEADERS



SPRINT STYLE WELD-UP KITS

Sprint style header kits work for outside frame street rod applications, sprint cars, and front strut type drag cars. Sprint style kits come with 8 mandrel bent one piece primaries, 2 flanges, formed collectors, gaskets and bolts.

ENGINE	PART NO.	FOOTNOTES	TUBE DIAMETER	COLLECTOR DIAMETER
CHEVROLET				
265-400	H8009	8, 10	1 1/2"	3"
265-400	H8007	8, 10	1 5/8"	3"
265-400	H8011	8, 10	1 3/4"	3"
265-400	H8016	8, 10, 74	1 3/4"	3 1/2"
396-502	H8005	8, 10	2"	3 1/2"
FORD				
260-351W	H8410	8, 10, 55	1 5/8"	3 1/2"

SHIELDED SIDE TUBE TURNOUT

This shielded turnout features a classic slotted one-piece shield that will give your rod a great custom look and provide burn protection when exiting the car. Its built-in six sided louvered muffler provides excellent sound control without robbing horsepower. Large 3 1/2" diameter inlet make this turnout the perfect mate to any of our roadster headers.



PART NO.	INLET DIAMETER	CASE DIAMETER	LENGTH
SHIELDED SIDE TUBE TURNOUT			
H3824	3 1/2"	3 1/2"	26"

SIDE TUBE TURNOUTS

Side tube turnouts are designed primarily for roadster style headers. Each turnout is constructed from 3 1/2" tube and available with or without built-in six sided louvered mufflers. Turnouts provide the perfect finishing touch to many custom exhaust applications.



RAW STEEL	HI-TEMP BLACK COATING	METALLIC CERAMIC COATING	CHROME	INLET DIAMETER	LENGTH
SIDE TUBE TURNOUTS WITHOUT MUFFLER					
H3817	H3817-B	-----	H3816	3 1/2"	20"
H3819	H3819-B	H3819-1	H3820	3 1/2"	26"
SIDE TUBE TURNOUTS WITH MUFFLER					
H3812	H3812-B	H3812-1	H3818	3 1/2"	20"
H3821	H3821-B	H3821-1	H3822	3 1/2"	26"

FOOTNOTES

8	Kits consist of 8 mandrel bent header tubes, flange kit and formed collectors	17	Fits most angle plug heads	55	Fits GT40 "P" head
10	Outside frame exit	20	Chrome headers are polished before and after assembly for show quality appearance. Chrome will discolor over time from heat of the engine	74	Fits Brodix spread port style heads with staggered bolt pattern
15	Can be used with most oil filter system or transmission and starter combination				



STREET ROD HEADERS

STREET ROD HEADERS

Patriot Street Rod Headers are the solution when a universal Tight Tuck won't fit, or when you want more power. Street Rod Headers are available in Mid Length, Long Tube, and Fenderwell designs. Mid Length Headers offer greater performance over Tight Tucks yet have excellent ground clearance on lowered applications. Long Tube Headers are the ultimate performance header with longer primary tubes for maximum torque and horsepower. Fenderwell Headers offer the same performance benefits in an over the chassis exit design for more steering and engine compartment room and that gasser look. Applications for 1920's through 1950's Ford and Chevy engine and frame combinations, plus popular front frame clip swaps.



YEARS	ENGINES	RAW STEEL	HI-TEMP BLACK COATING	METALLIC CERAMIC COATING	EMISSION CODES	FOOTNOTES	TRANS AUTO	TRANS STD	TUBE SIZE	COLL SIZE	PORT SHAPE
CHEVROLET / GMC ENGINES											
STREET RODS WITH FORD CHASSIS											
LONG TUBE HEADERS											
28-34	265-400	H8017	H8017-B	H8017-1	◆	15, 17, 36, 45, 46	Y	Y	1 1/2"	3"	RD
NEW	28-48	LS1-LS9	H8098	H8098-B	H8098-1	◆	85, 222	Y	Y	1 3/4"	3" D-PORT
28-48	265-400	H8018	H8018-B	H8018-1	◆	16, 17, 19, 36, 45, 46	Y	Y	1 1/2"	3"	RD
28-48	265-400	H8039	H8039-B	H8039-1	◆	16, 17, 19, 36, 45, 46	Y	Y	1 5/8"	3"	REC
FENDERWELL HEADERS											
28-48	265-400	H8089	H8089-B	H8089-1	◆	17, 36, 172	Y	Y	1 3/4"	3"	OVL
FAT FENDERED STREET RODS (MOST CHASSIS)											
LONG TUBE HEADERS											
NEW	28-54	LS1-LS9	H8098	H8098-B	H8098-1	◆	85, 222	Y	Y	1 3/4"	3" D-PORT
FENDERWELL HEADERS											
35-48	265-400	H8033	H8033-B	H8033-1	◆	4, 10, 15, 17, 19, 36	Y	Y	1 5/8"	2 1/2"	RD
CAMARO FRONT CLIP											
MID LENGTH HEADERS											
67-81	265-400	H8056	H8056-B	H8056-1	◆	5, 17, 36, 52, 61, 93, 96, 202, 214	N	Y	1 5/8"	3"	OVL
67-81	265-400	H8021	H8021-B	H8021-1	◆	5, 17, 36, 52, 61, 202	Y	N	1 5/8"	3"	RD
67-81	396-502	H8012	H8012-B	H8012-1	◆	5, 52, 54, 69, 202	Y	Y	1 3/4"	3"	SAP
67-81	396-502	H8013	H8013-B	H8013-1	◆	5, 52, 54, 69	Y	Y	1 7/8"	3"	SAP
67-69	LS1-LS9	-----	H8076	H8076-1	◆	5, 180	Y	Y	1 5/8"	3"	RD
LONG TUBE HEADERS											
70-81	LS1-LS9	H8077	H8077-B	H8077-1	◆	5, 85, 180	Y	Y	1 5/8"	3"	RD
CHEVELLE, MALIBU, EL CAMINO FRONT CLIP											
MID LENGTH HEADERS											
64-77	265-400	H8021	H8021-B	H8021-1	◆	5, 17, 36, 52, 61	Y	N	1 5/8"	3"	RD
68-77	265-400	H8056	H8056-B	H8056-1	◆	5, 17, 36, 52, 93, 96, 202, 214	N	Y	1 5/8"	3"	OVL
68-77	396-502	H8012	H8012-B	H8012-1	◆	5, 52, 54, 69	Y	Y	1 3/4"	3"	SAP
68-77	396-502	H8013	H8013-B	H8013-1	◆	5, 52, 54, 69	Y	Y	1 7/8"	3"	SAP
LONG TUBE HEADERS											
64-77	265-400	H8047	H8047-B	H8047-1	◆	17, 36, 93, 96	Y	Y	1 5/8"	3"	OVL
78-87	265-400	H8096	H8096-B	H8096-1	◆	17, 36, 93, 96, 214	Y	Y	1 5/8"	3"	OVL
CLASSIC TRUCKS											
MID LENGTH HEADERS											
55-65	265-400	H8021	H8021-B	H8021-1	◆	5, 17, 36, 52, 61	Y	N	1 5/8"	3"	RD
LONG TUBE HEADERS											
28-34	265-400	H8017	H8017-B	H8017-1	◆	15, 17, 36, 45, 46	Y	Y	1 1/2"	3"	RD
NEW	37-59	LS1-LS9	H8098	H8098-B	H8098-1	◆	85, 222	Y	Y	1 3/4"	3" D-PORT



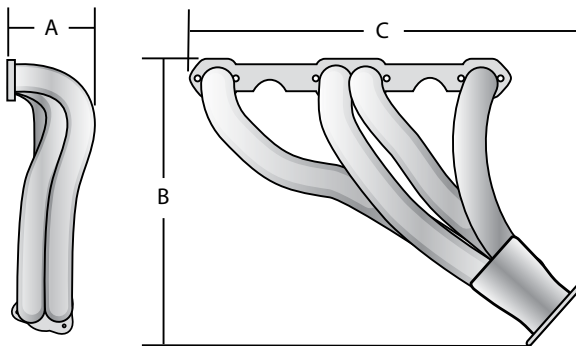
PATRIOT®

Exhaust Products

STREET ROD HEADER

YEARS	ENGINES	RAW STEEL	HI-TEMP BLACK COATING	METALLIC CERAMIC COATING	EMISSION CODES	FOOTNOTES	TRANS AUTO	STD	TUBE SIZE	COLL SIZE	PORT SHAPE
FORD ENGINES											
CLASSIC TRUCKS											
LONG TUBE HEADERS											
NEW 48-56	LS1-LS9	H8098	H8098-B	H8098-1	◆	85, 222	Y	Y	1 3/4"	3"	D-PORT
53-56	223 6 CYL	H8425	H8425-B	H8425-1	◆	58, 59	Y	Y	1 1/2"	2"	REC
53-64	272-312Y	H8422	H8422-B	H8422-1	◆		Y	Y	1 1/2"	3"	SAP
FENDERWELL HEADERS											
53-56	292-312Y	-----	H8440	-----	◆	4	Y	N	1 1/2"	3"	SAP
STREET ROD WITH FORD CHASSIS											
MID LENGTH HEADERS											
27-48	260-351W	H8420	H8420-B	H8420-1	◆	100, 228	Y	Y	1 5/8"	2 1/2"	REC
64-73	260-302W	H8433	H8433-B	H8433-1	◆	5, 34, 196, 223	Y	Y	1 5/8"	3"	REC
27-48	351C-400M	H8435	H8435-B	H8435-1	◆	5, 88, 171	Y	Y	1 3/4"	3"	OVL
27-48	351C-400M	H8436	H8436-B	H8436-1	◆	5, 89, 171	Y	Y	1 3/4"	3"	SAP
LONG TUBE HEADERS											
27-34	260-351W	H8429	H8429-B	H8429-1	◆	19, 45, 47, 228	Y	Y	1 1/2"	2 1/2"	OVL

HEADER DIMENSIONS



PART NO.	DIMENSION A		DIMENSION B		DIMENSION C	
	LEFT	RIGHT	LEFT	RIGHT	LEFT	RIGHT
H8012	2 1/4"	2"	15 3/8"	13"	22"	27 1/2"
H8013	3"	4"	12"	12"	19 1/2"	26"
H8017	3 1/2"	3 1/2"	16 3/4"	16 3/4"	19"	19"
H8018	3 1/2"	3 1/2"	17 1/2"	17 1/2"	23 1/4"	23 1/4"
H8021	4 1/8"	4 1/4"	15"	11"	23"	25"
H8033	7 1/2"	7 1/2"	14 1/2"	14 1/2"	27"	27"
H8035	10"	10"	17"	17"	29"	26 1/2"
H8036	7"	3 5/8"	8 1/2"	8 1/2"	21"	22"
H8039	3 3/4"	3 3/4"	17 1/2"	17 1/2"	23 1/4"	23 1/4"
H8056	3 1/2"	3 1/2"	13"	13"	17"	24"
H8073	3"	11"	17"	4"	7"	21"
H8420	4"	4"	8"	8"	22"	21"
H8429	3"	3 1/4"	18"	18 1/2"	19"	19 1/2"
H8433	3 1/2"	5"	8"	10"	24"	23"
H8435	4 1/2"	5"	9"	4"	16"	20 1/2"
H8436	3 1/2"	3 1/2"	8"	4 1/2"	15"	20"

FOOTNOTES

4	Fenderwell exit	54	Fits with manual and auto trans floor shifts only	126	Tri Y design
5	Mid Length Design for Maximum Ground Clearance	58	Header uses dual collector design for increased torque	171	Passenger side header has rear exit
10	Outside frame exit	59	Fits the flathead six engine but does not provide for heat exchange to the stock cast intake manifold	172	Over frame design with outside exit and provision for exhaust system hookup, Lakester Style
15	Can be used with most oil filter system or transmission and starter combination	61	Does not fit 67-69 Camaro with A/C	180	Requires a Doug's LS1 adapter plate kit P/N SK100 or equivalent including American Tour Specialties.
16	Tucks very close to engine	69	Big block frame stands and motor mounts must be used to insure proper engine location and header fit.	196	Lakewood bell housings require clearancing for header tubes
17	Fits most angle plug heads	85	O2 bungs are welded on both collectors.	202	Will fit OE Suspension & Detroit Speed & Engineering front subframes with rack and pinion steering
19	Check motor mount position before ordering	88	Fits two barrel heads, 351C 2V	214	Must use non-shell type motor mounts
34	Rear Exit design	89	Fits four barrel heads, 351C 4V, Boss 351	222	Fits TCI or equivalent Mustang II Suspension Rack and Pinion equipped cars
36	Fits D-Port cylinder heads including ZZ4 crate engines. Will Not fit GM Fast Burn head PN 19300955 or SP350, SP383 & ZZ6 engines	93	Requires removal or modification of locking steering columns if equipped	223	Will fit with AOD Transmissions
45	Fits with side or front motor mounts	96	Installation requires left side A/C bracket part number H7608. 1979 and later vehicles with short compressors can use the stock bracket.	228	Will not fit GT40 "P" head
46	Fits with stock, Mustang, Vega or Saginaw steering	100	Vehicles with air Injection heads will require grinding of the header flange to fit.		
47	Fits with stock, Mustang and Vega steering				
52	Will not fit 67-69 Camaro or 68-74 Nova with Factory Saginaw 800 power steering box				



ENGINE SWAP HEADERS



LS CAST TUBULAR MANIFOLD FOR LS

Patriot's cast iron manifolds for GM LS engines offer a wide variety of fitment applications maximizing engine bay clearance. The Patriot LS cast manifold also incorporates a sealing dome and ships with a pair of 304 series stainless steel reducers to help route your exhaust system with more adjustment options than the competition. No more expensive GM gaskets needed to get you on the road. These manifolds fit many LS engine swaps outlined in this catalog.

DESCRIPTION	EMISSION CODE	RAW CAST	HI-TEMP BLACK COATING	METALLIC CERAMIC COATING
NEW Patriot LS Cast Manifold	◆	H8097	H8097-B	H8097-1



ENGINE SWAP HEADERS

Patriot offers some very popular engine swap headers that are designed to fit with most popular aftermarket engine swap kits. Patriot headers add the extra horsepower and torque that we know you are expecting.

YEARS	ENGINES	RAW STEEL	HI-TEMP BLACK COATING	METALLIC CERAMIC COATING	EMISSION CODES	FOOTNOTES	AUTO STD					TUBE SIZE	COLL SIZE	PORT SHAPE				
							AC	P/B	P/S	COL	FL				COL	FL		
BEL AIR, WAGON & NOMAD																		
MID LENGTH HEADERS																		
55-57	LS1-LS9	H8046	H8046-B	H8046-1	◆	5, 85, 107, 108, 180, 212	Y	Y	Y	Y	Y	N	Y	1 3/4"	3"	RD		
LONG TUBE HEADERS																		
55-57	396-502	H8023	H8023-B	H8023-1	◆	3, 19, 23, 37, 105, 192	Y	Y	Y	Y	Y	N	N	1 7/8"	3"	SAP		
55-57	396-502	H8078	H8078-B	H8078-1	◆	19, 37, 105, 211, 224	Y	Y	Y	N	Y	N	Y	1 7/8"	3"	SAP		
FENDERWELL HEADERS																		
NEW	55-57	265-400	H8034	H8034-B	H8034-1	◆	4, 13, 14, 15, 17, 19, 108	Y	Y	Y	Y	Y	N	Y	1 3/4"	3"	SAP	
55-57	396-502	H8035	H8035-B	H8035-1	◆	4, 13, 14, 15, 19	Y	Y	Y	Y	Y	N	Y	2"	3 1/2"	SAP		
CAMARO																		
CAST MANIFOLD																		
NEW	70-81	LS1-LS9	H8097	H8097-B	H8097-1	◆		Y	Y	Y	Y	Y	Y	Y	Y	Y	NA	2 1/2" D-PORT
MID LENGTH HEADERS																		
67-69	LS1-LS9	-----	H8076	H8076-1	◆	5, 180	Y	Y	Y	N	Y	N	Y	1 5/8"	3"	RD		
LONG TUBE HEADERS																		
NEW	67-81	LS1-LS9	H8098	H8098-B	H8098-1	◆	85, 222	Y	Y	Y	Y	Y	N	Y	1 3/4"	3"	D-PORT	
70-81	LS1-LS9	H8077	H8077-B	H8077-1	◆	5, 85, 180	Y	Y	Y	N	Y	N	Y	1 5/8"	3"	RD		
NOVA																		
MID LENGTH HEADERS																		
68-74	LS1-LS9	-----	H8076	H8076-1	◆	5, 180	Y	Y	Y	N	Y	N	Y	1 5/8"	3"	RD		
LONG TUBE HEADERS																		
NEW	62-74	LS1-LS9	H8098	H8098-B	H8098-1	◆	85, 222	Y	Y	Y	Y	Y	N	Y	1 3/4"	3"	D-PORT	
75-79	LS1-LS9	H8077	H8077-B	H8077-1	◆	5, 85, 180	Y	Y	Y	N	Y	N	Y	1 5/8"	3"	RD		
2WD 1/2 & 3/4 TON PICKUP																		
73-87	LS1-LS9	H8087	H8087-B	H8087-1	◆	5, 85, 87, 212	Y	Y	Y	Y	Y	N	N	1 3/4"	3"	RD		
2WD BLAZER, JIMMY, S10, S15																		
MID LENGTH HEADERS																		
82-04	265-400	-----	H8036	H8036-1	◆	1, 5, 36, 67, 68	Y	Y	Y	N	Y	N	N	1 1/2"	2 1/2"	RD		
82-04	LS1-LS9	-----	H8073	H8073-1	◆	5, 67, 85	Y	Y	Y	Y	N	N	N	1 5/8"	2 1/2"	RD		
4WD BLAZER, JIMMY, S10, S15																		
82-95	265-400	-----	H8051	H8051-1	◆	1, 36, 67, 78	Y	Y	Y	Y	Y	N	N	1 1/2"	2 1/2"	RD		



PASSENGER CAR HEADERS



PASSENGER CAR HEADERS

Patriot offers headers for many applications at prices you can afford. Built with surface machined thick steel flanges for a great seal and mandrel bent mild steel tubing. Patriot headers come with installation hardware, collector reducers, gaskets and installation instructions.

YEARS	ENGINES	RAW STEEL	HI-TEMP BLACK COATING	METALLIC CERAMIC COATING	EMISSION CODES	FOOTNOTES	AUTO			TUBE SIZE	COLL SIZE	PORT SHAPE				
							A/C	D/B	R/S							
AMC																
AMX, JAVELIN, REBEL, AMBASSADOR																
MID LENGTH HEADERS																
68-70	290-401	H8600	H8600-B	H8600-1	◆	5, 164, 231	Y	Y	Y	Y	N	Y	1 5/8"	2 1/2"	SAP	
71-74	290-401	H8600	H8600-B	H8600-1	◆	155, 164, 231	Y	Y	Y	Y	N	Y	1 5/8"	2 1/2"	SAP	
CHEVROLET																
BEL AIR, BISCAYNE, CAPRICE, IMPALA, NOMAD & WAGON																
MID LENGTH HEADERS																
55-57	265-400	H8025	H8025-B	H8025-1	◆	1, 3, 5, 19, 23, 36, 60, 192	Y	Y	Y	Y	N	N	1 5/8"	2 1/2"	RD	
55-57	265-400	H8055	H8055-B	H8055-1	◆	3, 5, 17, 23, 36, 192, 241	Y	Y	Y	Y	N	Y	1 5/8"	2 1/2"	OVL	
55-57	265-400	-----	H8063	H8063-1	◆	1, 5, 19, 23, 36, 60, 211, 212	Y	Y	Y	Y	N	Y	1 5/8"	3"	RD	
55-57	LS1-LS9	H8046	H8046-B	H8046-1	◆	5, 85, 107, 108, 180, 212	Y	Y	Y	Y	N	Y	1 3/4"	3"	RD	
71-94	265-400	H8056	H8056-B	H8056-1	◆	5, 17, 36, 93, 96, 202, 214	Y	Y	Y	N	N	Y	1 5/8"	3"	OVL	
65-74	396-502	H8012	H8012-B	H8012-1	◆	5, 53, 54, 69	Y	Y	Y	N	Y	N	1 3/4"	3"	SAP	
65-74	396-502	H8013	H8013-B	H8013-1	◆	5, 53, 54, 69	Y	Y	Y	N	Y	N	1 7/8"	3"	SAP	
71-94	265-400	H8021	H8021-B	H8021-1	◆	5, 17, 36, 52, 96	Y	Y	Y	Y	N	N	1 5/8"	3"	RD	
LONG TUBE HEADERS																
NEW	50-54	LS1-LS9	H8098	H8098-B	H8098-1	◆	85, 222	Y	Y	Y	Y	N	Y	1 3/4"	3"	D-PORT
	55-57	265-400	H8050	H8050-B	H8050-1	◆	17, 54, 76, 192	Y	Y	Y	N	Y	N	1 3/4"	3"	REC
	65-89	265-400	H8047	H8047-B	H8047-1	◆	17, 93, 96	Y	Y	Y	Y	N	Y	1 5/8"	3"	OVL
	55-57	396-502	H8023	H8023-B	H8023-1	◆	3, 19, 23, 37, 105, 192	Y	Y	Y	Y	N	N	1 7/8"	3"	SAP
	55-57	396-502	H8078	H8078-B	H8078-1	◆	19, 37, 105, 211, 224	Y	Y	Y	N	Y	N	1 7/8"	3"	SAP
	65-70	396-502	H8062	H8062-B	H8062-1	◆	69	Y	Y	Y	Y	Y	Y	2"	3 1/2"	SAP
	71-74	396-502	H8024	H8024-B	H8024-1	◆	49, 69	Y	Y	Y	N	N	N	1 7/8"	3 1/2"	SAP
	71-74	396-502	H8026	H8026-B	H8026-1	◆	49, 69	Y	Y	Y	N	N	N	2"	3 1/2"	SAP
FENDERWELL HEADERS																
NEW	55-57	265-400	H8034	H8034-B	H8034-1	◆	4, 13, 14, 15, 17, 19, 108	Y	Y	Y	Y	N	Y	1 3/4"	3"	SAP
	55-57	396-502	H8035	H8035-B	H8035-1	◆	4, 13, 14, 15, 19	Y	Y	Y	Y	N	Y	2"	3 1/2"	SAP

FOOTNOTES

1	Does not fit angle plug heads	54	Fits with manual and auto trans floor shifts only	108	Will fit with 605 power steering box
3	Fits with stock or 605 steering boxes, aftermarket side engine mounts and rear trans cross member	60	Will not fit with 168 tooth flywheels or kickout aftermarket Oil Pans	155	Shorty header that bolts directly to factory headpipes
4	Fenderwell exit	67	Must use Car Shop inc. or Trans Dapt engine swap kit	164	Dog leg exhaust port
5	Mid Length Desgin for Maximum Ground Clearance	68	Fits with Turbo 350 automatic transmissions with floor shifter only	180	Requires a Doug's LS1 adapter plate kit P/N SK100 or equivalent including American Tour Specialties.
13	May require smaller front tires to avoid contact.	69	Big block frame stands and motor mounts must be used to insure proper engine location and header fit.	192	Header is designed to fit cars using original V-8 pitman arm part number 3719487 not 6 cylinder pitman arm number 3709877. Aftermarket pitman arms must be same configuration as OE for proper header fit.
14	37-57 Chevy applications require alteration of emergency brake rod	76	Fits with Trans Dapt PN 4195 or 4177, Danchuck PN 871, 12184, 17756, 17757, & 16339 or equivalent and stock or 605 steering boxes. Stock mid mount and ears on the frame must removed	202	Will fit OE Suspension & Detroit Speed & Engineering front subframes with rack and pinion steering
15	Can be used with most oil filter system or transmission and starter combination	78	Must replace the stock oil pan with a Canton 16-100 two piece or 16-100T one piece style rear main seal.	211	Designed to fit with Maval/Unisteer rack and pinion or similar steering systems
17	Fits most angle plug heads	85	O2 bungs are welded on both collectors.	212	Will not fit manual transmission cars with factory Z bar clutch linkage
19	Check motor mount position before ordering	87	Requires Doug's LS adapter kit part number SK-100	214	Must use non-shell type motor mounts
23	Will not fit if engine is located more than 3/4" forward for HEI firewall clearance. Fits with Trans Dapt PN 4195 or 4177, Danchuck PN 871, 12184, 17756, 17757, & 16339 or equivalent	93	Requires removal or modification of locking steering columns if equipped	221	Will fit with Borgeson Power Steering Box Conversion
36	Fits D-Port cylinder heads including Z24 crate engines. Will Not fit GM Fast Burn head PN 19300955 or SP350, SP383 & Z26 engines	96	Installation requires left side A/C bracket part number H7608. 1979 and later vehicles with short compressors can use the stock bracket.	222	Fits TCI or equivalent Mustang II Suspension Rack and Pinion equipped cars
37	Fits standard deck big blocks only, will not fit tall deck 572 or aftermarket equivalent	105	Original bellhousing frame mounts must be removed.	224	Fits with Danchuck Mount kit #871, 12184, 17756, 17757, & 16339 or equivalent.
49	Fits 71-74 passenger cars and wagons with auto trans column shift only	107	LS1/LS6 engines require the use of a LS1 oil pan for proper header fit.	231	Modification to stock headpipe may be required in some applications
52	Will not fit 67-69 Camaro or 68-74 Nova with Factory Saginaw 800 power steering box			241	Will fit with CPP 500 Steering box
53	Not recommended for Gen-6 502cid engines with aluminum heads				



PASSENGER CAR HEADERS

YEARS	ENGINES	RAW STEEL	HI-TEMP BLACK COATING	METALLIC CERAMIC COATING	EMISSION CODES	FOOTNOTES	AUTO STD					TUBE SIZE	COLL SIZE	PORT SHAPE			
							AC	P/B	P/S	CO	FL				CO	FL	
CHEVROLET (CONTINUED)																	
CAMARO																	
CAST MANIFOLD																	
NEW	70-81	LS1-LS9	H8097	H8097-B	H8097-1	◆		Y	Y	Y	Y	Y	Y	Y	NA	2 1/2" D-PORT	
MID LENGTH HEADERS																	
	67-81	265-400	H8021	H8021-B	H8021-1	◆	5, 17, 36, 52, 61, 96, 202	Y	Y	Y	Y	N	N		1 5/8"	3"	RD
	67-81	265-400	H8056	H8056-B	H8056-1	◆	5, 17, 36, 52, 61, 93, 96, 202, 214	Y	Y	Y	N	N	N	Y	1 5/8"	3"	OVL
	82-92	265-400	H8068	H8068-B	H8068-1	◆	5, 17, 36, 85	Y	Y	Y	N	Y	N	Y	1 5/8"	3"	RD
	67-81	396-502	H8012	H8012-B	H8012-1	◆	5, 52, 53, 54, 69, 202	Y	Y	Y	N	Y	N	Y	1 3/4"	3"	SAP
	67-81	396-502	H8013	H8013-B	H8013-1	◆	5, 52, 53, 54, 69	Y	Y	Y	N	Y	N	Y	1 7/8"	3"	SAP
	67-69	LS1-LS9	-----	H8076	H8076-1	◆	5, 180	Y	Y	Y	N	Y	N	Y	1 5/8"	3"	RD
	70-81	LS1-LS9	H8077	H8077-B	H8077-1	◆	5, 85, 180	Y	Y	Y	N	Y	N	Y	1 5/8"	3"	RD
LONG TUBE HEADERS																	
NEW	67-81	LS1-LS9	H8098	H8098-B	H8098-1	◆	85, 222	Y	Y	Y	Y	Y	N	Y	1 3/4"	3"	D
	67-81	265-400	H8047	H8047-B	H8047-1	◆	17, 36, 61, 93, 96, 202	Y	Y	Y	Y	N	N	Y	1 5/8"	3"	OVL
	67-69	396-502	H8062	H8062-B	H8062-1	◆	69	Y	Y	Y	Y	Y	Y	Y	2"	3 1/2"	SAP
	70-72	396-502	H8024	H8024-B	H8024-1	◆	54, 69	Y	Y	Y	N	Y	N	Y	1 7/8"	3 1/2"	SAP
	70-72	396-502	H8026	H8026-B	H8026-1	◆	54, 69	Y	Y	Y	N	Y	N	Y	2"	3 1/2"	SAP
CHEVELLE, MALIBU, EL CAMINO																	
CAST MANIFOLD																	
NEW	70-81	LS1-LS9	H8097	H8097-B	H8097-1	◆		Y	Y	Y	Y	Y	Y	Y	NA	2 1/2" D-PORT	
MID LENGTH HEADERS																	
	64-77	265-400	H8021	H8021-B	H8021-1	◆	5, 17, 36, 52, 96	Y	Y	Y	Y	N	N		1 5/8"	3"	RD
	68-77	265-400	H8056	H8056-B	H8056-1	◆	5, 17, 36, 52, 93, 96, 202, 214	Y	Y	Y	N	N	N	Y	1 5/8"	3"	OVL
	68-77	396-502	H8012	H8012-B	H8012-1	◆	5, 52, 53, 54, 69	Y	Y	Y	N	Y	N	Y	1 3/4"	3"	SAP
	68-77	396-502	H8013	H8013-B	H8013-1	◆	5, 52, 53, 54, 69	Y	Y	Y	N	Y	N	Y	1 7/8"	3"	SAP
LONG TUBE HEADERS																	
	64-77	265-400	H8047	H8047-B	H8047-1	◆	17, 36, 93, 96	Y	Y	Y	Y	Y	Y	Y	1 5/8"	3"	OVL
	78-87	265-400	H8096	H8096-B	H8096-1	◆	17, 36, 93, 96, 214	Y	Y	Y	N	Y	N	Y	1 5/8"	3"	OVL
	78-83	265-400	H8038	H8038-B	H8038-1	◆	17, 66, 106, 214	Y	Y	Y	Y	N	Y	N	1 3/4"	3 1/2"	REC
	68-74	396-502	H8024	H8024-B	H8024-1	◆	69	Y	Y	Y	Y	Y	N	Y	1 7/8"	3 1/2"	SAP
	68-74	396-502	H8026	H8026-B	H8026-1	◆	69	Y	Y	Y	Y	Y	N	Y	2"	3 1/2"	SAP
CORVETTE																	
	55-82	265-400	H8025	H8025-B	H8025-1	◆	1, 5, 36, 60, 96	Y	Y	Y	Y	Y	N	N	1 5/8"	2 1/2"	RD
MONTE CARLO																	
CAST MANIFOLD																	
NEW	82-88	LS1-LS9	H8097	H8097-B	H8097-1	◆		Y	Y	Y	Y	Y	Y	Y	NA	2 1/2" D-PORT	
MID LENGTH HEADERS																	
	70-87	265-400	H8021	H8021-B	H8021-1	◆	5, 17, 36, 52, 96	Y	Y	Y	Y	Y	N	N	1 5/8"	3"	RD
	70-77	265-400	H8056	H8056-B	H8056-1	◆	5, 17, 36, 93, 96, 202, 214	Y	Y	Y	N	N	N	Y	1 5/8"	3"	OVL
	70-77	396-502	H8012	H8012-B	H8012-1	◆	5, 52, 53, 54, 69	Y	Y	Y	N	Y	N	Y	1 3/4"	3"	SAP
	70-77	396-502	H8013	H8013-B	H8013-1	◆	5, 52, 53, 54, 69	Y	Y	Y	N	Y	N	Y	1 7/8"	3"	SAP
LONG TUBE HEADERS																	
	70-77	265-400	H8047	H8047-B	H8047-1	◆	17, 36, 93, 96	Y	Y	Y	Y	Y	N	Y	1 5/8"	3"	OVL
	78-88	265-400	H8096	H8096-B	H8096-1	◆	17, 36, 93, 96, 214	Y	Y	Y	N	Y	N	Y	1 5/8"	3"	OVL
	78-86	265-400	H8038	H8038-B	H8038-1	◆	17, 66, 106, 214	Y	Y	Y	Y	N	Y	N	1 3/4"	3 1/2"	REC
	70-74	396-502	H8024	H8024-B	H8024-1	◆	69	Y	Y	Y	Y	Y	N	N	1 7/8"	3 1/2"	SAP
	70-74	396-502	H8026	H8026-B	H8026-1	◆	69	Y	Y	Y	Y	Y	N	N	2"	3 1/2"	SAP
NOVA																	
MID LENGTH HEADERS																	
NEW	62-79	265-400	H8008	H8008-B	H8008-1	◆	5, 17, 36, 96, 202, 232	Y	Y	Y	Y	Y	N	N	1 5/8"	2 1/2"	RD
	68-79	265-400	H8021	H8021-B	H8021-1	◆	5, 17, 36, 52, 96	N	Y	Y	Y	Y	N	N	1 5/8"	3"	RD
	68-79	265-400	H8056	H8056-B	H8056-1	◆	5, 17, 36, 93, 96, 202, 214	N	Y	Y	N	N	N	Y	1 5/8"	3"	OVL
	68-79	396-502	H8012	H8012-B	H8012-1	◆	5, 52, 53, 54, 69	Y	Y	Y	N	Y	N	Y	1 3/4"	3"	SAP
	68-79	396-502	H8013	H8013-B	H8013-1	◆	5, 52, 53, 54, 69	Y	Y	Y	N	Y	N	Y	1 7/8"	3"	SAP
	68-74	LS1-LS9	-----	H8076	H8076-1	◆	5, 180	Y	Y	Y	N	Y	N	Y	1 5/8"	3"	RD
	75-79	LS1-LS9	H8077	H8077-B	H8077-1	◆	5, 85, 180	Y	Y	Y	N	Y	N	Y	1 5/8"	3"	RD
LONG TUBE HEADERS																	
NEW	62-74	LS1-LS9	H8098	H8098-B	H8098-1	◆	85, 222	Y	Y	Y	Y	Y	N	Y	1 3/4"	3"	D-PORT
	68-79	265-400	H8047	H8047-B	H8047-1	◆	17, 36, 93, 96	Y	Y	Y	Y	Y	Y	Y	1 5/8"	3"	OVL
	68-74	396-502	H8062	H8062-B	H8062-1	◆	69	Y	Y	Y	Y	Y	Y	Y	2"	3 1/2"	SAP



PASSENGER CAR HEADERS

YEARS	ENGINES	RAW STEEL	HI-TEMP BLACK COATING	METALLIC CERAMIC COATING	EMISSION CODES	FOOTNOTES	AUTO			STD			TUBE SIZE	COLL SIZE	PORT SHAPE	
							A/C	P/B	P/S	R/S	L/F	C/O				R/F
DODGE / PLYMOUTH																
ALL A & F BODIES																
67-82	273-360	H8206	H8206-B	H8206-1	◆	203	Y	Y	Y	Y	N	Y	1 5/8"	3"	SAP	
ALL B & E BODIES																
67-82	273-360	H8206	H8206-B	H8206-1	◆	203	Y	Y	Y	Y	N	Y	1 5/8"	3"	SAP	
67-74	383-440	H8207	H8207-B	H8207-1	◆	203	Y	Y	Y	Y	Y	Y	1 7/8"	3"	SAP	
CHALLENGER /BARRACUDA																
70-74	383-440	H8207	H8207-B	H8207-1	◆	203	Y	Y	Y	Y	Y	Y	1 7/8"	3"	SAP	
CHRYSLER CORDOBA																
1975	400	H8207	H8207-B	H8207-1	◆	203	Y	Y	N	Y	N	N	1 7/8"	3"	SAP	
FORD																
MUSTANG																
MID LENGTH HEADERS																
64-73	260-302W	H8433	H8433-B	H8433-1	◆	5, 18, 62, 64, 196, 197, 222, 223, 228	Y	Y	Y	Y	N	Y	1 5/8"	3"	REC	
86-93	255-302W	H8476	H8476-B	H8476-1	◆	113, 121, 228	Y	Y	N	Y	N	Y	1 5/8"	3"	REC	
94-95	255-302W	H8477	H8477-B	H8477-1	◆	55, 116, 121, 143	Y	Y	N	Y	N	Y	1 5/8"	3"	REC	
LONG TUBE HEADERS																
64-70	260-302W	-----	H8426	H8426-1	◆	26, 83, 84, 97, 102, 222, 228, 240	Y	Y	Y	Y	N	Y	1 1/2"-1 3/4"	2 1/2"	OVL	
64-73	260-302W	H8403	H8403-B	H8403-1	◆	98, 99, 221, 228, 229, 240	Y	Y	N	Y	N	Y	1 5/8"	3"	REC	
71-73	351W	H8403	H8403-B	H8403-1	◆	98, 99, 221, 228, 229, 240	Y	Y	N	Y	N	Y	1 5/8"	3"	REC	
67-70	351C	H8407	H8407-B	H8407-1	◆	88, 97	Y	Y	N	Y	N	N	1 3/4"	2 1/2"	OVL	
67-70	351C	H8408	H8408-B	H8408-1	◆	88, 97	Y	Y	N	Y	N	N	1 3/4"	2 1/2"	SAP	
67-70	351C	-----	H8409-B	H8409-1	◆	88, 97	Y	Y	N	N	N	Y	1 3/4"	2 1/2"	OVL	
67-70	351C	H8411	H8411-B	H8411-1	◆	88, 97	Y	Y	N	N	N	Y	1 3/4"	2 1/2"	SAP	
71-73	351C	H8412	H8412-B	H8412-1	◆	88, 97	Y	Y	N	Y	N	Y	1 3/4"	3"	OVL	
71-73	351C	H8413	H8413-B	H8413-1	◆	88, 97	Y	Y	N	Y	N	Y	1 3/4"	3"	SAP	
FAIRLANE																
MID LENGTH HEADERS																
66-70	260-302W	H8433	H8433-B	H8433-1	◆	5, 18, 62, 64, 196, 197, 222, 223, 228	Y	Y	Y	Y	N	Y	1 5/8"	3"	REC	
LONG TUBE HEADERS																
66-70	260-351W	H8403	H8403-B	H8403-1	◆	98, 99, 221, 228, 229, 240	Y	Y	Y	Y	N	Y	1 5/8"	3"	REC	
1970	351C	H8407	H8407-B	H8407-1	◆	88, 97	Y	Y	N	Y	N	N	1 3/4"	2 1/2"	OVL	
1970	351C	H8408	H8408-B	H8408-1	◆	88, 97	Y	Y	N	Y	N	N	1 3/4"	2 1/2"	SAP	
1970	351C	-----	H8409-B	H8409-1	◆	88, 97	Y	Y	N	N	N	Y	1 3/4"	2 1/2"	OVL	
1970	351C	H8411	H8411-B	H8411-1	◆	88, 97	Y	Y	N	N	N	Y	1 3/4"	2 1/2"	SAP	
FALCON																
MID LENGTH HEADERS																
NEW 60-65	260-302W	H8434	H8434-B	H8434-1	◆	5, 223, 228, 229, 232	Y	Y	Y	Y	Y	Y	1 5/8"	2 1/2"	REC	
66-70	260-302W	H8433	H8433-B	H8433-1	◆	5, 18, 62, 64, 196, 197, 222, 223, 228	Y	Y	Y	Y	N	Y	1 5/8"	3"	REC	
LONG TUBE HEADERS																
66-70 1/2	260-351W	H8403	H8403-B	H8403-1	◆	97, 98, 221, 228, 240	Y	Y	Y	Y	N	Y	1 5/8"	3"	REC	

FOOTNOTES

1 Does not fit angle plug heads	69 Big block frame stands and motor mounts must be used to insure proper engine location and header fit.	121 and later factory headpipe
5 Mid Length Desgin for Maximum Ground Clearance	77 Manual Transmission require cable or hydraulic clutch	121 50-State Legal header C.A.R.B. E.O. #D-57-33
17 Fits most angle plug heads	83 Fits with manual transmissions using 10" or 10.5" clutch only. 1968-up bellhousings require driver's side header clearance	143 Comes with EGR provision
18 Header installation requires the use of the 1965-66 Non Hi-Po V8 clutch equalizer bar	84 Non-HiPo cars with manual transmission may need header clearance for clutch linkage	180 Requires a Doug's LS1 adapter plate kit P/N SK100 or equivalent including American Tour Specialties.
26 67-70 models may require clearancing header on driver's side around the steering box	85 O2 bungs are welded on both collectors.	196 Lakewood bell housings require clearancing for header tubes
36 Fits D-Port cylinder heads including Z24 crate engines. Will Not fit GM Fast Burn head PN 19300955 or SP350, SP383 & Z26 engines	88 Fits two barrel heads, 351C 2V	197 Use recommended C5ZZ16A052E "export brace" if shock mount center to center dimension is less than 33 3/4"
52 Will not fit 67-69 Camaro or 68-74 Nova with Factory Saginaw 800 power steering box	89 Fits four barrel heads, 351C 4V, Boss 351	202 Will fit OE Suspension & Detroit Speed & Engineering front subframes with rack and pinion steering
53 Not recommended for Gen-6 502cid engines with aluminum heads	93 Requires removal or modification of locking steering columns if equipped	203 Will not fit models equipped with air injection pump without modification
54 Fits with manual and auto trans floor shifts only	96 Installation requires left side A/C bracket part number H7608. 1979 and later vehicles with short compressors can use the stock bracket.	214 Must use non-shell type motor mounts
55 Fits GT40 "P" head	97 Installation requires power steering bracket PN H7609.	221 Will fit with Borgeson Power Steering Box Conversion
60 Will not fit with 168 tooth flywheels or kickout aftermarket Oil Pans	98 Fits with C-6 transmission.	222 Fits TCI or equivalent Mustang II Suspension Rack and Pinion equipped cars
61 Does not fit 67-69 Camaro with A/C	99 Does not fit 1971-73 Mustang/Cougar with manual transmission.	223 Will fit with AOD Transmissions
62 Must use 66 1/2 or later motor mount frame brackets (approx. 1" higher than 65/early 66 style)	102 Replica of early Shelby Tri-Y header.	228 Will not fit GT40 "P" head
64 Fits with manual transmissions using T5 bell housings with cable or Hydraulic clutch Only	106 Fits Factory Installed Chevrolet 265-350 small block engines	229 Will fit with T5 Transmission with Cable, Hydraulic, or stock Z bar clutch acutation
66 Does not clear stock manual clutch linkage ball located behind the #7 cylinder	113 Replacement shorty style header which bolts directly to '86 and later factory headpipe	232 Fit OE Suspension AND Mustang II style conversions
	116 Replacement shorty style header which bolts directly to '94	



PASSENGER CAR HEADERS

YEARS	ENGINES	RAW STEEL	HI-TEMP BLACK COATING	METALLIC CERAMIC COATING	EMISSION CODES	FOOTNOTES	AUTO STD			TUBE SIZE	COLL SIZE	PORT SHAPE				
							AC	PC	PS				COL	ELF	COL	ELF
FORD (CONTINUED)																
MAVERICK																
MID LENGTH HEADERS																
69-77	260-302W	H8433	H8433-B	H8433-1	◆	5, 64, 196, 223, 228	Y	Y	Y	Y	Y	N	Y	1 5/8"	3"	REC
LONG TUBE HEADERS																
69-77	260-302W	H8403	H8403-B	H8403-1	◆	97, 98, 221, 228, 240	Y	Y	Y	N	Y	N	Y	1 5/8"	3"	REC
RANCHERO																
MID LENGTH HEADERS																
NEW 60-65	260-302W	H8434	H8434-B	H8434-1	◆	5, 223, 228, 229, 232	Y	Y	Y	Y	Y	Y	Y	1 5/8"	2 1/2"	REC
68-73	260-302W	H8433	H8433-B	H8433-1	◆	5, 18, 62, 64, 196, 197, 223, 228	Y	Y	Y	Y	N	Y	Y	1 5/8"	3"	REC
LONG TUBE HEADERS																
66-76	260-351W	H8403	H8403-B	H8403-1	◆	98, 99, 221, 228, 229, 240	Y	Y	Y	N	Y	N	Y	1 5/8"	3"	REC
70-71	351C	H8407	H8407-B	H8407-1	◆	88, 97	Y	Y	Y	N	Y	N	N	1 3/4"	2 1/2"	OVL
70-71	351C	H8408	H8408-B	H8408-1	◆	89, 97	Y	Y	Y	N	Y	N	N	1 3/4"	2 1/2"	SAP
70-71	351C	-----	H8409-B	H8409-1	◆	88, 97	Y	Y	Y	N	N	N	Y	1 3/4"	2 1/2"	OVL
70-71	351C	H8411	H8411-B	H8411-1	◆	89, 97	Y	Y	Y	N	N	N	Y	1 3/4"	2 1/2"	SAP
TORINO																
MID LENGTH HEADERS																
68-76	260-302W	H8433	H8433-B	H8433-1	◆	5, 18, 62, 64, 196, 197, 222, 223, 228	Y	Y	Y	Y	Y	N	Y	1 5/8"	3"	REC
LONG TUBE HEADERS																
68-76	260-351W	H8403	H8403-B	H8403-1	◆	98, 99, 221, 228, 229, 240	Y	Y	Y	Y	Y	N	Y	1 5/8"	3"	REC
70-71	351C	H8407	H8407-B	H8407-1	◆	88, 97	Y	Y	Y	N	Y	N	N	1 3/4"	2 1/2"	OVL
70-71	351C	H8408	H8408-B	H8408-1	◆	89, 97	Y	Y	Y	N	Y	N	N	1 3/4"	2 1/2"	SAP
70-71	351C	-----	H8409-B	H8409-1	◆	88, 97	Y	Y	Y	N	N	N	Y	1 3/4"	2 1/2"	OVL
70-71	351C	H8411	H8411-B	H8411-1	◆	89, 97	Y	Y	Y	N	N	N	Y	1 3/4"	2 1/2"	SAP
MERCURY																
COUGAR																
MID LENGTH HEADERS																
67-73	260-302W	H8433	H8433-B	H8433-1	◆	5, 18, 62, 64, 196, 197, 222, 223, 228	Y	Y	Y	Y	Y	N	Y	1 5/8"	3"	REC
LONG TUBE HEADERS																
67-73	260-302W	-----	H8426	H8426-1	◆	26, 83, 84, 97, 102, 222, 228	Y	Y	Y	Y	Y	N	Y	1 1/2"-1 3/4"	2 1/2"	OVL
67-73	260-302W	H8403	H8403-B	H8403-1	◆	98, 99, 221, 228, 229, 240	Y	Y	Y	N	Y	N	Y	1 5/8"	3"	REC
71-73	351W	H8403	H8403-B	H8403-1	◆	98, 99, 221, 228, 229, 240	Y	Y	Y	N	Y	N	Y	1 5/8"	3"	REC
67-70	351C	H8407	H8407-B	H8407-1	◆	88, 97	Y	Y	Y	N	Y	N	N	1 3/4"	2 1/2"	OVL
67-70	351C	H8408	H8408-B	H8408-1	◆	89, 97	Y	Y	Y	N	Y	N	N	1 3/4"	2 1/2"	SAP
67-70	351C	-----	H8409-B	H8409-1	◆	88, 97	Y	Y	Y	N	N	N	Y	1 3/4"	2 1/2"	OVL
67-70	351C	H8411	H8411-B	H8411-1	◆	89, 97	Y	Y	Y	N	N	N	Y	1 3/4"	2 1/2"	SAP
71-73	351C	H8412	H8412-B	H8412-1	◆	88, 97	Y	Y	Y	N	Y	N	Y	1 3/4"	3"	OVL
71-73	351C	H8413	H8413-B	H8413-1	◆	89, 97	Y	Y	Y	N	Y	N	Y	1 3/4"	3"	SAP
CYCLONE																
MID LENGTH HEADERS																
68-73	260-302W	H8433	H8433-B	H8433-1	◆	5, 18, 62, 64, 196, 197, 222, 223, 228	Y	Y	Y	Y	Y	N	Y	1 5/8"	3"	REC
LONG TUBE HEADERS																
66-72	260-351W	H8403	H8403-B	H8403-1	◆	98, 99, 221, 228, 229, 240	Y	Y	Y	Y	Y	N	Y	1 5/8"	3"	REC
70-71	351C	H8407	H8407-B	H8407-1	◆	88, 97	Y	Y	Y	N	Y	N	N	1 3/4"	2 1/2"	OVL
70-71	351C	H8408	H8408-B	H8408-1	◆	89, 97	Y	Y	Y	N	Y	N	N	1 3/4"	2 1/2"	SAP
70-71	351C	-----	H8409-B	H8409-1	◆	88, 97	Y	Y	Y	N	N	N	Y	1 3/4"	2 1/2"	OVL
70-71	351C	H8411	H8411-B	H8411-1	◆	89, 97	Y	Y	Y	N	N	N	Y	1 3/4"	2 1/2"	SAP
COMET																
MID LENGTH HEADERS																
NEW 60-65	260-302W	H8434	H8434-B	H8434-1	◆	5, 223, 228, 229, 232	Y	Y	Y	Y	Y	Y	Y	1 5/8"	2 1/2"	REC
66-77	260-302W	H8433	H8433-B	H8433-1	◆	5, 18, 62, 64, 196, 197, 222, 223, 228	Y	Y	Y	Y	Y	N	Y	1 5/8"	3"	REC
LONG TUBE HEADERS																
64-72	260-302W	H8403	H8403-B	H8403-1	◆	97, 98, 221, 228, 240	Y	Y	Y	N	Y	N	Y	1 5/8"	3"	REC
66-69	351W	H8403	H8403-B	H8403-1	◆	97, 98, 221, 228, 240	Y	Y	Y	N	Y	N	Y	1 5/8"	3"	REC
MONTEGO																
MID LENGTH HEADERS																
68-76	260-302W	H8433	H8433-B	H8433-1	◆	5, 18, 62, 64, 196, 197, 222, 223, 228	Y	Y	Y	Y	Y	N	Y	1 5/8"	3"	REC
LONG TUBE HEADERS																
68-76	260-351W	H8403	H8403-B	H8403-1	◆	98, 99, 221, 228, 229, 240	Y	Y	Y	Y	Y	N	Y	1 5/8"	3"	REC
70-71	351C	H8407	H8407-B	H8407-1	◆	88, 97	Y	Y	Y	N	Y	N	N	1 3/4"	2 1/2"	OVL
70-71	351C	H8408	H8408-B	H8408-1	◆	89, 97	Y	Y	Y	N	Y	N	N	1 3/4"	2 1/2"	SAP
70-71	351C	-----	H8409-B	H8409-1	◆	88, 97	Y	Y	Y	N	N	N	Y	1 3/4"	2 1/2"	OVL
70-71	351C	H8411	H8411-B	H8411-1	◆	89, 97	Y	Y	Y	N	N	N	Y	1 3/4"	2 1/2"	SAP



PASSENGER CAR HEADERS

YEARS	ENGINES	RAW STEEL	HI-TEMP BLACK COATING	METALLIC CERAMIC COATING	EMISSION CODES	FOOTNOTES	AUTO		STD		TUBE SIZE	COLL SIZE	PORT SHAPE			
							R/C	R/B	R/S	R/L				R/R	R/F	
OLDSMOBILE CALAIS																
MID LENGTH HEADERS																
78-84	265-400	H8021	H8021-B	H8021-1	5	5, 17, 36, 93, 96, 106, 214	Y	Y	Y	Y	N	N	1 5/8"	3"	RD	
LONG TUBE HEADERS																
78-84	265-400	H8096	H8096-B	H8096-1	5	17, 36, 93, 96, 106, 214	Y	Y	Y	N	Y	N	Y	1 5/8"	3"	OVL
78-87	265-400	H8038	H8038-B	H8038-1	5	17, 66, 106, 214	Y	Y	Y	Y	N	Y	N	1 3/4"	3 1/2"	REC
CUTLASS / 442																
MID LENGTH HEADERS																
78-88	265-400	H8021	H8021-B	H8021-1	5	5, 17, 36, 93, 96, 106, 214	Y	Y	Y	Y	N	N	1 5/8"	3"	RD	
LONG TUBE HEADERS																
65-75	400-455	H8101	-----	H8101-1	2		Y	Y	Y	Y	N	Y	1 3/4"	3"	SAP	
68-77	350-403	-----	H8100-B	H8100-1	2		Y	Y	Y	Y	N	N	Y	1 5/8"	2 1/2"	SAP
78-88	265-400	H8038	H8038-B	H8038-1	5	17, 66, 106, 214	Y	Y	Y	Y	N	Y	N	1 3/4"	3 1/2"	REC
78-88	265-400	H8096	H8096-B	H8096-1	5	17, 36, 93, 96, 106, 214	Y	Y	Y	N	Y	N	Y	1 5/8"	3"	OVL
DELTA 88																
71-75	400-455	H8101	-----	H8101-1	2		Y	Y	Y	Y	N	N	1 3/4"	3"	SAP	
VISTA CRUISER WAGON																
MID LENGTH HEADERS																
78-83	265-400	H8021	H8021-B	H8021-1	5	5, 17, 36, 93, 96, 106, 214	Y	Y	Y	Y	N	N	1 5/8"	3"	RD	
LONG TUBE HEADERS																
71-74	400-455	H8101	-----	H8101-1	2		Y	Y	Y	Y	N	N	1 3/4"	3"	SAP	
78-83	265-400	H8096	H8096-B	H8096-1	5	17, 36, 93, 96, 106, 214	Y	Y	Y	N	Y	N	Y	1 5/8"	3"	OVL
PONTIAC BONNEVILLE																
MID LENGTH HEADERS																
82-86	265-400	H8021	H8021-B	H8021-1	5	5, 17, 36, 93, 96, 106, 214	Y	Y	Y	Y	N	N	1 5/8"	3"	RD	
LONG TUBE HEADERS																
82-86	265-400	H8096	H8096-B	H8096-1	5	17, 36, 93, 96, 106, 214	Y	Y	Y	N	Y	N	Y	1 5/8"	3"	OVL
82-86	265-400	H8038	H8038-B	H8038-1	5	17, 66, 106, 214	Y	Y	Y	Y	N	Y	N	1 3/4"	3 1/2"	REC
FIREBIRD, TRANS AM																
CAST MANIFOLD																
NEW	70-81	LS1-LS9	H8097	H8097-B	H8097-1	2		Y	Y	Y	Y	Y	Y	NA	2 1/2"	D-PORT
MID LENGTH HEADERS																
82-92	265-400	H8068	H8068-B	H8068-1	5	5, 17, 36, 85,	Y	Y	Y	N	Y	N	Y	1 5/8"	3"	RD
LONG TUBE HEADERS																
NEW	67-81	LS1-LS9	H8098	H8098-B	H8098-1	2	85, 222	Y	Y	Y	Y	N	Y	1 3/4"	3"	D-PORT
67-69	326-455	H8302	-----	H8302-1	2	104	Y	Y	Y	N	Y	N	Y	1 5/8"	3"	SAP
70-79	350-455	H8301	H8301-B	H8301-1	2	104	Y	Y	Y	N	Y	N	Y	1 5/8"	3"	SAP
77-78	350-403 OLDS	-----	H8100-B	H8100-1	5		Y	Y	Y	N	Y	N	Y	1 5/8"	2 1/2"	SAP
GRAND PRIX																
CAST MANIFOLD																
NEW	82-88	LS1-LS9	H8097	H8097-B	H8097-1	2		Y	Y	Y	Y	Y	Y	NA	2 1/2"	D-PORT
MID LENGTH HEADERS																
78-87	265-400	H8021	H8021-B	H8021-1	5	5, 17, 36, 93, 96, 106, 214	Y	Y	Y	Y	N	N	1 5/8"	3"	RD	
LONG TUBE HEADERS																
78-87	265-400	H8038	H8038-B	H8038-1	5	17, 66, 106, 214	Y	Y	Y	Y	N	Y	N	1 3/4"	3 1/2"	REC
78-87	265-400	H8096	H8096-B	H8096-1	5	17, 36, 93, 96, 106, 214	Y	Y	Y	N	Y	N	Y	1 5/8"	3"	OVL
GTO, LE MANS, GRAND AM																
64-75	326-455	H8301	H8301-B	H8301-1	2	104	Y	Y	Y	N	Y	N	Y	1 5/8"	3"	SAP

FOOTNOTES

5	Mid Length Design for Maximum Ground Clearance	84	Non-HiPo cars with manual transmission may need header clearance for clutch linkage	102	Replica of early Shelby Tri-Y header.
17	Fits most angle plug heads	85	O2 bungs are welded on both collectors.	104	Some factory heads do not have end bolt holes and should be drilled and tapped to assure proper sealing.
18	Header installation requires the use of the 1965-66 Non Hi-Po V8 clutch equalizer bar	88	Fits two barrel heads, 351C 2V	106	Fits Factory Installed Chevrolet 265-350 small block engines
26	67-70 models may require clearancing header on driver's side around the steering box	89	Fits four barrel heads, 351C 4V, Boss 351	196	Lakewood bell housings require clearancing for header tubes
36	Fits D-Port cylinder heads including Z24 crate engines. Will Not fit GM Fast Burn head PN 19300955 or SP350, SP383 & Z26 engines	93	Requires removal or modification of locking steering columns if equipped	197	Use recommended C5ZZ16A052E "export brace" if shock mount center to center dimension is less than 33 3/4"
62	Must use 66 1/2" or later motor mount frame brackets (approx. 1" higher than 65/early 66 style)	96	Installation requires left side A/C bracket part number H7608. 1979 and later vehicles with short compressors can use the stock bracket.	214	Must use non-shell type motor mounts
64	Fits with manual transmissions using T5 bell housings with cable or Hydraulic clutch Only	97	Installation requires power steering bracket PN H7609.	221	Will fit with Borgeson Power Steering Box Conversion
66	Does not clear stock manual clutch linkage ball located behind the #7 cylinder	98	Fits with C-6 transmission.	222	Fits TCI or equivalent Mustang II Suspension Rack and Pinion equipped cars
83	Fits with manual transmissions using 10" or 10.5" clutch only. 1968-up bellhousings require driver's side header clearance	99	Does not fit 1971-73 Mustang/Cougar with manual transmission.	223	Will fit with AOD Transmissions
				228	Will not fit GT40 "P" head
				229	Will fit with T5 Transmission with Cable, Hydraulic, or stock Z bar clutch acutation
				232	Fit OE Suspension AND Mustang II style conversions



TRUCK HEADERS

YEARS	ENGINES	RAW STEEL	HI-TEMP BLACK COATING	METALLIC CERAMIC COATING	EMISSION CODES	FOOTNOTES	AUTO STD					TUBE SIZE	COLL SIZE	PORT SHAPE		
							AC	P/B	P/S	COL	FL				COL	FL
CHEVROLET / GMC																
2WD 1/2, 3/4, 1 TON / 1500, 2500, 3500 TRUCKS																
MID LENGTH HEADERS																
73-87	LS1-LS9	H8087	H8087-B	H8087-1	◆	5, 87	Y	Y	Y	Y	Y	N	N	1 3/4"	3"	RD
LONG TUBE HEADERS																
NEW 37-59	LS1-LS9	H8098	H8098-B	H8098-1	◆	85, 222	Y	Y	Y	Y	Y	N	Y	1 3/4"	3"	D-PORT
73-87	265-400	H8048	H8048-B	H8048-1	◆	17, 36, 94, 95, 96	Y	Y	Y	Y	N	N	N	1 5/8"	3"	OVL
88-98	265-400	H8059	H8059-B	H8059-1	◆	17, 85, 111	Y	Y	Y	Y	N	N	N	1 5/8"	2 1/2"	OVL
73-87	396-502	H8054	H8054-B	H8054-1	◆	69, 94, 95	Y	Y	Y	Y	N	N	N	1 3/4"	3"	SAP
73-91	396-502	H8054	H8054-B	H8054-1	◆	CREW CAB ONLY 69, 94, 95	Y	Y	Y	Y	N	N	N	1 3/4"	3"	SAP
88-98	396-502	H8058	H8058-B	H8058-1	◆	85	Y	Y	Y	Y	N	N	N	1 3/4"	3"	SAP
92-00	396-502	H8058	H8058-B	H8058-1	◆	CREW CAB ONLY 85	Y	Y	Y	Y	N	N	N	1 3/4"	3"	SAP
99-06	4.8/5.3/6.0	H8057	H8057-B	H8057-1	◆	34, 85	Y	Y	Y	Y	Y	Y	Y	1 5/8"	3"	RD
07-13	4.8-6.2L	H8079	H8079-B	H8079-1	◆	85	Y	Y	Y	Y	N	N	N	1 5/8"	3"	RD
2WD BLAZER, JIMMY, SUBURBAN, YUKON XL, TAHOE, YUKON																
MID LENGTH HEADERS																
73-91	LS1-LS9	H8087	H8087-B	H8087-1	◆	5, 87	Y	Y	Y	Y	Y	N	N	1 3/4"	3"	RD
LONG TUBE HEADERS																
73-91	265-400	H8048	H8048-B	H8048-1	◆	17, 36, 94, 95, 96	Y	Y	Y	Y	N	N	N	1 5/8"	3"	OVL
92-99	265-400	H8059	H8059-B	H8059-1	◆	17, 85, 111	Y	Y	Y	Y	N	N	N	1 5/8"	2 1/2"	OVL
73-91	396-502	H8054	H8054-B	H8054-1	◆	69, 94, 95	Y	Y	Y	Y	N	N	N	1 3/4"	3"	SAP
92-99	396-502	H8058	H8058-B	H8058-1	◆	85	Y	Y	Y	Y	N	N	N	1 3/4"	3"	SAP
00-06	4.8/5.3/6.0	H8057	H8057-B	H8057-1	◆		Y	Y	Y	Y	Y	Y	Y	1 5/8"	3"	RD
07-14	4.8-6.2L	H8079	H8079-B	H8079-1	◆	85	Y	Y	Y	Y	N	N	N	1 5/8"	3"	RD
2WD S10, S15, BLAZER, JIMMY, (ENGINE SWAP)																
MID LENGTH HEADERS																
82-02	265-400	-----	H8036	H8036-1	◆	1, 5, 36, 67, 68	Y	Y	Y	N	Y	N	N	1 1/2"	2 1/2"	RD
82-02	LS1-LS9	-----	H8073	H8073-1	◆	5, 67, 85	Y	Y	Y	Y	N	N	N	1 5/8"	2 1/2"	RD
4WD 1/2, 3/4, 1 TON / 1500, 2500, 3500 TRUCKS																
LONG TUBE HEADERS																
67-87	265-400	H8049	H8049-B	H8049-1	◆	1, 36, 95, 96	Y	Y	Y	Y	Y	N	N	1 5/8"	2 1/2"	RD
88-98	265-400	H8059	H8059-B	H8059-1	◆	17, 111	Y	Y	Y	Y	N	N	N	1 5/8"	2 1/2"	SAP
73-87	396-502	H8054	H8054-B	H8054-1	◆	69, 94, 95	Y	Y	Y	Y	Y	N	N	1 3/4"	3"	SAP
73-91	396-502	H8054	H8054-B	H8054-1	◆	CREW CAB ONLY 69, 94, 95	Y	Y	Y	Y	Y	N	N	1 3/4"	3"	SAP
88-95	396-502	H8058	H8058-B	H8058-1	◆	111	Y	Y	Y	Y	N	N	N	1 3/4"	3"	SAP
92-00	396-502	H8058	H8058-B	H8058-1	◆	CREW CAB ONLY, 111	Y	Y	Y	Y	N	N	N	1 3/4"	3"	SAP
4WD BLAZER, JIMMY, SUBURBAN, YUKON XL, TAHOE, YUKON																
LONG TUBE HEADERS																
69-91	265-400	H8049	H8049-B	H8049-1	◆	1, 36, 95, 96	Y	Y	Y	Y	Y	N	N	1 5/8"	2 1/2"	RD
92-99	265-400	H8059	H8059-B	H8059-1	◆	17	Y	Y	Y	Y	N	N	N	1 5/8"	2 1/2"	SAP
92-99	396-502	H8058	H8058-B	H8058-1	◆	111	Y	Y	Y	Y	N	N	N	1 3/4"	3"	SAP
4WD , S10, S15, BLAZER, JIMMY (ENGINE SWAP)																
MID LENGTH HEADERS																
82-02	265-400	-----	H8051	H8051-1	◆	1, 5, 36, 67, 78	Y	Y	Y	N	Y	N	N	1 1/2"	2 1/2"	RD
1 TON / 3500 CREW, STANDARD CAB DUALY																
LONG TUBE HEADERS																
73-91	265-400	H8048	H8048-B	H8048-1	◆	17, 36, 94, 95, 96	Y	Y	Y	Y	Y	N	N	1 5/8"	3"	OVL
DODGE TRUCKS																
LONG TUBE HEADERS																
1/2, 3/4 TON 2 & 4WD PICKUP																
NEW 72-93	273-360	H8211	H8211-B	H8211-1	◆	95, 100	Y	Y	Y	Y	N	Y	Y	1 5/8"	2 1/2"	D-PORT
RAMCHARGER, TRAILDUSTER																
NEW 74-93	273-360	H8211	H8211-B	H8211-1	◆	95, 100	Y	Y	Y	Y	N	Y	Y	1 5/8"	2 1/2"	D-PORT



TRUCK HEADERS

YEARS	ENGINES	RAW STEEL	HI-TEMP BLACK COATING	METALLIC CERAMIC COATING	EMISSION CODES	FOOTNOTES	AUTO STD						TUBE SIZE	COLL SIZE	PORT SHAPE		
							A/C	P/B	P/S	C/D	E/F	C/D				E/F	
FORD TRUCKS																	
F-SERIES PICKUP																	
LONG TUBE HEADERS																	
NEW	48-56	LS1-LS9	H8098	H8098-B	H8098-1	2	85, 222	Y	Y	Y	Y	Y	N	Y	1 3/4"	3"	D-PORT
	53-64	223 6 CYL	H8425	H8425-B	H8425-1	2		Y	Y	Y	Y	Y	Y	Y	1 1/2"	2"	REC
	53-56	272-312Y	-----	H8440	-----	2	4	Y	Y	Y	Y	N	Y	Y	1 1/2"	3"	SAP
	54-64	272-292Y	H8422	H8422-B	H8422-1	2	110	Y	Y	Y	Y	N	Y	Y	1 1/2"	3"	SAP
2WD F150, F250																	
	65-79	260-302W	H8405	H8405-B	H8405-1	2	90, 100, 228	Y	Y	Y	Y	N	N	Y	1 5/8"	2 1/2"	REC
	65-76	352-390	H8406	H8406-B	H8406-1	2	38	Y	Y	Y	Y	Y	Y	Y	1 3/4"	2 1/2"	SAP
4WD F250, F350																	
	65-79	260-302W	H8405	H8405-B	H8405-1	2	90, 100, 228	Y	Y	Y	Y	N	N	Y	1 5/8"	2 1/2"	REC
JEEP																	
CJ5, CJ7, CJ8																	
	72-79	290-401	H8600	H8600-B	H8600-1	2	155, 164, 231	Y	Y	Y	N	Y	N	Y	1 5/8"	2 1/2"	SAP
CHEROKEE																	
	74-83	290-401	H8600	H8600-B	H8600-1	2	155, 164, 231	Y	Y	Y	Y	Y	Y	Y	1 5/8"	2 1/2"	SAP
J10 AND J20 PICKUPS																	
	71-88	290-401	H8600	H8600-B	H8600-1	2	155, 164, 231	Y	Y	Y	Y	Y	Y	Y	1 5/8"	2 1/2"	SAP
WAGONEER																	
	71-91	290-401	H8600	H8600-B	H8600-1	2	155, 164, 231	Y	Y	Y	Y	Y	Y	Y	1 5/8"	2 1/2"	SAP
TOYOTA TRUCKS																	
20R, 22R																	
LONG TUBE HEADERS																	
NEW	75-88	2.2L, 2.4L	H4860	H4860-B	H4860-1	3		Y	Y	Y	Y	N	Y	Y	1 1/2"	2 1/2"	SAP

FOOTNOTES

- | | | |
|--|--|--|
| <p>1 Does not fit angle plug heads</p> <p>4 Fenderwell exit</p> <p>5 Mid Length Desgin for Maximum Ground Clearance</p> <p>17 Fits most angle plug heads</p> <p>34 Rear Exit design</p> <p>36 Fits D-Port cylinder heads including ZZ4 crate engines. Will Not fit GM Fast Burn head PN 19300955 or SP350, SP383 & ZZ6 engines</p> <p>38 Does not fit "Camper Special" models</p> <p>67 Must use Car Shop inc. or Trans Dapt engine swap kit</p> <p>68 Fits with Turbo 350 automatic transmissions with floor shifter only</p> <p>69 Big block frame stands and motor mounts must be used to insure proper engine location and header fit.</p> | <p>78 Must replace the stock oil pan with a Canton 16-100 two piece or 16-100T one piece style rear main seal.</p> <p>85 O2 bungs are welded on both collectors.</p> <p>87 Requires Doug's LS adapter kit part number SK-100</p> <p>90 Does not fit with C-6 transmission</p> <p>94 Non catalytic converter equipped.</p> <p>95 Reducers available with O2 sensor fitting see catalog page 27</p> <p>96 Installation requires left side A/C bracket part number H7608. 1979 and later vehicles with short compressors can use the stock bracket.</p> <p>100 Vehicles with air Injection heads will require grinding of the header flange to fit.</p> | <p>110 Fits 1953 models with transplanted Y block engines when 1954-64 Y block motor mounts are used.</p> <p>111 Long tube headers for Closed Course Competition use only</p> <p>155 Shorty header that bolts directly to factory headpipes</p> <p>164 Dog leg exhaust port</p> <p>222 Fits TCI or equivalent Mustang II Suspension Rack and Pinion equipped cars</p> <p>228 Will not fit GT40 "P" head</p> <p>231 Modification to stock headpipe may be required in some applications</p> |
|--|--|--|



CLASSIC IMPORT HEADERS

YEARS	ENGINES	HI-TEMP BLACK COATING	METALLIC CERAMIC COATING	EMISSION CODES	FOOTNOTES	AUTO STD					TUBE SIZE	COLL SIZE	PORT SHAPE		
						AC	P/B	P/S	COL	FL				COL	FL
JAGUAR															
XKE E-TYPE SERIES 1&2															
61-71	3.8-4.2L	H4830	H4830-1	◆	103	Y	Y	Y	Y	Y	N	Y	1 5/8"	2 1/2"	REC
MG															
MGB, MGB-GT															
PRE 75	1.8L	H4800	H4800-1	◆		Y	Y	Y	N	N	N	Y	1 3/8"	2"	RD
MIDGET															
75-80	1.5L	H4803	-----	◆		Y	Y	Y	N	N	N	Y	1 1/4"	2"	OVL
VOLVO															
544, 120, 140, P1800, P1800S, P1800ES															
62-69	B18, B20	H4850	H4850-1	◆	32	Y	Y	Y	N	N	N	Y	1 1/2"	2"	REC
62-69	B18, B20	H4851	H4851-1	◆	75	Y	Y	Y	N	N	N	Y	1 1/2"	2"	REC

JAGUAR EXHAUST SYSTEMS

Jaguar XKE owners don't have to pay ridiculously high prices for mufflers anymore! Patriot offers ready to install performance muffler systems for E-Type cars from 1961 thru 1971. The show quality chrome finish looks great and provides improved corrosion resistance. Our unique muffler core design effectively reduces restriction and absorbs more noise than the designs used by other manufacturers.

DESCRIPTION	PART NO.	TUBE DIAMETER	CASE DIAMETER
XKE E-TYPE SERIES 1			
61-64 3.8L	H3832	1 3/4"	3"
64 1/2-67 4.2L	H3834	1 3/4"	3"
XKE E-TYPE SERIES 2			
69-71 4.2L	H3833	1 3/4"	3"



H3832



H3833



H3834

RACECAR HEADERS



WELD-UP RACE KITS

Patriot Weld-up kits work great for racers who need to build custom headers when a specific fit header is not available. Kits come with mandrel bent one piece primaries, two 3/8" precision machined flanges and your choice on most applications of either formed weld-on or slip-on collectors incorporating unique long transition to provide better flow. Mounting bolts, gaskets and collector locking tabs (slip-on style only) are also included.

ENGINE	PART NO.	TUBE SIZE	COLLECTOR TYPE	COLLECTOR SIZE	PORT SHAPE
CHEVROLET BB	H8005	2"	WELD-ON	3 1/2"	SAP
CHEVROLET BB	H8091	2 1/4"	WELD-ON	4"	RD
CHEVROLET BB	H8092	2 3/8"	WELD-ON	4 1/2"	RD
CHEVROLET BB	H8093	2 3/8"	SLIP-ON	4 1/2"	RD
CHEVROLET BB	H8094	2 1/2"	WELD-ON	5"	RD
CHEVROLET BB	H8095	2 1/2"	SLIP-ON	5"	RD



RACECAR HEADERS

RACECAR HEADERS

Patriot offers affordable racing headers and do-it-yourself weld up kits for many applications in the popular IMCA Modified, Sprint Car, Late Model Sportsman, Street Stock, Mini-Stock and Pony Car classes. Our headers use precision machined flanges and lightweight but strong 18 gauge tubing. Mandrel bent primaries and long transition collectors reduce backpressure for increased exhaust velocity. Some applications are available with our stepped pipe design to help broaden the torque curve for better corner acceleration.



YEARS	ENGINES	RAW STEEL	HI-TEMP BLACK COATING	METALLIC CERAMIC COATING	EMISSION CODES	FOOTNOTES	TRANS AUTO	STD	TUBE SIZE	COLL SIZE	PORT SHAPE
MINI STOCK / PONY CAR HEADERS											
PINTO											
71-80	2.3L	H8401	-----	H8401-1	◆	56, 70, 71	Y	Y	1 5/8"-1 3/4"	3"	OVL
71-80	2.3L	H8402	-----	H8402-1	◆	56, 72, 188	Y	Y	1 5/8"-1 3/4"	3"	OVL
MUSTANG II 2.3L											
74-80	2.3L	H8401	-----	H8401-1	◆	56, 70, 71	Y	Y	1 5/8"-1 3/4"	3"	OVL
74-80	2.3L	H8402	-----	H8402-1	◆	56, 72, 188	Y	Y	1 5/8"-1 3/4"	3"	OVL
STREET STOCK HEADERS											
CHEVELLE, MONTE CARLO, GRAND PRIX, CUTLASS, REGAL											
78-86	265-400	-----	-----	-----	◆	17, 65, 66	Y	N	1 5/8"	3"	RD
78-86	265-400	H8038	H8038-B	H8038-1	◆	17, 65, 66	Y	N	1 3/4"	3 1/2"	REC
LATE MODEL CONVENTIONAL CROSSOVER HEADERS											
BEMCO, HAMKE, HOWE, LEFTHANDER AND PORT CITY CHASSIS											
CHEVY	265-400	H8045	-----	-----	◆	17	Y	Y	1 3/4"	3 1/2"	REC
IMCA HEADERS											
CHEVROLET ENGINES											
ALL	265-400	H8020	-----	H8020-1	◆	17, 43, 44	Y	Y	1 3/4"	3 1/2"	REC
ALL	265-400	H8022	-----	H8022-1	◆	17, 36, 56, 57	Y	Y	1 5/8"-1 3/4"	3"	RD
FORD ENGINES											
ALL	289-351W	H8423	H8423-B	H8423-1	◆	43, 44, 55	Y	Y	1 5/8"	3"	OVL

REPLACEMENT COLLECTORS

Often times exposed collectors become damaged as a result of relentless competition. These replacement raw steel collectors for our popular H8022 header simplify repairs.

Driver side 60° turnout

H7640

Passenger side 90° turnout

H7641



H7640



H7641

FOOTNOTES

17	Fits most angle plug heads	56	Stepped pipe design increases low end torque without sacrificing higher RPM performance	72	Goes through firewall if used on a production Pinto/Mustang II chassis.
32	Fits only when a 62-67 type intake manifold is used	57	Slip on style 90 and 45 degree collectors are adjustable for tuning and footbox location	75	Fuel injected engines only
36	Fits D-Port cylinder heads including Z24 crate engines. Will Not fit GM Fast Burn head PN 19300955 or SP350, SP383 & Z26 engines	65	Fits with solid side and rear mounts	103	Jaguar exhaust systems available separately.
43	Exits toward front tire	66	Does not clear stock manual clutch linkage ball located behind the #7 cylinder	188	Fits Pro Four Style Tube Chassis
44	Can be run upside down to gain clearance but will require relocating water temperature sending unit	70	Fits production chassis exiting under the car		
55	Fits GT40 "P" head	71	Does not clear 2.0L stock motor mount		



SIDE EXHAUST

SHIELDED SIDE PIPE

Give your vehicle that custom look with our classic shielded



side exhaust system. Large inlet and outlet pipes with low back pressure six-sided louvered core mufflers guarantee performance and create that distinctive power tone. Complete installation flexibility is built in with the full 360° rotation feature on both inlet and outlet pipes. Includes mounting hardware.

REPLACEMENT PARTS

PART NO.	INLET DIAMETER	OUTLET DIAMETER	LENGTH
SHIELDED SIDE PIPES			
H1050	2"-2 1/2"	3"	50"
H1060	2"-2 1/2"	3"	60"
H1070	2"-2 1/2"	3"	70"
H1080	2"-2 1/2"	3"	80"

MUFFLER	INLET PIPE	OUTLET PIPE	SHIELD
H3950	H7434	H7432	H7452
H3952	H7434	H7432	H7453
H3954	H7434	H7432	H7454
H3954	H7435	H7433	H7454

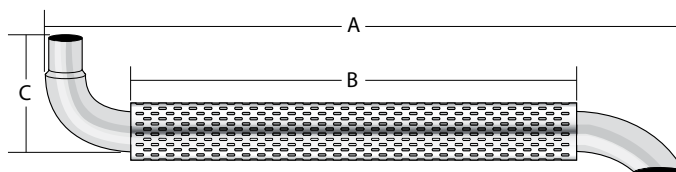
SIDE PIPE HOOK-UP KIT

Now there is an easy way for you to hook-up your side pipe exhaust system. Our kit works with 2" up to 2 1/2" inlet sizes and comes with two 90° and two 180° bends with required saddle clamps. Some minor fabrication and welding is required.



H7402

See Page 28



PART NO.	DIM. A	DIM. B	DIM. C	INLET	OUTLET
H1050	50"	36"	14 1/4"	2"-2 1/2"	3"
H1060	60"	46"	14 1/4"	2"-2 1/2"	3"
H1070	70"	56"	14 1/4"	2"-2 1/2"	3"
H1080	80"	56"	14 1/4"	2"-2 1/2"	3"

SHIELDED SIDE TUBE TURNOUT

This shielded turnout features a classic slotted one-piece shield that will give your rod a great custom look and provide burn protection when exiting the car. Its built-in six sided louvered muffler provides excellent sound control without robbing horsepower. Large 3 1/2" diameter inlet make this turnout the perfect mate to any of our roadster headers.



PART NO.	INLET DIAMETER	CASE DIAMETER	LENGTH
SHIELDED SIDE TUBE TURNOUT			
H3824	3 1/2"	3 1/2"	26"

SIDE TUBE TURNOUTS

Side tube turnouts are designed primarily for roadster style headers. Each turnout is constructed from 3 1/2" tube and available with or without built-in six sided louvered mufflers. Turnouts provide the perfect finishing touch to many custom exhaust applications.



RAW STEEL PART NO.	HI-TEMP BLACK COATING	COATED PART NO.	CHROME PART NO.	INLET DIAMETER	LENGTH
--------------------	-----------------------	-----------------	-----------------	----------------	--------

SIDE TUBE TURNOUTS WITHOUT MUFFLER

H3817	H3817-B	-----	H3816	3 1/2"	20"
H3819	H3819-B	H3819-1	H3820	3 1/2"	26"

SIDE TUBE TURNOUTS WITH MUFFLER

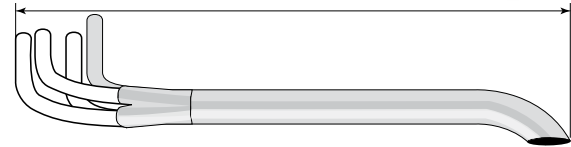
H3812	H3812-B	H3812-1	H3818	3 1/2"	20"
H3821	H3821-B	H3821-1	H3822	3 1/2"	26"

SIDE EXHAUST



LAKE PIPE '4'

Get the look of an expensive tuned header side pipe at a fraction of the cost. Chrome Lake Pipe '4' kits connect to headers or a stock exhaust system with one functioning inlet tube and 3 dress-up tubes. Side pipes have built in "HI-FLO" six sided louvered cored mufflers which absorb sound not horsepower. Fully welded brackets allow for easy installation. The length is measured from the first inlet tube to the tip of the side pipe.



PART NO.	INLET DIAMETER	OUTLET DIAMETER	LENGTH	REPLACEMENT INLET PIPE
LAKE PIPE '4'				
H1165	2"	3 1/2"	63"	
H1175	2"	3 1/2"	73"	
H1185	2"	3 1/2"	83"	

LOW-LINE LAKE PIPES

The look is back and you can have it with our triple, single and slant style lake pipes. These pipes do not incorporate any silencing materials and are recommended for non-functional use only. Available in three different lengths. The pipe kits come with chromed pipe plugs (except the slant style).



PART NO.	INLET DIAMETER	OUTLET DIAMETER	LENGTH
SLANT STYLE LOW-LINE LAKE PIPES			
H1260	2"	2"	60"
H1270	2"	2"	70"
H1280	2"	2"	80"
SINGLE STYLE LOW-LINE LAKE PIPES			
H1263	2"	2"	60"
H1273	2"	2"	70"
H1283	2"	2"	80"
TRIPLE STYLE LOW-LINE LAKE PIPES			
H1264	2"	2"	60"
H1274	2"	2"	70"
H1284	2"	2"	80"

LAKE PIPE PLUG KIT

Create the custom look with a Lake Plug kit. Comes complete with caps and hardware. Caps are also available separately. Sold in pairs.



Lake pipe plug kit	H1285
Lake pipe cap kit	H1286

CHROME CLAMPS

Why bolt up your new side pipe exhaust system with those rusty old clamps you've got laying around. Finish off your exhaust system with these stylish chrome clamps. Available in two sizes. Sold individually.



1 3/4" clamps	HPC175
2" clamps	HPC200



MUFFLERS



PART NO.	INLET/OUTLET DIAMETER	CORE DIAMETER	CASE LENGTH	CASE DIAMETER
SMITHY'S MUFFLERS				
H3010	2"	1 3/4"	22"	3 1/2"
H3011	2"	1 3/4"	26"	3 1/2"
H3012	2"	1 3/4"	30"	3 1/2"
H3013	2 1/4"	2 1/4"	22"	3 1/2"
H3014	2 1/4"	2 1/4"	26"	3 1/2"
H3015	2 1/4"	2 1/4"	30"	3 1/2"
H3016	2 1/2"	2 1/2"	22"	3 1/2"
H3017	2 1/2"	2 1/2"	26"	3 1/2"
H3018	2 1/2"	2 1/2"	30"	3 1/2"

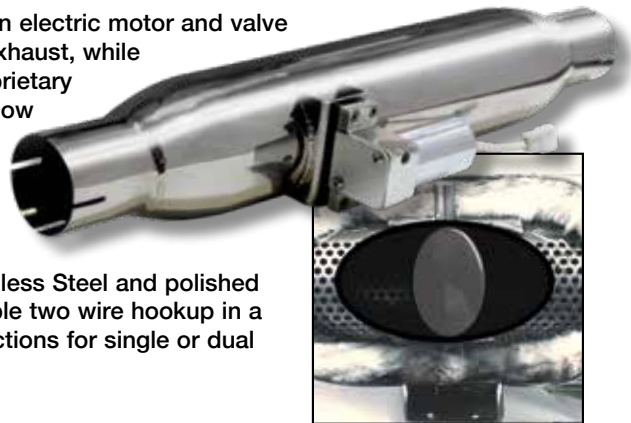
SMITHY'S® MUFFLER

The world's oldest performance muffler is now available for that "resto-rod" or your 1950's custom. Get the muffler your dad used to impress his friends, and yes, it's still guaranteed not to blow out or leak. Double end cap construction and 3 1/2" hammertone finished cases assure the original Smithy look.

VARAFLOW® TUNABLE MUFFLER

The VaraFlow muffler features SFI Technology and utilizes an electric motor and valve assembly which allows the user to adjust the sound of their exhaust, while they drive. SFI stands for Sound Flow Inversion, Patriot's proprietary valve and baffle design which allows the user to redirect the flow of the exhaust to instantly change the volume and tone. At idle the difference between open and closed positions is approximately 5 dB. At 5000 RPM the difference is closer to 15 dB. For reference, an increase of 10 dB. in sound is two times louder and an increase of 20 dB. is four times louder.

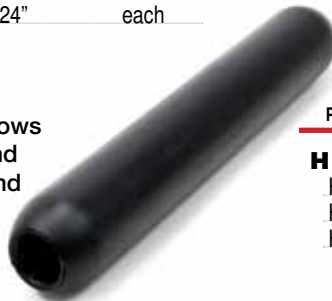
The VaraFlow Muffler is made from corrosion resistant Stainless Steel and polished to a high luster. VaraFlow mufflers come complete with a simple two wire hookup in a shielded harness, illuminated control switch and wiring instructions for single or dual switch installations. Sold individually.



PART NO.	INLET/OUTLET DIAMETER	CASE DIAMETER	LENGTH	UNIT OF MEASURE
VARAFLOW TUNABLE MUFFLER				
H3200	2 1/2"	4"	24"	each

HI-FLO GLASSPACKS

Heavy steel core design has six rows of louvers for reduced restriction and better sound absorption. Long strand sound absorption material is used for increased muffler life.



PART NO.	INLET/OUTLET DIAMETER	CORE DIAMETER	CASE LENGTH	CASE DIAMETER
HI-FLO GLASSPACK MUFFLERS				
H3344	1 3/4"	1 3/4"	22"	3"
H3544	1 3/4"	1 3/4"	22"	3 1/2"
H3345	1 3/4"	1 3/4"	24"	3"



HI-FLO HEADER MOUNT GLASSPACKS

Heavy steel core design has six rows of louvers for reduced restriction and better sound absorption. Long strand sound absorption material is used for increased muffler life.

Accommodates common 3-bolt header flanges.



PART NO.	COLLECTOR DIAMETER	CORE DIAMETER	CASE LENGTH	CASE DIAMETER
HI-FLO HEADER STYLE				
H3800	2 1/2"	2"	32 1/2"	3 1/2"
H3801	3"	2"	34"	3 1/2"
H3805	3 1/2"	2"	35"	3 1/2"

UNIVERSAL MINI MUFFLER

Reduce exhaust noise without a bulky exhaust system. This muffler is incredibly versatile.



PART NO.	CORE DIAMETER	LENGTH	CASE DIAMETER
MINI MUFFLER			
H3133	1"	12"	1 1/2"
H3121	1 1/4"	12"	1 5/8"
H3132	1"	8"	1 1/2"
H3120	1 1/4"	8"	1 5/8"

TWO STROKE SILENCER

Tone down the exhaust note of your 2-cycle engine. Simple "slip in" design allows this silencer to fit most expansion chambers.



PART NO.	CORE DIAMETER	LENGTH	CASE DIAMETER
TWO STROKE SILENCERS			
H2970	1"	8"	1 1/2"
H2971	1 1/4"	8"	2"

STANDARD MUFFLER INSERT

Our heavy duty six-sided louvered core is wrapped with hi-temp fiberglass packing for long life. Designed to slip inside turnouts, side pipes or extensions.



PART NO.	TUBE DIAMETER	LENGTH
STANDARD INSERT		
H3842	3 1/2"	7"
H3840	3 1/2"	12 1/2"

AUGER INSERT

Our auger style provides excellent sound control without the fiberglass packing.



PART NO.	TUBE DIAMETER	LENGTH
AUGER INSERT		
H3844	3"	11"
H3843	3 1/2"	11"

EXHAUST TIPS

BELLFLOWER TIP

The Bellflower design permits custom fabrication of the exhaust pipe. These tips are very popular on customized 50's and 60's rods.



DRIVE SHAFT TIP

The Drive Shaft tip has a rolled edge just like our bellflower tip but is a straight tip with no bend.



DUMP TUBE

Our chrome "Dump" tube has a straight through design without any silencing material and is recommended for non-functional use only. Dump tube measures 16" in length and has a 2" inlet and outlet. Includes cap.



STREET ROD MEGAPHONE

Megaphones can be used to give any street rod that custom look. Available in raw steel or chrome finishes and a wide assortment of inlet and outlet diameters.



TURN DOWN TIP

Specifically designed for motorcycle applications with each tip featuring an integral clamp fitting and a fine polished chrome finish.



STREET ROD TIPS

PART NO.	INLET DIAMETER	OUTLET DIAMETER	LENGTH
BELLFLOWER TIP			
H1530	1 7/8"	2 1/2"	28"
H1531	1 7/8"	2 1/2"	32"
H1532	1 7/8"	2 1/2"	39"
DRIVESHAFT TIP			
H1570	2 1/2"	2 1/2"	18"
H1571	2 1/2"	2 1/2"	24"
H1572	2 1/2"	2 1/2"	30"
DUMP TUBE			
H1620	2"	2"	16"
MEGAPHONE			
H7328 (chrome)	2"	4"	12"
H7324 (chrome)	2"	4"	24"
H7321 (chrome)	2 1/4"	3 3/4"	17 3/4"
H7329 (raw steel)	1 5/8"	3 1/2"	30"
H7331 (raw steel)	1 5/8"	4"	30"
H7327 (raw steel)	2"	4"	12"
H7323 (raw steel)	2"	4"	24"
H7320 (raw steel)	2 1/4"	3 3/4"	17 3/4"
TURN DOWN TIP			
H2963	1 1/2"	1 1/2"	13"
H2964	1 5/8"	1 5/8"	13"
H2965	1 3/4"	1 3/4"	13"

UNIVERSAL TIPS

PART NO.	INLET DIAMETER	OUTLET DIAMETER	LENGTH	STYLE
CURVE DOWN FLARE TIP				
H1542	1 7/8"		12"	
H1543	2"		12"	
H1546	2 1/2"		12"	
ECHO CAN				
H1534	2"	3 1/2"	12"	
H1535	2"	3 1/2"	18"	
FISHTAIL STYLE				
H2950	1 7/8"		8"	
PENCIL TIP				
H1607	2 1/8"	2 1/8"	9"	
SLASH CUT TIP				
H1505	2 1/2"		9"	
STRAIGHT FLARE TIP				
H1593	2 1/4"		9"	



EXHAUST ACCESSORIES

COLLECTOR REDUCERS

Our collector reducers are zinc plated to minimize corrosion while providing a weldable finish. Kits include two reducers, gaskets and flange bolts.



PART NO.	COLLECTOR DIA. (A)	OUTLET DIA. (C)	LENGTH (D)	THICKNESS (B)
COLLECTOR REDUCERS				
H7248	2 1/2"	2"	1 3/4"	4 Gauge
H7250	2 1/2"	2"	5"	4 Gauge
H7229	2 1/2"	2 1/4"	1 1/2"	4 Gauge
H7242	2 1/2"	2 1/2"	5"	4 Gauge
H7239	2 1/2"	2 1/2"	5"	5/16
H7251	3"	2 1/4"	5"	4 Gauge
H7243	3"	2 1/2"	5"	4 Gauge
H7238	3"	2 1/2"	5"	5/16
H7244	3"	3"	5"	4 Gauge
H7237	3"	3"	5"	5/16
H7252	3 1/2"	2 1/2"	5"	4 Gauge
H7236	3 1/2"	2 1/2"	5"	3/8
H7245	3 1/2"	3"	5"	4 Gauge
H7235	3 1/2"	3"	5"	3/8
H7246	3 1/2"	3 1/2"	5"	4 Gauge

DOMESTYLE REDUCER FOR H8019

H7247 2 1/2" 2 1/4" 1 3/4" 4 Gauge

REPLACEMENT REDUCER FOR H8014

H7249 2 1/2" 2 1/2" 4" 4 Gauge

OXYGEN SENSOR REDUCERS

H7232 2 1/2" 2 1/4" 5" 5/16
 H7233 3" 2 1/2" 5" 5/16

OXYGEN SENSOR FITTING

H7231 Universal weld-on 18mm thread sold individually



HEADER BRACKETS

Simplify your header installation with our quality brackets. These brackets are made from rigid steel and plated to resist corrosion.

PART NO. DESCRIPTION

GM ALTERNATOR BRACKETS

H7606 Mounting bracket left side only (use with H7607)
 H7607 Adapter bracket (use with H7606)

GM A/C BRACKETS

H7608 Chevy Small Block left side

FORD POWER STEERING BRACKET

H7609 Cars with external slave cylinder



TURNOUTS AND SLIP CONNECTORS

PART NO.	INLET DIAMETER	OUTLET DIAMETER	LENGTH	UNIT OF MEASURE
UNIVERSAL TURNOUTS				
H3813	3"	3"	9"	pair
H3814	3"	3"	24"	pair
H3815	3 1/2"	3 1/2"	9"	pair
H3817	3 1/2"	3 1/2"	20"	pair
UNIVERSAL TURNOUTS HI-TEMP BLACK				
H3817-B	3 1/2"	3 1/2"	20"	pair
SLIP CONNECTORS				
H7621	1 5/8"	1 5/8"	3"	each
H7624	1 3/4"	1 3/4"	3"	each
H7628	2"	2"	3 1/2"	each
H7631	2 1/4"	2 1/4"	4"	each
H7633	3"	3"	3"	each
H7635	4"	4"	4 1/2"	each





EXHAUST ACCESSORIES

EXHAUST HARDWARE

Our complete line of exhaust hardware will help complete any exhaust installation. From rubber grommets to custom chrome circle clamps for Lake pipes, we have it.

PART NO. DESCRIPTION

UNIVERSAL FLAT HANGER BRACKETS

- H7602 6" long flat hanger bracket
- H7603 7" long flat hanger bracket
- H7604 9" long flat hanger bracket
- H7613 7" long "L" hanger bracket



CIRCLE CLAMPS

- HPC175 Chrome circle clamp 1 3/4" diameter
- HPC200 Chrome circle clamp 2" diameter



U-CLAMPS

- H7172 U-clamp 1 1/2" diameter
- H7173 U-clamp 1 5/8" diameter
- H7174 U-clamp 1 3/4" diameter
- H7175 U-clamp 1 7/8" diameter
- H7176 U-clamp 2" diameter
- H7177 U-clamp 2 1/8" diameter
- H7179 U-clamp 2 1/4" diameter
- H7180 U-clamp 2 1/2" diameter
- H7181 U-clamp 3" diameter



GROMMETS

- H7240 Universal male style
- H7241 Universal female style



SIDE PIPE HOOK-UP KIT

Now there is an easy way for you to hook-up your side pipe exhaust system. Our kit works with 2" up to 2 1/2" inlet sizes and comes with two 90° and two 180° 400 series stainless steel bends with required saddle clamps. Some minor fabrication and welding may be required.

H7402



EXHAUST CUT-OUT KITS

Easy to install cut-outs permit quick bypassing of your exhaust system for maximum power in racing conditions. Cut-outs have bright zinc plated to minimize corrosion. Kits come with all necessary mounting hardware. Some fabrication may be required but no welding is needed.

PART NO. DESCRIPTION TUBE DIAMETER UNIT OF MEASURE

EXHAUST CUT-OUT KITS

PART NO.	DESCRIPTION	TUBE DIAMETER	UNIT OF MEASURE
H1129	Cut-out kit	2 1/4"	Single
H1130	Cut-out kit	2 1/2"	Pair
H1131	Cut-out kit	2 1/2"	Single
H1132	Cut-out kit	3"	Pair
H1133	Cut-out kit	3"	Single
H1134	Cut-out kit	3 1/2"	Pair
H1135	Cut-out kit	3 1/2"	Single

H1130



HEADER BOLTS

Our header bolts feature a reduced head for easier installation and are bright zinc plated to minimize corrosion.

DESCRIPTION 12 QTY. 16 QTY. 500 QTY.

DESCRIPTION	12 QTY.	16 QTY.	500 QTY.
5/16-18 x 3/4	H7976		
5/16-18 x 1	H7977		
8MM x 1.25 x 26MM	H7978		
8MM x 1.25 x 30MM	H7979		
10MM x 1.50 x 22MM		H7980	
NEW 10MM x 1.25 x 25MM		H7981	
NEW 10MM x 1.5 x 30MM		H7982	
3/8-16 x 3/4	H7970	H7971	H7972
3/8-16 x 1	H7973	H7974	H7975



3/8-16 X 3/4"



3/8-16 X 1"



FORMED COLLECTORS & FLANGES

FORMED COLLECTORS

Doug's mild steel (1010) formed collectors provide a smooth transition point for superior exhaust scavenging. Choose from a variety of primary tube and collector sizes.

COLLECTOR FLANGE KITS

Flange kits include two flanges, gaskets and flange bolts. Round collector flanges kits include two block off plates and two flanges.

PART NO.	PRI. TUBE DIAMETER	COLLECTOR DIAMETER	LENGTH	TUBING GAUGE	UNIT OF MEASURE
4 INTO 1 COLLECTORS					
H7678	1 1/2"	2 1/2"	6"	16	pair
H7668	1 1/2"	2 1/2"	9"	16	pair
H7669	1 1/2"	3"	9"	16	pair
H7679	1 1/2"	3 1/2"	10"	16	pair
H7671	1 5/8"	2 1/2"	10"	16	pair
H7670	1 5/8"	3"	10"	16	pair
H7680	1 5/8"	3 1/2"	10"	16	pair
H7672	1 3/4"	3"	10"	16	pair
H7682	1 3/4"	3 1/2"	10"	16	pair
H7674	1 7/8"	3"	10"	16	pair
H7684	1 7/8"	3 1/2"	10"	16	pair
H7686	2"	3 1/2"	10"	16	pair
H7681	2"	4"	10"	16	pair
H7688	2 1/8"	3 1/2"	10"	16	pair
H7689	2 1/8"	4"	12"	16	pair
H7685	2 1/4"	3 1/2"	10"	16	pair
H7690	2 1/4"	4"	10"	16	pair
H7693	2 3/8"	4 1/2"	10"	16	pair
H7696	2 1/2"	5"	10"	16	pair

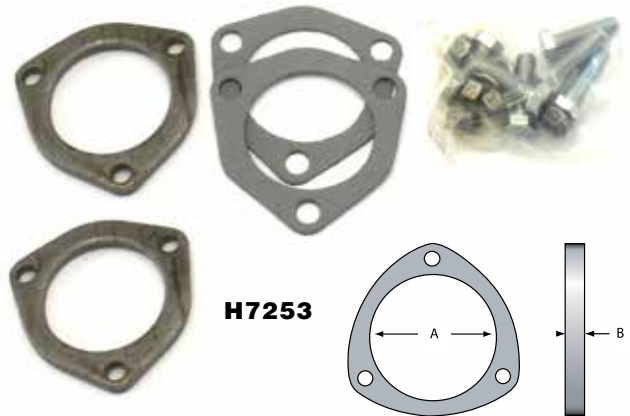
SLIP-ON 4 INTO 1 COLLECTORS

H7691	2 1/4"	4"	12"	16	pair
H7695	2 3/8"	4 1/2"	12"	16	pair
H7697	2 1/2"	5"	12"	16	pair

2 INTO 1 COLLECTORS

H7659	1 5/8"	2"	6 1/2"	16	each
H7660	1 5/8"	2 1/2"	6 1/2"	16	each
H7661	1 3/4"	2"	6 1/2"	16	each
H7662	1 3/4"	2 1/8"	6 1/2"	16	each
H7663	1 3/4"	2 1/4"	6 1/2"	16	each
H7664	2"	2 1/2"	6 1/2"	16	each
H7665	2 1/2"	3"	6 1/2"	16	each
H7666	2 1/2"	3 1/2"	6 1/2"	16	each
H7667	2 1/2"	4"	6 1/2"	16	each

PART NO.	DESCRIPTION	COLLECTOR DIAMETER (A)	FLANGE THICKNESS (B)
H7257	2 bolt	2"	4 Gauge
H7265	2 bolt	2 1/2"	4 Gauge
NEW H7255	2 bolt	1 1/2"	4 Gauge
H7258	3 bolt	2"	4 Gauge
H7259	3 bolt	2 1/2"	4 Gauge
H7230	3 bolt Stainless	2 1/2"	5/16"
H7253	3 bolt	2 1/2"	5/16"
H7254	3 bolt	2 1/2"	3/8"
H7260	3 bolt	3"	4 Gauge
H7268	3 bolt	3"	3/8"
H7261	3 bolt	3 1/2"	4 Gauge
H7269	3 bolt	3 1/2"	3/8"
H7266	4 bolt round	3 1/2"	5/16"
H7267	4 bolt round	4"	5/16"



H7664



H7697



HEADER FLANGE KITS

HEADER FLANGE KITS

Patriot precision machined header flange kits are available for many popular engine families. Header flange kits come complete with gaskets and header bolts on most applications. Choose from our heavy duty 3/8" supplied with our premium 1100° F gaskets or less expensive lighter weight 5/16" flanges.

PART NO.	ENGINE / DESCRIPTION	TUBE DIAMETER	PORT SHAPE
3/8" FLANGE KITS			
CADILLAC			
H7830	425, 500	1 7/8	SQ
CHEVROLET			
H7831	265-400	1 5/8"	RD
H7863	265-400	1 5/8"	OVL
H7832	265-400	1 3/4"	REC
H7834	348, 409	2"	REC
H7899	396-502	1 3/4" - 2"	SAP
H7886	396-502	2 1/8"	RD
H7887	396-502	2 1/4"	RD
H7888	396-502	2 3/8"	RD
H7889	396-502	2 1/2"	RD
H7898	572	2" - 2 1/8"	D-port
H7893	LS1-LS9	1 5/8" - 1 3/4"	RD
H7813	LS1-LS9	1 7/8"	RD
H7807	LS7	1 7/8"	D-port
CHRYSLER			
H7835	273-360	1 5/8" - 1 3/4"	SAP
H7812	5.7/6.1/6.4L Hemi	1 3/4"	SAP
H7838	383-440 excluding Hemi	1 3/4"	REC
H7828	383-440 excluding Hemi	2"	REC
H7837	331-392 Hemi	2"	RD
H7840	426 Hemi	2" - 2 1/4"	SQ
FORD			
H7841	260-351W	1 5/8" - 3/4"	REC
H7846	351W (World Product head)	1 3/4"	REC
H7808	4.6L 2V	1 5/8"	SAP
H7809	4.6L 3V	1 5/8"	SAP
H7810	4.6L 4V	1 5/8"	SAP
H7801	5.0L Coyote	1 7/8"	SAP
H7811	5.4/5.8L 4V	1 3/4"	SAP
H7844	351C (2BBL Heads), 351-400M	1 3/4"	OVL
H7845	Boss 302, 351C (4BBL Heads)	2"	SAP
H7847	390-428 (8-bolt truck)	1 3/4"	REC
H7848	390-428 (8-bolt car)	2" - 2 1/8"	REC
H7829	390-428 (16-bolt car)	2" - 2 1/8"	REC
H7849	429-460	1 3/4"	OVL
H7850	429-460	2"	OVL
H7851	460 (fuel injection)	1 3/4"	OVL / D
OLDSMOBILE			
H7852	403-455	1 3/4"	REC
PONTIAC			
H7853	326-455 (see note below)	1 7/8"	RD
H7859	326-455 (see note below)	2"	RD
H7854	326-455	1 5/8" - 1 3/4"	D-port
VOLVO			
H7802	B18-B20 1/2" thick flange	1 1/2"	REC

PART NO.	ENGINE / DESCRIPTION	TUBE DIAMETER	PORT SHAPE
5/16" FLANGE KITS			
BUICK			
H7860	401-425 (Nailhead)	1 5/8"	SAP
CADILLAC			
H7884	425, 500	1 7/8	SQ
CHEVROLET			
H7883	4.3L V6	1 1/2"	SQ
H7864	265-400	1 5/8"	RD
H7825	265-400	1 5/8"	OVL
H7861	265-400 (304 Stainless)	1 5/8"	OVL
H7894	265-400	1 3/4"	REC
H7896	265-400 Brodix	1 3/4"	RD
H7895	265-400 Brodix	1 7/8" - 2"	RD
H7833	265-400 (outer flange)	1 7/8" - 2"	RD
H7800	265-400 (inner flange)	N/A	SAP
H7872	348, 409	1 3/4"	REC
H7892	LS1-LS9	1 5/8" - 1 3/4"	RD
CHRYSLER			
H7880	273-360	1 5/8" - 1 3/4"	SAP
H7890	383-440 excluding Hemi	1 3/4"	REC
H7897	383-440 excluding Hemi	2"	REC
FORD			
H7804	2.3L 4 cylinder	1 5/8"	OVL
H7805	223 6 cylinder	1 1/2"	REC
H7842	260-351W	1 1/2"	REC
H7870	260-351W	1 5/8" - 1 3/4"	OVL
H7869	272-312 Y	1 1/2"	SQ
H7873	Flathead	1 3/4"	RD
H7806	351C (2BBL Heads), 351-400M	1 3/4"	OVL
H7881	Boss 302, 351C (4BBL Heads)	2"	SAP
H7855	390-428 (8-bolt truck)	1 3/4"	REC
H7871	429-460	2"	OVL
JAGUAR			
H7803	3.8-4.2L	1 5/8"	REC
PONTIAC			
H7882	326-455	1 5/8" - 1 3/4"	D-port



H7899

H7853 and H7859 flange kits fit Edelbrock Performer, RAM-Air, Super Duty and H.O. heads only

For flange kit images go to images.patriotexhaust.com



HEADER FLANGE GASKETS

Our gaskets are made from thick, tear resistant material and are specifically cut to match Patriot header flanges. Make sure you get the perfect match by ordering our replacement gaskets.

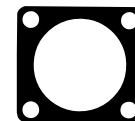
PART NO.	ENGINE	PORT SHAPE	UNIT OF MEASURE	GASKET STYLE	
BUICK					
H7584	401-425	REC	pair		
CADILLAC					
H7573	425, 500	SQ	pair		
CHEVROLET					
H7594	4.3L V6	SQ	pair		
H7585	283-400	OVL	pair		
H7586	283-400	RD	pair		
H7553	283-400 (BRODIX)	Spread Port	pair		
H7560	283-400	REC	pair		
H7588	LS1-LS9	RD	pair		
H7582	348-409	SAP	pair		
H7587	396-502	REC	pair		
HG9303LG	396-502 2 1/8" - 2 1/2"	RD	pair		
FORD					
H7506	2.3L 4 cylinder	RD	each		
H7597	223 6 cylinder	SQ	each		
H7557	Flathead (individual gaskets)	RD	set		
H7559	Flathead	RD	pair		
H7589	272-312 Y block	SQ	pair		
H7518	260-351W	REC	pair		
H7590	260-351W 1 5/8" - 1 3/4"	OVL	pair		
H7592	Boss 302, 351C (4BBL Heads)	SAP	pair		
H7596	351C (2BBL Heads), 351-400M	OVL	pair		
H7554	352-428 FE (8-bolt truck)	REC	pair		
H7591	429-460	OVL	pair		
JAGUAR					
H7555	3.8-4.2L	REC	pair		
MOPAR					
H7593	318-360	SAP	pair		
H7574	331-392 HEMI	RD	pair		
H7595	383-440 Excluding Hemi	REC	pair		
OLDSMOBILE					
H7572	350-455	REC	pair		
PONTIAC					
H7581	326-455	SAP	pair		
VOLVO					
H7583	1800cc	REC	each		

PART NO.	DESCRIPTION	COLLECTOR DIAMETER	UNIT OF MEASURE
COLLECTOR GASKETS			
H7953	two bolt collector gasket	2"	pair
H7952	two bolt collector gasket	2 1/2"	pair
H7938	three bolt collector gasket	2 1/2"	pair
H7947	three bolt collector gasket	3"	pair
H7951	three bolt collector gasket	3 1/2"	pair
H7546	sq four bolt collector gasket	2 1/2"	pair
H7957	rd four bolt collector gasket	3 1/2"	pair
H7998	rd four bolt collector gasket	4"	pair

TWO BOLT STYLE



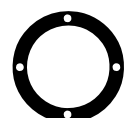
SQUARE FOUR BOLT STYLE



THREE BOLT STYLE

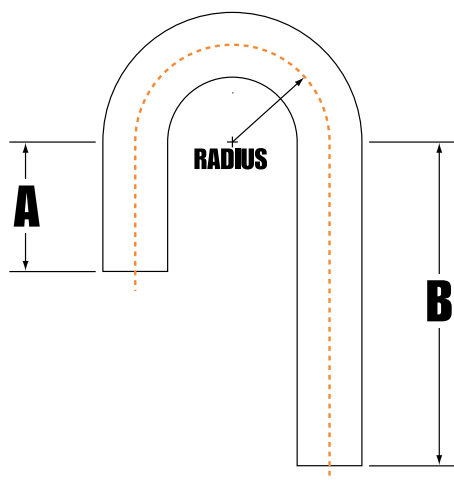


ROUND FOUR BOLT STYLE





J BENDS



MILD STEEL MANDREL BENDS (1010)

Our mild steel mandrel bends are available in many combinations of radius, tube diameter and length to suit professional header builders, custom muffler shops and do-it-yourselfers alike. All our bends are made on the industry's most up to date mandrel bending machines to ensure smooth wrinkle-free bends with no crimping.

ALUMINIZED MANDREL BENDS (A787)

Aluminized tubing has become increasingly popular in exhaust system fabrication as a lower cost alternative to stainless steel. We offer a complete assortment of bends in all the popular exhaust system sizes.

304 STAINLESS STEEL MANDREL BENDS (A269)

Our 304 stainless steel mandrel bends combine excellent physical properties with a remarkable resistance to corrosive agents found in automotive exhaust emissions. 304 material is the most cost-effective grade of nonmagnetic stainless steel for high strength racing applications or custom street machine exhaust systems.



PART NO.	GAUGE	TUBE DIAMETER	RADIUS	LEG LENGTHS	
				A	B

J BENDS

18 GAUGE MILD STEEL (1010)

H7013	18	1 1/2"	2"	6"	15"
H7018	18	1 5/8"	2"	6"	15"
H7002	18	1 5/8"	4"	6"	15"
H7020	18	1 3/4"	2"	6"	15"
H7022	18	1 3/4"	2 1/2"	6"	15"
H7028	18	1 7/8"	2 1/2"	6"	15"
H7029	18	1 7/8"	3"	6"	15"
H7036	18	2"	3"	6"	15"
H7041	18	2"	4"	6"	15"
H7043	18	2 1/8"	3"	6"	15"
H7001	18	2 1/8"	3 1/2"	6"	15"
H7049	18	2 1/4"	3 1/2"	6"	15"
H7075	18	2 1/4"	4"	6"	15"
H7078	18	2 3/8"	3"	6"	15"
H7054	18	2 1/2"	3"	6"	15"
H7076	18	2 1/2"	4"	6"	15"

16 GAUGE MILD STEEL (1010)

H7008	16	1 1/2"	2"	6"	15"
H7019	16	1 5/8"	2"	6"	15"
H7003	16	1 5/8"	4"	6"	15"
H7021	16	1 3/4"	2"	6"	15"
H7032	16	1 7/8"	2 1/2"	6"	15"
H7042	16	2"	3"	6"	15"
H7044	16	2 1/8"	3"	6"	15"
H7048	16	2 1/8"	4"	6"	15"
H7053	16	2 1/4"	3 1/2"	6"	15"
H7059	16	2 1/2"	3"	6"	15"
H7058	16	2 1/2"	4"	6"	15"

ALUMINIZED (A787)

H7080	16	2 1/4"	3 1/2"	6"	15"
H7083	16	2 1/2"	4"	6"	15"

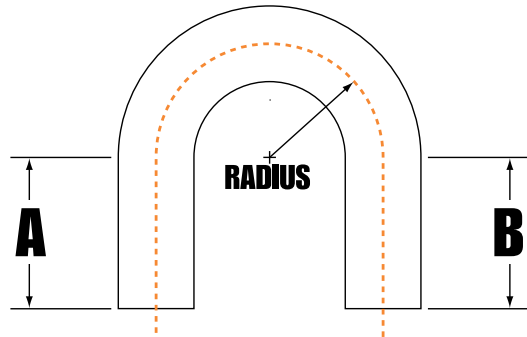
304 STAINLESS STEEL (A269)

H6900	18	1 1/4"	2 1/4"	6"	12"
H6901	18	1 3/8"	2 1/2"	6"	12"
H6902	18	1 1/2"	2"	6"	12"
H6903	18	1 1/2"	2 1/2"	6"	12"
H6904	18	1 1/2"	3"	6"	12"
H6905	18	1 5/8"	2"	6"	12"
H6906	18	1 5/8"	2 1/2"	6"	12"
H6907	18	1 5/8"	3"	6"	12"
H6908	18	1 3/4"	2"	6"	12"
H6909	18	1 3/4"	2 1/2"	6"	12"
H6910	18	1 3/4"	3"	6"	12"
H6911	18	1 3/4"	4"	6"	12"
H6912	18	1 7/8"	2 1/2"	6"	12"
H6913	18	1 7/8"	3"	6"	12"
H6915	18	2"	3"	6"	12"
H6956	16	2"	3"	6"	12"
H6916	18	2"	4"	6"	12"
H6917	18	2 1/8"	3"	6"	12"
H6957	16	2 1/8"	3"	6"	12"
H6918	18	2 1/8"	3 1/2"	6"	12"
H6919	18	2 1/8"	4"	6"	12"
H6920	18	2 1/4"	3 1/2"	6"	12"
H6958	16	2 1/4"	3 1/2"	6"	12"
H6921	18	2 1/4"	4"	6"	12"
H6924	18	2 1/2"	4"	6"	12"



U BENDS

PART NO.	GAUGE	TUBE DIAMETER	RADIUS	LEG LENGTHS	
				A	B
U BENDS					
18 GAUGE MILD STEEL (1010)					
H7000	18	1 1/4"	2 1/4"	6"	6"
H7006	18	1 3/8"	2 1/2"	6"	6"
H7010	18	1 1/2"	2"	6"	6"
H7011	18	1 1/2"	2 1/2"	6"	6"
H7012	18	1 1/2"	3"	6"	6"
H7016	18	1 5/8"	2 1/2"	6"	6"
H7017	18	1 5/8"	3"	6"	6"
H7014	18	1 5/8"	6"	12"	12"
H7023	18	1 3/4"	2 1/2"	6"	6"
H7024	18	1 3/4"	3"	6"	6"
H7025	18	1 3/4"	4"	6"	6"
H7026	18	1 3/4"	6"	6"	6"
H7027	18	1 3/4"	6"	12"	12"
H7030	18	1 7/8"	3"	6"	6"
H7031	18	1 7/8"	4"	6"	6"
H7033	18	1 7/8"	6"	12"	12"
H7037	18	2"	3"	6"	6"
H7038	18	2"	4"	6"	6"
H7039	18	2"	6"	6"	6"
H7040	18	2"	6"	12"	12"
H7045	18	2 1/8"	6"	12"	12"
H7073	18	2 1/4"	6"	12"	12"
H7074	18	2 1/2"	5"	12"	12"
16 GAUGE MILD STEEL (1010)					
H7007	16	1 1/2"	2"	6"	6"
H7015	16	1 5/8"	2 1/2"	6"	6"
H7009	16	1 5/8"	6"	12"	12"
H7068	16	1 3/4"	6"	12"	12"
H7034	16	1 7/8"	6"	12"	12"
H7064	16	2"	6"	12"	12"
H7077	16	2 1/8"	3"	6"	6"
H7046	16	2 1/8"	3 1/2"	6"	6"
H7047	16	2 1/8"	6"	12"	12"
H7050	16	2 1/4"	4"	6"	6"
H7051	16	2 1/4"	6"	6"	6"
H7052	16	2 1/4"	6"	12"	12"
H7055	16	2 1/2"	4"	6"	6"
H7057	16	2 1/2"	5"	12"	12"
H7056	16	2 1/2"	6"	6"	6"
H7060	16	3"	6"	6"	6"
H7065	16	3 1/2"	7"	6"	6"
H7066	16	4"	7"	6"	6"
ALUMINIZED (A787)					
H7081	16	2 1/4"	6"	12"	12"
H7090	16	3 1/2"	7"	12"	12"
H7093	16	4"	7"	12"	12"

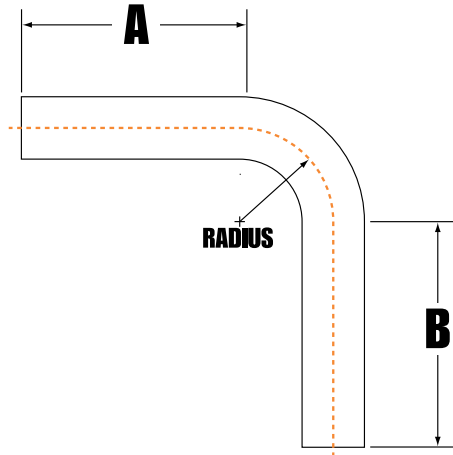


PART NO.	GAUGE	TUBE DIAMETER	RADIUS	LEG LENGTHS	
				A	B
U BENDS					
18 GAUGE 304 STAINLESS STEEL (A269)					
H6925	18	1 1/4"	2 1/4"	6"	6"
H6926	18	1 3/8"	2 1/2"	6"	6"
H6927	18	1 1/2"	3"	6"	6"
H6929	18	1 5/8"	6"	6"	6"
H6930	18	1 3/4"	3"	6"	6"
H6931	18	1 3/4"	6"	6"	6"
H6932	18	1 7/8"	6"	6"	6"
H6933	18	2"	6"	6"	6"
H6934	18	2 1/8"	6"	6"	6"
H6935	18	2 1/4"	3 1/2"	6"	6"
H6937	18	2 1/2"	4"	6"	6"
H6939	18	2 1/2"	6"	6"	6"
H6941	18	3"	6"	6"	6"
16 GAUGE 304 STAINLESS STEEL (A269)					
H6936	16	2 1/4"	3 1/2"	6"	6"
H6938	16	2 1/2"	4"	6"	6"
H6940	16	2 1/2"	6"	6"	6"
H6942	16	3"	6"	6"	6"





SPECIALITY BENDS & TUBING



PART NO.	GAUGE	TUBE DIAMETER	RADIUS	LEG LENGTHS	
				A	B

SPECIALITY BENDS

45° BENDS 304 STAINLESS STEEL (A269)

H6950	16	2 1/4"	3 1/2"	6"	6"
H6951	16	2 1/2"	4"	6"	6"
H6952	16	3"	6"	6"	6"

90° BENDS MILD STEEL (1010)

H7062	16	3"	3 1/2"	6"	12"
H7061	18	3"	3 1/2"	6"	12"
H7063	16	3 1/2"	4"	6"	12"
H7067	16	4"	4 1/2"	6"	12"

90° BENDS 304 STAINLESS STEEL (A269)

H6954	16	2 1/2"	4"	6"	6"
H6955	16	3"	6"	6"	6"

120° BENDS MILD STEEL (1010)

H7070	16	3"	3 1/2"	6"	12"
H7071	16	3 1/2"	4"	6"	12"
H7072	16	4"	4 1/2"	6"	12"

120° BENDS ALUMINIZED (A787)

H7089	16	3 1/2"	4"	6"	12"
-------	----	--------	----	----	-----

PART NO.	GAUGE	TUBE DIAMETER	LENGTHS
TUBING			
MILD STEEL (1010)			
H7748	18	1 1/2"	5'
H7751	16	1 5/8"	5'
H7750	18	1 5/8"	5'
H7752	18	1 3/4"	5'
H7755	16	1 7/8"	5'
H7754	18	1 7/8"	5'
H7757	16	2"	5'
H7756	18	2"	5'
H7759	16	2 1/8"	5'
H7758	18	2 1/8"	5'
H7761	16	2 1/4"	5'
H7760	18	2 1/4"	5'
H7763	16	2 1/2"	5'
H7762	18	2 1/2"	5'
H7765	16	3"	5'
H7764	18	3"	5'
H7767	16	3 1/2"	5'
H7768	16	4"	5'

ALUMINIZED (A787)

H7786	16	3 1/2"	5'
-------	----	--------	----

304 STAINLESS STEEL (A269)

H7700	18	1 1/4"	5'
H7701	18	1 3/8"	5'
H7702	18	1 1/2"	5'
H7703	18	1 5/8"	5'
H7704	18	1 3/4"	5'
H7705	18	1 7/8"	5'
H7706	18	2"	5'
H7707	16	2"	5'
H7710	18	2 1/4"	5'
H7711	16	2 1/4"	5'
H7712	18	2 3/8"	5'
H7713	16	2 3/8"	5'
H7714	18	2 1/2"	5'
H7715	16	2 1/2"	5'
H7716	18	3"	5'
H7717	16	3"	5'
H7718	16	3 1/2"	5'





PICTURE GALLERY



H4800-1



H4803



H4830



H4830-1



H4850-1



H4851-1



H8005



H8007



H8011



H8012-1



H8013-1



H8017-1



H8018-1



H8020-1



H8021-1

PATRIOT[®]

Exhaust Products



PICTURE GALLERY



H8022-1



H8023-1



H8024-1



H8025



H8025-1



H8026-1



H8031-1



H8032



H8033-1



H8035-1



H8036



H8036-1



H8038-1



H8039-1



H8040-1



H8044-1



PICTURE GALLERY



H8045



H8046-1



H8047-1



H8048-1



H8049-1



H8050-1



H8051-1



H8054-1



H8055-1



H8056-1



H8057-1



H8058-1



H8059-1



H8062-1



H8063-1



PICTURE GALLERY



H8068-1



H8069-1



H8071-1



H8073



H8073-1



H8075



H8076-1



H8077-1



H8078-1



H8079-1



H8084-1



H8087-1



H8089-1



H8091



H8093



PICTURE GALLERY



H8096-1



H8100-1



H8101-1



H8206-1



H8207-1



H8208-1



H8209-1



H8210-1



H8301-1



H8302-1



H8401-1



H8402-1



H8403-1



H8405-1



H8406-1



H8407-1



PICTURE GALLERY



H8408-1



H8409-1



H8410



H8411-1



H8412-1



H8413-1



H8414



H8420-1



H8422-1



H8423-1



H8425-1



H8426



H8426-1



H8429-1



H8431-1



H8433-1



PICTURE GALLERY



H8435-1



H8436-1



H8440



H8467



H8469



H8471-1



H8472-1



H8474-1



H8475-1



H8476-1



H8477-1



H8501-1



H8503



H8504

PATRIOT®

Exhaust Products



PART NUMBER INDEX

PART NO.	PAGE NO.	PART NO.	PAGE NO.	PART NO.	PAGE NO.	PART NO.	PAGE NO.	PART NO.	PAGE NO.
H1050.....	22	H3801.....	25	H6942.....	33	H7064.....	33	H7327.....	26
H1060.....	22	H3805.....	25	H6950.....	34	H7065.....	33	H7328.....	26
H1070.....	22	H3811.....	7	H6951.....	34	H7066.....	33	H7329.....	26
H1080.....	22	H3812.....	9, 22	H6952.....	34	H7067.....	34	H7331.....	26
H1129.....	28	H3813.....	27	H6954.....	34	H7068.....	33	h7402.....	22
H1130.....	28	H3814.....	27	H6955.....	34	H7070.....	34	H7402.....	28
H1131.....	28	H3815.....	27	H6956.....	32	H7071.....	34	H7432.....	22
H1132.....	28	H3816.....	9, 22	H6957.....	32	H7072.....	34	H7433.....	22
H1133.....	28	H3817.....	9, 22, 27	H6958.....	32	H7073.....	33	H7434.....	22
H1134.....	28	H3818.....	9, 22	H7000.....	33	H7074.....	33	H7435.....	22
H1135.....	28	H3819.....	9, 22	H7001.....	32	H7075.....	32	H7452.....	22
H1145.....	7	H3820.....	9, 22	H7002.....	32	H7076.....	32	H7453.....	22
H1146.....	7	H3821.....	9, 22	H7003.....	32	H7077.....	33	H7454.....	22
H1165.....	23	H3822.....	9, 22	H7006.....	33	H7078.....	32	H7506.....	31
H1170.....	23	H3824.....	9, 22	H7007.....	33	H7080.....	32	H7518.....	31
H1175.....	23	H3832.....	20	H7008.....	32	H7081.....	33	H7546.....	31
H1180.....	23	H3833.....	20	H7009.....	33	H7083.....	32	H7553.....	31
H1185.....	23	H3834.....	20	H7010.....	33	H7084.....	33	H7554.....	31
H1260.....	23	H3840.....	25	H7011.....	33	H7089.....	34	H7555.....	31
H1263.....	23	H3842.....	25	H7012.....	33	H7090.....	33	H7557.....	31
H1264.....	23	H3843.....	25	H7013.....	32	H7093.....	33	H7559.....	31
H1270.....	23	H3844.....	25	H7014.....	33	H7172.....	28	H7572.....	31
H1273.....	23	h3845.....	7	H7015.....	33	H7173.....	28	H7573.....	31
H1274.....	23	H3950.....	22	H7016.....	33	H7174.....	28	H7574.....	31
H1280.....	23	H3952.....	22	H7017.....	33	H7175.....	28	H7581.....	31
H1283.....	23	H3954.....	22	H7018.....	32	H7176.....	28	H7582.....	31
H1284.....	23	H4800.....	20, 35	H7019.....	32	H7177.....	28	H7583.....	31
H1285.....	23	H4803.....	20, 35	H7020.....	32	H7179.....	28	H7584.....	31
H1286.....	23	H4830.....	20, 35	H7021.....	32	H7180.....	28	H7585.....	31
H1505.....	26	H4850.....	20, 35	H7022.....	32	H7181.....	28	H7586.....	31
H1530.....	26	H4851.....	20, 35	H7023.....	33	H7229.....	27	H7587.....	31
H1531.....	26	H6900.....	32	H7024.....	33	H7230.....	29	H7588.....	31
H1532.....	26	H6901.....	32	H7025.....	33	H7231.....	27	H7589.....	31
H1533.....	26	H6902.....	32	H7026.....	33	H7232.....	27	H7590.....	31
H1534.....	26	H6903.....	32	H7027.....	33	H7233.....	27	H7591.....	31
H1535.....	26	H6904.....	32	H7028.....	32	H7235.....	27	H7592.....	31
H1542.....	26	H6905.....	32	H7029.....	32	H7236.....	27	H7593.....	31
H1543.....	26	H6906.....	32	H7030.....	33	H7237.....	27	H7594.....	31
H1546.....	26	H6907.....	32	H7031.....	33	H7238.....	27	H7595.....	31
H1570.....	26	H6908.....	32	H7032.....	32	H7239.....	27	H7596.....	31
H1571.....	26	H6909.....	32	H7033.....	33	H7240.....	28	H7597.....	31
H1572.....	26	H6910.....	32	H7034.....	33	H7241.....	28	H7602.....	28
H1593.....	26	H6911.....	32	H7036.....	32	H7242.....	27	H7603.....	28
H1607.....	26	H6912.....	32	H7037.....	33	H7243.....	27	H7604.....	28
H1620.....	26	H6913.....	32	H7038.....	33	H7244.....	27	H7606.....	27
H2950.....	26	H6915.....	32	H7039.....	33	H7245.....	27	H7607.....	27
H2963.....	26	H6916.....	32	H7040.....	33	H7246.....	27	H7608.....	27
H2964.....	26	H6917.....	32	H7041.....	32	H7247.....	27	H7609.....	27
H2965.....	26	H6918.....	32	H7042.....	32	H7248.....	27	H7613.....	28
H2970.....	25	H6919.....	32	H7043.....	32	H7249.....	27	H7621.....	27
H2971.....	25	H6920.....	32	H7044.....	32	H7250.....	27	H7624.....	27
H3010.....	24	H6921.....	32	H7045.....	33	H7251.....	27	H7628.....	27
H3011.....	24	H6924.....	32	H7046.....	33	H7252.....	27	H7631.....	27
H3012.....	24	H6925.....	33	H7047.....	33	H7253.....	29	H7633.....	27
H3013.....	24	H6926.....	33	H7048.....	32	H7254.....	29	H7635.....	27
H3014.....	24	H6927.....	33	H7049.....	32	H7255.....	29	H7640.....	21
H3015.....	24	H6928.....	33	H7050.....	33	H7257.....	29	H7641.....	21
H3016.....	24	H6929.....	33	H7051.....	33	H7258.....	29	H7659.....	29
H3017.....	24	H6930.....	33	H7052.....	33	H7259.....	29	H7660.....	29
H3018.....	24	H6931.....	33	H7053.....	32	H7260.....	29	H7661.....	29
H3120.....	25	H6932.....	33	H7054.....	32	H7261.....	29	H7662.....	29
H3121.....	25	H6933.....	33	H7055.....	33	H7265.....	29	H7663.....	29
H3132.....	25	H6934.....	33	H7056.....	33	H7266.....	29	H7664.....	29
H3133.....	25	H6935.....	33	H7057.....	33	H7267.....	29	H7665.....	29
H3200.....	24	H6936.....	33	H7058.....	32	H7268.....	29	H7666.....	29
H3344.....	24	H6937.....	33	H7059.....	32	H7269.....	29	H7667.....	29
H3345.....	24	H6938.....	33	H7060.....	33	H7320.....	26	H7668.....	29
H3543.....	24	H6939.....	33	H7061.....	34	H7321.....	26	H7669.....	29
H3544.....	24	H6940.....	33	H7062.....	34	H7323.....	26	H7670.....	29
H3800.....	25	H6941.....	33	H7063.....	34	H7324.....	26	H7671.....	29



Exhaust Products

PART NUMBER INDEX

PART NO.	PAGE NO.	PART NO.	PAGE NO.	PART NO.	PAGE NO.	PART NO.	PAGE NO.	PART NO.	PAGE NO.
H7672	29	H7829	30	H7982	28	H8066-1	5	H8431	6, 40
H7674	29	H7830	30	H7998	31	H8067	4	H8433	11, 15, 16, 40
H7678	29	H7831	30	H8001	7	H8067-1	5	H8434	15, 16
H7679	29	H7832	30	H8002	7	H8068	14, 17, 38	H8435	11, 41
H7680	29	H7833	30	H8003	7	H8069	8, 38	H8436	11, 41
H7681	29	H7834	30	H8004	7	H8070	8	H8437	4
H7682	29	H7835	30	H8005	9, 20, 35	H8071	8, 38	H8437-1	5
H7684	29	H7837	30	H8006	4	H8072	8	H8440	11, 41
H7685	29	H7838	30	H8006-1	5	H8073	12, 18, 38	H8467	8, 41
H7686	29	H7840	30	H8007	9, 35	H8074	6, 38	H8468	8
H7688	29	H7841	30	H8008	14	H8075	7, 38	H8469	8, 41
H7689	29	H7842	30	H8009	9	H8076	10, 12, 13, 14, 17, 38	H8471	6, 41
H7690	29	H7844	30	H8011	9, 35	H8077	10, 12, 14, 38	H8472	6, 41
H7691	29	H7845	30	H8012	10, 13, 14, 35	H8078	12, 13, 38	H8474	6, 41
H7693	29	H7846	30	H8013	10, 13, 14, 35	H8079	18, 38	H8475	7, 41
H7695	29	H7847	30	H8014	4	H8080	4	H8476	15, 41
H7696	29	H7848	30	H8014-1	5	H8080-1	5	H8477	15, 41
H7697	29	H7849	30	H8016	9	H8083-1	5	H8482	4
H7700	34	H7850	30	H8017	10, 35	H8084	6, 38	H8482-1	5
H7701	34	H7851	30	H8018	10, 35	H8086	4	H8483	4
H7702	34	H7852	30	H8019	4	H8087	12, 18, 38	H8483-1	5
H7703	34	H7853	30	H8019-1	5	H8089	10, 38	H8500	4
H7704	34	H7854	30	H8020	21, 35	H8090	4	H8500-1	5
H7705	34	H7855	30	H8021	10, 13, 14, 16, 17, 35	H8090-1	5	H8501	6, 41
H7706	34	H7859	30	H8022	21, 36	H8091	20, 38	H8503	6, 41
H7707	34	H7860	30	H8023	12, 13, 36	H8092	20	H8504	7, 41
H7710	34	H7861	30	H8024	13, 14, 36	H8093	20, 38	H8600	13, 19
H7711	34	H7863	30	H8025	13, 14, 36	H8094	20	HG9303LG	31
H7712	34	H7864	30	H8026	13, 14, 36	H8095	20	HPC175	23, 28
H7713	34	H7869	30	H8027	4	H8096	10, 14, 16, 17, 39	HPC200	23, 28
H7714	34	H7870	30	H8027-1	5	H8097	12, 13, 14, 17		
H7715	34	H7871	30	H8028	4	H8098	10, 11, 18, 19		
H7716	34	H7872	30	H8029	4	H8100-1	16, 17, 39		
H7717	34	H7873	30	H8029-1	5	H8101	16, 17, 39		
H7718	34	H7880	30	H8031	8, 36	H8201	4		
H7748	34	H7881	30	H8032	8, 36	H8201-1	5		
H7750	34	H7882	30	H8033	10, 36	H8204	4		
H7751	34	H7883	30	H8034	12, 13	H8205	4		
H7752	34	H7884	30	H8035	12, 13, 36	H8205-1	5		
H7754	34	H7886	30	H8036	12, 18, 36	H8206	15, 39		
H7755	34	H7887	30	H8037	4	H8207	15, 39		
H7756	34	H7888	30	H8037-1	5	H8208	6, 39		
H7757	34	H7889	30	H8038	21, 36	H8209	7, 39		
H7758	34	H7890	30	H8039	10, 36	H8210	6, 39		
H7759	34	H7892	30	H8040	6, 36	H8211	18		
H7760	34	H7893	30	H8045	21, 37	H8301	17, 39		
H7761	34	H7894	30	H8046	12, 13, 37	H8302	17, 39		
H7762	34	H7895	30	H8047	10, 13, 14, 37	H8401	21, 39		
H7763	34	H7896	30	H8048	18, 37	H8402	21, 39		
H7764	34	H7897	30	H8049	18, 37	H8403	15, 16, 39		
H7765	34	H7898	30	H8050	13, 37	H8405	19, 39		
H7767	34	H7899	30	H8051	12, 18, 37	H8406	19, 39		
H7768	34	H7938	31	H8052	4	H8407	15, 16, 39		
H7786	34	H7947	31	H8052-1	5	H8408	15, 16, 40		
H7800	30	H7951	31	H8053	4	H8409-1	15, 16, 40		
H7801	30	H7952	31	H8054	18, 37	H8410	9, 40		
H7802	30	H7953	31	H8055	13, 37	H8411	15, 16, 40		
H7803	30	H7957	31	H8056	10, 13, 14, 37	H8412	15, 16, 40		
H7804	30	H7970	28	H8057	18, 37	H8413	15, 16, 40		
H7805	30	H7971	28	H8058	18, 37	H8414	7, 40		
H7806	30	H7972	28	H8059	18, 37	H8420	11, 40		
H7807	30	H7973	28	H8060	8	H8422	11, 19, 40		
H7808	30	H7974	28	H8061	8, 37	H8423	21, 40		
H7809	30	H7975	28	H8062	13, 14, 37	H8424	4		
H7810	30	H7976	28	H8063	13, 37	H8425	11, 19, 40		
H7811	30	H7977	28	H8064	4	H8426	15, 16, 40		
H7812	30	H7978	28	H8064-1	5	H8427	4		
H7813	30	H7979	28	H8065	4	H8427-1	5		
H7825	30	H7980	28	H8065-1	5	H8428	4		
H7828	30	H7981	28	H8066	4	H8429	11, 40		



FOOTNOTES

- 1 Does not fit angle plug heads
- 3 Fits with stock or 605 steering boxes, aftermarket side engine mounts and rear trans cross member
- 4 Fenderwell exit
- 5 Mid Length Design for Maximum Ground Clearance
- 7 157 tooth flywheel use Pertronix Starter # S3003P/B or Ford Racing Mini Starter #M-11000-B51 for 167 tooth flywheel use Pertronix Starter #S3004P/B or Ford Racing Mini Starter #M-11000-MT164
- 8 Kits consist of 8 mandrel bent header tubes, flange kit and formed collectors
- 10 Outside frame exit
- 11 Universal block hugger design
- 12 Dome type reducer kit available separately part # H7247
- 13 May require smaller front tires to avoid contact.
- 14 37-57 Chevy applications require alteration of emergency brake rod
- 15 Can be used with most oil filter system or transmission and starter combination
- 16 Tucks very close to engine
- 17 Fits most angle plug heads
- 18 Header installation requires the use of the 1965-66 Non Hi-Po V8 clutch equalizer bar
- 19 Check motor mount position before ordering
- 20 Chrome headers are polished before and after assembly for show quality appearance. Chrome will discolor over time from heat of the engine
- 23 Will not fit if engine is located more than 3/4" forward for HEI firewall clearance. Fits with Trans Dapt PN 4195 or 4177, Danchuck PN 871, 12184, 17756, 17757, & 16339 or equivalent
- 24 Tight tuck headers do not fit 55-57 Chevys, Camaros or other modern vehicles which have a crossmember below the engine's center two exhaust ports. See catalog specific fit applications for your vehicle
- 26 67-70 models may require clearancing header on driver's side around the steering box
- 32 Fits only when a 62-67 type intake manifold is used
- 34 Rear Exit design
- 36 Fits D-Port cylinder heads including ZZ4 crate engines. Will Not fit GM Fast Burn head PN 19300955 or SP350, SP383 & ZZ6 engines
- 37 Fits standard deck big blocks only, will not fit tall deck 572 or aftermarket equivalent
- 38 Does not fit "Camper Special" models
- 41 Kit includes header flanges, collector flanges, block-off plates, four exhaust hookup flanges, pre-bent header tubes and two collector cones
- 43 Exits toward front tire
- 44 Can be run upside down to gain clearance but will require relocating water temperature sending unit
- 45 Fits with side or front motor mounts
- 46 Fits with stock, Mustang, Vega or Saginaw steering
- 47 Fits with stock, Mustang and Vega steering
- 49 Fits 71-74 passenger cars and wagons with auto trans column shift only
- 52 Will not fit 67-69 Camaro or 68-74 Nova with Factory Saginaw 800 power steering box
- 53 Not recommended for Gen-6 502cid engines with aluminum heads
- 54 Fits with manual and auto trans floor shifts only
- 55 Fits GT40 "P" head
- 56 Stepped pipe design increases low end torque without sacrificing higher RPM performance
- 57 Slip on style 90 and 45 degree collectors are adjustable for tuning and footbox location
- 58 Header uses dual collector design for increased torque
- 59 Fits the flathead six engine but does not provide for heat exchange to the stock cast intake manifold
- 60 Will not fit with 168 tooth flywheels or kickout aftermarket Oil Pans
- 61 Does not fit 67-69 Camaro with A/C
- 62 Must use 66 1/2 or later motor mount frame brackets (approx. 1" higher than 65/early 66 style)
- 64 Fits with manual transmissions using T5 bell housings with cable or Hydraulic clutch Only
- 65 Fits with solid side and rear mounts
- 66 Does not clear stock manual clutch linkage ball located behind the #7 cylinder
- 67 Must use Car Shop inc. or Trans Dapt engine swap kit
- 68 Fits with Turbo 350 automatic transmissions with floor shifter only
- 69 Big block frame stands and motor mounts must be used to insure proper engine location and header fit.
- 70 Fits production chassis exiting under the car
- 71 Does not clear 2.0L stock motor mount
- 72 Goes through firewall if used on a production Pinto/Mustang II chassis.
- 74 Fits Brodix spread port style heads with staggered bolt pattern
- 75 Fuel injected engines only
- 76 Fits with Trans Dapt PN 4195 or 4177, Danchuck PN 871, 12184, 17756, 17757, & 16339 or equivalent and stock or 605 steering boxes. Stock mid mount and ears on the frame must be removed
- 77 Manual Transmission require cable or hydraulic clutch
- 78 Must replace the stock oil pan with a Canton 16-100 two piece or 16-100T one piece style rear main seal.
- 81 This header is shorter than other tight tucks allowing more room for steering components.
- 83 Fits with manual transmissions using 10" or 10.5" clutch only. 1968-up bellhousings require driver's side header clearance
- 84 Non-HiPo cars with manual transmission may need header clearance for clutch linkage
- 85 O2 bungs are welded on both collectors.
- 86 Weld on oxygen sensor bungs are provided with the collector reducer kit.
- 87 Requires Doug's LS adapter kit part number SK-100
- 88 Fits two barrel heads, 351C 2V
- 89 Fits four barrel heads, 351C 4V, Boss 351
- 90 Does not fit with C-6 transmission
- 93 Requires removal or modification of locking steering columns if equipped
- 94 Non catalytic converter equipped.
- 95 Reducers available with O2 sensor fitting see catalog page 27
- 96 Installation requires left side A/C bracket part number H7608. 1979 and later vehicles with short compressors can use the stock bracket.
- 97 Installation requires power steering bracket PN H7609.
- 98 Fits with C-6 transmission.
- 99 Does not fit 1971-73 Mustang/Cougar with manual transmission.
- 100 Vehicles with air Injection heads will require grinding of the header flange to fit.
- 102 Replica of early Shelby Tri-Y header.
- 103 Jaguar exhaust systems available separately.
- 104 Some factory heads do not have end bolt holes and should be drilled and tapped to assure proper sealing.
- 105 Original bellhousing frame mounts must be removed.
- 106 Fits Factory Installed Chevrolet 265-350 small block engines
- 107 LS1/LS6 engines require the use of a LS1 oil pan for proper header fit.
- 108 Will fit with 605 power steering box
- 110 Fits 1953 models with transplanted Y block engines when 1954-64 Y block motor mounts are used.
- 111 Long tube headers for Closed Course Competition use only
- 113 Replacement shorty style header which bolts directly to '86 and later factory headpipe
- 116 Replacement shorty style header which bolts directly to '94 and later factory headpipe
- 121 50-State Legal header C.A.R.B. E.O. #D-57-33
- 126 Tri Y design
- 143 Comes with EGR provision
- 155 Shorty header that bolts directly to factory headpipes
- 164 Dog leg exhaust port
- 171 Passenger side header has rear exit
- 172 Over frame design with outside exit and provision for exhaust system hookup, Lakester Style
- 180 Requires a Doug's LS1 adapter plate kit P/N SK100 or equivalent including American Tour Specialties.
- 182 Header bolts directly to E-Rod catalytic converters
- 188 Fits Pro Four Style Tube Chassis
- 192 Header is designed to fit cars using original V-8 pitman arm part number 3719487 not 6 cylinder pitman arm number 3709877. Aftermarket pitman arms must be same configuration as OE for proper header fit.
- 196 Lakewood bell housings require clearancing for header tubes
- 197 Use recommended C5ZZ16A052E "export brace" if shock mount center to center dimension is less than 33 3/4"
- 201 Designed to fit engines with forward sump oil pans
- 202 Will fit OE Suspension & Detroit Speed & Engineering front subframes with rack and pinion steering
- 203 Will not fit models equipped with air injection pump without modification
- 211 Designed to fit with Maval/Unisteer rack and pinion or similar steering systems
- 212 Will not fit manual transmission cars with factory Z bar clutch linkage
- 214 Must use non-shell type motor mounts
- 217 Flat collector design for maximum frame clearance
- 221 Will fit with Borgeson Power Steering Box Conversion
- 222 Fits TCI or equivalent Mustang II Suspension Rack and Pinion equipped cars
- 223 Will fit with AOD Transmissions
- 224 Fits with Danchuck Mount kit #871, 12184, 17756, 17757, & 16339 or equivalent.
- 228 Will not fit GT40 "P" head
- 229 Will fit with T5 Transmission with Cable, Hydraulic, or stock Z bar clutch acutation
- 231 Modification to stock headpipe may be required in some applications
- 232 Fit OE Suspension AND Mustang II style conversions
- 240 Will not fit with AOD Transmission
- 241 Will fit with CPP 500 Steering box
- 244 Will fit with Saginaw Power Steering boxes and most aftermarket equivalent.



Limited One Year Warranty

All Patriot headers and exhaust products are guaranteed, to the original purchaser, to be free of defects in materials and workmanship for one year. This warranty covers the replacement or repair of the product only and does not cover the cost of removal and installation, customer applied aftermarket coatings or any discoloration or corrosion of finished surfaces.

Damage or product failure resulting from collision, improper installation, off-road use, road hazards, the use of exhaust insulating wrap or like products or rust occurring after installation, is not covered by the warranty. The warranty extends only to the original purchaser.

Should a part become defective it should be returned to the original selling retailer and must be accompanied with the sales receipt. If there is no retailer in your area, call the factory for a return authorization and return your part prepaid to the factory for inspection. PerTronix reserves the rights to replace or repair the alleged defective part and return the part freight collect.

www.patriotexhaust.com

***FIT
APPEARANCE
PERFORMANCE
YOU CAN
COUNT ON!***

PATRIOT[®]
Exhaust Products



PerTronix Performance Brands

440 East Arrow Highway
San Dimas, CA 91773
Phone: (909) 599-5955
Fax: (909) 599-6424
www.pertronix.com

Part# PAT2018

