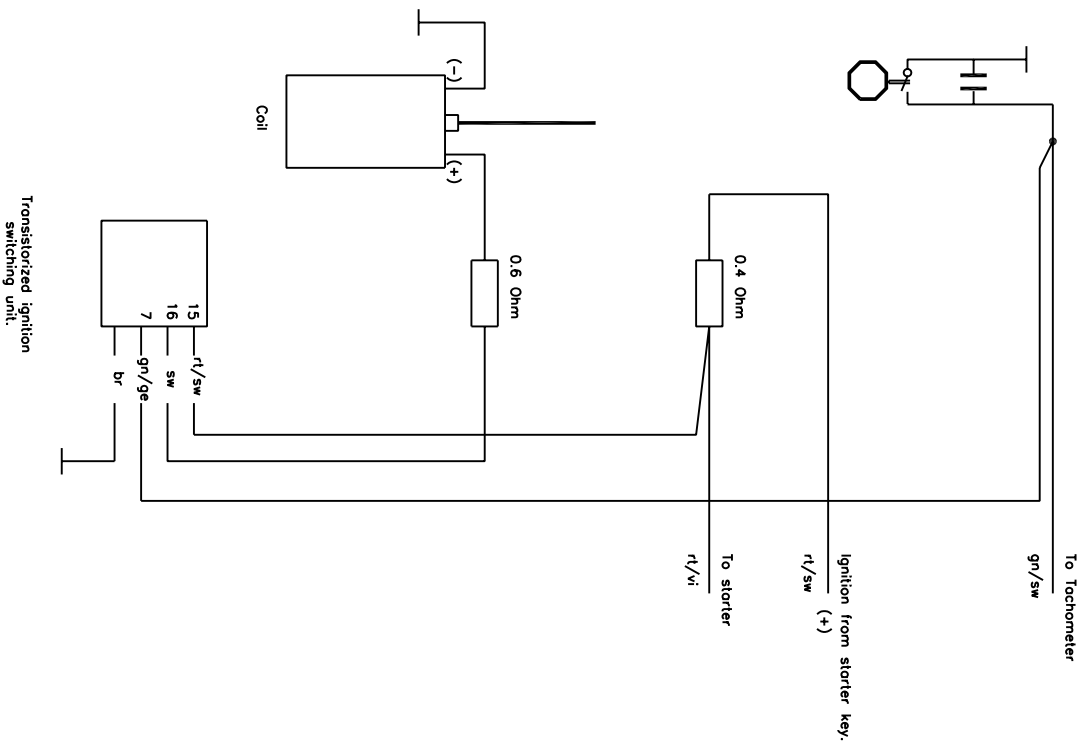


Original



Ignitor

