

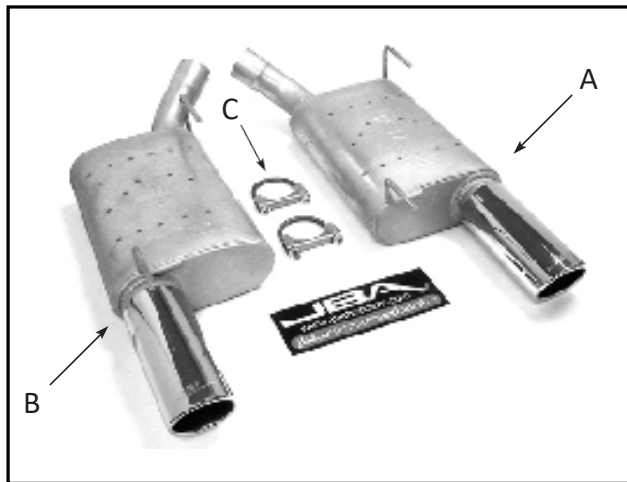
# JBA

## PERFORMANCE EXHAUST

A PerTronix Performance Brand ~ [www.pertronixbrands.com](http://www.pertronixbrands.com) ~ 909 599-5955

### **Installation Instructions & Warranty Information**

40-2627 / 40-2629 ~ 05-10 Mustang GT 4.6L 3V  
Axle Back Exhaust



PerTronix® thanks you for choosing a JBA Performance Exhaust Product. To realize the potential of JBA's engineering and excellent fit, Please Read and Understand these instructions completely prior to starting the installation.

Check that you received all the parts listed on the parts list, if you have any concerns, please contact PerTronix before continuing. Headers will have the part number stamped in the flange.

Work Smart – Work Safe! Most Header and Exhaust Installation are best performed on a lift. If a lift is not available, raise the vehicle and support on quality Jack Stands on level ground. Do not rely on a jack!

#### **⚠ WARNING:**

This product can expose you to chemicals including Lead, Nickel, Cadmium and Chromium which are known to the State of California to cause cancer and birth defects or other reproductive harm. For more information go to [www.P65Warnings.ca.gov](http://www.P65Warnings.ca.gov)

REV. 4 2-4-21 DSL

1. Remove and inventory the JBA Exhaust System.

2. Disconnect the negative battery cable and allow the exhaust system to completely cool.

3. Loosen the clamps attaching the exhaust to the H-pipe. Slide the clamps back to separate the two.



4. Loosen the clamps attaching the muffler assemblies to the intermediate pipes.



5. Wiggle the intermediate pipes out of the muffler pipes.



6. Slide the mufflers forward, out of the hangers. Remove from car.



7. Slide the JBA muffler/tip assembly (A) and (B) hangers in to the factory rubber isolators.



8. Slip the new JBA muffler/tip assemblies (A) and (B) on to the factory intermediate pipes. Make sure to align the key way on the intermediate pipe with the new JBA muffler assembly.



9. Install the supplied 2.5" clamps (C) over the muffler and intermediate pipe slip connection



10. Fit the h-pipe and intermediate pipes together and tighten the factory clamp.



11. Check for proper alignment and adequate clearance around the new JBA tips. Tight all clamps



12. Using a soft cloth, wipe the new JBA tips clean.

13. Reconnect the battery and start the vehicle to check for leaks.

JBA also offers long tube headers, shorty headers, and h-pipes for the 05-10 Mustang. For more information about these and other quality performance products from JBA visit [www.jbaheaders.com](http://www.jbaheaders.com)



JBA Long Tube Headers  
Part No. 6675S



JBA Off-road H-pipe  
Part No. 6675SH



Parts List:

A.	P/S Muffler/Tip Assembly	1
B.	D/S Muffler/Tip Assembly	1
C.	2-1/2" Clamp	2

4

This product is considered a Replacement part per CARB and EPA regulations for emissions compliance and is legal for sale and use on all vehicles in all 50 states when installed according to the Manufacturer's Application Guide and Installation Instructions.

### **JBA LIMITED WARRANTY**

All JBA Headers and Exhaust products are guaranteed, to the original purchaser, to be free of defects in materials and workmanship for one year. This warranty covers the replacement or repair of the product only and does not cover the cost of removal and installation, customer applied aftermarket coatings or any discoloration or corrosion of finished surfaces.

Damage or product failure resulting from collision, improper installation, off-road use, road hazards, the use of exhaust insulating wrap or like products or rust occurring after installation, is not covered by the warranty. The warranty extends only to the original purchaser.

Should a part become defective it should be returned to the original selling retailer and must be accompanied with the sales receipt. If there is no retailer in your area, call the factory for a return authorization and return your part prepaid to the factory for inspection. PerTronix reserves the rights to replace or repair the alleged defective part and return the part freight collect.