



**6-VOLT NEGATIVE GROUND INSTRUCTIONS**

**For Part Number: 1845N6, 1848N6, 1849N6, 1864AN6, 2843N6**

**CAUTION!!! Please read the following important information....**

1. **DO NOT USE SOLID CORE SPARK PLUG WIRE.** Use suppression or carbon type spark plug wires.
2. **Warning!!!** Leaving the ignition switch "ON" with the engine "OFF" for an extended period could result in permanent damage to the Ignitor.
3. 4 & 6 cylinder engines require a minimum of 1.5 ohms of primary resistance. **NOTE:** If your Ignition coil has the recommended primary resistance, remove or bypass all external resistors. Do not remove resistors if the coil primary resistance is lower than 1.5 ohms.
4. Go to [www.pertronix.com](http://www.pertronix.com) for additional information or call Technical Support @ 909-599-5955 for additional assistance.

**PRIOR TO INSTALLATION TURN IGNITION SWITCH OFF OR DISCONNECT THE BATTERY**

**DISASSEMBLY**

1. Remove the distributor cap, and rotor. Do not disconnect spark plug wires. Examine cap and rotor for wear or damage. Replace as needed.
2. Disconnect the point wire from the negative (-) terminal of the coil.
3. Remove the point wire, point, and condenser.
4. The Ignitor does not require any modification to the distributor. Therefore the point, condenser and hardware can be used as backup.
5. Clean all dirt and excess oil from the breaker plate and point cam.

**INSTALLATION**

1. **Note:** Part number 1864AN6 modification required. (See Figure 1).
2. Remove module from adapter plate before proceeding to next step.
3. Place adapter plate over point pivot pin, line up adapter plate to screw hole on breaker plate. Confirm that the adapter plate is flat and fits without modifications and fasten the plate into place using the screw provided.
4. Place the Ignitor module on the adapter plate studs. Secure module to adapter plate with the nuts and lock washers provided.
5. Note: Some magnet sleeves have green tape, **DO NOT REMOVE IT.**
6. Install magnet sleeve over distributor shaft, onto point cam. Rotate sleeve until a slight locating position is felt before applying pressure. With sleeve lined up on point cam, press down firmly insuring sleeve is fully seated. **Note:** Some Ignitor hardware kits include a spacer ring. Use spacer ring only if there's a gap between the magnet sleeve and the rotor.

FLAME-THROWER COIL APPLICATIONS				
Cylinders	Primary Resistance	Recommended Flamethrower Coils		
		Black	Chrome	Epoxy
4 & 6	1.5 ohms	40011	40001	40111

**NOTE: REMOVE OR BYPASS EXTERNAL BALLAST RESISTOR/RESISTANCE WIRE WHEN INSTALLING THE RECOMMENDED FLAME-THROWER COIL.**

**LIMITED WARRANTY**

Pertronix, LLC. Warrants to the original Purchaser of its solid-state ignition system (product) that the Ignitor, magnet assembly and wiring (components) shall be free from defects in material and workmanship for a period of (30) months from the date of purchase.

If within the period of the foregoing warranty Pertronix finds, after inspection, that the product or any component thereof is defective, Pertronix will, at its option, repair such products or component or replace them with identical or similar parts PROVIDED that within such period Purchaser:

1. Promptly Notifies Pertronix, in writing, of such defects.
2. Delivers the defective products product or component to Pertronix (ATTN: Warranty) with proof of purchase date; and
3. Has installed and used the product in a normal and Proper manner, consistent with Pertronix printed instructions.

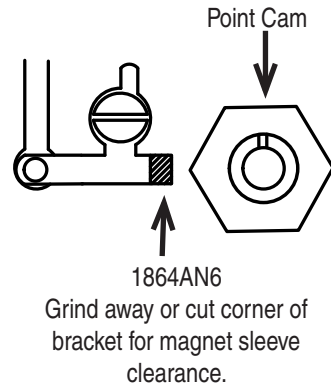
THE FORGOING LIMITED WARRANTY IS EXCLUSIVE AND IN LIEU OF ALL OTHER WARRANTIES, WHETHER EXPRESSED OR IMPLIED, INCLUDING AND IMPLIED WARRANTY OR MERCHANTABILITY OR FITNESS FOR A PURPOSE.

THE FURNISHING OF A REPAIR OR REPLACEMENT COMPONENTS SHALL CONSTITUTE THE SOLE REMEDY OF PURCHASER AND THE SOLE LIABILITY OF PerTronix WHETHER ON WARRANTY, CONTRACT OR FOR NEGLIGENCE, AND IN NO EVENT WILL PerTronix BE LIABLE FOR MONEY DAMAGES WHETHER DIRECT OR CONSEQUENTIAL.



440 E. Arrow Highway, San Dimas, CA. 91773  
909-599-5955 [www.pertronix.com](http://www.pertronix.com)

7. Insert wires through hole in distributor housing, and pull wire grommet into place. Make sure wires do not interfere with any moving part.
8. Replace rotor and distributor cap. Make sure all spark plug wires are securely attached.
9. **WARNING: DO NOT USE SOLID CORE SPARK PLUG WIRE.** Use suppression or carbon type spark plug wires.
10. See *Wiring Instructions*



**Figure 1**

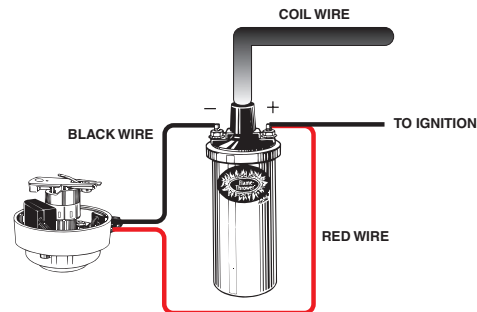
### WIRING INSTRUCTIONS

A BALLAST RESISTOR OR RESISTANCE WIRE MAY OR MAY NOT BE INCLUDED IN THE ORIGINAL EQUIPMENT.

1. Connect the Ignitor black wire to the negative (-) terminal of the ignition coil.
2. For installations that do not use a primary ballast resistor or resistance wire, connect the Ignitor red wire to the positive (+) terminal of the ignition coil. (See Figure A)
3. For installations that use a primary ballast resistor or resistance wire, connect the Ignitor red wire to the ignition switch side of the ballast resistor or resistance wire. (See Figure B).
4. Reconnect battery and make sure all wires are connected.
5. The engine can now be started. Let the engine run for a few minutes and then set the timing in the conventional manner.

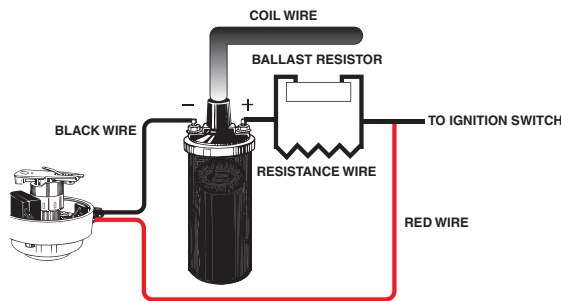
#### FIGURE "A"

USE FIGURE "A" ONLY WHEN INSTALLING THE RECOMMENDED COIL.



#### FIGURE "B"

USE FIGURE "B" WHEN USING THE STOCK COIL WITH THE BALLAST RESISTOR OR RESISTANCE WIRE.



### Ignitor COMMON QUESTIONS AND ANSWERS

Q. What is the first thing I should check if the engine would not start?

A. Make certain all wires are connected securely to the proper terminals.

Q. The engine will not start or runs rough. Are there any tests I can do?

A. Yes, remove the red ignitor wire from the coil. Connect jumper wire from the positive side of the battery to the red ignitor wire just removed from the coil. If the engine starts, then you have a low voltage problem. Remember this is just a test. Not intended for permanent installation.

Q. How can I fix a low voltage problem?

A. First, if you have an external ballast resistor or resistance wire, connect the red ignitor wire to the ignition wire prior to the ballast resistor or resistance wire. Second, if you do not have an external resistor you must connect the ignitor red wire to a 6-volt source that is controlled by the ignition switch.

Q. Should I remove the starter bypass wire?

A. No, the starter bypass wire is needed to provide voltage while starting (cranking).

Q. What type of coil do I need?

A. The ignitor is compatible only with a "points type" coil. 4 & 6 engines require a minimum of 1.5 Ohms of primary resistance.

Q. How do I check my coil for resistance?

A. First you need an ohmmeter. Remove all the wires from the coil. Attach the ohmmeter to both the positive and negative terminals. The reading should be 1.5 Ohms or greater for 4 & 6 cylinder engines. (Your local auto parts store can do this for you if you don't have an ohmmeter)

Q. What do I do if my coil does not have enough resistance?

A. You may purchase and install a ballast resistor from your local auto parts store. You may also choose to purchase a Flamethrower 40,000-volt coil, which provides resistance internally. Note: Many vehicles come with ballast resistor or resistance wire. These applications do not need an additional resistor.

Q. What happens if you leave the ignition switch on when the engine is not running?

A. This can cause your coil to overheat, which may cause permanent damage to the coil and the ignitor.

Q. May I modify the length of the wires?

A. Yes, you can cut the wires to any length your application may require. You may also add length of wire if needed (20-gauge wire). Please make sure all wire splice are clean and connections are secure.

Q. How can I get additional help?

A. Call our tech line (909-599-5955) for further instructions or questions.