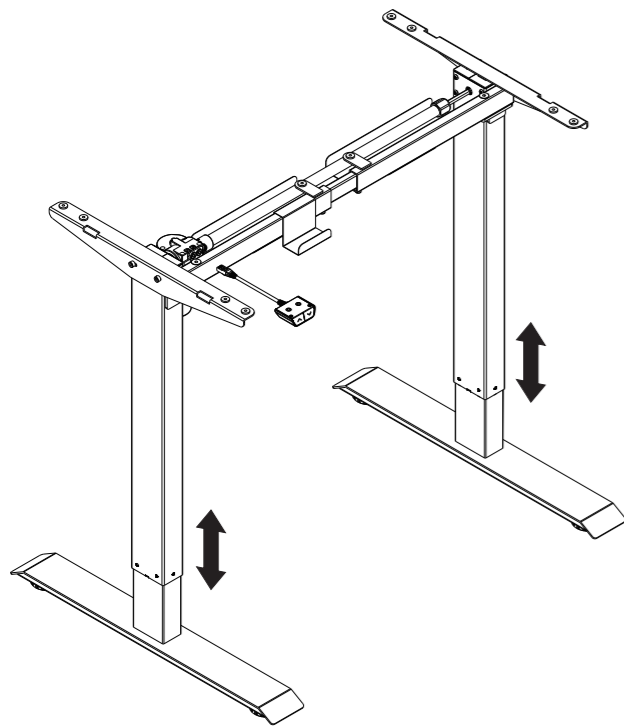


Item No. : **ET114E-N**
Installation guide

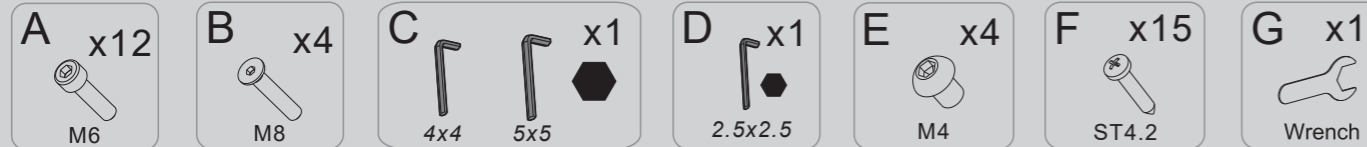


Technical data

Column Number	2
Maximum Load	70KG
Max Speed	25mm/s
Input Voltage	100-240V
Lowest Position	710mm
Highest Position	1210mm
Desktop Size	1000-1600mm 500-800mm
Duty Cycle	10%(Pause 18 minutes for each continuous 2-minute operation)
Applicable Temperature	0~40°C

Accessory list

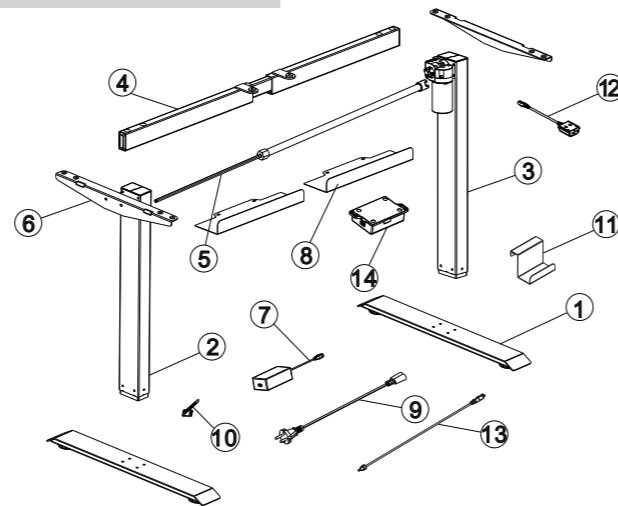
Attention: The drawings below are only for reference which might be slightly different from the actual object, please in kind prevail. Any tools missing or installation problems, please contact the customer service firstly.



Part list

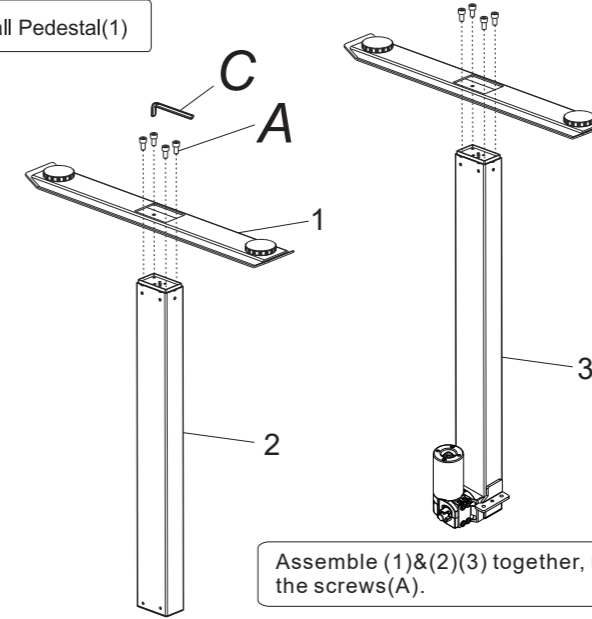
No.	Part	Qty	No.	Part	Qty	No.	Part	Qty
①	Pedestal	2	②	Left Column	1	③	Right Column	1
④	Supporting beam	1	⑤	Transmission rod	1	⑥	Supporting plate	2
⑦	Adapter	1	⑧	Baffle	2	⑨	Power cable	1
⑩	Cable tie	4	⑪	Adaptor holder	1	⑫	Handset	1
⑬	Switch cord	1	⑭	Control Box	1			

Installation instruction



STEP1

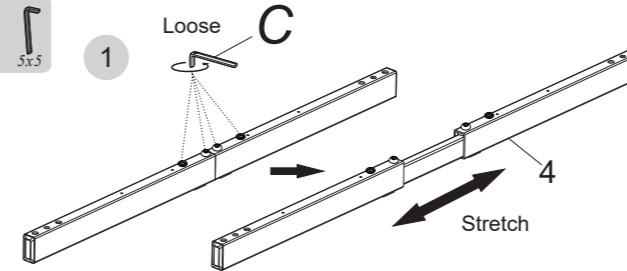
Install Pedestal(1)



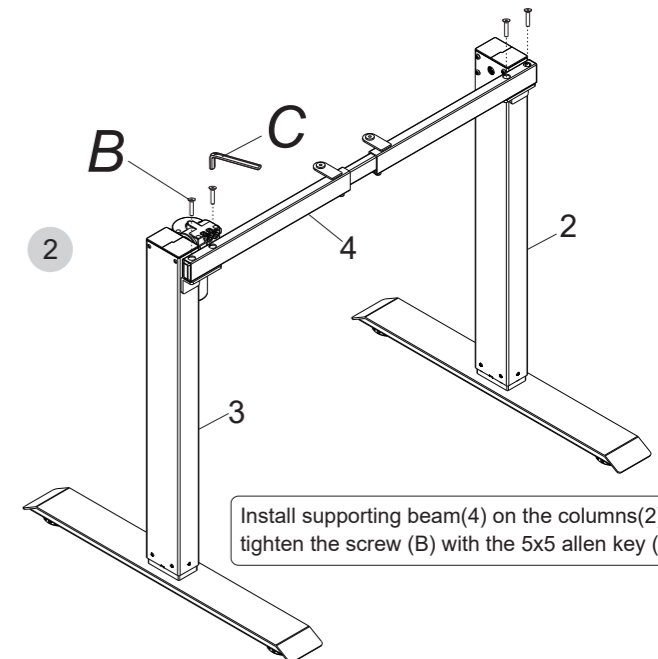
Assemble (1)&(2)(3) together, use the 5x5 allen key (C) to tighten the screws(A).

STEP2

Install Supporting beam(4)



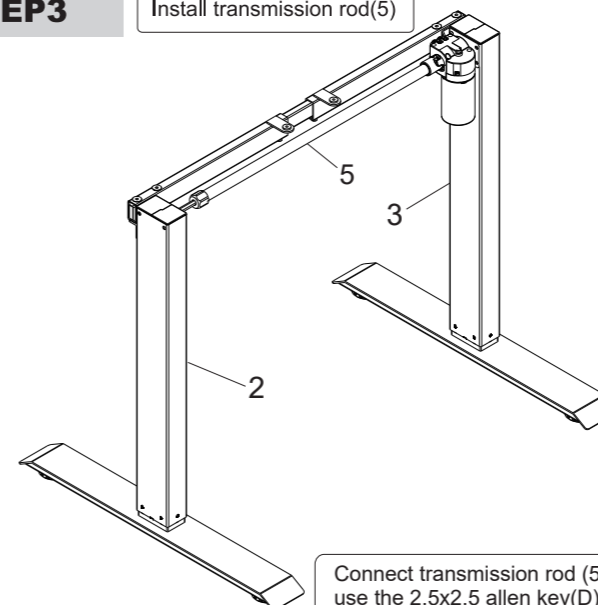
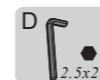
Unscrew the screws on supporting beam(4) with the 4x4 allen key (C), then stretch it (4).



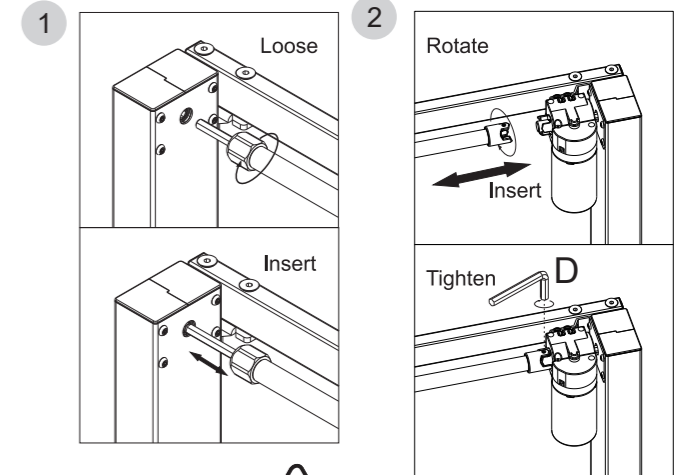
Install supporting beam(4) on the columns(2)(3), tighten the screw (B) with the 5x5 allen key (C).

STEP3

Install transmission rod(5)



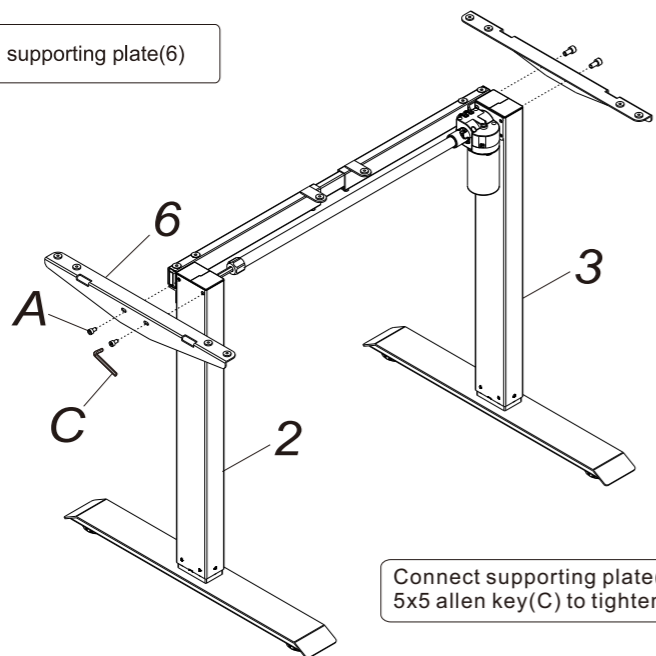
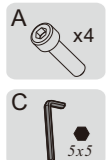
Connect transmission rod (5) with columns (2)(3), and use the 2.5x2.5 allen key(D) to tighten it.



Do not rotate the angle exceed one third of the circle.

STEP4

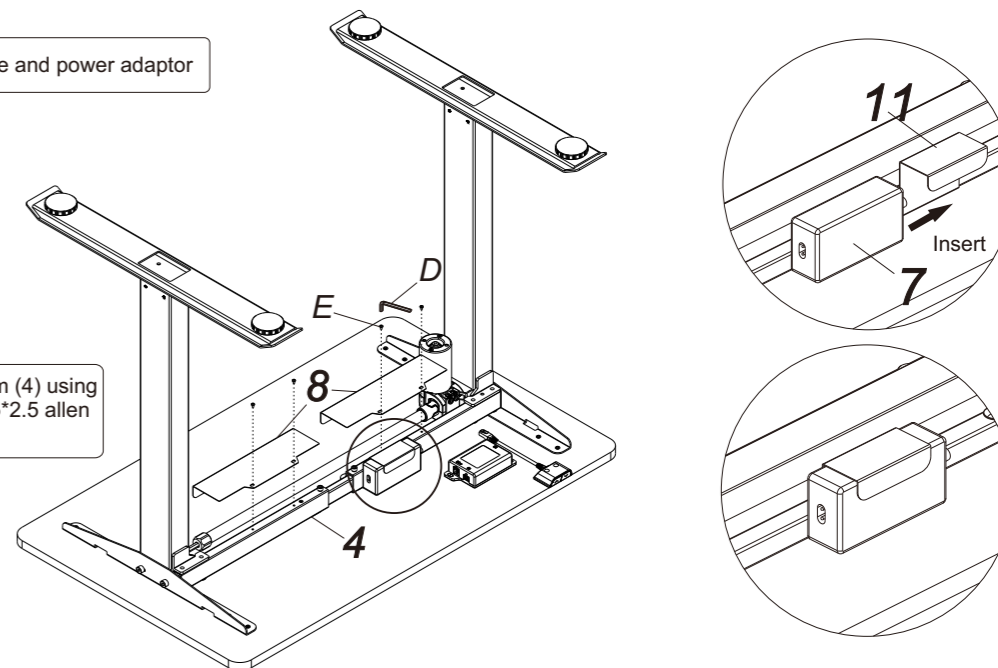
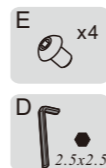
Install supporting plate(6)



Connect supporting plate(6) with columns(2)(3). use the 5x5 allen key(C) to tighten the screws(A).

STEP6-2

Install baffle and power adaptor



Install the baffle (8) to the supporting beam (4) using screws (E), and then tighten it with the 2.5*2.5 allen key (D).

STEP5

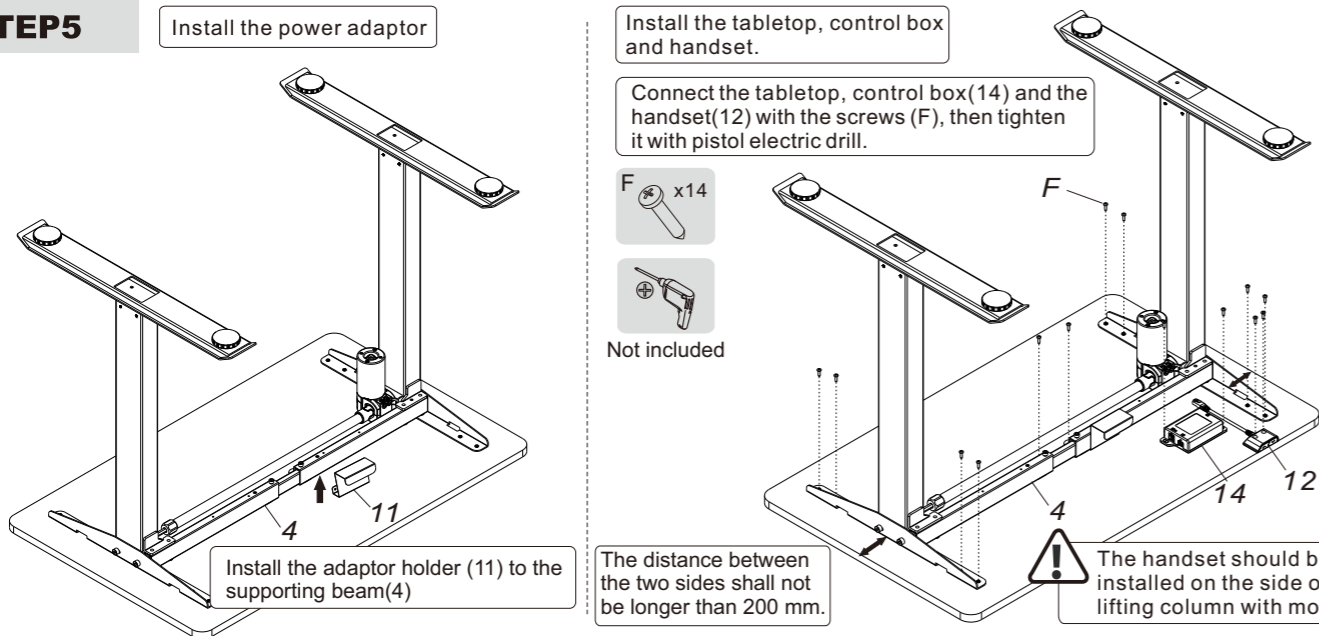
Install the power adaptor

Install the tabletop, control box and handset.

Connect the tabletop, control box(14) and the handset(12) with the screws (F), then tighten it with pistol electric drill.



Not included



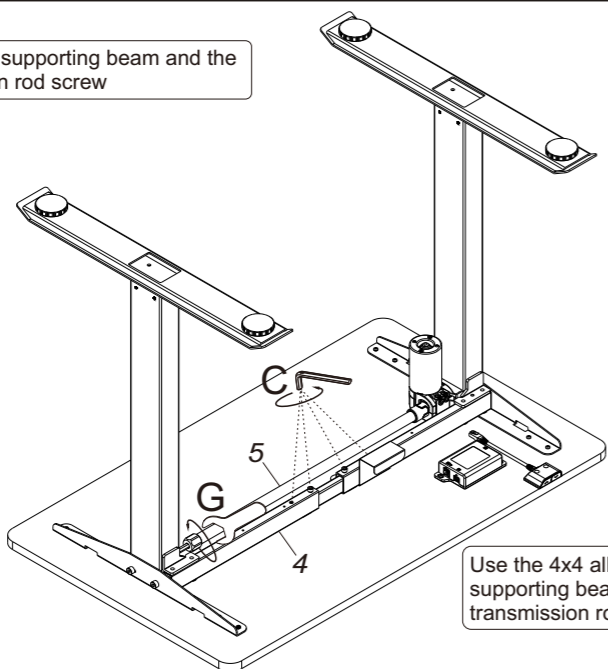
Install the adaptor holder (11) to the supporting beam(4)

The distance between the two sides shall not be longer than 200 mm.

The handset should be installed on the side of the lifting column with motor.

STEP6-1

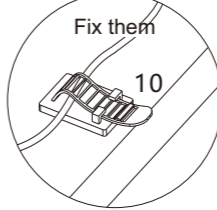
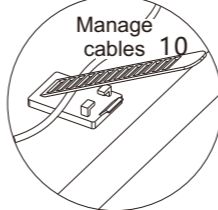
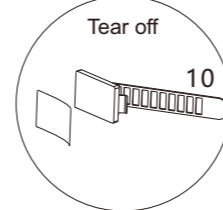
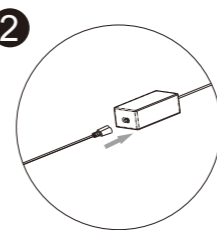
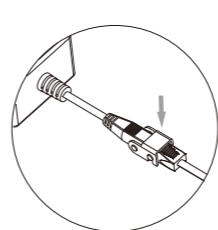
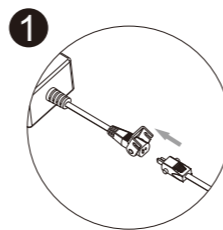
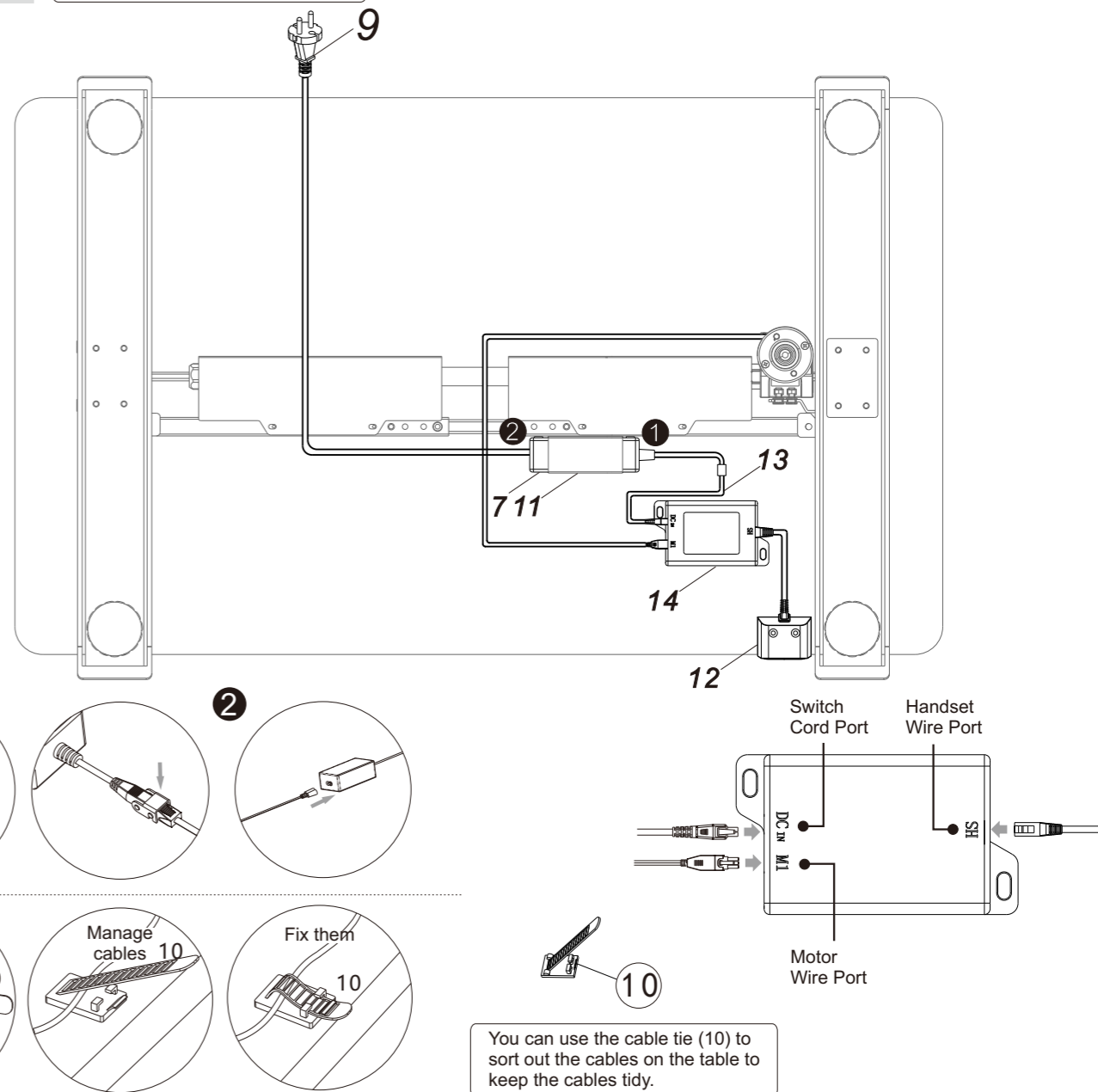
Tighten the supporting beam and the transmission rod screw



Use the 4x4 allen key (C) to tighten the 4 screws on the supporting beam (4), and then tighten the nut on the transmission rod (5) with the wrench (G).

STEP7

Connect all cables to the adaptor (7)



You can use the cable tie (10) to sort out the cables on the table to keep the cables tidy.

Common fault treatment

The following tips will help you detected and eliminate the common fault and error. If the error you meet is not on the list, please contact our customer service.

Error	Method
No response while pressing	Check if all the cables well connected;
Rising in a low speed	Check if overloaded, max loading: 70kg;
The desktop moving towards the opposite direction as ordered	Reset;
The desk moving downwards without any operation	Check if overloaded, max loading: 70kg;
Automatically Self-Reset	Check whether the power wire is still well connected;
Overload Operation	Restart after suspend for 18mins while connecting with power;
Can't reach the min or max height	Reset;

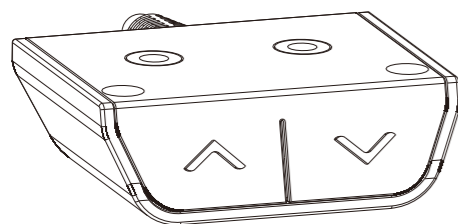


Attention

1. Power supply: AC100V-240V,50/60Hz
2. Service Environment: 0-40℃
3. Unplug the power plug before cleaning, wipe the dust on surface with slight wet dishcloth when cleaning, be careful not to let the drops into the internal parts, not loose the connector.
4. The electric box contains electronic components, metals, plastics, wires etc., so dispose of it in accordance with each country's environmental legislation, not the general household waste.
5. Check carefully to ensure correct and complete assembly before using.
6. Be familiar with all functions and program settings of the product before first use.
7. Children are forbidden to play on the product because of unforeseen action when playing, so any dangerous consequences caused by this improper action will not be on manufacturers.
8. Slight noise caused by the V-ribbed belt or brake system due to structure will not have any effect on the use of the equipment.
9. Corrosive or abrasive materials are forbidden to clean the equipment. Must ensure that the cleaner used will not pollute the environment.
10. This appliance can be used by children aged from 8 years and above and persons with reduced physical, sensory or mental capabilities or lack of experience and knowledge if they have been given supervision or instruction concerning use of the appliance in a safe way and understand the hazards involved. Children shall not play with the appliance.
11. Cleaning and user maintenance shall not be made by children without supervision.
12. If the supply cord is damaged, it must be replaced by the manufacturer, its service agent or a similarly qualified person in order to avoid a hazard.
13. Please make sure there is no hazard sources in your operating environment. e.g., do not litter the tools around. Always be careful to treat the packaging materials in order to avoid any possible danger, e.g. plastic bag may lead to choking hazard to children.
14. Keep the original package of the equipment if necessary in case of the future use in transportation.

How to use handswitch

Button



1. Button introduction: There are two buttons that "▲", "▼".
 (1) "▲": Adjust the desk upwards;
 (2) "▼": Adjust the desk downwards;

- Reset
 - a. When the desk is at the lowest position, long press the "▼" button for 5 seconds to enter the reset mode, the reset will be completed until the lifting system reached bottoms then rebounds to stop.
 - b. When the lifting system fails, release the button, long press the "▼" button, the reset will be completed until the lifting system reached bottoms then rebounds to stop.
- Lifting
 - a. Press "▲" or "▼" button to adjust the height of the desk.
 - b. Hold "▲" or "▼" button for more than 1.2 seconds to enter automatic lifting mode, then press any button to stop lifting (this function is optional, the default software does not have this function).
- Troubleshooting

If there is no response after pressing the "▲" or "▼" button after working for a period of time, please rest for more than 18 minutes before using it again.

Waste disposal



This marking indicates that this product should not be disposed with other household wastes. To prevent possible harm to the environment or human health from uncontrolled waste disposal, recycle it responsibly to promote the sustainable reuse of material resources. To return your used device, please use the return and collection systems or contact the retailer where the product was purchased. They can take this product for environmental safe recycling.

