

Models:

RVXP RVXP-H
RVXPG RVXPG-H
RVXPE RVXPE-H

Rocket Vac

extra performance

XP

Parts Manual and Owners Guide



Rotoblic

Rocket Vac XP

Unpacking and Inspection Instructions

Carefully unpack and inspect your Rocket Vac XP for shipping damage. Each unit has been tested and thoroughly inspected before shipment.

Operator Responsibility

Do not use this machine prior to reading this manual carefully.

The operator is responsible for taking care of the daily maintenance and inspection of the machine to keep it in good working condition.

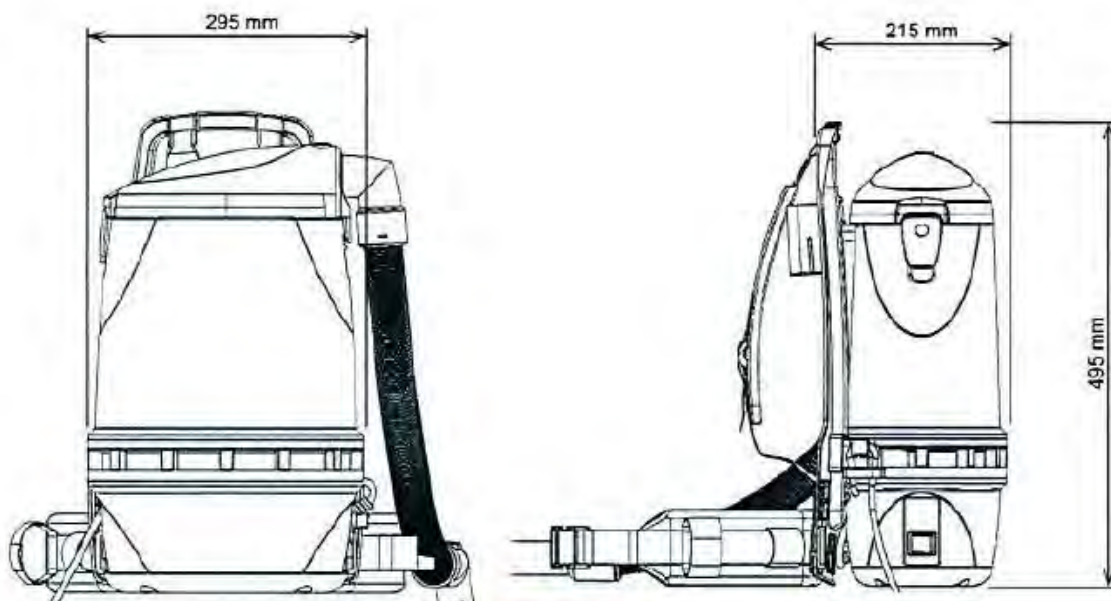
Contents of Box

- 1 x Rocket Vac XP
- 1 x Wand (2 x pieces)
- 1 x Vacuum Hose
- 1 x Ezi Glide tool
- 1 x Crevice Tool
- 1 x Pack of 5 paper bags
- 1 x Parts Manual and Owners Guide

This manual provides the necessary operating and preventative maintenance instructions. Operators must read and understand this manual before operating or servicing this machine.

This machine was designed to give you excellent performance and efficiency. For best results and minimal cost please follow the general guidelines below:

- Operate the machine with reasonable care.
- Follow the manufacturer's suggested maintenance instructions as provided in this manual.
- Use original manufacturer's parts.



Contents

Unpacking, Operator Responsibility, Contents of Box	Page 1
Safety Instructions	Page 3
Machine Overview and Assembly	Page 4, 5, 6
Wearing and Adjustment	Page 7
Warnings	Page 7
Safety and Maintenance Checks	Page 8
Operation - Using and Working	Page 9
Technical Specifications	Page 10
Filtration Efficiency Chart	Page 10
Parts Guide	Page 11
Exploded Diagram	Page 12
Electrical Circuit	Page 12
Trouble Shooting	Page 13
Warranty	Page 14
Contact Details	Back Page

Safety Instructions

Read this manual before using the back pack and always follow the Safety and Maintenance instructions.

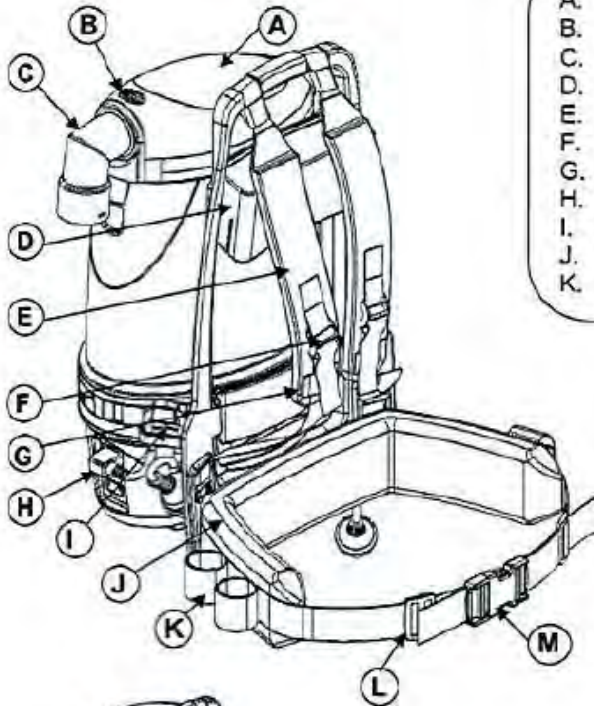
- Do not leave the appliance when plugged in. Unplug from the power point when not in use and before servicing.
- Do not use outdoors or on wet surfaces.
- This appliance is not intended for use by persons (including children) with reduced physical, sensory or mental capabilities, or lack of experience and knowledge, unless they have been given supervision or instruction concerning use of the appliance by a person responsible for their safety.
- Children should be supervised to ensure that they do not play with the appliance.
- Use only as described in this manual. Use only manufacturer's recommended attachments.
- Do not use with damaged cord or plug. If appliance is not working as it should, has been dropped, damaged, left outdoors, or dropped into water, return it to a service centre.
- Do not pull or carry by cord, use cord as a handle, close a door on cord, or pull cord around sharp edges or corners. Do not run appliance over cord. Keep cord away from heated surfaces.
- If the supply cord is damaged, it must be replaced by the manufacturer or its service agent or a similarly qualified person in order to avoid a hazard.
- Do not unplug by pulling on cord. To unplug, grasp the plug, not the cord.
- Do not handle plug or appliance with wet hands.
- Do not put any object into openings. Do not use with any opening blocked.
- Keep hair, loose clothing, fingers and all parts of body away from openings and moving parts.
- Turn off all controls before unplugging.
- Use extra care when cleaning on stairs.
- Do not use to pick up flammable or combustible liquids, such as gasoline, or use in areas where they may be present.



Europe Only: This marking indicates that this product should not be disposed with other household wastes throughout the EU. To prevent possible harm to the environment or human health from uncontrolled waste disposal, recycle it responsibly to promote the sustainable reuse of material resources. To return your used device, please use the return and collection systems or contact the retailer where the product was purchased. They can take this product for environmental safe recycling.

SAVE THESE INSTRUCTIONS

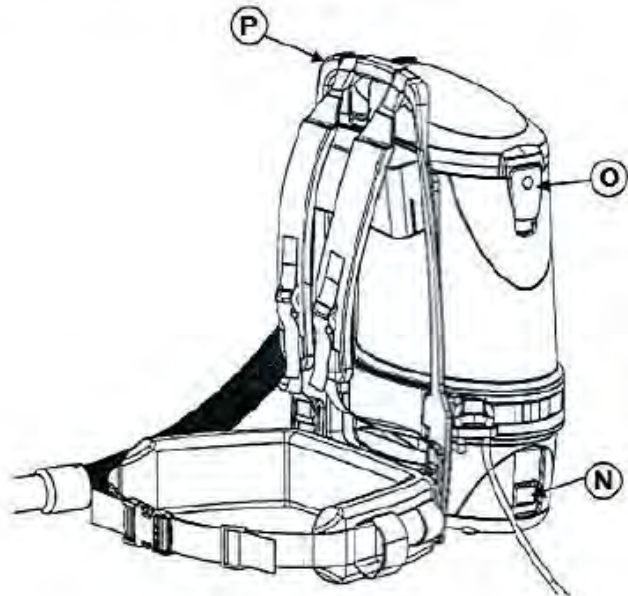
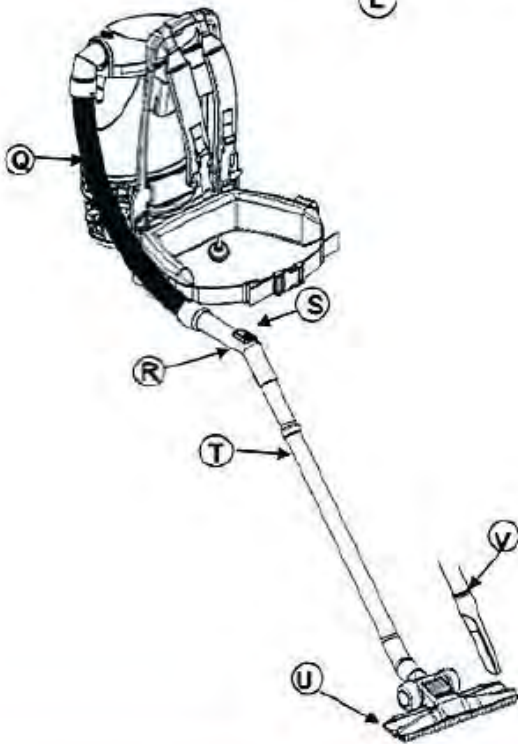
Machine Overview and Assembly



- | | |
|--------------------------|-------------------------|
| A. Lid | L. Belt Adjuster |
| B. Hose Release Button | M. Side Release Buckle |
| C. Inlet Elbow | N. On/Off Switch |
| D. Back Pad | O. Magnetic Latch |
| E. Shoulder Pad | P. Frame Carry Handle |
| F. Shoulder Buckle | Q. Hose Inlet |
| G. Shoulder Strap Guides | R. Bent End Piece |
| H. Inlet Cord and Socket | S. Air Regulator (BEP) |
| I. Cord Restraint | T. Wand (2 Piece) |
| J. Waist Pad | U. Ezi-glide Floor Tool |
| K. Tool Holders | V. Crevice Tool |

Assembly Instructions

1. Connect 2 piece Wand (T)
2. Connect Wand (T) to Bent End Piece (R)
3. Connect Inlet Elbow (C) to Lid (A)
4. Switch on at ON/OFF button (N)



Machine Assembly

Hose – To Remove

Press Hose Release Button, and gently pull Inlet Elbow from Lid.

Hose - To Fit

Insert Inlet Elbow into lid opening.



Lid – To Remove

Lift Magnetic Latch opposite side of inlet, rotate Lid away from canister body.

Lid – To Fit

Rotate onto canister body fitting inlet side first, ensuring accurate alignment. Magnetic latch will engage automatically.

NOTE: The lid can be fitted for either left or right operation.



Cloth Filter Bag – To Remove

Lift from top of canister using bag rim.

Filter Bag – To Fit

Place over canister rim and press firmly ensuring bag is level.



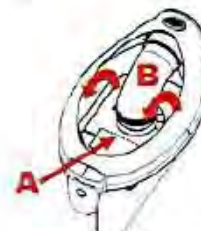
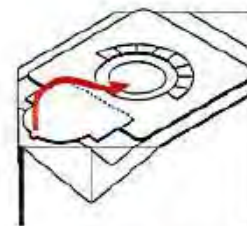
Paper Bag Filter – Removal & Disposal

Ease cardboard retainer off the groove on the Inlet Spout. Fold cardboard tab over bag inlet hole to prevent spillage. Dispose into garbage bin.

NOTE: The paper bag is manufactured using bio-degradable material.

Paper Bag – To Fit

Align paper bag cardboard, engage non-serrated portion of cardboard (A) into Inlet Spout groove. Ease the remaining serrated portion of cardboard (B) onto groove. Keep corners of paper folded down to avoid entrapment under lid edge.



Machine Assembly

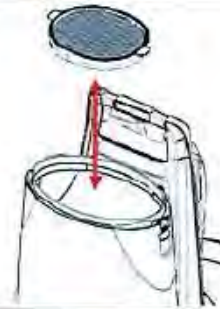
VFD Filter – To Remove

Use the Panel Filter flaps to lift from canister base. Remove with care from the canister.

VFD Filter – To Fit

Insert into canister base filter recess. Press firmly around the edge of the filter to fit into position.

NOTE: Do not press on filter media.

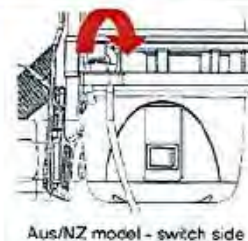


Cord – To Fit

For safety in reducing tripping hazards, and for unplugging, Fit the cord onto extension cord restraints on both sides of machine as shown.



Aus/NZ model- power inlet side



Aus/NZ model - switch side



Euro model - power inlet side

Air Regulator – To Adjust

Slide forward to close, this provides more air at the nozzle.
Slide back for less air, this is to be used when vacuuming loose materials eg. curtains.



Attachments – To Fit or Remove.

Twist and pull to disassemble. Attach at any point from Bent End Piece to Wand end, to suit application.



Rocket Vac XP

Machine Assembly

Tool Holder – To Adjust

Size the adjustment loop before wearing to suit the tool to be inserted.



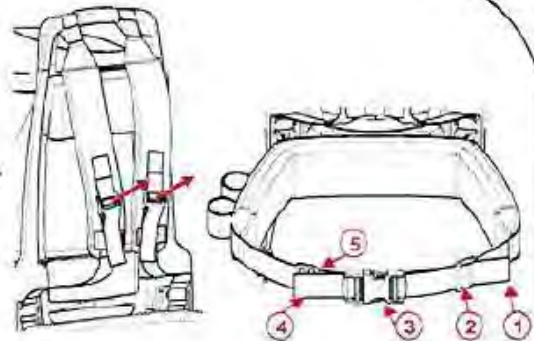
Adjustment and Wearing

Adjusting shoulder and waist pads

Shoulder Pad - to loosen Pull away from the Shoulder Pad, this releases the Strap from the Buckle.

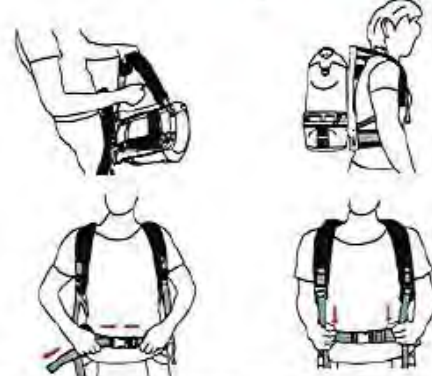
Waist Pad - Preliminary Adjustment

- Feed free end of Strap 1 through belt adjuster 2 to release.
- Feed strap 1 through Buckle 3 to release.
- Adjust Strap 1, Buckle 3, Belt Adjuster 2, to fit approx 1/2 girth of user.
- Belt Adjuster 5 gathers loose end of Strap 4.
- Pull free end of Strap 4 for final adjustment.



Final Fitting

- Loosen Shoulder Pad and Waist Pad. Lift machine onto one shoulder by the shoulder strap. Insert opposite arm through the shoulder strap by which the machine is lifted. Slide other arm through the remaining strap.
- Position the Waist Pad into the 'small' of your back.
- Clip buckle together and tighten Waist Pad until secure and comfortable.
- Pull down on both ends of the shoulder strap until the Back Pad contacts the back.



Warnings

Do Not

- Do not vacuum wet surfaces, damp areas or suck up water.
- Do not use machine if water has been picked up by the vacuum system without an electrical inspection by a qualified person.
- Do not vacuum anything that is burning or smoking such as cigarettes, matches or hot ashes.
- Do not use the machine in areas where flammable or combustible liquids, vapours or gas are present.
- Do not operate near explosive materials such as solvents, thinners, fuels or grain dust.



Safety and Maintenance Checks

Cloth Bag Filter

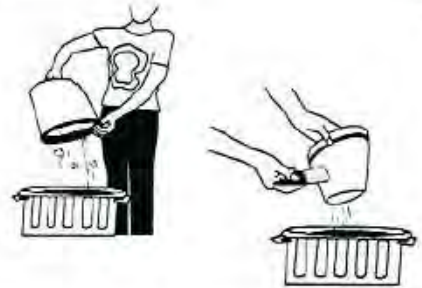
Regularly

Remove Cloth Filter Bag and empty.

Occasionally

Turn bag inside out and remove fine dust coating using a soft banister brush or vacuum.

Note: The filter material has been treated with a moisture repelling agent for improved dust release. There is no requirement for washing or dry cleaning the Filter Bag.



VFD Filter

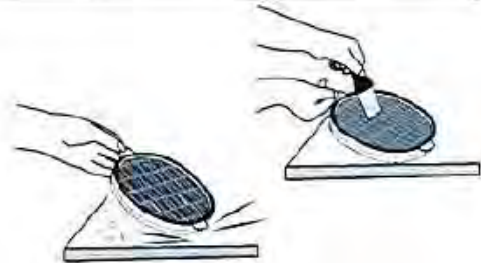
Regularly

Remove VFD Filter and tap out dust.

Occasionally

Brush surface using a soft nylon brush or wash filter in neutral cleaner solution then rinse in clean water.

Note: Ensure filter is completely dry before



HEPA Filter (where fitted)

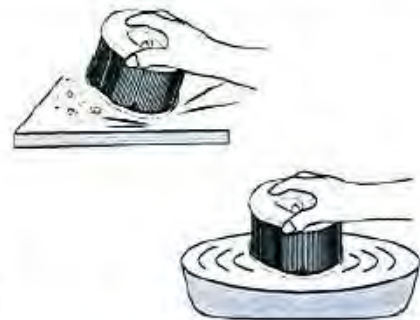
Regularly

Remove HEPA filter and tap out dust.

Occasionally

Wash in neutral cleaner solution using swirling action only, then rinse in clean water.

Note: The filter material has been treated with a soft polymer moisture repelling agent, do not touch media surface by hand or any other mechanical device as this can damage the media and impair the filtration quality. Ensure filter is completely dry before recommencing vacuuming.



As Needed

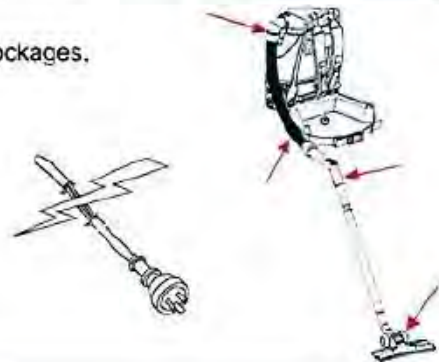
Check Inlet Elbow, Hose, Bent End Piece and Floor Tool for blockages.

Regularly

Check cord for cuts, exposed wire, abrasion and twisting. Replace cord only with original manufacturer's part.

Note:

Always unplug cord from power point when not in use.
Gather the cord by winding from the machine end.
Drape cord over handle for storage.



Operation

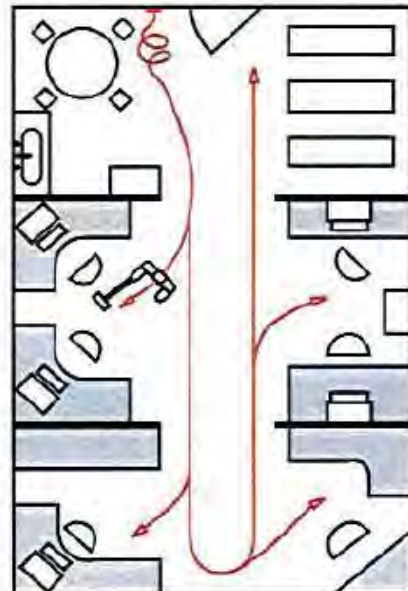
Using

- For comfortable operation, stand upright with a relaxed posture, arms hanging loosely to the side.
- Maintaining a straight wrist, hold the hand grip section of the wand with one hand, parallel to the floor.
- When vacuuming under office desks, the reach of the wand is sufficient to avoid bending at the waist.
- When vacuuming under lower profile objects or when picking up items off the floor, bend the knees and maintain a straight back.
- When turning, do not twist at the waist. Turn using your feet.



Working

- Plan the work path based on location of the power point, room/furniture layout, and entrance and exit points.
- Commence vacuuming using a systematic approach working one half of the area first, away from the power point, and then the other half of the area, returning back to the start.
- Ensure that the power cord is clear of feet to reduce likelihood of tripping.



TECHNICAL SPECIFICATIONS

	Standard	HEPA
Current max.	5 Amps	5 Amps
Maximum motor power	1300 W	1300 W
Working width	275 mm	275 mm
Weight (exc. Electrical cord and attachments)	4.2 kg	4.4 kg
Noise level average (at 3 ft from surface)	72 dB _A	70 dB _A
Voltage/Frequency	220-240 V / 50-60 Hz	220-240 V / 50-60 Hz
Thermal Control (Auto Reset)	110C	110C
Air Flow (at nozzle)	30 l/s	30 l/s
Dust Bag	5 l	4 l
Filtration	Refer chart	99.97% @ 0.3µm
Cord	18m	18m
Protection	Class 1	Class 1
Suction	21+/-1 kPa	21+/-1 kPa

FILTRATION EFFICIENCY CHART for standard XP

Test Dust consists of particles between 0-80 microns as per Standard EN 60312

Individual Filter Efficiency		System Filtration Efficiency
99.76% VFD Filter	↑	99.9995% VFD Filter + Cloth Bag + Paper Bag
96.90% Cloth Bag	↑	99.78% Cloth Bag + Paper Bag
93.20% Paper Bag	↑	93.20% Paper Bag

Rocket Vac XP

Parts Guide

No.	Part Name	Part No.
1	Lid Assy RVXP	13717002
2	Elbow Inlet	13640001
3	Hose BEP Assy Ø32	13677002
4	Hose Ø32 x 1.2m Blk	13670006
4a	Ring Click Blk	13770003
4b	Fitting Screwed Hose HUL Ø32	13650002
5	Elbow BEP Ø32 Blk	13640002
6	Wand Ø32 x 550mm Cr. Steel	13820011
7	Tool Floor Ezi-Glide	13757001
8	Tool Crevice Ø32 Blk	13750001
9	Filter HEPA & Fastener Assy	13657004
10	Label Maintenance	13710011
11	Pad Back Blk	13750003
12	Buckle Adjuster 38	13610006
13	Pad Shoulder Blk L & R Set	13750004
14	Buckle Side Release 38	13610005
15	Buckle Shoulder LL 38	13610007
16	Pad Waist Blk	13750005
17	Screw WN1412 KB50 x 16 ZP	13780003
18	Frame RVXP	13650001
19	Cord Ext'n 18m RVXP	13620010
19a	Cord Ext'n 18m RVXP with RCD (Guardian models)	13627011
19b	Cord EU Assy (European models)	13627001
20	Insulation End Cap (set)	13680003
21	Clamp Motor	13620005

No.	Part Name	Part No.
22	Motor Vacuum Harbin 240V	13727002
23	Baffle Motor Housing	13610004
24	Seal Motor Harbin	13780006
25	Screw WN1412 KB40 x 12 ZP	13780002
26	Base Upper Canister	13610003
27	Seal Canister Housing	13780004
28	Label RVXP	13710009
29	Housing Upper Canister Assy	13677001
30	Filter VFD Assy	13657003
31	Filter Bag Assy 5L (standard)	13657001
31a	Filter Bag Assy 4L (HEPA)	13657002
32	Filter Paper Bag 5/Pkt (Standard)	13657006
32a	Filter Paper Bag 5/Pkt (HEPA)	13657007
33	Socket Inlet C14	13780007
34	Socket Outlet C18	13780008
35	Insulation Motor Housing End	13680001
36	Housing Lower Canister In. Out and Sw	13670004
37	Cap Motor Housing RVXP	13620004
38	Insulation Motor Housing Side (set)	13680002
39	Cord Pig Tail 335mm RVXP	13620009
40	Wire N 240V Switch-PO RVXP	13820003
41	Wire A 240V Switch-PO RVXP	13820004
42	Switch Rocker 2HP	13780014
43	Wire N 240V Inlet-Switch RVXP	13820002
44	Wire-Thermostat Assy RVXP	13827001

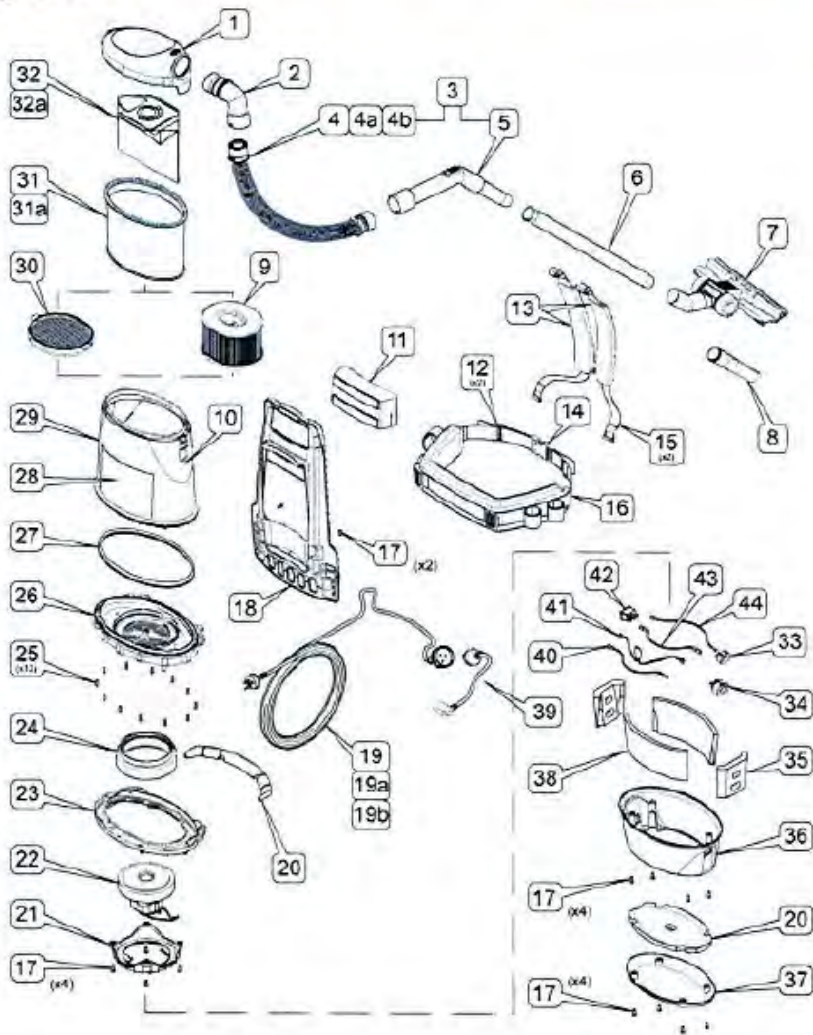
Optional Tool Accessories

Part No	Description
13925046	Power Head PB4
13797002	Turbo Head
13806140	Dual Round Brush and Upholstery Tool

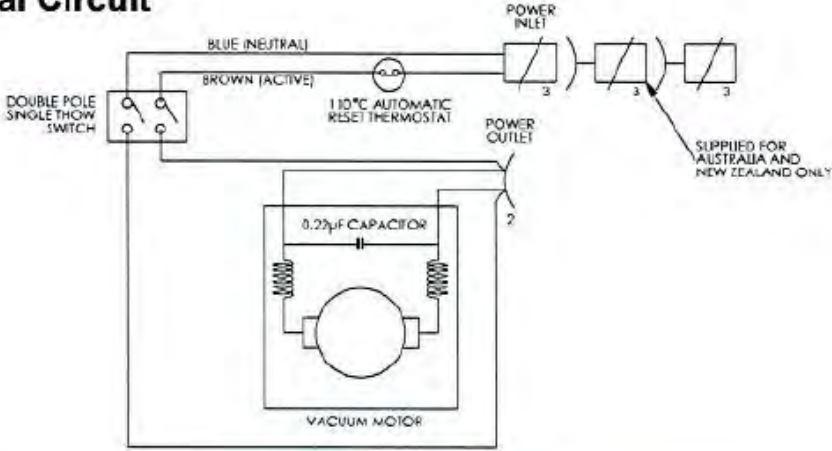
Rocket Vac XP Models

Model	Description	Part No
RVXP	Rocket Vac XP Standard	12640000
RVXP-H	Rocket Vac XP with HEPA	12650000
RVXPG	Rocket Vac XP Guardian	12680000
RVXPG-H	Rocket Vac XP Guardian with HEPA	12690000
RVXPE	Rocket Vac XP Euro	12720000
RVXPE-H	Rocket Vac XP Euro with HEPA	12730000

Exploded Diagram



Electrical Circuit



Rocket Vac XP - Pilot

Model 12760000 Rocket Vac XP – Pilot is suitable for use on aircraft with power supplied at 100 -120 V a.c. 400 Hz. The alternating supply current is converted in the appliance to direct current.

Rocket Vac XP – Pilot is rated 1400 W and is fitted with a 1200 W vacuum motor. The electronic circuit is protected with a 10 Amp rated slow blow / anti-surge fuse. Three fuses are supplied with each machine.

The Rocket Vac XP – Pilot is supplied with a 13 Amp rated USA cord and USA plug, suitable for connection into socket outlets on aircraft. Fitting the cord is identical to those instructions provided on Page 6 of this manual illustrated for Euro model.

Warning

The appliance is fitted with a thermal protective device. This is a safety feature to protect the appliance from overheating. If the appliance should suddenly stop and will not start, turn off the main switch and pull the plug off the socket outlet. Do not operate the appliance for at least 30 minutes.

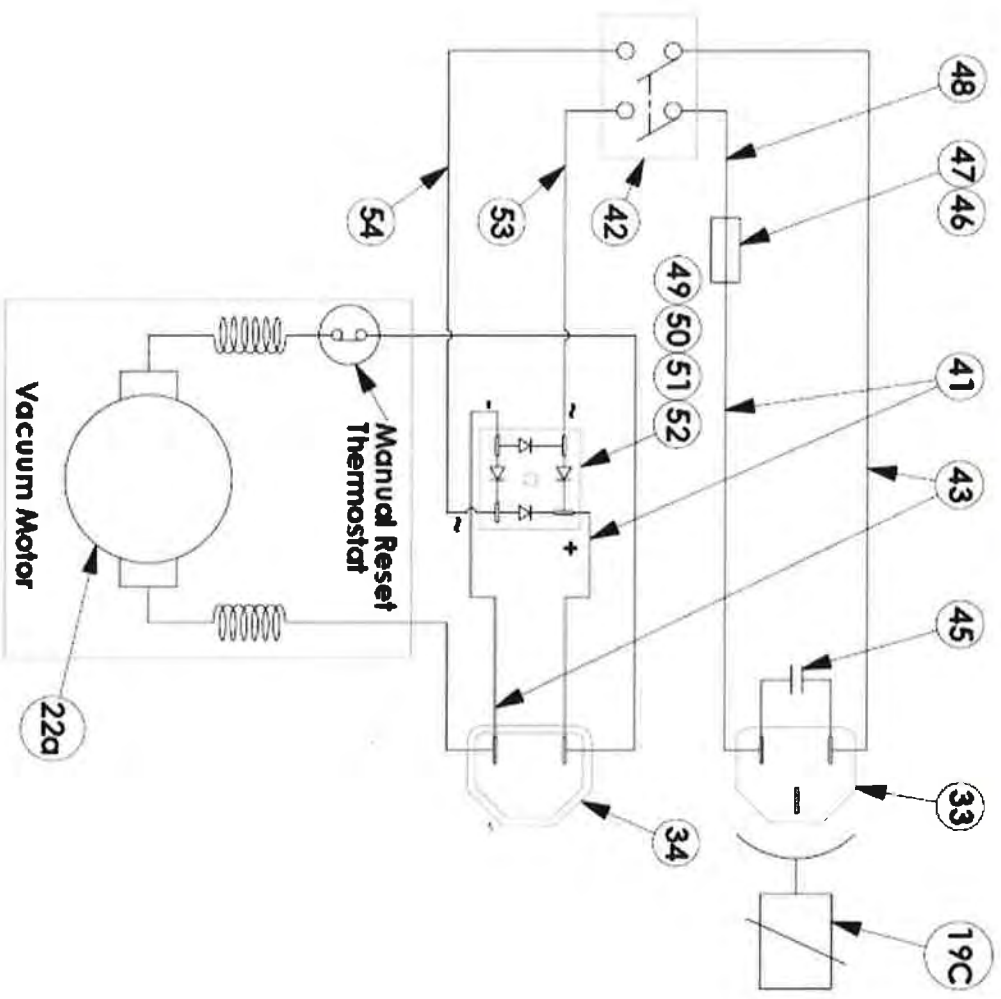
Parts Guide

No.	Part Name	Part No.
19c	Cord USA 15m	13620008
22a	Motor Vacuum Harbin 120V	13727001
33	Socket Inlet C14	13780007
34	Socket Outlet C18	13780008
41	Wire A 240V Switch-PO RVXP	13820004
42	Switch Rocker 2HP	13780014
43	Wire N 240V Inlet-Switch RVXP	13820002
45	Capacitor 0.47µF Assy	13627000
46	Fuse 10A Anti-surge	13806365

No.	Part Name	Part No.
47	Fuse Holder 10A	13806364
48	Wire A Switch-Fuse 70L RVXP-Pilot	13827002
49	Bridge Rectifier	13806185
50	Screw M5 x 40L Nylon	13780017
51	Washer Flat Nylon	13830180
52	Nut M5 Hex Nylon	13830179
53	Wire A Switch-Rectify 90L RVXP-Pilot	13827003
54	Wire N Switch-Rectify 90L RVXP-Pilot	13827004

Rocket Vac XP - Pilot

Electrical Circuit



Trouble Shooting

Always switch off Rocket Vac and unplug from wall prior to correcting any problems. If you are unable to rectify the problem, contact your local service agent.

Problem: Machine not working	
Cause	No power at power point.
Solution	Connect machine to a functional power point.
Cause	Power cord not plugged into power point or machine.
Solution	Check plug is firmly plugged into a power point and machine.
Cause	Machine or power supply not switched on.
Solution	Turn on/off switch to ON (I). Turn power supply outlet on.
Cause	Machine has switched off due to overheating.
Solution	Switch off and unplug machine. Check for any blockages in wand, floor tool and inlets. Ensure filters and paper and cloth bags are clean. Wait for 30 minutes and switch machine back on. If machine does not start up, contact service agent.
Problem: Poor or No Suction	
Cause	Blockage.
Solution	Turn off machine and unplug. Check wand, suction hose, floor tool, elbow inlets for obstructions and remove.
Cause	Paper or Cloth Filter Bags are full.
Solution	Check paper bag and if full, remove and replace. Check Cloth Filter Bag, turn inside out and brush with a soft banister brush before replacing.
Cause	Hose not installed properly or damaged.
Solution	Check hose connection and ensure it is locked in. Replace if damaged.
Cause	VFD Filter is blocked.
Solution	Remove VFD Filter and tap gently to remove excess dust before replacing.
Cause	Air Regulator needs adjustment.
Solution	Adjust Air Regulator on hose to obtain suction required.
Problem: Backpack is Uncomfortable to Wear	
Cause	Backpack is not fitted correctly to your body.
Solution	Adjust waist bands and shoulder straps as described on page 7 to ensure correct fit.
Cause	Pads or straps are worn.
Solution	Replace padding/straps.

General Warranty Policy

Hako Australia Pty Limited (Hako Australia) warrants this machine and its components, which are wholly of their manufacturer, against faulty material and workmanship, for a period of one (1) year, from the date of purchase to the original user, subject to the following conditions:

- This warranty does not apply to normal wear and tear items whose life is dependent on their use and care, such as switches, electrical cords, carbon brushes, brushes, pads, floor tools, motor bearings, filters, hoses, seals, mechanical fasteners and power heads.
- No warranty shall apply to any machine or component altered, abused, neglected, repaired or modified in any way outside our factory or Authorised Dealer service outlet.
- The placing of any non genuine approved part, not manufactured or sold by Hako Australia or authorised by it, shall null and void any warranty.
- Authorisation by Hako Australia management must be gained before equipment or parts are returned under warranty.
- Hako Australia shall not in any event be liable for any contingent loss or damage to property whatsoever.
- All claims must be made on an official warranty claim form.
- Warranty claims and credits will not be actioned unless faulty part/machine is returned to Hako Australia for assessment without an official warranty claim form.
- Hako Australia reserves the right to repair or replace parts claimed as faulty at its discretion and subject to examination at its factory.
- Warranty repairs can only be carried out by an Hako Australia Authorised Dealer or repairer.
- Hako Australia will accept the labour content of a warranty claim for a one (1) year period, when a machine is sold by an Authorised Dealer.
- The user is responsible to return the machine for repair to an authorised Hako Australia repairer.

Rotobic



Hako Australia Pty Limited

ABN 43 002 858 069

6 Pike Street Rydalmere NSW 2116 Australia
PO Box 360 Rydalmere BC NSW 1701 Australia

p +61 2 9684 2433

f +61 2 9684 2278

Freecall within Australia: 1800 257 221

www.hakoaustralia.com.au

Authorised Dealer

