

Print

Create
Excel

PARTS LIST

MX27E

CONTENTS

1. PARTS KIT.....	1
2. MAIN BODY	3
3. GEAR CASE.....	5
4. ENGINE	7
5. RECOIL STARTER.....	11
6. CARBURETOR, FUEL TANK	13
7. ACCESSORIES	15

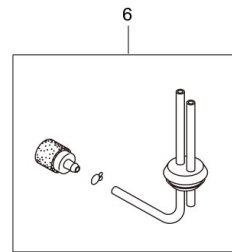
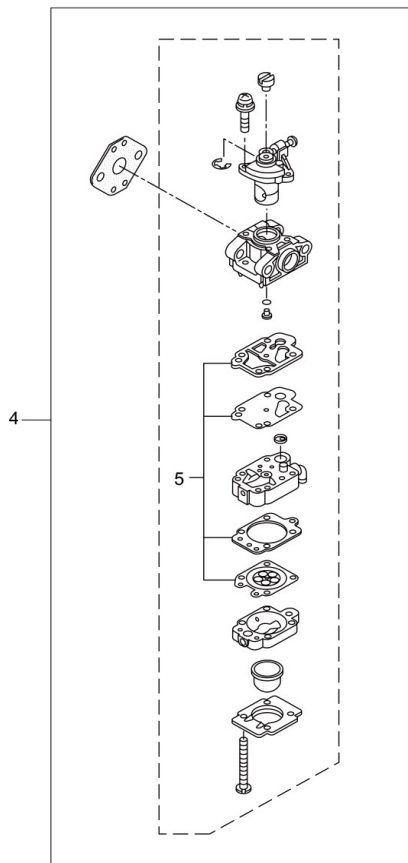
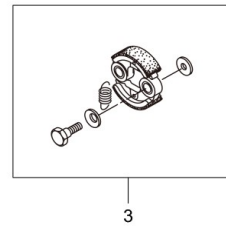
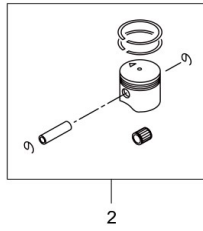
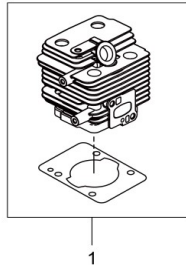
2020. 12.



MARUYAMA

P/N 524716-1

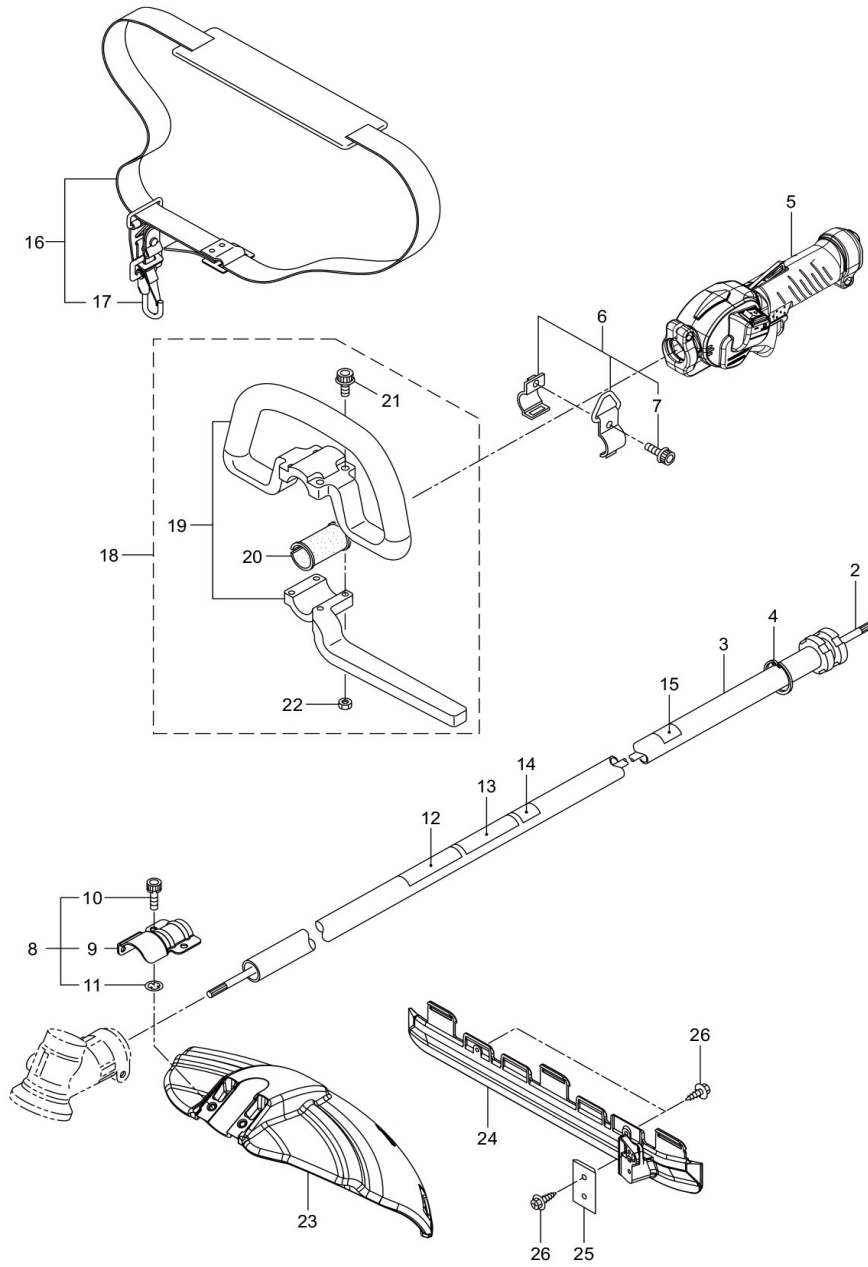
MX27E
1. PARTS KIT



- 1 -

Status	Position	Parts Number	Parts Name	Unit Quantity	Set Unit Quantity	Specification	Remarks	Maker code
	1	247688	CYLINDER KIT	1		EE262/EE263		
	2	247689	PISTON KIT	1		EE262/EE263		
	3	246924	CLUTCH KIT	1	5			
	4	247877	CARBURETOR KIT	1	5	EE262/EE263	Incl.5	
	5	247867	CARBURETOR PARTS KIT	1	5			
	6	247864	FUEL HOSE/FILTER KIT	1	5			

MX27E
2. MAIN BODY

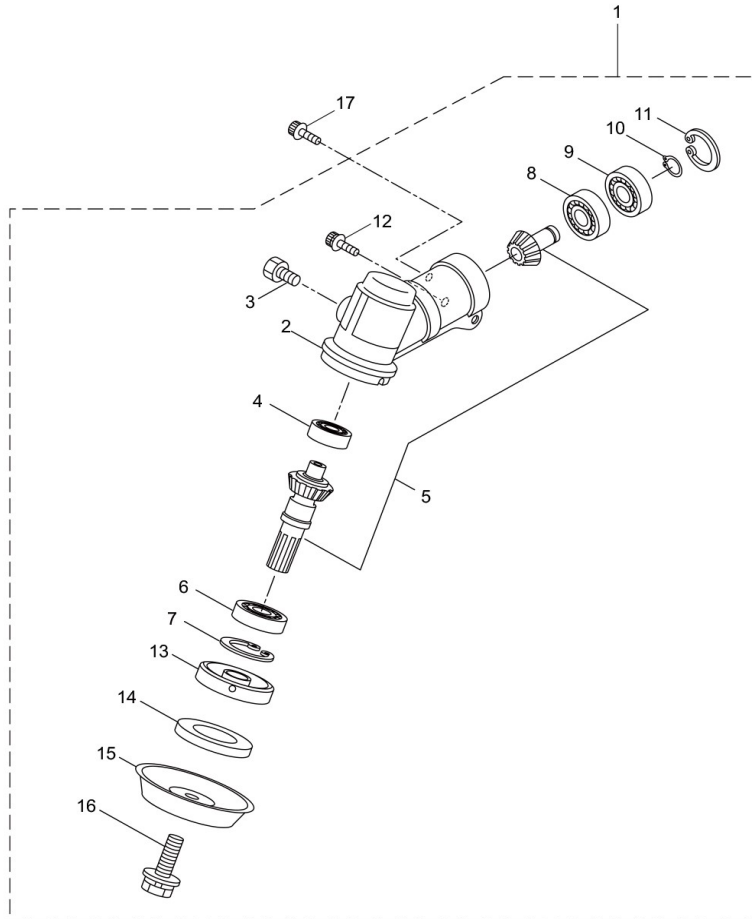


- 3 -

Status	Position	Parts Number	Parts Name	Unit Quantity	Set Unit Quantity	Specification	Remarks	Maker code
	1	366119	MX27E(TH)	1				
	2	227831	DRIVE SHAFT	1		7X1531L SP-18		
	3	560396	OUTER PIPE	1		24X1450XT1.8		
	4	012382	SNAP RING	1		773036	H36	
	5	560427	THROTTLE LEVER ASSY	1		SW#24/773036		
	6	215533	HANGING BRACKET ASSY	1		(24)773036	Incl.7	

Status	Position	Parts Number	Parts Name	Unit Quantity	Set Unit Quantity	Specification	Remarks	Maker code
	7	261762	SCREW	1		M5X14	M5x14	
	8	560391	BRACKET ASSY	1		26 30 /B4	Incl.9-11	
	9	560392	RETAINER	1		26 30 /B4		
	10	271437	SCREW	2		M6X20	M6x20	
	11	231704	WASHER	2		6X13XT1.0 弁17	6x13xt1.0	
	12	560240	CAUTION MARK	1		CEマ-ク/223188 マイ		
	13	560393	LABEL	1		MX27E	MX27E	
	14	560246	LABEL	1		112DBA/2280439 イ	112dBA	
	15	215501	LABEL	1		マシ 印		
△	16	560229	SHOULDER BAND ASSY	1		1800Lマカマ	Incl.17	
	17	560282	HOOK	1		NO.07017D		
	18	560316	LOOP HANDLE ASSY	1		(24)加ハリマ	Incl.19-22	
	19	222520	LOOP HANDLE	1		加ハリマ		
	20	213171	HANDLE BRACKET RUBBER	1				
	21	215608	CAP SCREW	4	5	M5X30X16	M5x30x16	
	22	081027	NUT	4	5	M5X0.8 171	M5	
	23	560420	COVER	1				
	24	560648	EXTENSION	1				
	25	230747	CORD CUTTER	1		マカマ /マカマ		
	26	232689	SCREW	3		M5X16	M5x16	

MX27E
3. GEAR CASE

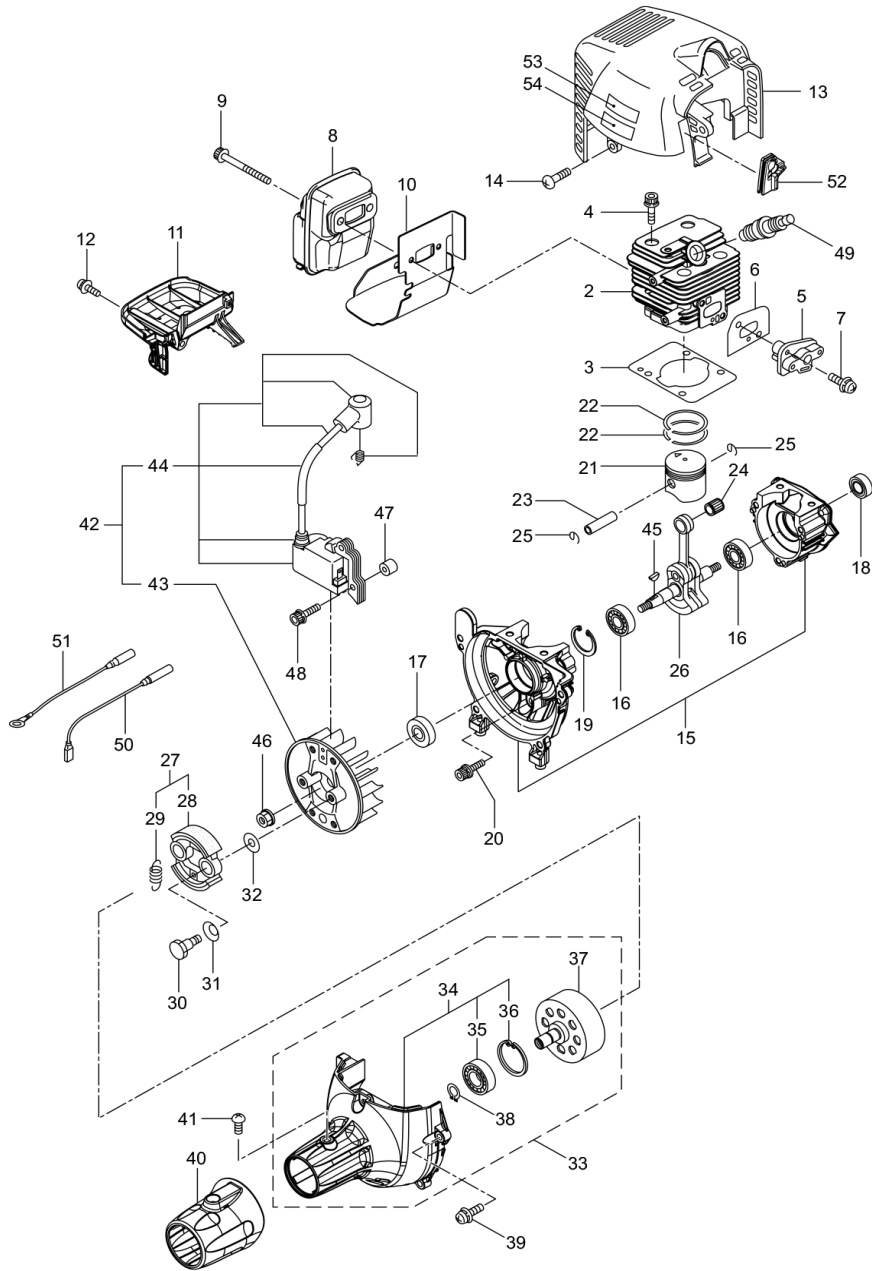


- 5 -

Status	Position	Parts Number	Parts Name	Unit Quantity	Set Unit Quantity	Specification	Remarks	Maker code
	1	231876	GEAR CASE ASSY	1		LK27(PLP)	Incl.2-16	
	2	225960	GEAR CASE	1		BC3020		
	3	234109	BOLT	1	5	M8X8	M8x8	
	4	227990	BEARING #608	1		#608	#608	
	5	228416	GEAR SET	1		60° 13T/13:19 Sp		
	6	227991	BEARING 6001 2RS	1		6001DDU(NSK)	#6001DDU	

Status	Position	Parts Number	Parts Name	Unit Quantity	Set Unit Quantity	Specification	Remarks	Maker code
	7	055185	SNAP RING #28	1	5	773928	H28	
	8	227992	BEARING 609	1		#609	#609	
	9	227993	BEARING #609Z	1		#609Z	#609Z	
	10	228477	C-SHAPED RING	1		37 0399 STW-9	#9	
	11	140270	C-SHAPED SNAP RING	1		773924	#24	
	12	261246	CAP SCREW	1	5	M5X25	M5x25	
	13	212986	BOSS A	1				
	14	140275	BOSS B	1				
	15	215547	STABILIZER	1				
	16	215610	BOLT	1		M8X22 六角リ	M8x22,Counterclockwise	
	17	261233	SCREW	1		M5X12	M5x12	

MX27E
4. ENGINE

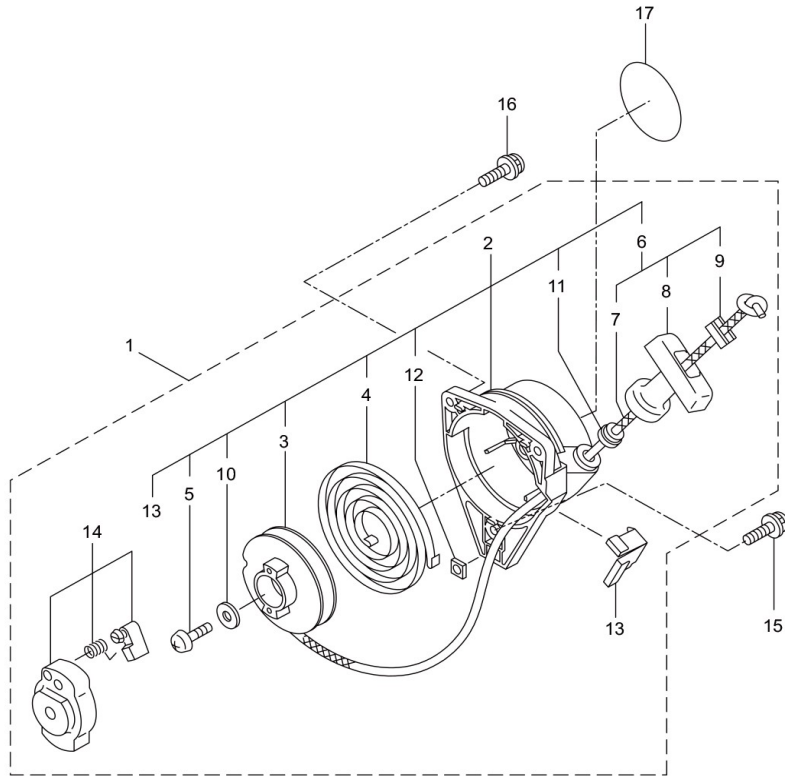


- 7 -

Status	Position	Parts Number	Parts Name	Unit Quantity	Set Unit Quantity	Specification	Remarks	Maker code
	1	875277	EE262TH/01(MX27E)	1			EE262TH/01	
	2	273153	CYLINDER	1				
	3	282330	GASKET	1	5	T=0.5		
	4	261250	CAP SCREW	4	5	M5X20	M5x20	
	5	282579	INSULATOR	1		BL300		
	6	267049	GASKET	1	5			
	7	269826	SCREW	2	5	M5X25WSW†±≡	M5x25	

Status	Position	Parts Number	Parts Name	Unit Quantity	Set Unit Quantity	Specification	Remarks	Maker code
	8	246656	MUFFLER ASSY	1		EE ｼﾌﾙ		
	9	266402	CAP SCREW	2	5	M5X55ﾌﾛｯｼﾝｸﾞ	M5x55	
	10	247074	GASKET	1				
	11	246083	UNDER COVER	1				
	12	269827	SCREW	1	5	M5X16WSWｷ	M5x16	
	13	563757		1		EE261ﾌｶﾘﾘﾝｸﾞ		
	14	246082	SCREW	1		4X12	M4x12	
	15	563680	CRANKCASE	1				
	16	280488	BEARING 6001C3	2		6001 C3ﾘﾝﾊﾞｰ	PPL 6001	
x	17	563633	OIL SEAL	1		HTC12287 ｸﾞﾗｽﾞﾘﾝｸﾞ		
x	18	563632	OIL SEAL	1				
	19	563635	SNAP RING #28	1	5	ﾌﾞﾗｯｸ28	H28	
	20	261612	CAP SCREW	3		M5X30	M5x30	
	21	273155	PISTON	1				
	22	261496	PISTON RING	2			(2)Required	
	23	261497	PISTON PIN	1		5.7X8X27.5		
	24	261037	BEARING NEEDLE KBK8X11X11.8X1	1		KBK8X11X11.8X1	KBK8x11x11.8x1	
	25	261576	CLIP PISTON	2				
	26	277939	CRANK SHAFT	1		EE260ｷ		
	27	280375	CLUTH ASSY	1		54ｷｸﾗｯｼﾞ ｺﾝﾀｸﾞ	Incl.28,29	
x	28	280407		2				
	29	264889	SPRING	1				
	30	264505	BOLT	2				
	31	261777	WAVE WASHER	2	5			
	32	261189	WASHER	2	5	6X16.5XT1.2	6x16.5xt1.2	
	33	563556	FAN COVER ASSY	1			Incl.34-38	
	34	563557	FAN COVER ASSY	1			Incl.35,36	
	35	269124	BEARING	1		6200ZZ C3	6200ZZ C3	
	36	013825	SNAP RING	1		ﾌﾞﾗｯｸ30	#30	
	37	289727	CLUTCH DRUM	1				
	38	563065	SNAP RING	1	5	ｼﾞﾝｸﾞ10	#10	
	39	269831	SCREW	4	5	M5X20WSWｷ	M5x20	
	40	246930		1		279976 F.ｶﾊﾞｰ-ｺﾞ		
	41	246787	CAP SCREW	1		5X18	M5x18	
x	42	563535		1			Incl.43,44	
	43	277797	ROTOR	1		AD89-41-1000		
	44	277798	IGNITION COIL ASSY	1		AD89-41-2000		
	45	261076	WOODRUFF KEY 3X10	1	5	Aｼﾞ 3X10	3x10	
	46	261417	NUT ROTOR M8	1	5	M8	M8	
	47	280381	SPACER	2	5			
	48	261256	BOLT	2	5	M4X25	M4x25	
	49	288264	SPARK PLUG	1		NGK BPMR8Y	BPMR8Y	
	50	263804	WIRE COIL	1		155ｷﾞHCBH		
	51	284541	LEAD	1		135M4HCBH		
	52	246078		1				
	53	563192	LABEL	1		CE/PLｼﾞﾝ 4ｼﾞﾝ		
	54	563608	LABEL	1		TOKYO JAPAN	TOKYO JAPAN	

MX27E
5. RECOIL STARTER

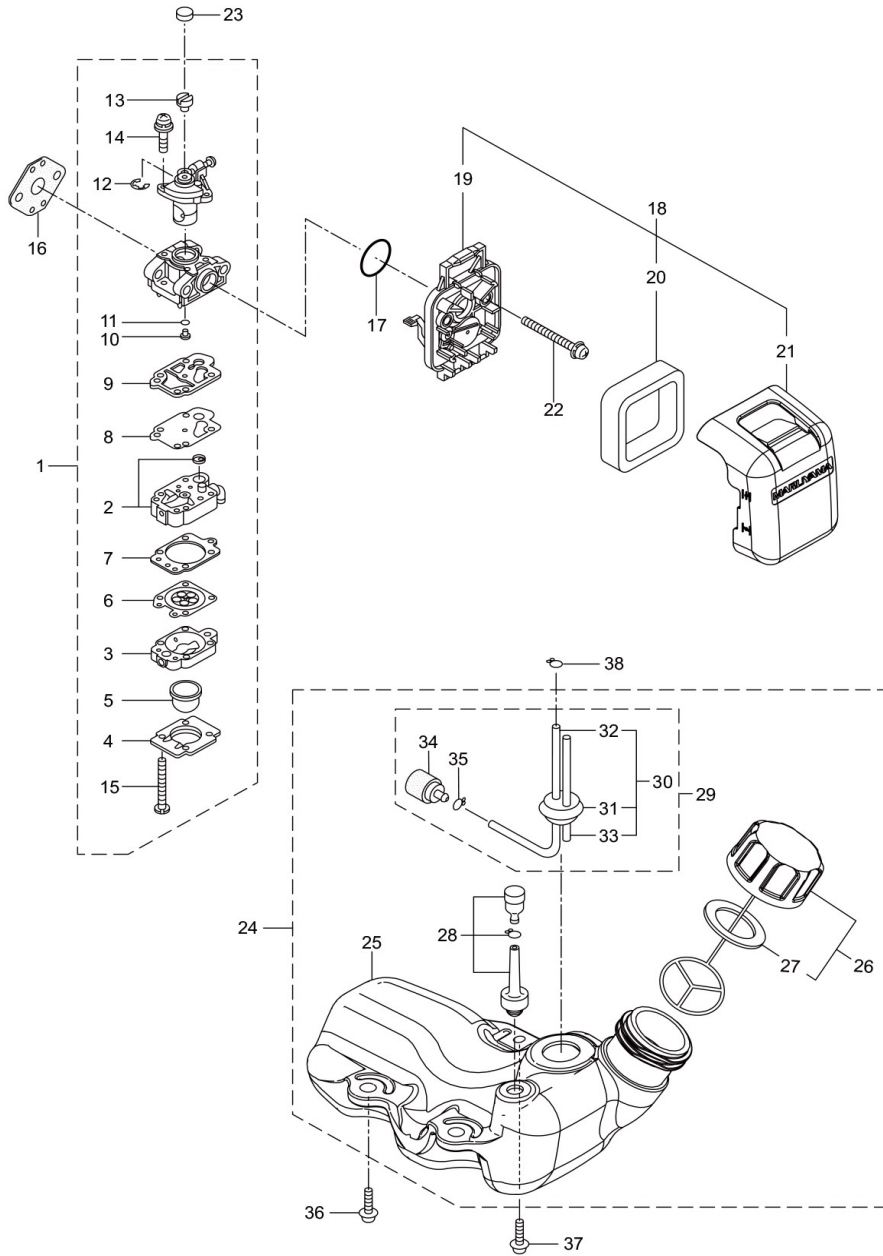


- 11 -

Status	Position	Parts Number	Parts Name	Unit Quantity	Set Unit Quantity	Specification	Remarks	Maker code
	1	563307	RECOIL STARTER ASSY	1			Incl.2-14	
	2	273093	STARTER ASSY	1			Incl.3-13	
	3	280492	REEL	1				
	4	287421	SPRING	1		T0.4		
	5	280494	SCREW SET	1				
	6	280495	ROPE ASSY	1			Incl.7-9	

Status	Position	Parts Number	Parts Name	Unit Quantity	Set Unit Quantity	Specification	Remarks	Maker code
	7	283616	STARTER ROPE	1				
	8	280497	STARTER KNOB	1				
	9	280550	STOPPER	1				
	10	280547	WASHER	1	10			
	11	280548	COLLAR	1				
	12	269423	NUT	1	5	シカワナM5		
	13	288500	PLATE	1		269999300-70材 I		
	14	287399	STARTER PULLEY ASSY	1		クハシヤ		
	15	269833	SCREW	1	5	M4X16WSWナニ	M4x16	
	16	280489	SCREW	2	5	M4X20WSWナ	M4x20	
	17	563548	LABEL	1		48 EE262	EE262	

MX27E
6. CARBURETOR, FUEL TANK

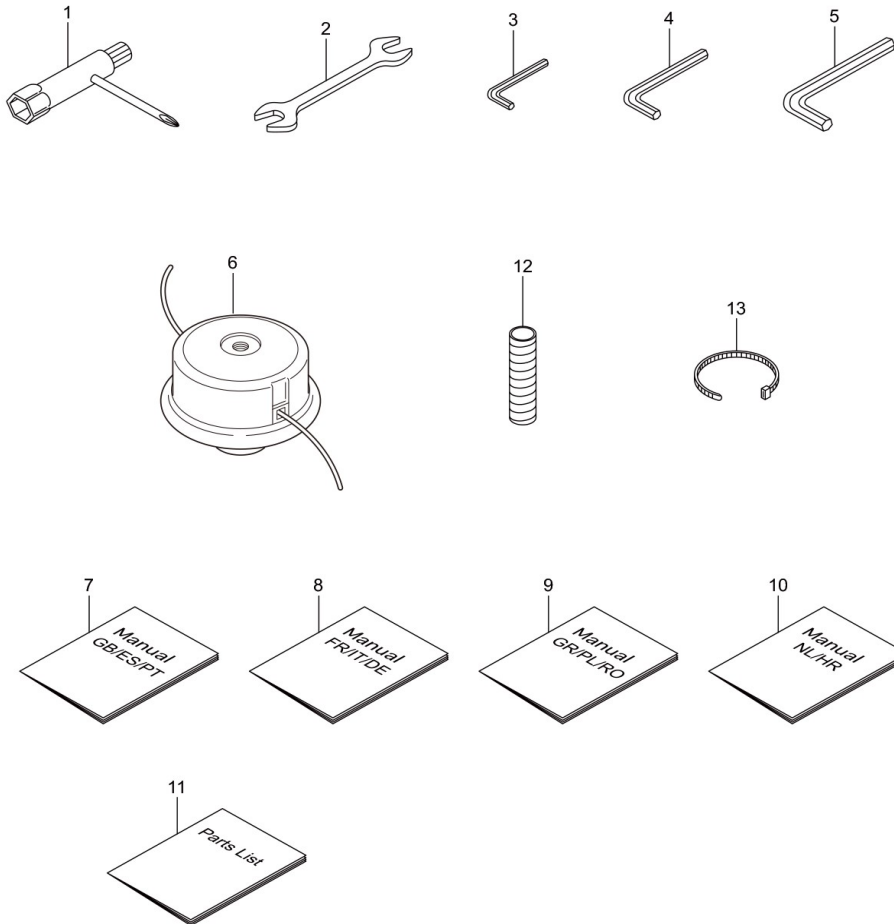


- 13 -

Status	Position	Parts Number	Parts Name	Unit Quantity	Set Unit Quantity	Specification	Remarks	Maker code
	1	276323	CARBURETOR ASSY	1		WYL-348	Incl.2-15 New gasket required	
	2	281597	BODY	1		WB5-2904		
	3	262991	PURGE BODY	1		WB5-2557		
	4	262992	COVER	1		WB21-3147		
	5	261874	PRIMER	1		WB188-12		
	6	283905	DIAPHRAGM METERRING	1		WB95-614		

Status	Position	Parts Number	Parts Name	Unit Quantity	Set Unit Quantity	Specification	Remarks	Maker code
	7	262993	GASKET	1		WB92-359		
	8	262994	DIAPHRAGM	1		WB95-99		
	9	282576	GASKET	1		WB92-415		
	10	289396	JET	1		WB112-3070-330		
	11	261871	O-RING	1		WB16-104		
	12	261876	RING	1		WB16-71		
	13	261658	SWIVEL	1		WB52-34		
	14	264682	SCREW	2		WB96-364		
	15	262996	SCREW	4	5	WB96-425		
	16	261864	GASKET	1	5			
	17	264691	O-RING	1	5			
	18	563416	CLEANER ASSY	1		278090	Incl.19-21	
	19	265576	FILTER HOLDER	1		WB181-632		
	20	264695	FILTER	1		WB125-62		
	21	277553	CLEANER COVER	1		MARUYAMA		
	22	269834	SCREW	2	5	M5X60WSW†		
	23	280020	CAP	1	5	ハﾟｸﾞﾘｯｸ		
	24	563400	TANK ASSY	1			Incl.25-35	
△	25	563101	FUEL TANK	1				
	26	275306	FUEL TANK CAP ASSY	1			Incl.27	
	27	274875	PACKING	1		KRYNAC4975F		
	28	563262	BREATHER ASSY	1				
×	29	563232	FUEL PIPE ASSY	1			Incl.30-35	
	30	563233	FUEL PIPE ASSY	1			Incl.31-33	
	31	288192	GROMMET	1				
	32	261690	FUEL PIPE	1		3X5X160L(㊦)	160L	
	33	288194	RETURN PIPE	1		3X6X85(†)	3x6x85	
	34	277887	FILTER ASSY	1		125-935		
	35	563014	CLIP	1				
	36	269828	SCREW	2	5	M5X16W†-11.6	M5x16	
	37	281208	SCREW	1	5	M5X16W†+㊦	M5x16	
	38	563014	CLIP	1				

MX27E
7. ACCESSORIES



- 15 -

Status	Position	Parts Number	Parts Name	Unit Quantity	Set Unit Quantity	Specification	Remarks	Maker code
	1	210418	BOX SPANNER	1		13X19X(+) 11	13x19x(+)	
	2	022865	DOUBLE-ENDED SPANNER	1		8X10	8x10	
	3	219431	SPANNER	1		3mm	3mm	
	4	219432	WRENCH	1		4mm	4mm	
	5	219433	WRENCH	1		5mm	5mm	
	6	232226	SEMI-AUTO HEAD 4	1		M8	M8	

Status	Position	Parts Number	Parts Name	Unit Quantity	Set Unit Quantity	Specification	Remarks	Maker code
	7	561021	Instruction Manual	1		3תנחנח GB/ES/PT	GB/ES/PT	
	8	561022	Instruction Manual	1		3תנחנח FR/IT/DE	FR/IT/DE	
	9	561023	Instruction Manual	1		3תנחנח GR/PL/RO	GR/PL/RO	
	10	561024	Instruction Manual	1		2תנחנח NL/HR	NL/HR	
	11	524716		1			MX27E	
	12	560251	TUBE	1		3תנח 15 60L תנח	60L	
	13	685048	BAND	1		CV-150B(תנח)	CV-150B	