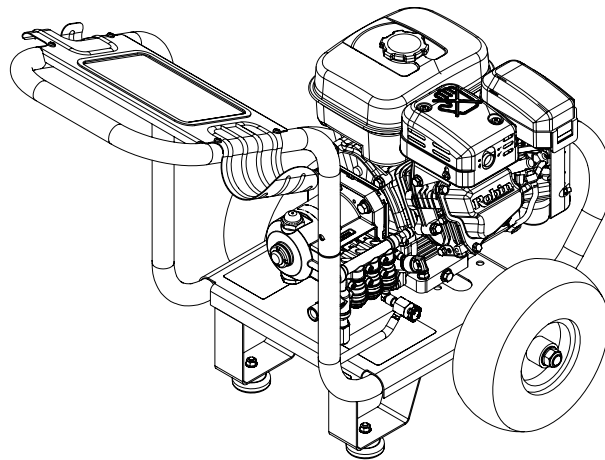


PARTS LIST

MSW4600

MSW6500

MSW8500



2014.10.



MARUYAMA

P/N 523831

CONTENTS

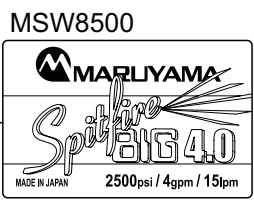
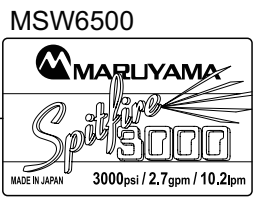
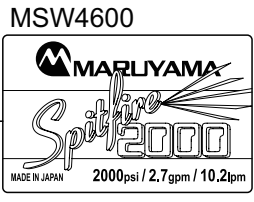
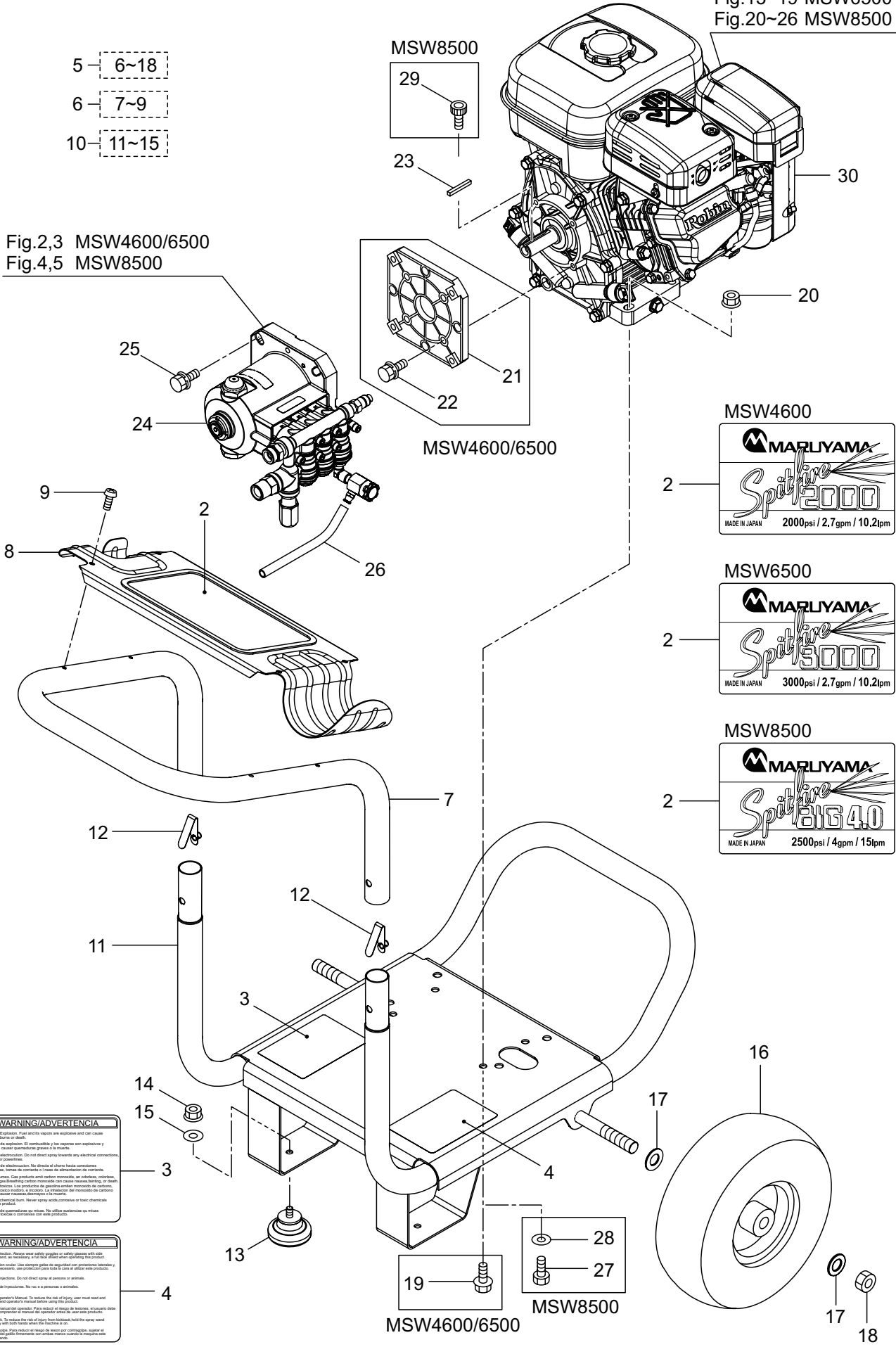
1. MAIN BODY.....	2
2. PUMP-1 (MSW4600/MSW6500)	4
3. PUMP-2 (Valve) (MSW4600/MSW6500).....	6
4. PUMP-1 (MSW8500).....	8
5. PUMP-2 (Valve) (MSW8500)	10
MSW4600 ENGINE (EX170DM3460)	
6. ENGINE (Crankcase, Cylinder Head).....	14
7. ENGINE (Crank Shaft, Piston).....	16
8. ENGINE (Air Cleaner, Muffler)	18
9. ENGINE (Governor).....	22
10. ENGINE (Recoil Starter).....	24
11. ENGINE (Fuel Tank, Carburetor).....	26
12. ENGINE (Electrical Parts, Accessories).....	28
MSW6500 ENGINE (EX210DM2480)	
13. ENGINE (Crankcase, Cylinder Head).....	30
14. ENGINE (Crank Shaft, Piston).....	32
15. ENGINE (Air Cleaner, Muffler)	34
16. ENGINE (Governor).....	38
17. ENGINE (Recoil Starter).....	40
18. ENGINE (Fuel Tank, Carburetor).....	42
19. ENGINE (Electrical Parts, Accessories).....	44
MSW8500 ENGINE (EX270DM5180)	
20. ENGINE (Crankcase, Cylinder Head).....	46
21. ENGINE (Crank Shaft, Piston).....	48
22. ENGINE (Air Cleaner, Muffler)	50
23. ENGINE (Governor).....	54
24. ENGINE (Recoil Starter).....	56
25. ENGINE (Fuel Tank, Carburetor).....	58
26. ENGINE (Electrical Parts, Accessories).....	60
27. ACCESSORIES (Hose, Nozzle).....	62

1. MSW4600/MSW6500/MSW8500 MAIN BODY

Fig.6~12 MSW4600
Fig.13~19 MSW6500
Fig.20~26 MSW8500

- 5 — 6~18
- 6 — 7~9
- 10 — 11~15

Fig.2,3 MSW4600/6500
Fig.4,5 MSW8500

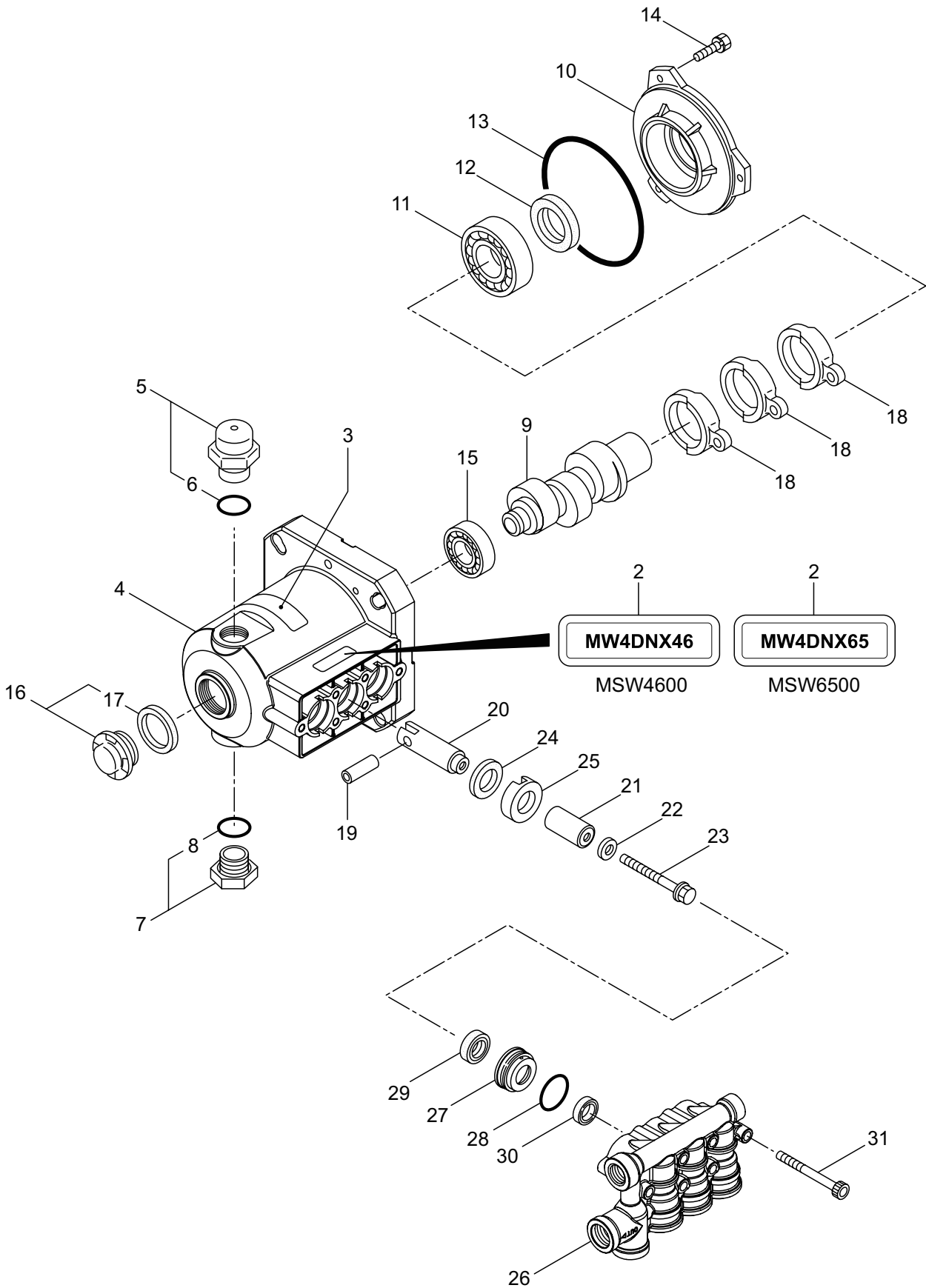


WARNING/ADVERTENCIA
 Risk of explosion. Fuel and its vapors are explosive and can cause severe burns or death.
 Riesgo de explosión. El combustible y los vapores son explosivos y pueden causar quemaduras graves o la muerte.
 Risk of electrocution. Do not direct spray towards any electrical connections.
 Riesgo de electrocución. No dirija el chorro hacia conexiones eléctricas, sensores de corriente o líneas de distribución de corriente.
 Toxic Fumes. Gas produced can contain toxic, asphyxiant, corrosive, irritant, and/or flammable vapors and/or particles.
 Fumos tóxicos. Los productos de gas pueden contener vapores de carbono, asfixiantes, corrosivos, irritantes y/o inflamables.
 Precaution against fire. Do not use near open flames, sparks, or other sources of ignition.
 Precaución contra el fuego. No utilizar cerca de flamas, chispas u otros focos de ignición.
 Risk of chemical burn. Never spray into your eyes or face.
 Riesgo de quemaduras químicas. Nunca rocíe en los ojos o en la cara.

WARNING/ADVERTENCIA
 Eye Protection. Always wear safety goggles or safety glasses with side shields when in the vicinity of a hot fluid or when spraying the product.
 Protección ocular. Siempre use gafas de seguridad con protecciones laterales y de los lados cuando se rocíe o se encuentre cerca de un fluido caliente.
 Risk of tripping. Do not direct spray at persons or animals.
 Riesgo de tríplicas. No rocíe a personas o animales.
 Read Operator's Manual. To reduce the risk of injury, user must read and understand operator's manual before using this product.
 Lea el manual del operador. Para reducir el riesgo de lesiones, el usuario debe leer y comprender el manual del operador antes de usar este producto.
 Accidents. To reduce the risk of injury from accidents, hold the spray wand securely with both hands when the trigger is on.
 Accidentes. Para reducir el riesgo de lesiones por accidentes, agarrar el mango del spray con ambas manos cuando se activa el disparador.

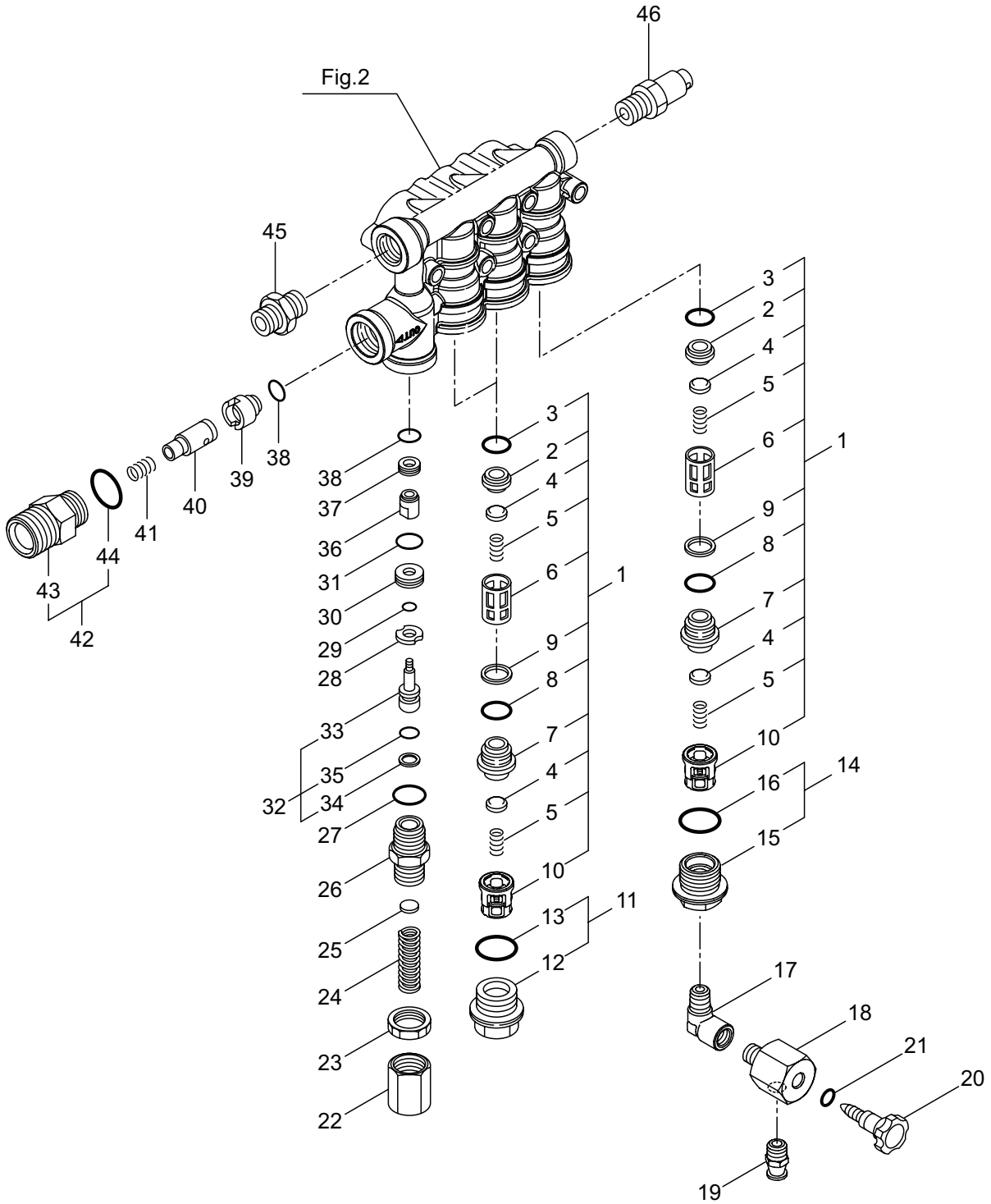
Ref. No.	Parts No.	Parts Name	Q'ty			Remarks
			4600	6500	8500	
1-1	316170	MSW4600	1			
1-1	316171	MSW6500		1		
1-1	316172	MSW8500			1	
1-2	132644	Label	1			MSW4600
1-2	132660	Label		1		MSW6500
1-2	132667	Label			1	MSW8500
1-3	132645	Label	1	1	1	
1-4	132646	Label	1	1	1	
1-5	132647	Frame Ass'y	1	1	1	Incl.6-18
1-6	132681	Handle Ass'y	1	1	1	Incl.7-9
1-7	132747	Handle	1	1	1	
1-8	132682	Plate	1	1	1	
1-9	132683	Screw	4	4	4	M6X16
1-10	132748	Engine Base Ass'y	1	1	1	Incl.11-15
1-11	132680	Engine Base	1	1	1	
1-12	132684	Snap Button	2	2	2	
1-13	132688	Rubber Mount	2	2	2	30-M8X16
1-14	132689	Nut	2	2	2	M8
1-15	132941	Washer	2	2	2	
1-16	132685	Wheel	2	2	2	
1-17	132686	Washer	4	4	4	17.3X30X2T
1-18	132687	Nut	2	2	2	M16
1-19	092526	Bolt	4	4		M8X35
1-20	126201	Nut	4	4		M8
1-20	126567	Nut			4	M10
1-21	046271	Flange	1	1		
1-22	131212	Bolt	4	4		5/16-24UNFX20SM
1-23	547162	Key	1	1		3/16X3/16X38L
1-23	049411	Key			1	6.35X6.35X59
1-24	818587	MW4DNX46	1			
1-24	818588	MW4DNX65		1		
1-24	818589	MW67DX85			1	
1-25	541141	Bolt	4	4	4	3/8-16UNCX35SMK
1-26	132013	Vinyl Hose	1	1	1	9X12X510L
1-27	126532	Bolt			4	M10X40
1-28	126574	Washer			4	M10
1-29	126761	Cap Screw			1	M5X8
1-30	132690	Engine	1			EX170DM3460
1-30	132661	Engine		1		EX210DM2480
1-30	132668	Engine			1	EX270DM5180

2. MSW4600/MSW6500
PUMP-1



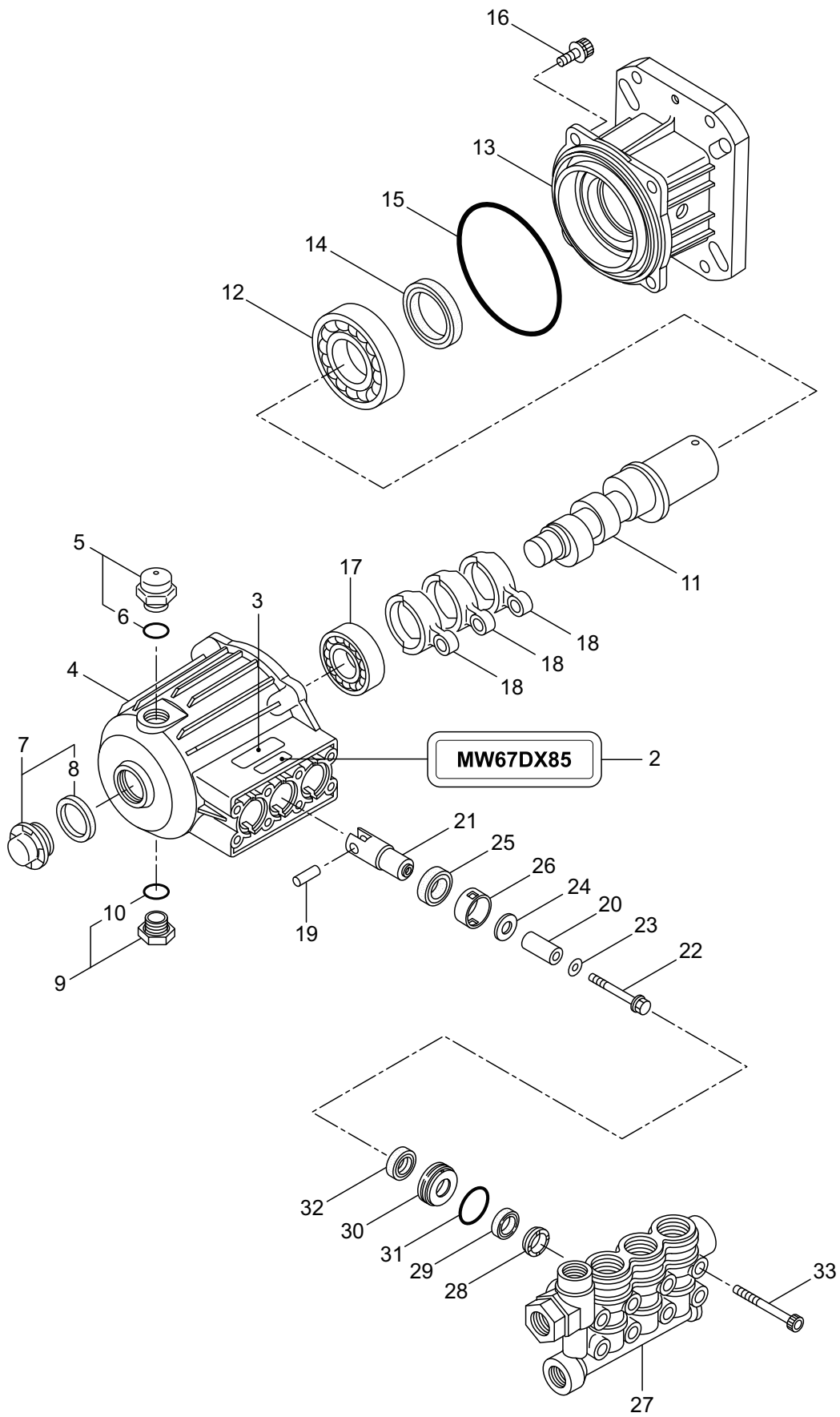
Ref. No.	Parts No.	Parts Name	Q'ty			Remarks
			4600	6500	8500	
2-1	818587	MW4DNX46	1			
2-1	818588	MW4DNX65		1		
2-2	132650	Label	1			MW4DNX46
2-2	132663	Label		1		MW4DNX65
2-3	101388	Label	1	1		
2-4	132651	Crank Case	1	1		
2-5	547961	Oil Cap Ass'y	1	1		Incl.6
2-6	014179	O-Ring	1	1		P20
2-7	811174	Plug Ass'y	1	1		Incl.8
2-8	014179	O-Ring	1	1		P20
2-9	049882	Crank Shaft	1	1		
2-10	547153	Bearing Case	1	1		
2-11	014488	Bearing	1	1		#6006
2-12	055337	Oil Seal	1	1		D30428
2-13	014041	O-Ring	1	1		S100
2-14	549360	Bolt	3	3		M6X14
2-15	015710	Bearing	1	1		#6204
2-16	092241	Oil Gauge Ass'y	1	1		Incl.17
2-17	044428	Packing	1	1		25X34XT2
2-18	547048	Connecting Rod	3	3		
2-19	046229	Piston Pin	3	3		
2-20	542402	Piston	3	3		
2-21	547091	Sleeve	3	3		
2-22	046730	Seal Washer	3	3		
2-23	542405	Bolt	3	3		M6X35
2-24	047215	Oil Seal	3	3		
2-25	046233	Seal Packing Retainer	3	3		
2-26	049763	Manifold	1	1		
2-27	049804	Seal Case	3	3		
2-28	013976	O-Ring	3	3		S25
2-29	049816	U-Packing B	3	3		
2-30	049824	U-Packing A	3	3		
2-31	549357	Cap Screw	6	6		M6X60

3. MSW4600/MSW6500
PUMP-2 (Valve)



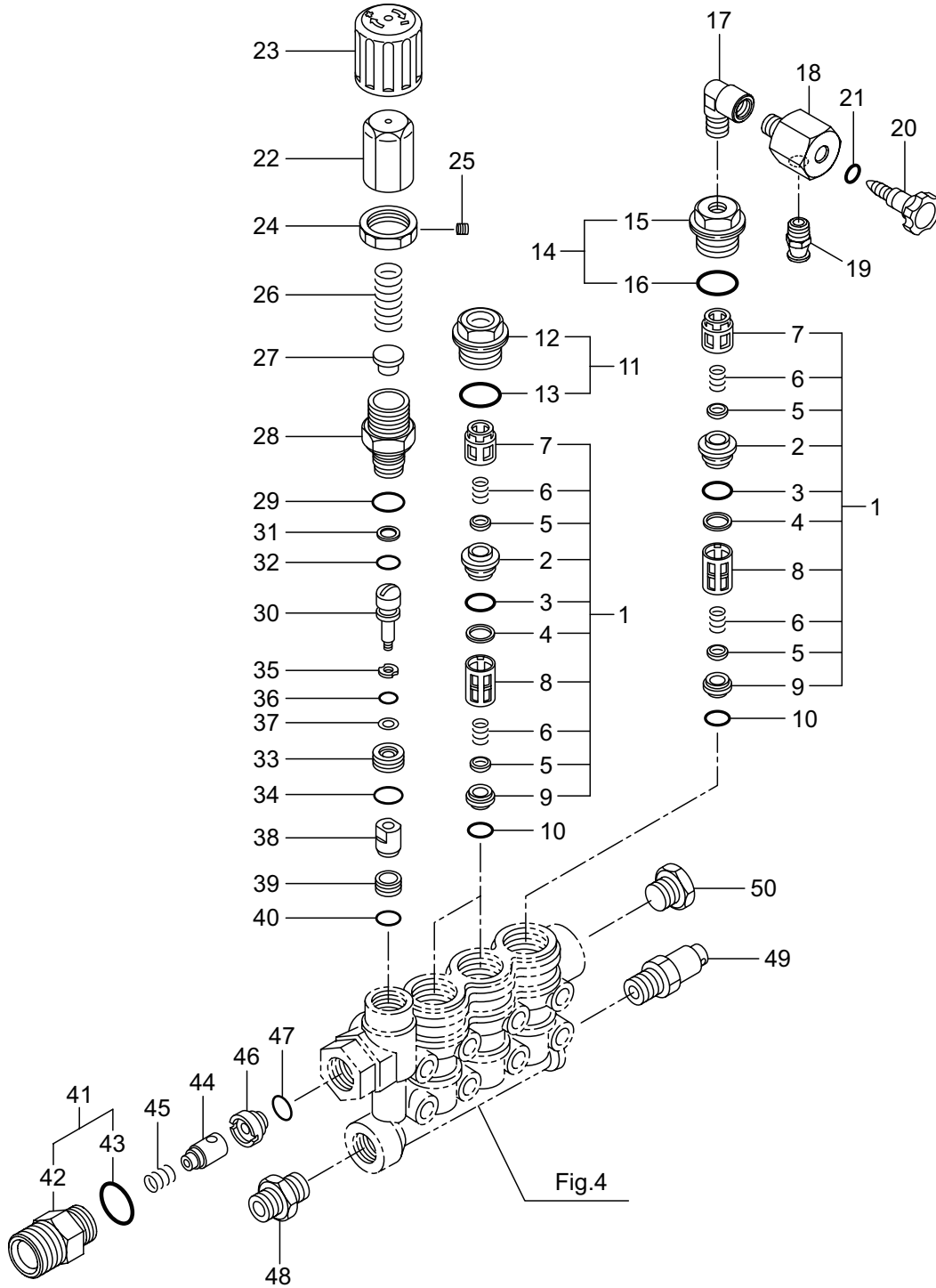
Ref. No.	Parts No.	Parts Name	Q'ty			Remarks
			4600	6500	8500	
3-1	049808	Valve Ass'y	3	3		Incl.2-10
3-2	547077	Valve Seat	3	3		
3-3	017428	O-Ring	3	3		P10
3-4	547098	Valve	6	6		
3-5	046865	Spring	6	6		
3-6	543988	Spring Retainer	3	3		
3-7	547076	Valve Seat	3	3		
3-8	043358	O-Ring	3	3		12.3X1.6
3-9	048361	Back-Up Ring	3	3		12.5X15X1
3-10	049764	Spring Retainer	3	3		
3-11	547104	Plug Ass'y	2	2		Incl.12,13
3-12	547078	Plug	2	2		M20X1.5
3-13	142807	O-Ring	2	2		P18
3-14	131183	Plug Ass'y	1	1		Incl.15,16
3-15	131184	Plug	1	1		M20X1.5-RC1/8
3-16	142807	O-Ring	1	1		P18
3-17	131185	Elbow	1	1		
3-18	541778	Air Bleeder	1	1		
3-19	541559	Adapter	1	1		
3-20	027441	Needle Valve	1	1		
3-21	011341	O-Ring	1	1		3X2
3-22	547798	Pressure Regulator Cap	1	1		
3-23	045070	Nut	1	1		M18X1
3-24	549356	Spring	1	1		
3-25	549352	Plate	1	1		11XT2.3
3-26	547799	Piston Guide	1	1		
3-27	026133	O-Ring	1	1		S16
3-28	046250	Washer	1	1		
3-29	017399	O-Ring	1	1		P6
3-30	046249	Sleeve	1	1		
3-31	013966	O-Ring	1	1		S12.5
3-32	811301	Piston Ass'y	1	1		Incl.33-35
3-33	045694	Piston	1	1		
3-34	020184	Back-Up Ring	1	1		P8
3-35	014190	O-Ring	1	1		P8
3-36	547800	Valve	1	1		
3-37	049664	Valve Seat	1	1		
3-38	013963	O-Ring	2	2		S10
3-39	046254	Valve Seat	1	1		
3-40	541060	Valve CP.	1	1		
3-41	045924	Spring	1	1		
3-42	131186	Adapter Ass'y	1	1		Incl.43,44
3-43	131188	Adapter	1	1		M22X1.5-M18X1
3-44	026133	O-Ring	1	1		S16
3-45	028371	Nipple	1	1		3/8-18NPTXPF1/2
3-46	132652	Valve	1	1		

4. MSW8500
PUMP-1



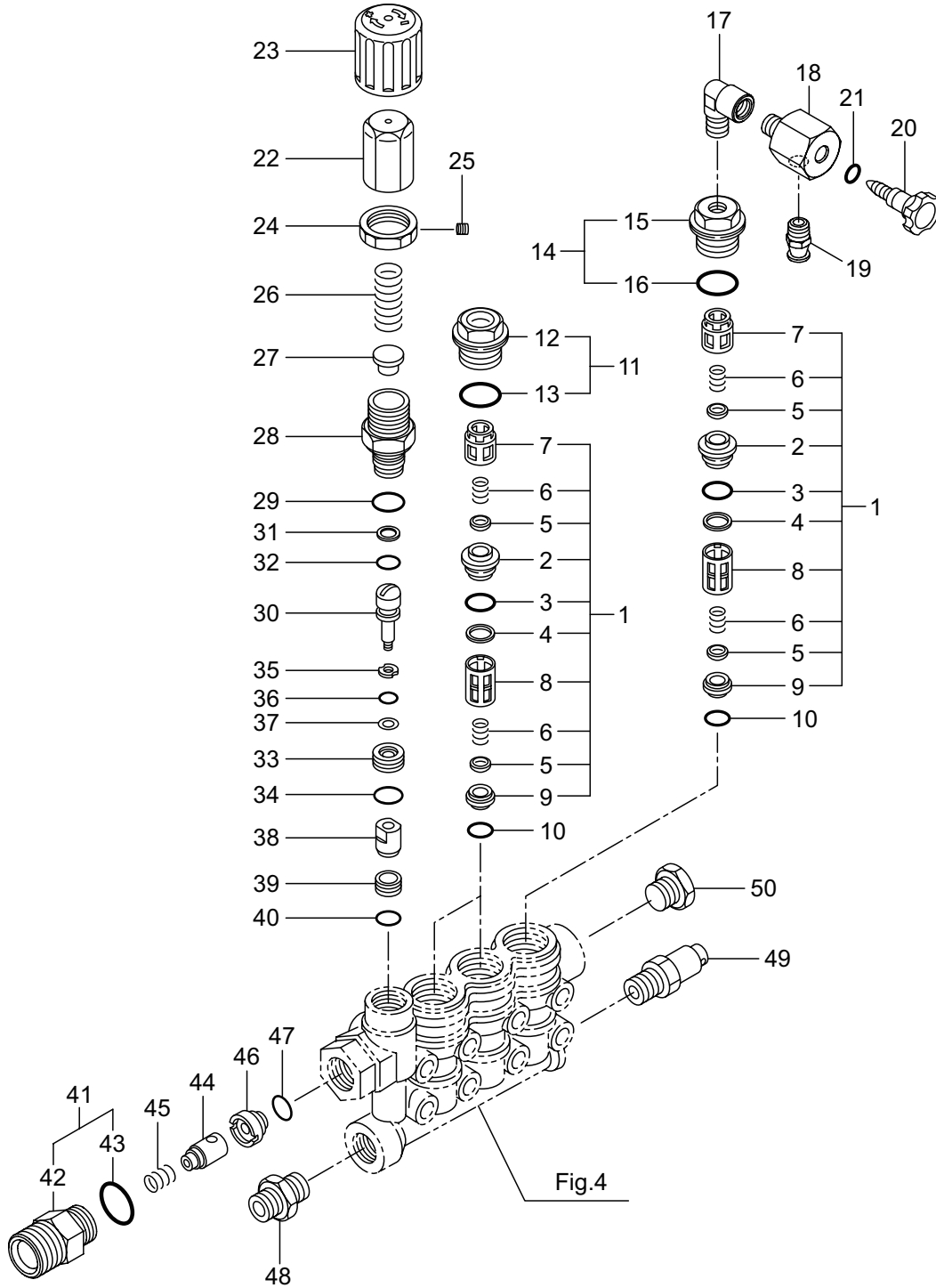
Ref. No.	Parts No.	Parts Name	Q'ty			Remarks
			4600	6500	8500	
4-1	818589	MW67DX85			1	
4-2	132670	Label			1	MW67DX85
4-3	101388	Label			1	
4-4	132671	Crank Case			1	
4-5	547961	Oil Cap Ass'y			1	Incl.6
4-6	014179	O-Ring			1	P20
4-7	092241	Oil Gauge Ass'y			1	Incl.8
4-8	044428	Packing			1	25X34XT2
4-9	811174	Plug Ass'y			1	Incl.10
4-10	014179	O-Ring			1	P20
4-11	132296	Crank Shaft			1	
4-12	126962	Bearing			1	#6208
4-13	049361	Flange			1	
4-14	125351	Oil Seal			1	TC40559
4-15	014043	O-Ring			1	S110
4-16	127285	Cap Screw			4	M8X25
4-17	049363	Bearing			1	#63/22
4-18	049364	Connecting Rod			3	
4-19	049366	Piston Pin			3	
4-20	049367	Sleeve			3	14X28L
4-21	049368	Piston			3	
4-22	049369	Bolt			3	M6X40X16
4-23	046730	Seal Washer			3	
4-24	049370	Washer			3	9X20XT0.4
4-25	047215	Oil Seal			3	SC16267
4-26	049371	Seal Packing Retainer			3	
4-27	049372	Manifold			1	
4-28	048757	Adapter Male			3	
4-29	048758	U-Packing A			3	
4-30	049374	Seal Case			3	
4-31	013977	O-Ring			3	S26
4-32	045188	U-Packing B			3	14X24X6
4-33	126512	Cap Screw			8	M8X65

5. MSW8500
PUMP-2 (Valve)



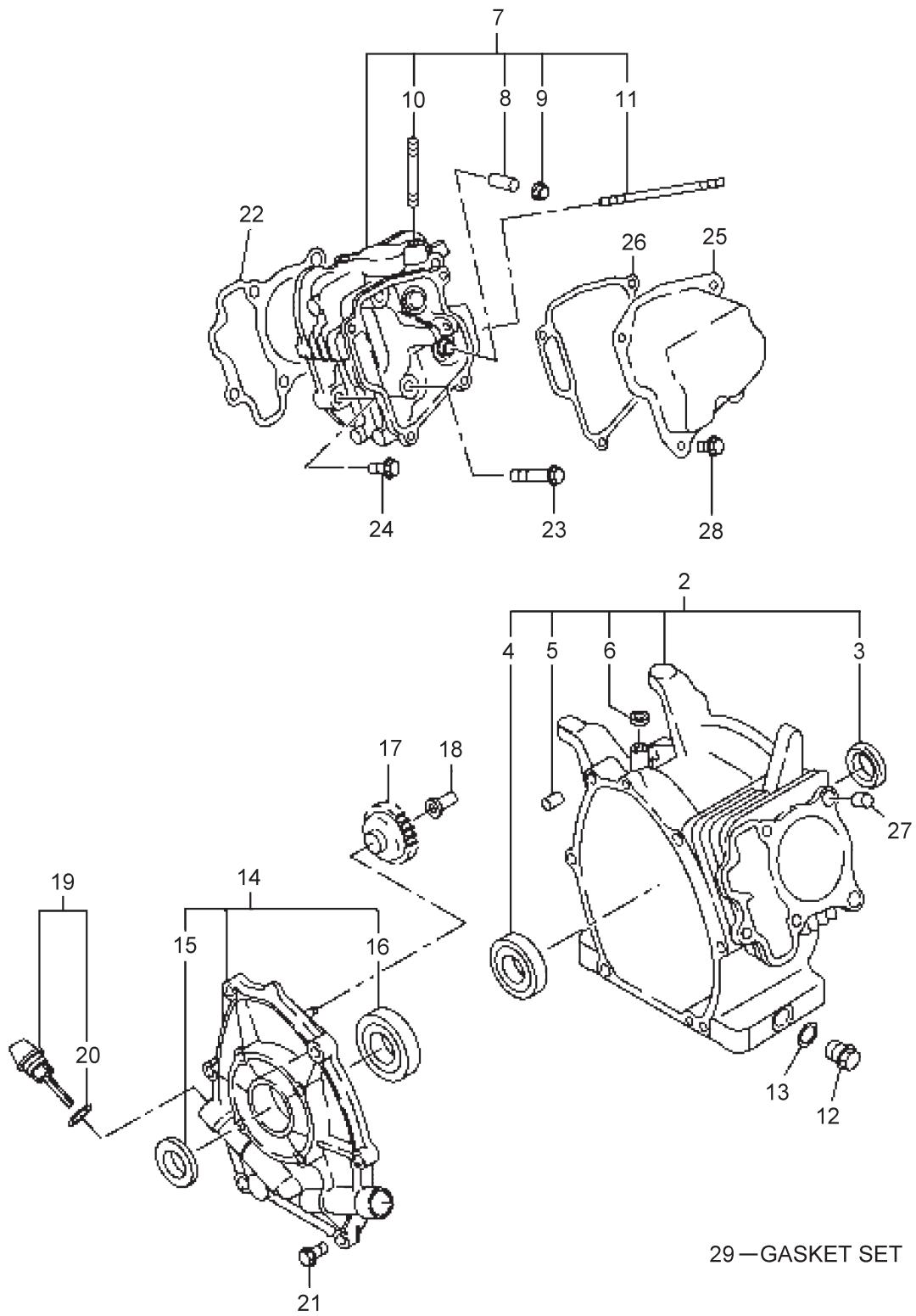
Ref. No.	Parts No.	Parts Name	Q'ty			Remarks
			4600	6500	8500	
5-1	049375	Valve Ass'y			3	Incl.2-9
5-2	049376	Valve Seat			3	
5-3	043358	O-Ring			3	12.3X1.6
5-4	048361	Back-Up Ring			3	12.5X15X1
5-5	547098	Valve			6	
5-6	049354	Spring			6	
5-7	547441	Spring Retainer			3	
5-8	049377	Spring Retainer			3	
5-9	049378	Valve Seat			3	
5-10	026129	O-Ring			3	S12
5-11	049379	Plug Ass'y			2	Incl.12,13
5-12	049380	Plug			2	
5-13	049382	O-Ring			2	P20
5-14	132672	Plug Ass'y			1	Incl.15,16
5-15	132673	Plug			1	M22X1.5-RC1/8
5-16	049382	O-Ring			1	P20
5-17	131185	Elbow			1	
5-18	541778	Air Bleeder			1	
5-19	541559	Adapter			1	
5-20	027441	Needle Valve			1	
5-21	011341	O-Ring			1	3X2
5-22	049099	Pressure Regulator Cap			1	
5-23	049100	Cap			1	
5-24	125521	Nut			1	M25X1
5-25	088953	Cap Screw			1	M4X4
5-26	045198	Spring			1	
5-27	049101	Plate			1	
5-28	049102	Piston Guide			1	
5-29	026133	O-Ring			1	S16
5-30	049103	Piston			1	
5-31	129638	Back-Up Ring			1	P9
5-32	049104	O-Ring			1	P9
5-33	049105	Sleeve			1	
5-34	049106	O-Ring			1	S15
5-35	049107	Washer			1	
5-36	022056	O-Ring			1	P7
5-37	049123	Back-Up Ring			1	7X10X1.25
5-38	049383	Valve			1	
5-39	049384	Valve Seat			1	
5-40	013965	O-Ring			1	S12
5-41	132674	Adapter Ass'y			1	Incl.42,43
5-42	132675	Adapter			1	M22X1.5XM20X1
5-43	026133	O-Ring			1	S16
5-44	049245	Valve CP.			1	
5-45	117275	Spring			1	

5. MSW8500
PUMP-2 (Valve)



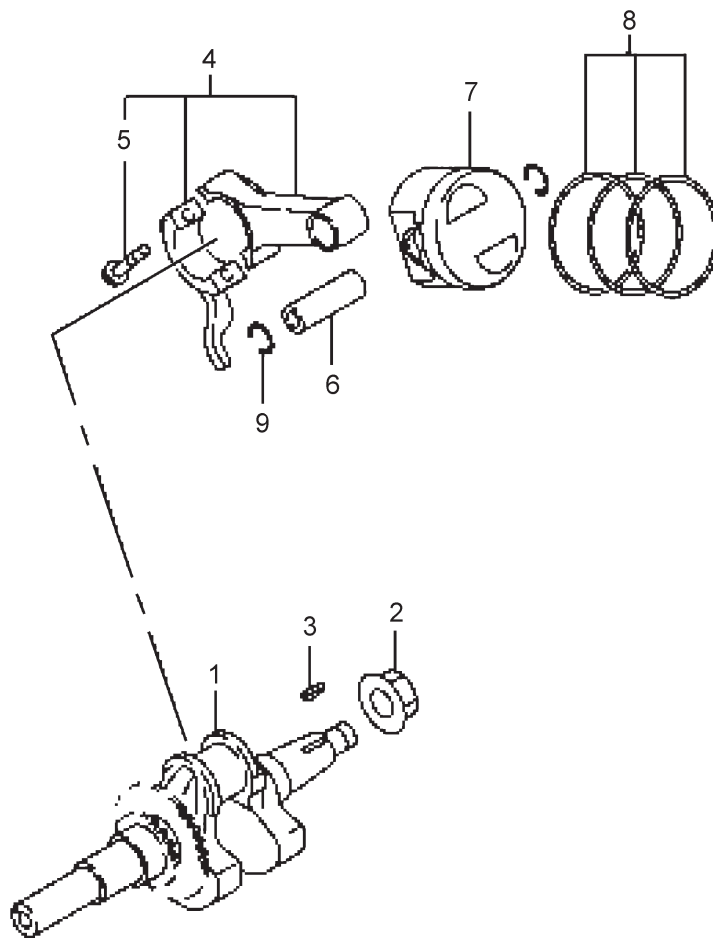
Ref. No.	Parts No.	Parts Name	Q'ty			Remarks
			4600	6500	8500	
5-46	049386	Valve Seat			1	
5-47	013963	O-Ring			1	S10
5-48	028375	Nipple			1	1/2-14NPTXPF1/2
5-49	132652	Valve			1	
5-50	043633	Plug			1	3/8-18NPT

6. MSW4600
ENGINE (Crankcase, Cylinder Head)



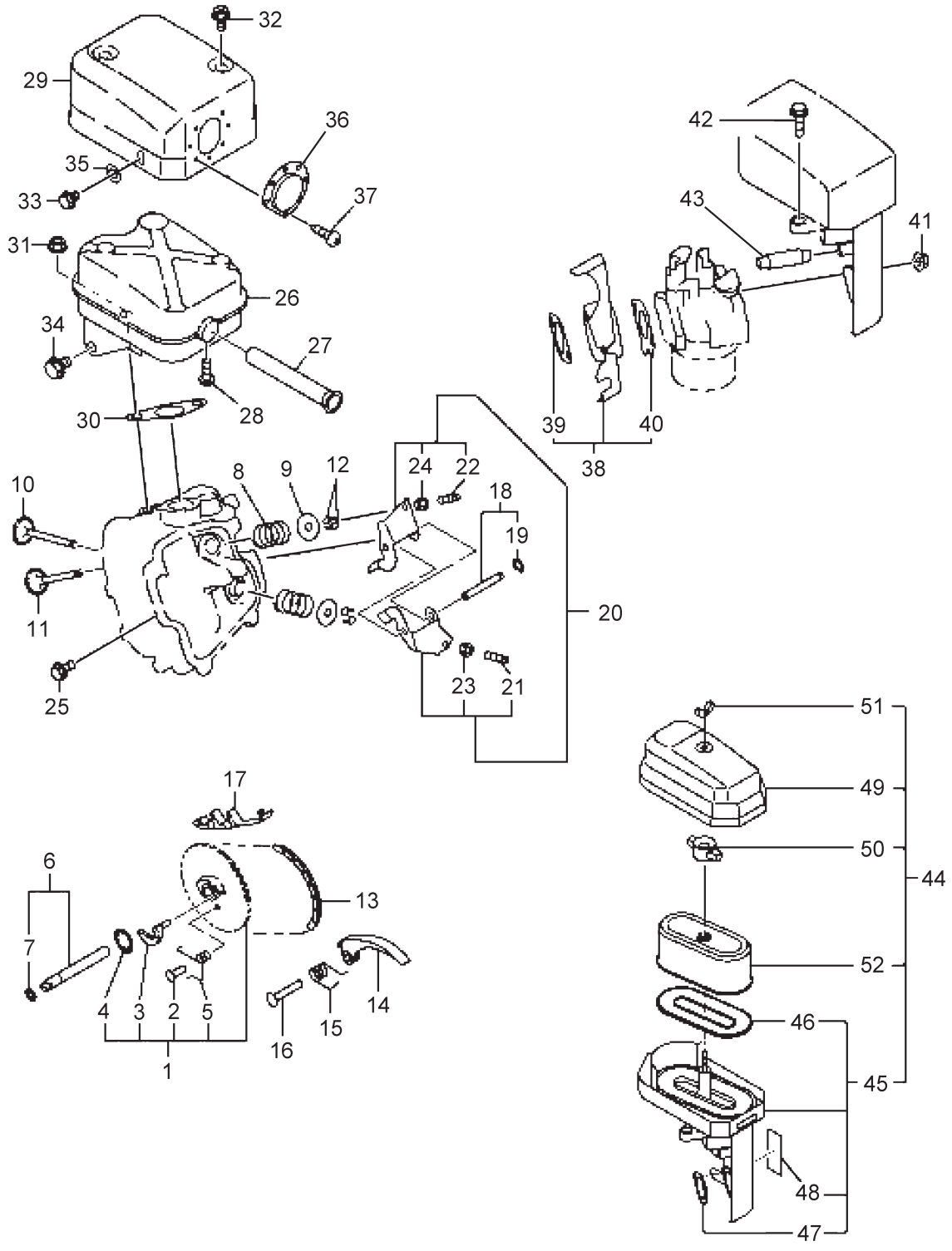
Ref. No.	Parts No.	Parts Name	Q'ty			Remarks
			4600	6500	8500	
6-1	132690	Engine	1			EX170DM3460
6-2	426289	Crankcase Comp	1			Incl.3-6
6-3	647454	Oil Seal	1			
6-4	647455	Bearing	1			
6-5	647456	Pipe Knock	2			
6-6	647458	Oil Seal	1			
6-7	417108	Cylinder Head Comp	1			Incl.8-11
6-8	627981	Valve Guide	2			
6-9	647453	Stem Seal	1			
6-10	582498	Stud	2			
6-11	647457	Stud	2			
6-12	998006	Plug	2			
6-13	998005	Gasket	2			
6-14	426290	Main Bearing Cover C	1			Incl.15,16
6-15	647460	Oil Seal	1			
6-16	417040	Bearing	1			
6-17	417041	Governor Gear Comp	1			
6-18	417042	Governor Sleeve	1			
6-19	417044	Oil Ggauge Ass'y	2			Incl.20
6-20	417043	Gasket	2			
6-21	647466	Bolt	6			
6-22	420120	Gasket	1			
6-23	647469	Bolt	4			
6-24	647470	Bolt	1			
6-25	417047	Rocker Cover Comp	1			
6-26	647472	Gasket	1			
6-27	647456	Pipe Knock	2			
6-28	997940	Bolt	4			
6-29	426049	Gasket Set	1			

7. MSW4600
ENGINE (Crank Shaft, Piston)



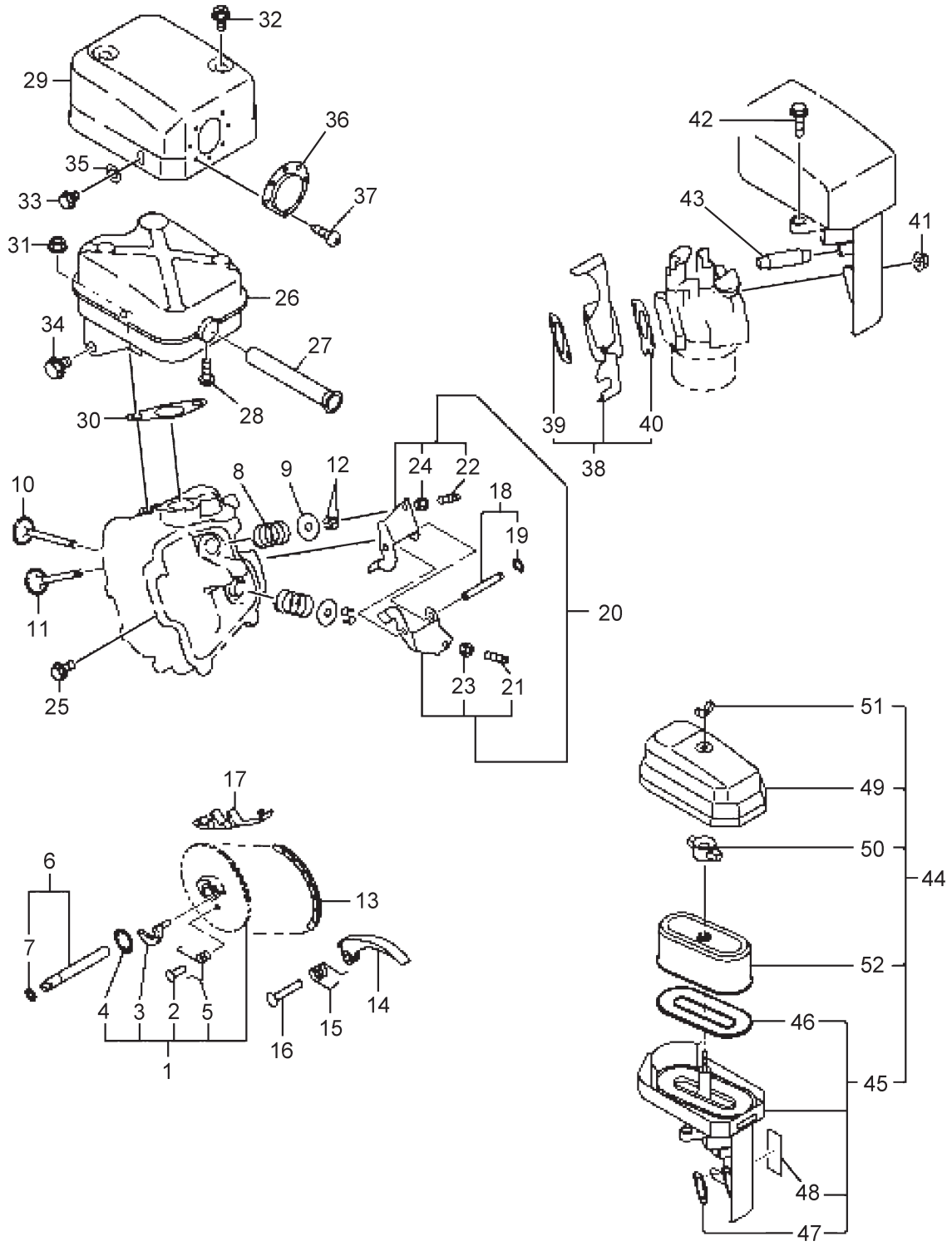
Ref. No.	Parts No.	Parts Name	Q'ty			Remarks
			4600	6500	8500	
7-1	420122	Crankshaft Comp	1			
7-2	647475	Nut	1			
7-3	998021	Woodruff Key	1			
7-4	417112	Connecting Rod Ass'y	1			Incl.5
7-4	417113	Connecting Rod Ass'y	1			Incl.5 US0.25
7-5	647480	Connecting Rod Bolt	2			
7-6	417114	Piston Pin	1			
7-7	417115	Piston	1			STD
7-7	417116	Piston	1			OS0.25
7-7	417117	Piston	1			OS0.50
7-8	426050	Piston Ring Set	1			STD
7-8	417119	Piston Ring Set	1			OS0.25
7-8	417120	Piston Ring Set	1			OS0.50
7-9	998034	Clip	2			

8. MSW4600
ENGINE (Air Cleaner, Muffler)



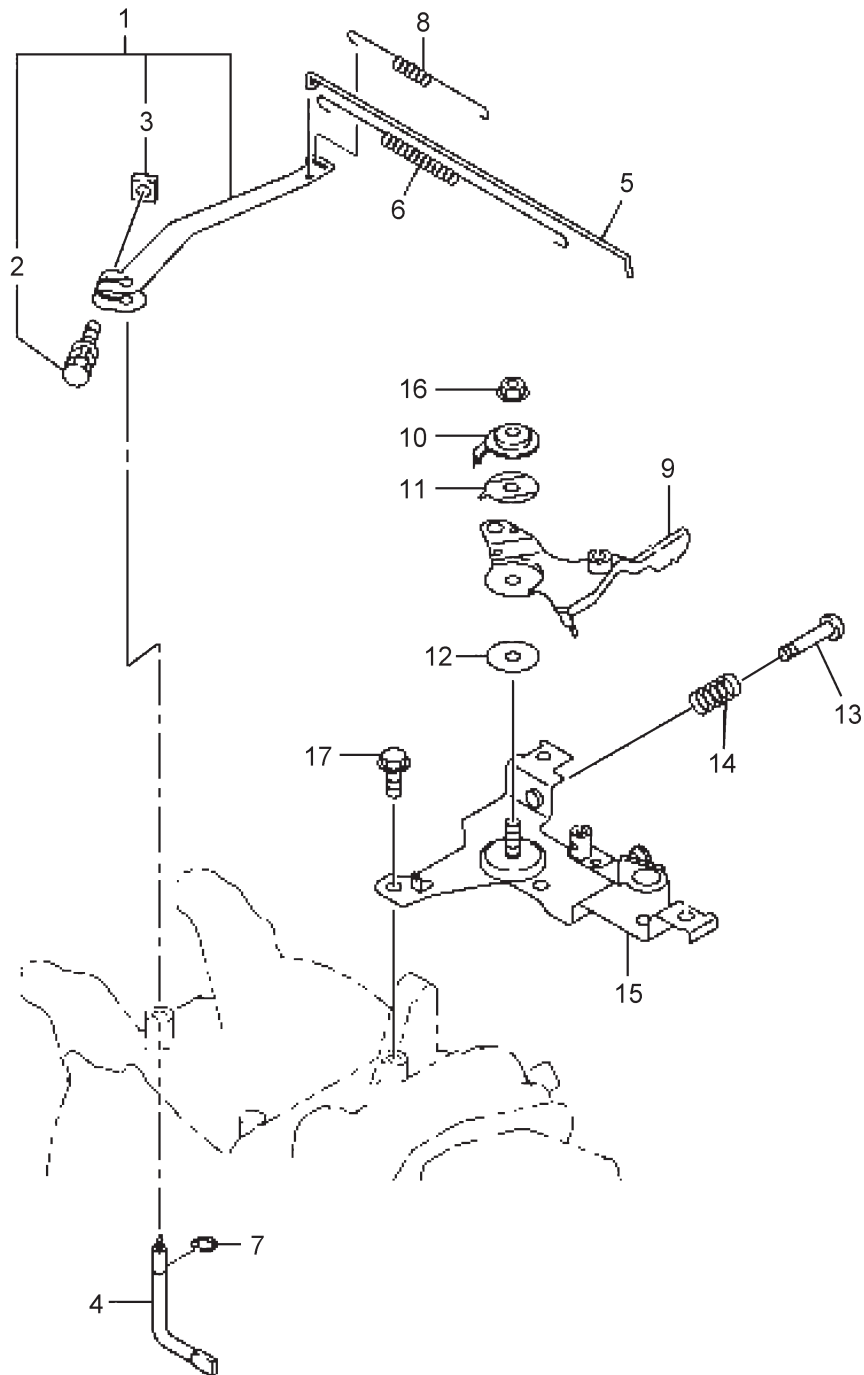
Ref. No.	Parts No.	Parts Name	Q'ty			Remarks
			4600	6500	8500	
8-1	420127	Cam Shaft Comp	1			Incl.2-5
8-2	647491	Spring Pin	1			
8-3	647492	Release Lever	1			
8-4	647493	Clip	1			
8-5	647494	Return Spring	1			
8-6	417061	Pin Comp	1			Incl.7
8-7	417062	O-Ring	1			
8-8	647495	Valve Spring	2			
8-9	644011	Spring Retainer	2			
8-10	647496	Intake Valve	1			
8-11	647497	Exhaust Valve	1			
8-12	644010	Collet Valve	4			
8-13	417123	Timing Chain Comp	1			
8-14	426051	Tentioner	1			
8-15	647500	Spring	1			
8-16	647501	Pin	1			Incl.19
8-17	426052	Chain Guide	1			
8-18	417067	Pin Comp	1			
8-19	641764	Clip	1			
8-20	420128	Rocker Arm Ass'y Set	1			
8-21	647506	Adjust Screw	1			
8-22	647506	Adjust Screw	1			
8-23	647507	Nut	1			
8-24	647507	Nut	1			
8-25	997940	Bolt	1			
8-26	420129	Muffler Comp	1			
8-27	426291	Spark Arrester Comp	1			
8-28	647516	Tapping Screw	1			
8-29	426053	Muffler Cover Comp	1			
8-30	647511	Gasket	1			
8-31	997954	Nut	2			
8-32	647513	Tapping Bolt	2			
8-33	997943	Bolt	1			
8-34	647514	Bolt	1			
8-35	420130	Washer	1			Incl.39,40
8-36	417070	Screen Comp	1			
8-37	647516	Tapping Screw	2			
8-38	426054	Insulator Comp	1			
8-39	426055	Gasket	1			
8-40	426056	Gasket	1			DUAL Incl.45-52 Incl.46-48
8-41	582587	Nut	2			
8-42	417071	Bolt	1			
8-43	417072	Breather Pipe	1			
8-44	426057	Air Cleaner Ass'y	1			
8-45	420132	Base Comp	1			

8. MSW4600
ENGINE (Air Cleaner, Muffler)



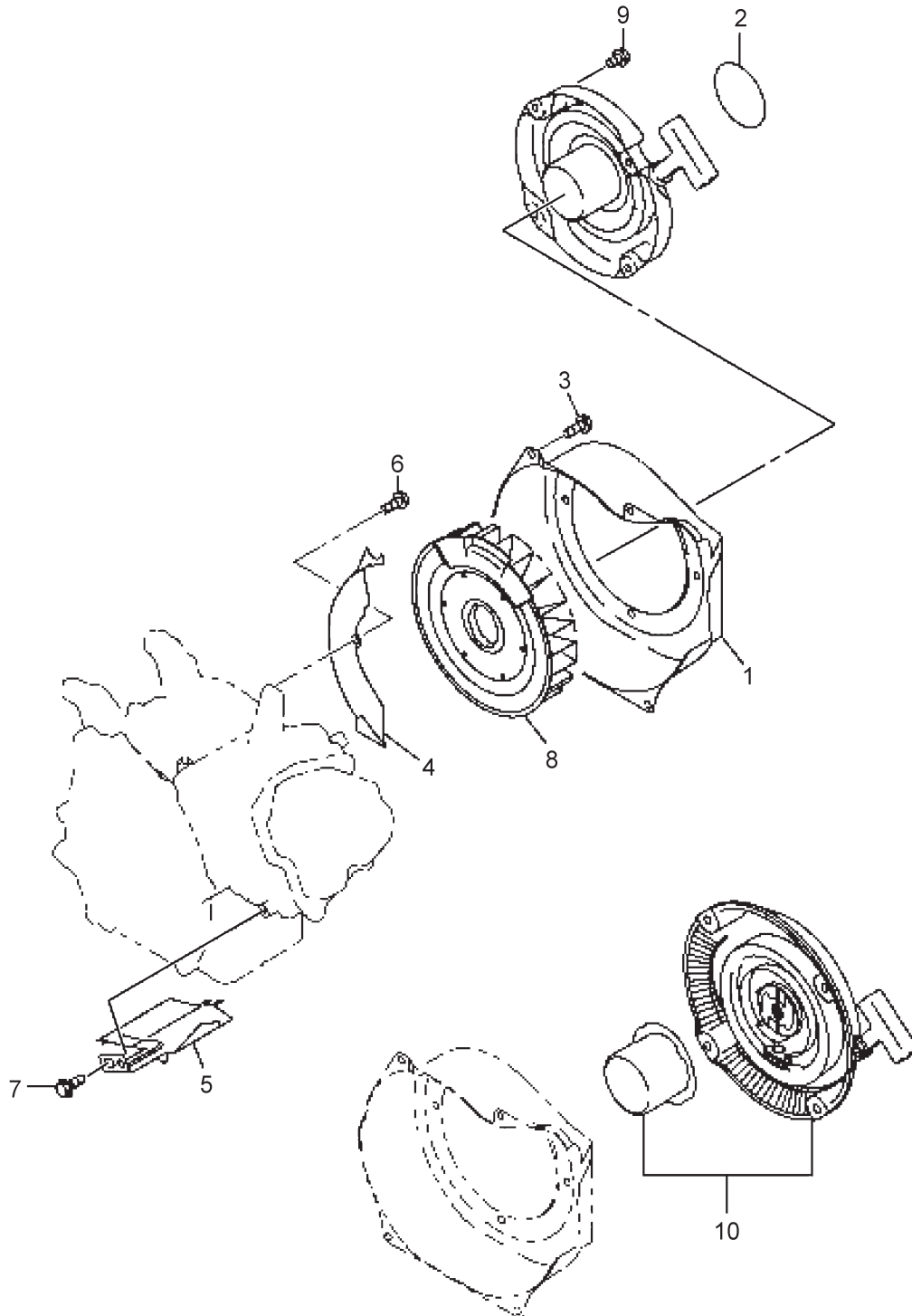
Ref. No.	Parts No.	Parts Name	Q'ty			Remarks
			4600	6500	8500	
8-46	647523	Packing	1			
8-47	647524	Packing	1			
8-48	647526	Label	1			
8-49	647525	Cover Comp	1			
8-50	420133	Wing Nut	1			
8-51	426058	Wing Nut	1			
8-52	647589	Element Set	1			

9. MSW4600
ENGINE (Governor)



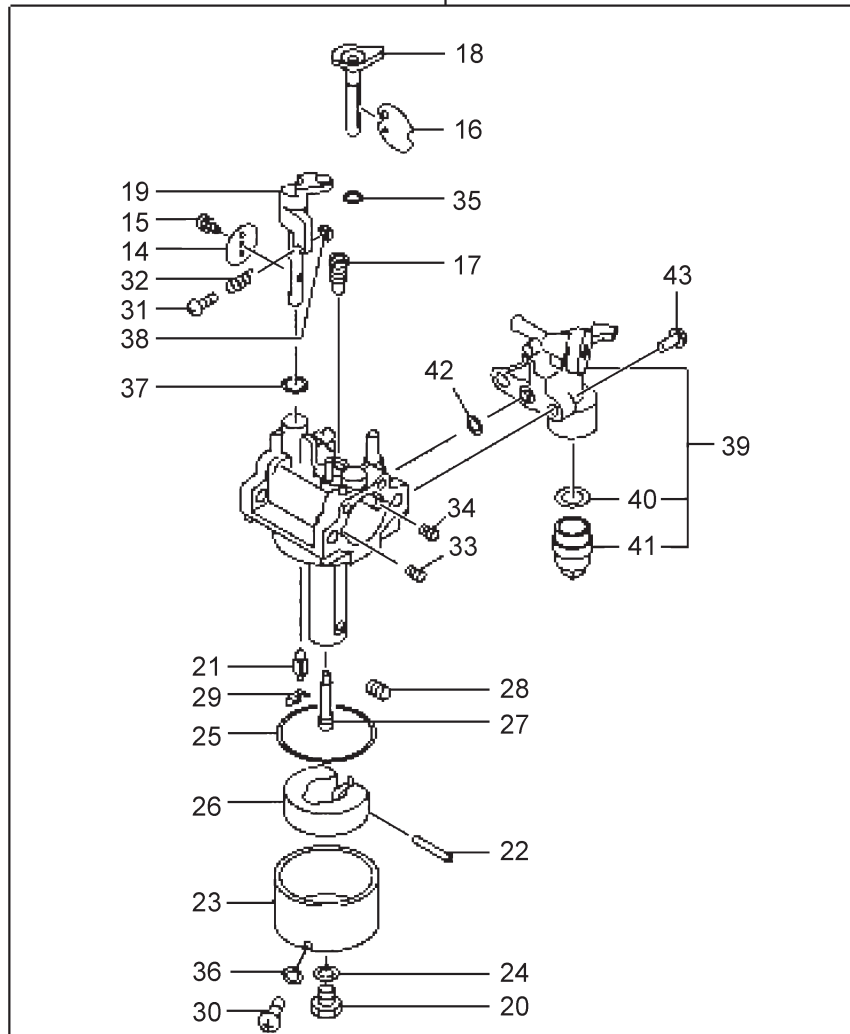
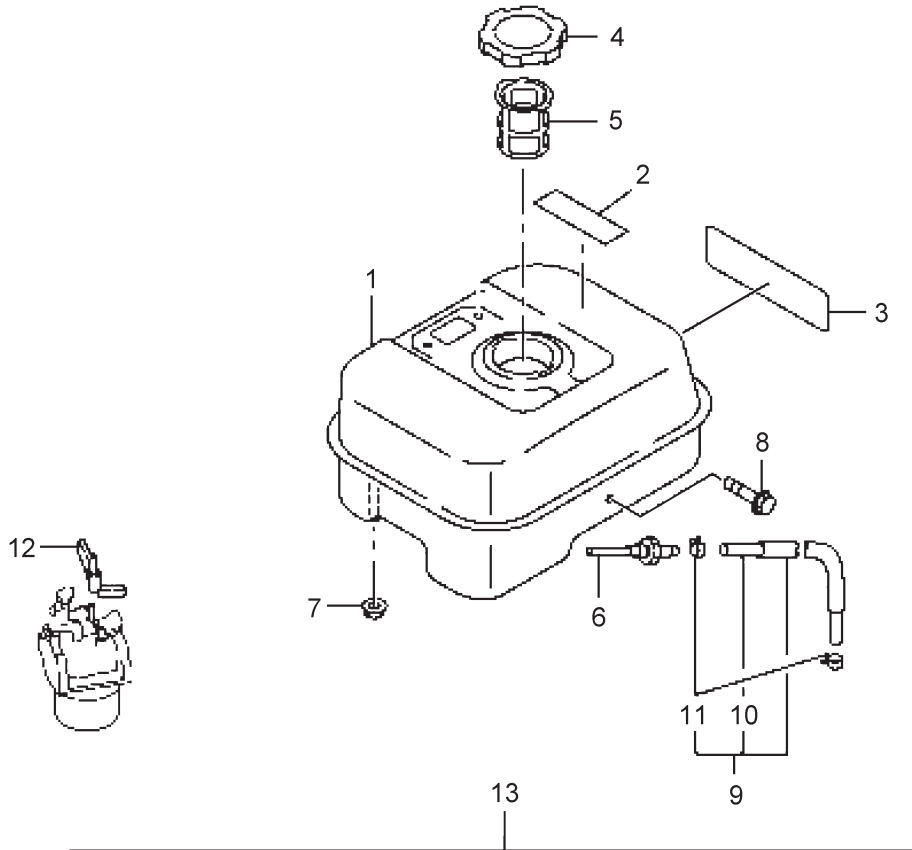
Ref. No.	Parts No.	Parts Name	Q'ty			Remarks
			4600	6500	8500	
9-1	417077	Governor Lever Ass'y	1			Incl.2,3
9-2	997967	Bolt	1			
9-3	997968	Nut	1			
9-4	647530	Governor Shaft	1			
9-5	417126	Governor Rod	1			
9-6	647532	Rod Spring	1			
9-7	641764	Clip	1			
9-8	417079	Governor Spring	1			
9-9	417080	Speed Control Lever	1			
9-10	647538	Stop Plate	1			
9-11	647539	Washer	1			
9-12	647540	Friction Washer	1			
9-13	999965	Screw	1			
9-14	647541	Spring	1			
9-15	417081	Bracket	1			
9-16	647546	Self Lock Nut	1			
9-17	997940	Bolt	2			

10. MSW4600
ENGINE (Recoil Starter)



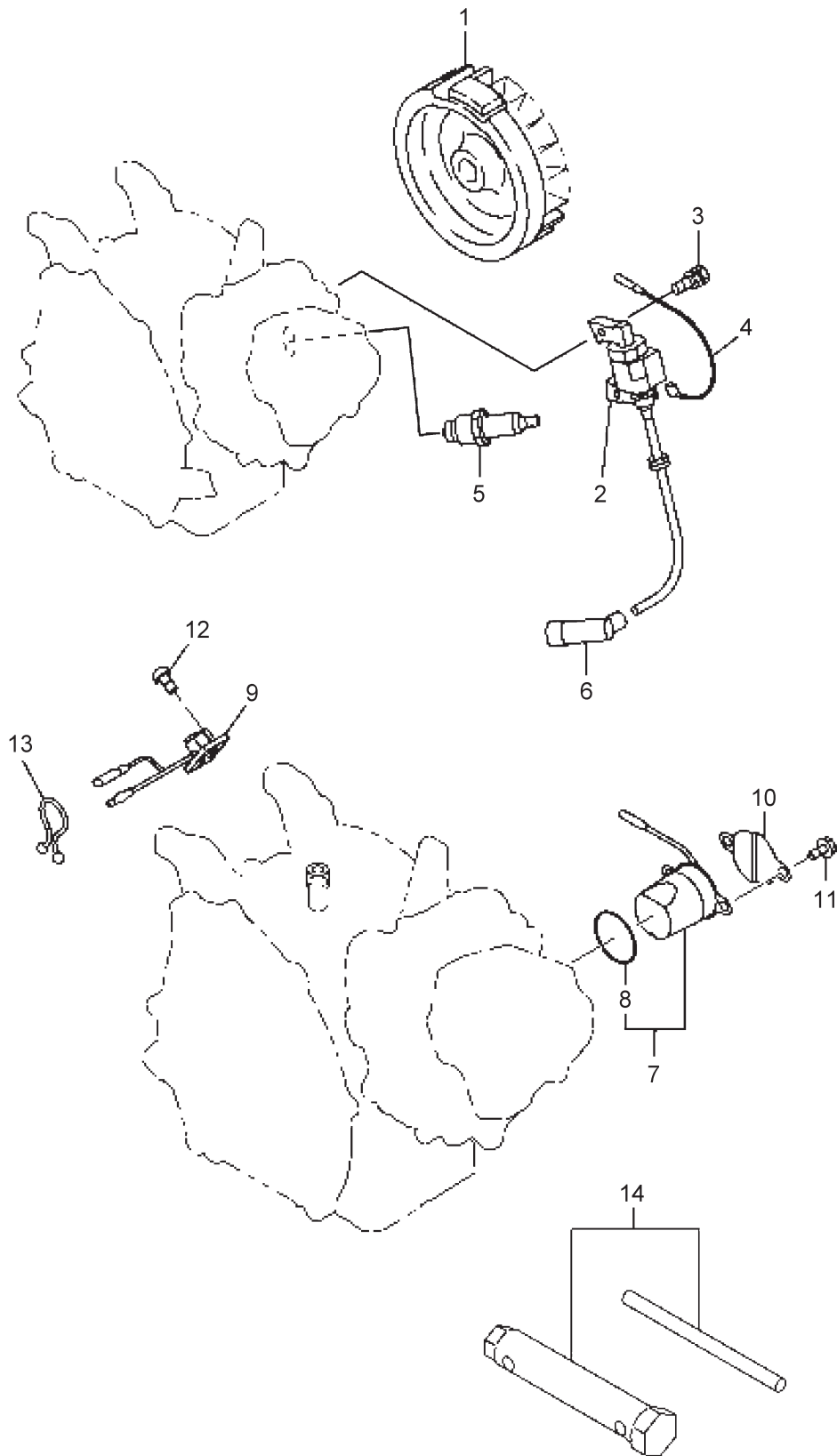
Ref. No.	Parts No.	Parts Name	Q'ty			Remarks
			4600	6500	8500	
10-1	423499	Blower Housing Comp	1			TRADE MARK
10-2	426059	Label	1			
10-3	582563	Flange Bolt	4			
10-4	420136	Baffle Comp	1			
10-5	647549	Baffle	1			
10-6	647551	Flange Bolt	1			
10-7	997940	Bolt	1			
10-8	420137	Cooling Blower	1			
10-9	582563	Flange Bolt	4			
10-10	420138	Recoil Starter Ass'y	1			

11. MSW4600
ENGINE (Fuel Tank, Carburetor)



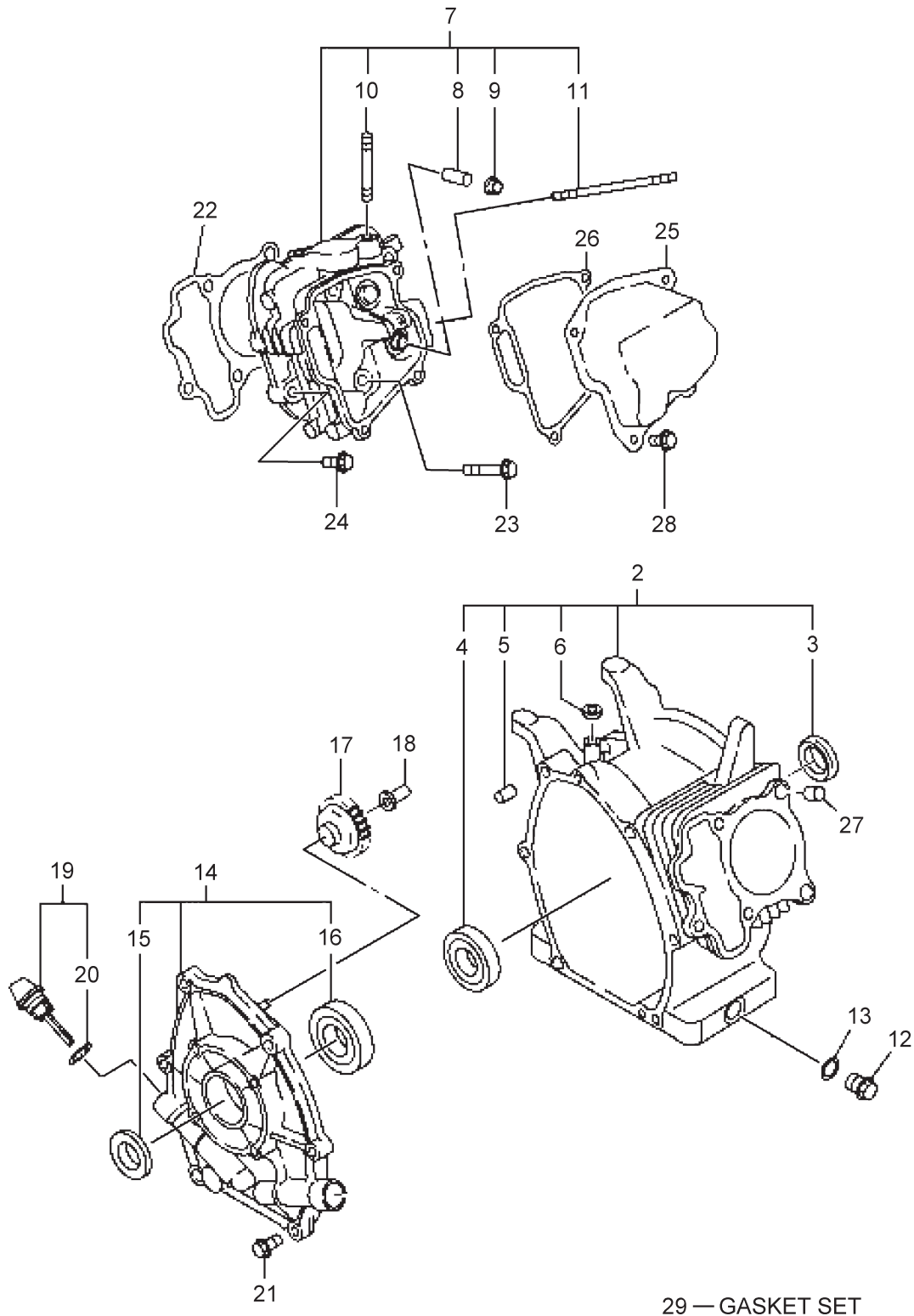
Ref. No.	Parts No.	Parts Name	Q'ty			Remarks
			4600	6500	8500	
11-1	423505	Fuel Tank Comp	1			
11-2	426313	Label	1			WARNING
11-3	426060	Label	1			EX17
11-4	426314	Fuel Tank Cap Comp	1			
11-5	647560	Fuel Filter	1			
11-6	417137	Union	1			
11-7	582587	Nut	2			
11-8	628036	Flange Bolt	1			
11-9	426061	Fuel Pipe Comp	1			Incl.10,11
11-10	426062	Rubber Pipe	1			
11-11	420144	Hose Clamp	2			
11-12	647582	Choke Lever Comp	1			
11-13	420145	Carburetor Ass'y	1			Incl.14-43
11-14	647566	Throttle Valve	1			
11-15	641980	Screw	1			
11-16	647567	Choke Valve	1			
11-17	639062	Pilot Jet	1			
11-18	647569	Choke Lever	1			
11-19	647570	Throttle Shaft-A	1			
11-20	597786	Bolt	1			
11-21	647571	Needle	1			
11-22	647572	Pin	1			
11-23	647573	Float Body Ass'y	1			
11-24	583876	Packing	1			
11-25	583877	Chamber Packing	1			
11-26	583878	Float AY	1			
11-27	417142	Main Nozzle	1			
11-28	420146	Main Jet	1			
11-29	639066	Clip	1			
11-30	647576	Screw	1			
11-31	582613	Screw	1			
11-32	417098	Spring	1			
11-33	631248	Air Jet	1			
11-34	647577	Air Jet	1			
11-35	628080	Seal	1			
11-36	647578	Packing	1			
11-37	647579	Seal	1			
11-38	417099	Nut	1			
11-39	417100	Cock Body A	1			Incl.40,41
11-40	417101	Packing	1			
11-41	417102	Cup	1			
11-42	417103	O-Ring	1			
11-43	417104	Screw	2			

12. MSW4600
ENGINE (Electrical Parts, Accessories)



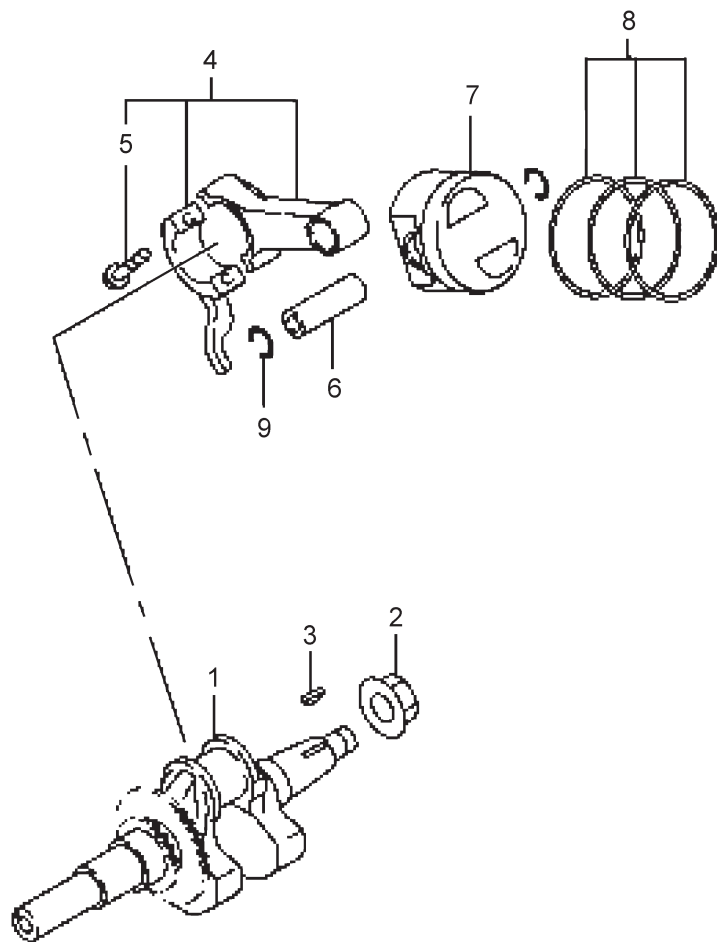
Ref. No.	Parts No.	Parts Name	Q'ty			Remarks
			4600	6500	8500	
12-1	420147	Flywheel Comp	1			
12-2	420148	Ignition Coil Comp	1			
12-3	417071	Flange Bolt	2			
12-4	647585	Wire Comp	1			
12-5	647586	Spark Plug	1			NGK BR6HS
12-6	420149	Spark Plug Cap	1			
12-7	426315	Oil Sensor Comp	1			Incl.8
12-8	426316	O-Ring	1			P30
12-9	426317	Float	1			
12-10	426318	Shield Plate	1			
12-11	417085	Flange Bolt	2			
12-12	640047	Tapping Screw	2			
12-13	426319	Purse Lock	1			
12-14	420150	Accessory Tool Kit	1			

13. MSW6500
ENGINE (Crankcase, Cylinder Head)



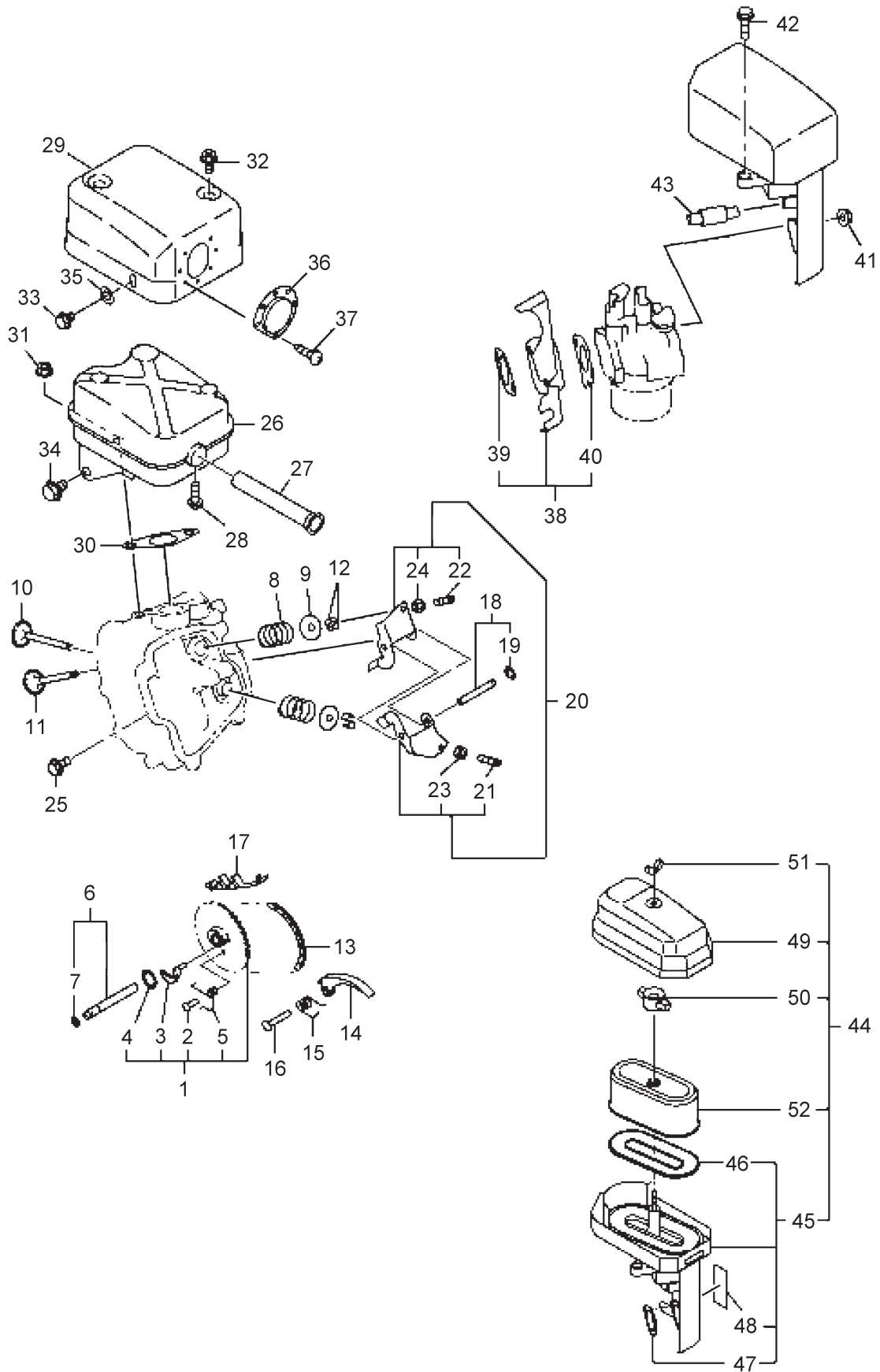
Ref. No.	Parts No.	Parts Name	Q'ty			Remarks
			4600	6500	8500	
13-1	132661	Engine		1		EX210DM2480
13-2	426320	Crankcase Comp		1		Incl.3-6
13-3	647454	Oil Seal		1		
13-4	647455	Bearing		1		
13-5	647456	Pipe Knock		2		
13-6	647458	Oil Seal		1		
13-7	647467	Cylinder Head Comp		1		Incl.8-11
13-8	627981	Valve Guide		2		
13-9	647453	Stem Seal		1		
13-10	582498	Stud		2		
13-11	647457	Stud		2		
13-12	998006	Plug		2		
13-13	998005	Gasket		2		
13-14	426290	Main Bearing Cover C		1		Incl.15,16
13-15	647460	Oil Seal		1		
13-16	417040	Bearing		1		
13-17	417041	Governor Gear Comp		1		
13-18	417042	Governor Sleeve		1		
13-19	417044	Oil Ggauge Ass'y		2		Incl.20
13-20	417043	Gasket		2		
13-21	647466	Bolt		6		
13-22	420120	Gasket		1		
13-23	647469	Flange Bolt		4		
13-24	647470	Flange Bolt		1		
13-25	417047	Rocker Cover Comp		1		
13-26	647472	Gasket		1		
13-27	647456	Pipe Knock		2		
13-28	997940	Flange Bolt		4		
13-29	426049	Gasket Set		1		

14. MSW6500
ENGINE (Crank Shaft, Piston)



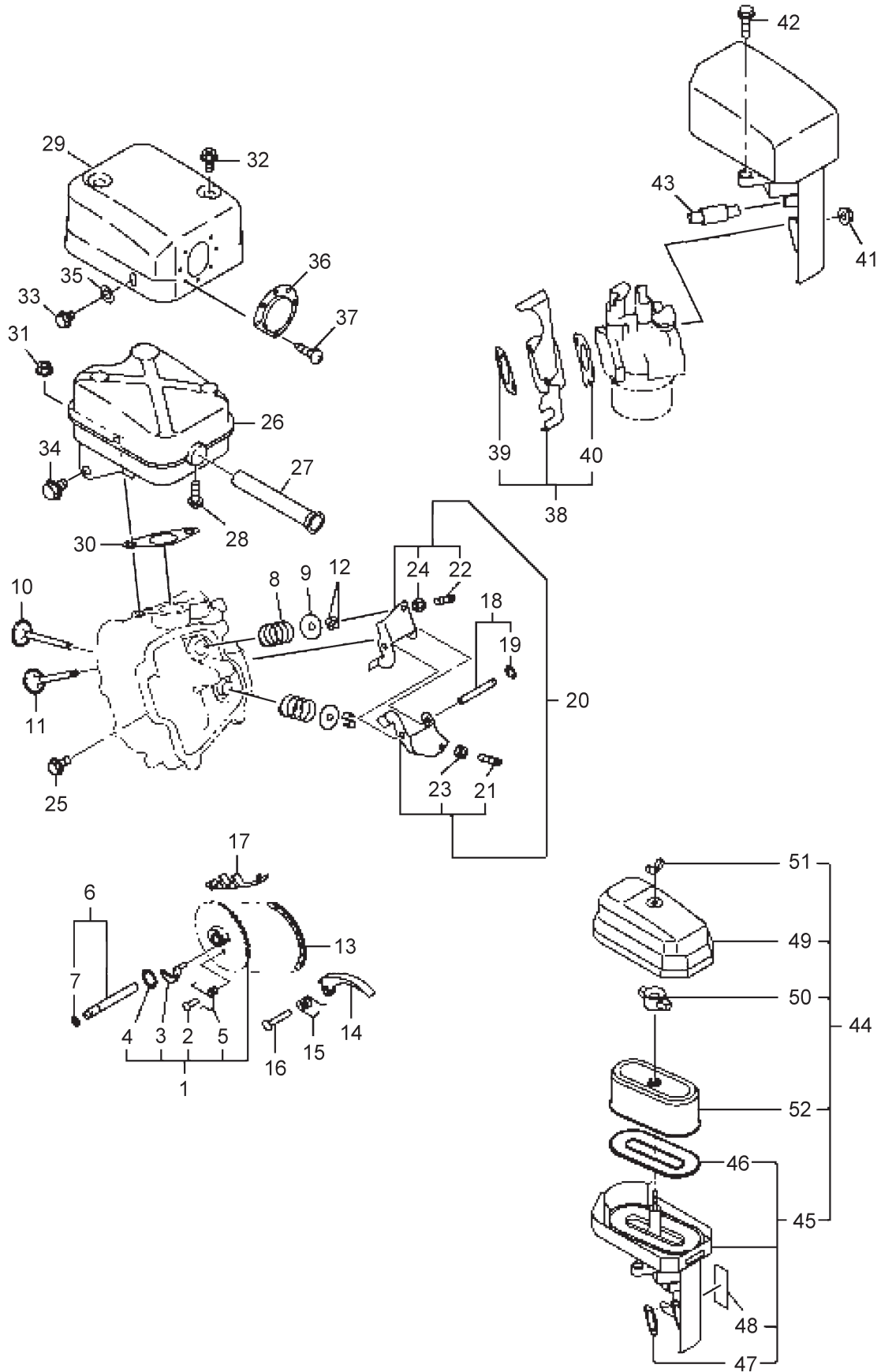
Ref. No.	Parts No.	Parts Name	Q'ty			Remarks
			4600	6500	8500	
14-1	426321	Crankshaft Comp		1		
14-2	647475	Nut		1		
14-3	998021	Woodruff Key		1		
14-4	647478	Connecting Rod Ass'y		1		Incl.5 STD
14-4	647479	Connecting Rod Ass'y		1		Incl.5 US0.25
14-5	647480	Connecting Rod Bolt		2		
14-6	417114	Piston Pin		1		
14-7	417115	Piston		1		STD
14-7	417116	Piston		1		OS0.25
14-7	417117	Piston		1		OS0.50
14-8	426050	Piston Ring Set		1		STD
14-8	417119	Piston Ring Set		1		OS0.25
14-8	417120	Piston Ring Set		1		OS0.50
14-9	998034	Clip		2		

15. MSW6500
ENGINE (Air Cleaner, Muffler)



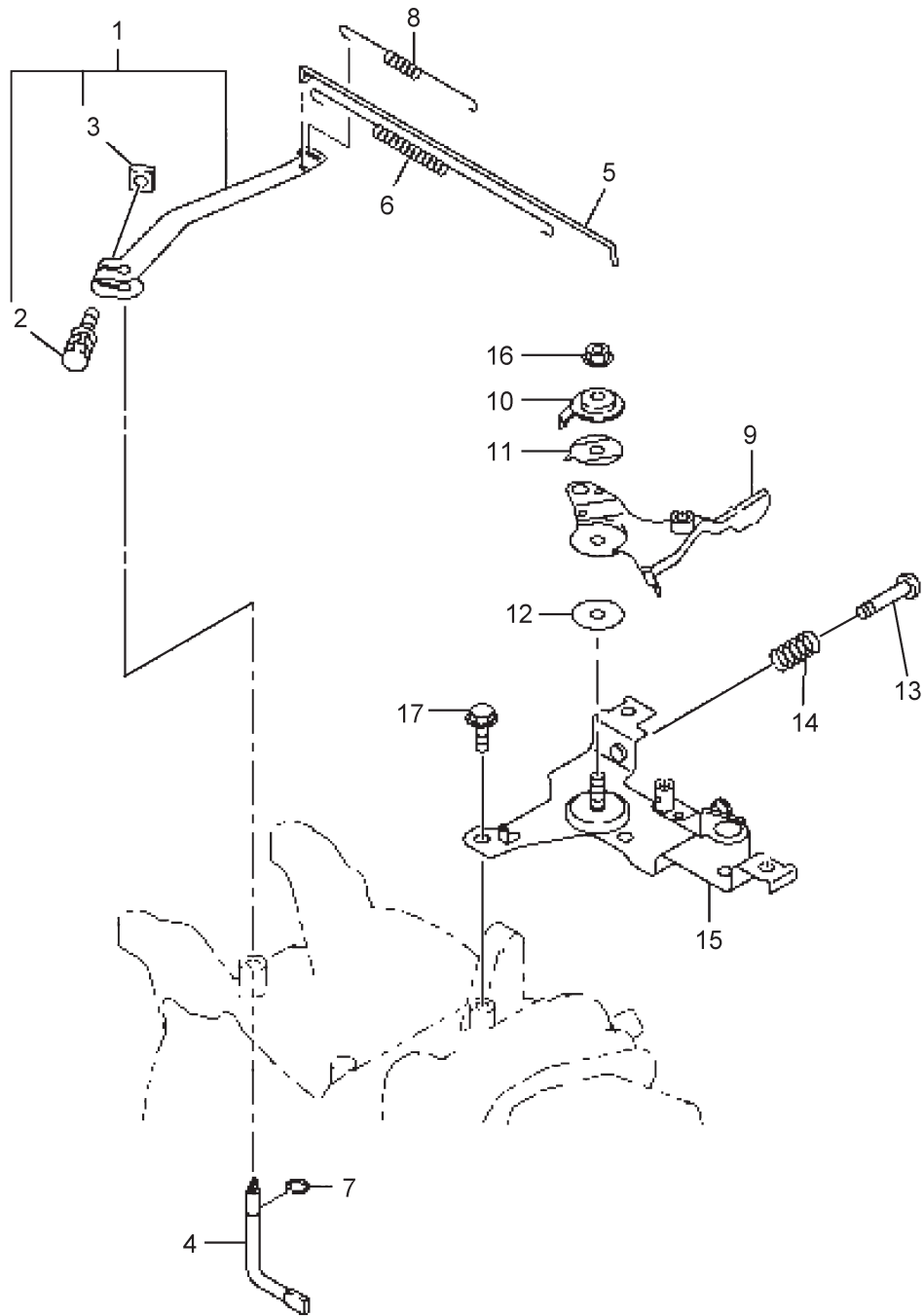
Ref. No.	Parts No.	Parts Name	Q'ty			Remarks
			4600	6500	8500	
15-1	420127	Cam Shaft Comp		1		Incl.2-5
15-2	647491	Spring Pin		1		
15-3	647492	Release Lever		1		
15-4	647493	Clip		1		
15-5	647494	Return Spring		1		
15-6	417061	Pin Comp		1		Incl.7
15-7	417062	O-Ring		1		
15-8	647495	Valve Spring		2		
15-9	644011	Spring Retainer		2		
15-10	647496	Intake Valve		1		
15-11	647497	Exhaust Valve		1		
15-12	644010	Collet Valve		4		
15-13	426064	Timing Chain Comp		1		
15-14	426051	Tentioner		1		
15-15	647500	Spring		1		
15-16	647501	Pin		1		Incl.19
15-17	426052	Chain Guide		1		
15-18	417067	Pin Comp		1		
15-19	641764	Clip		1		
15-20	420128	Rocker Arm Ass'y Set		1		
15-21	647506	Adjust Screw		1		
15-22	647506	Adjust Screw		1		
15-23	647507	Nut		1		
15-24	647507	Nut		1		
15-25	997940	Flange Bolt		1		
15-26	420129	Muffler Comp		1		
15-27	426291	Spark Arrester Comp		1		
15-28	647516	Tapping Screw		1		
15-29	426053	Muffler Cover Comp		1		
15-30	647511	Gasket		1		
15-31	997954	Nut		2		
15-32	647513	Tapping Bolt		2		
15-33	997943	Flange Bolt		1		
15-34	647514	Flange Bolt		1		
15-35	420130	Washer		1		
15-36	417070	Screen Comp		1		Incl.39,40
15-37	647516	Tapping Screw		2		
15-38	426054	Insulator Comp		1		
15-39	426055	Gasket		1		
15-40	426056	Gasket		1		
15-41	582587	Flange Nut		2		Incl.45-52 DUAL Incl.46-48
15-42	417071	Flange Bolt		1		
15-43	417072	Breather Pipe		1		
15-44	426057	Air Cleaner Ass'y		1		
15-45	420132	Base Comp		1		

15. MSW6500
ENGINE (Air Cleaner, Muffler)



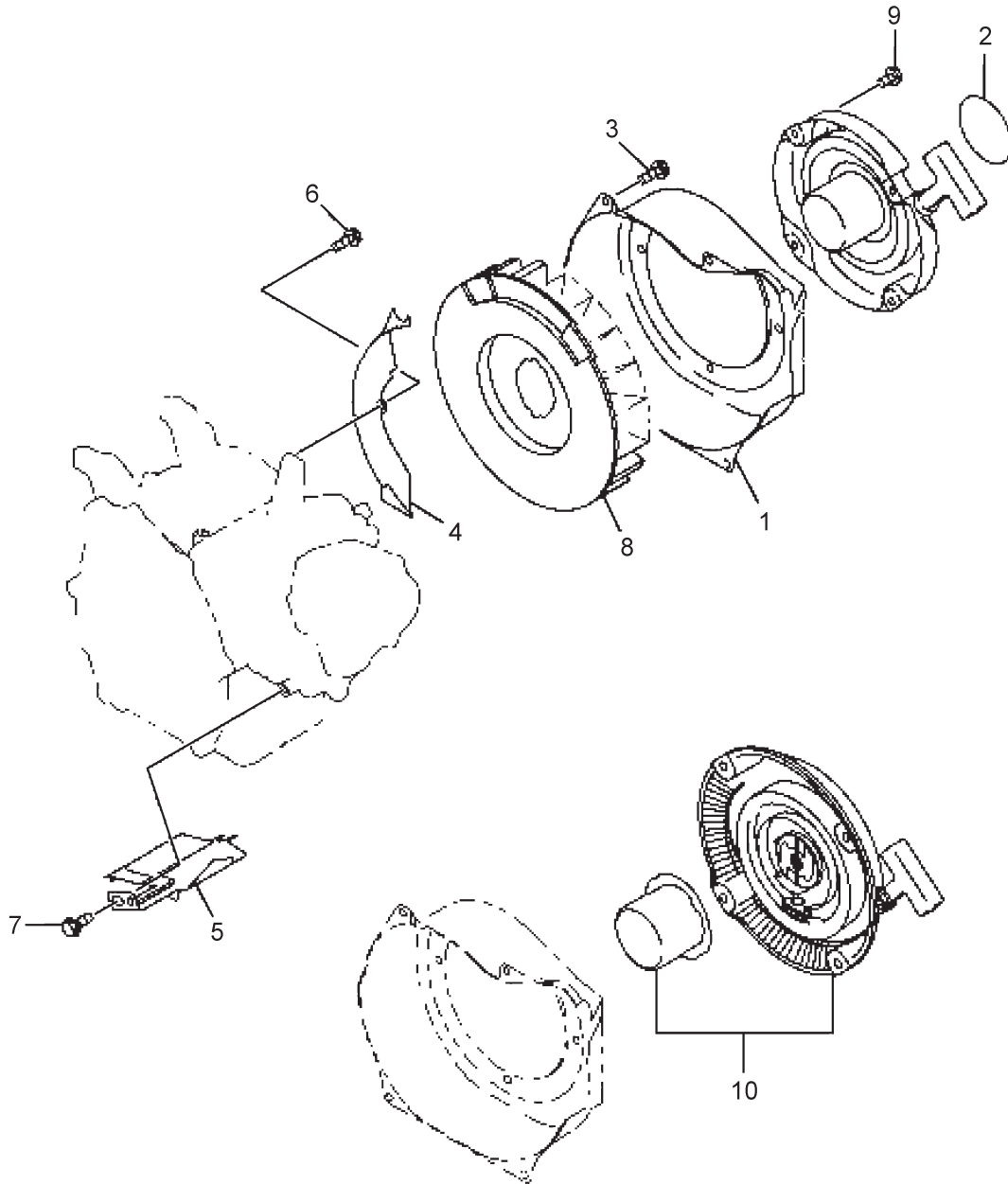
Ref. No.	Parts No.	Parts Name	Q'ty			Remarks
			4600	6500	8500	
15-46	647523	Packing		1		
15-47	647524	Packing		1		
15-48	647526	Label		1		
15-49	647525	Cover Comp		1		
15-50	420133	Wing Nut		1		
15-51	426058	Wing Nut		1		
15-52	647589	Element Set		1		DUAL

16. MSW6500
ENGINE (Governor)



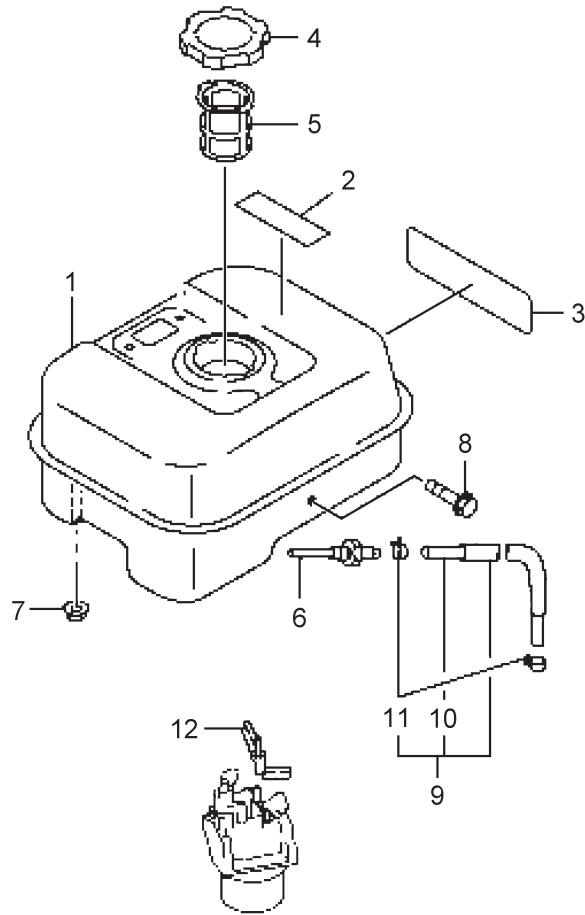
Ref. No.	Parts No.	Parts Name	Q'ty			Remarks
			4600	6500	8500	
16-1	417077	Governor Lever Ass'y		1		Incl.2,3
16-2	997967	Bolt AY		1		
16-3	997968	Nut		1		
16-4	647530	Governor Shaft		1		
16-5	417126	Governor Rod		1		
16-6	647532	Rod Spring		1		
16-7	641764	Clip		1		
16-8	417079	Governor Spring		1		
16-9	417080	Speed Control Lever		1		
16-10	647538	Stop Plate		1		
16-11	647539	Washer		1		
16-12	647540	Friction Washer		1		
16-13	999965	Screw		1		
16-14	647541	Spring		1		
16-15	417081	Bracket		1		
16-16	647546	Self Lock Nut		1		
16-17	997940	Flange Bolt		2		

17. MSW6500
ENGINE (Recoil Starter)



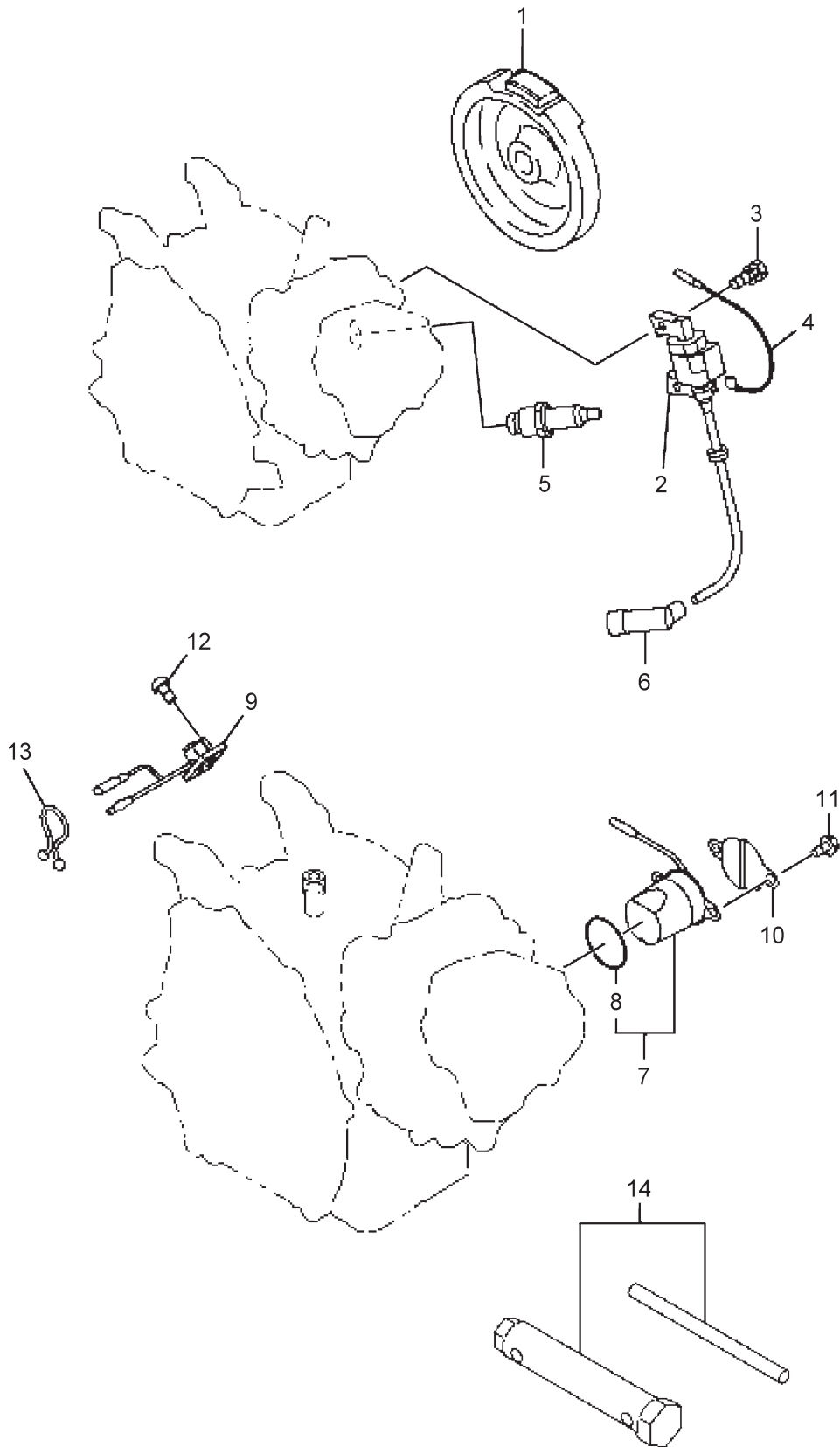
Ref. No.	Parts No.	Parts Name	Q'ty			Remarks
			4600	6500	8500	
17-1	426065	Blower Housing Comp		1		TRADE MARK
17-2	426059	Label		1		
17-3	582563	Flange Bolt		4		
17-4	420136	Baffle Comp		1		
17-5	647549	Baffle		1		
17-6	647551	Flange Bolt		1		
17-7	997940	Flange Bolt		1		
17-8	426066	Cooling Blower		1		
17-9	582563	Flange Bolt		4		
17-10	426067	Recoil Starter Ass'y		1		

18. MSW6500
ENGINE (Fuel Tank, Carburetor)



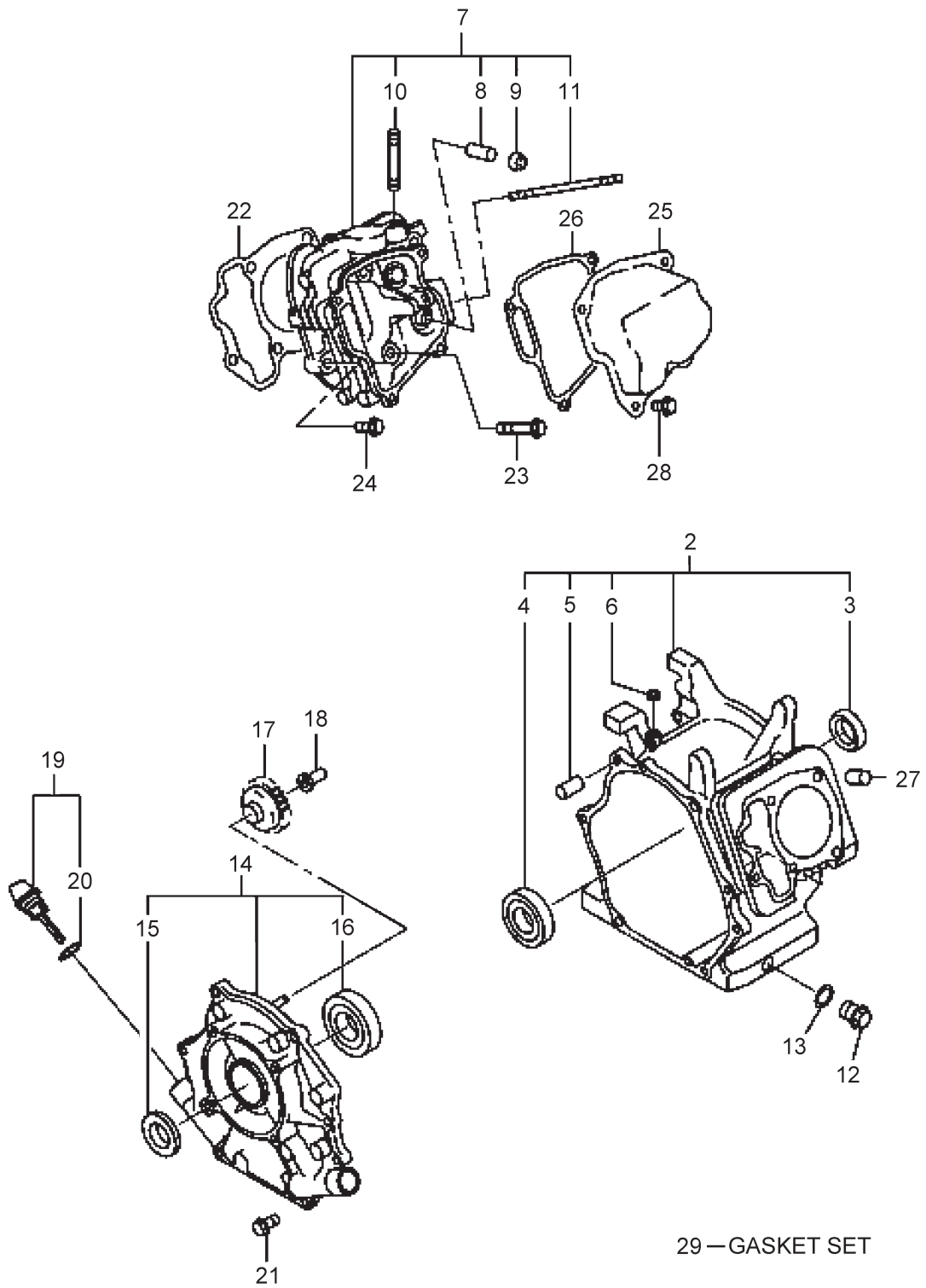
Ref. No.	Parts No.	Parts Name	Q'ty			Remarks
			4600	6500	8500	
18-1	423505	Fuel Tank Comp		1		
18-2	426313	Label		1		WARNING
18-3	426068	Label		1		EX21
18-4	426314	Fuel Tank Cap Comp		1		
18-5	647560	Fuel Filter		1		
18-6	417137	Union		1		
18-7	582587	Flange Nut		2		
18-8	628036	Flange Bolt		1		
18-9	426069	Fuel Pipe Comp		1		Incl.10,11
18-10	426070	Rubber Pipe		1		
18-11	420144	Hose Clamp		2		
18-12	647582	Choke Lever Comp		1		

19. MSW6500
ENGINE (Electrical Parts, Accessories)



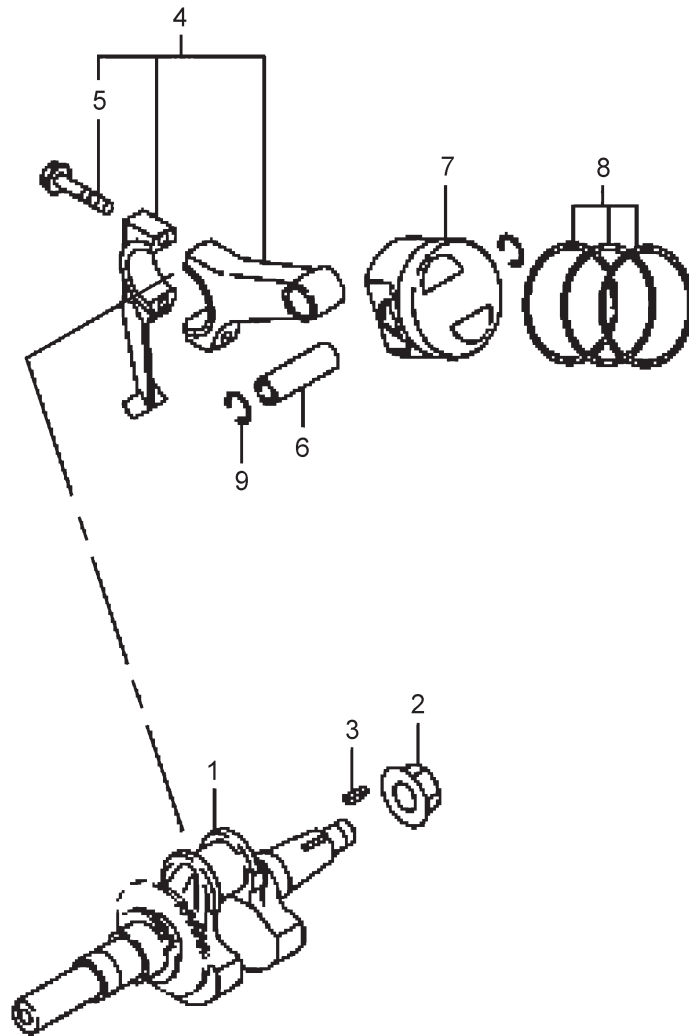
Ref. No.	Parts No.	Parts Name	Q'ty			Remarks
			4600	6500	8500	
19-1	420147	Flywheel Comp		1		
19-2	420148	Ignition Coil Comp		1		
19-3	417071	Flange Bolt		2		
19-4	647585	Wire Comp		1		
19-5	647586	Spark Plug		1		NGK BR6HS
19-6	420149	Spark Plug Cap		1		
19-7	426315	Oil Sensor Comp		1		Incl.8
19-8	426316	O-Ring		1		P30
19-9	426317	Float		1		
19-10	426318	Shield Plate		1		
19-11	417085	Flange Bolt		2		
19-12	640047	Tapping Screw		2		
19-13	426319	Purse Lock		1		
19-14	420150	Accessory Tool Kit		1		

20. MSW8500
ENGINE (Crankcase, Cylinder Head)



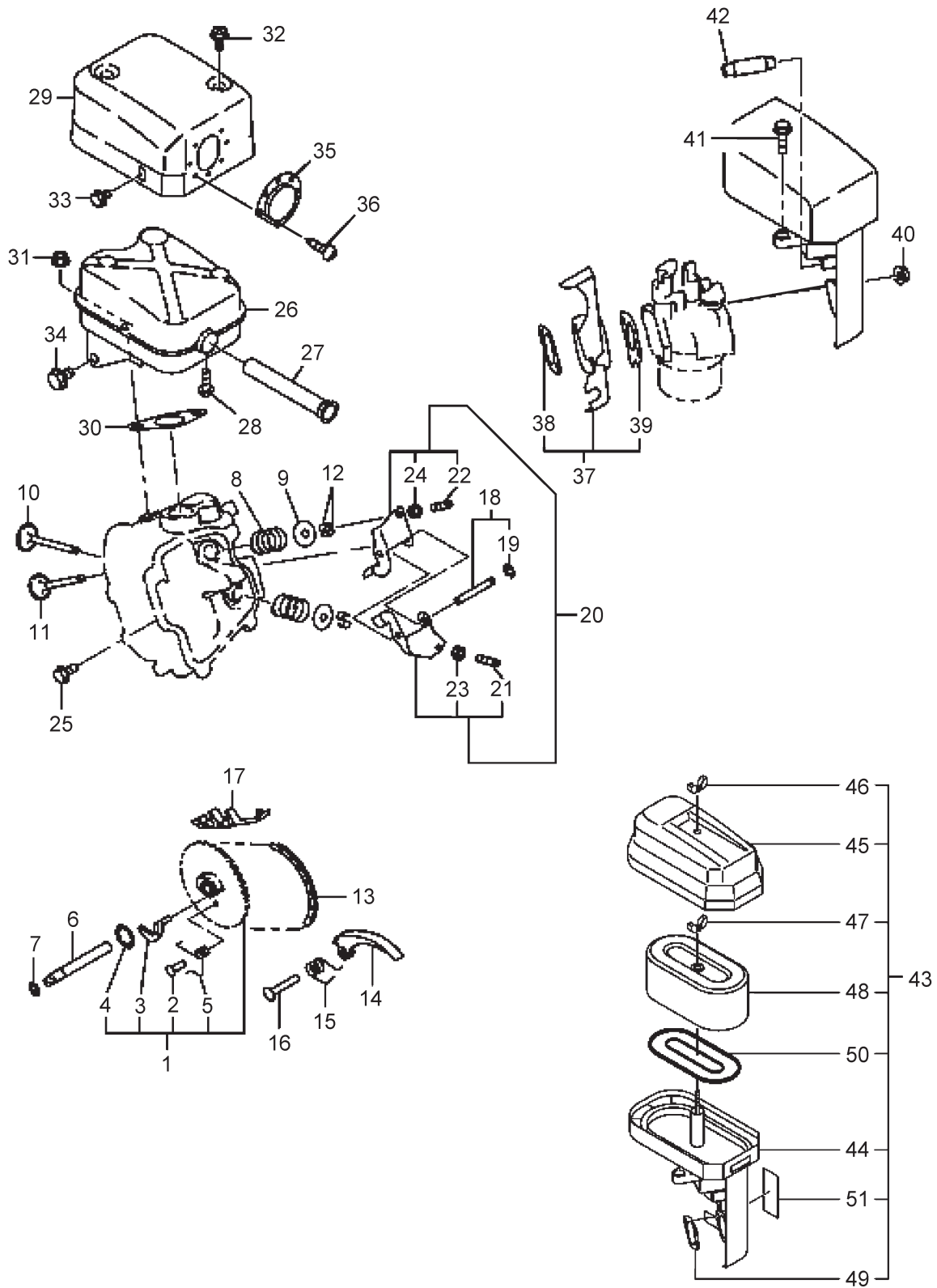
Ref. No.	Parts No.	Parts Name	Q'ty			Remarks
			4600	6500	8500	
20-1	132668	Engine			1	EX270DM5180
20-2	426420	Crankcase Comp			1	Incl.3-6
20-3	426421	Oil Seal			1	
20-4	426422	Ball Bearing			1	
20-5	647456	Pipe Knock			2	
20-6	647458	Oil Seal			1	
20-7	426427	Cylinder Head Comp			1	Incl.8-11
20-8	627981	Valve Guide			2	
20-9	647453	Stem Seal			1	
20-10	582498	Stud			2	
20-11	426423	Stud			2	
20-12	998006	Plug			2	
20-13	998005	Gasket			2	
20-14	426424	Bearing Cover Comp			1	Incl.15,16
20-15	426421	Oil Seal			1	
20-16	426422	Ball Bearing			1	
20-17	417041	Governor Gear Comp			1	
20-18	417042	Governor Sleeve			1	
20-19	426426	Oil Gauge Ass'y			2	Incl.20
20-20	426425	Gasket			2	
20-21	647466	Bolt			7	
20-22	426428	Gasket			1	
20-23	647469	Flange Bolt			4	
20-24	647470	Flange Bolt			1	
20-25	417047	Rocker Cover Comp			1	
20-26	647472	Gasket			1	
20-27	647456	Pipe Knock			2	
20-28	997940	Flange Bolt			4	
20-29	426429	Gasket Set			1	

21. MSW8500
ENGINE (Crank Shaft, Piston)



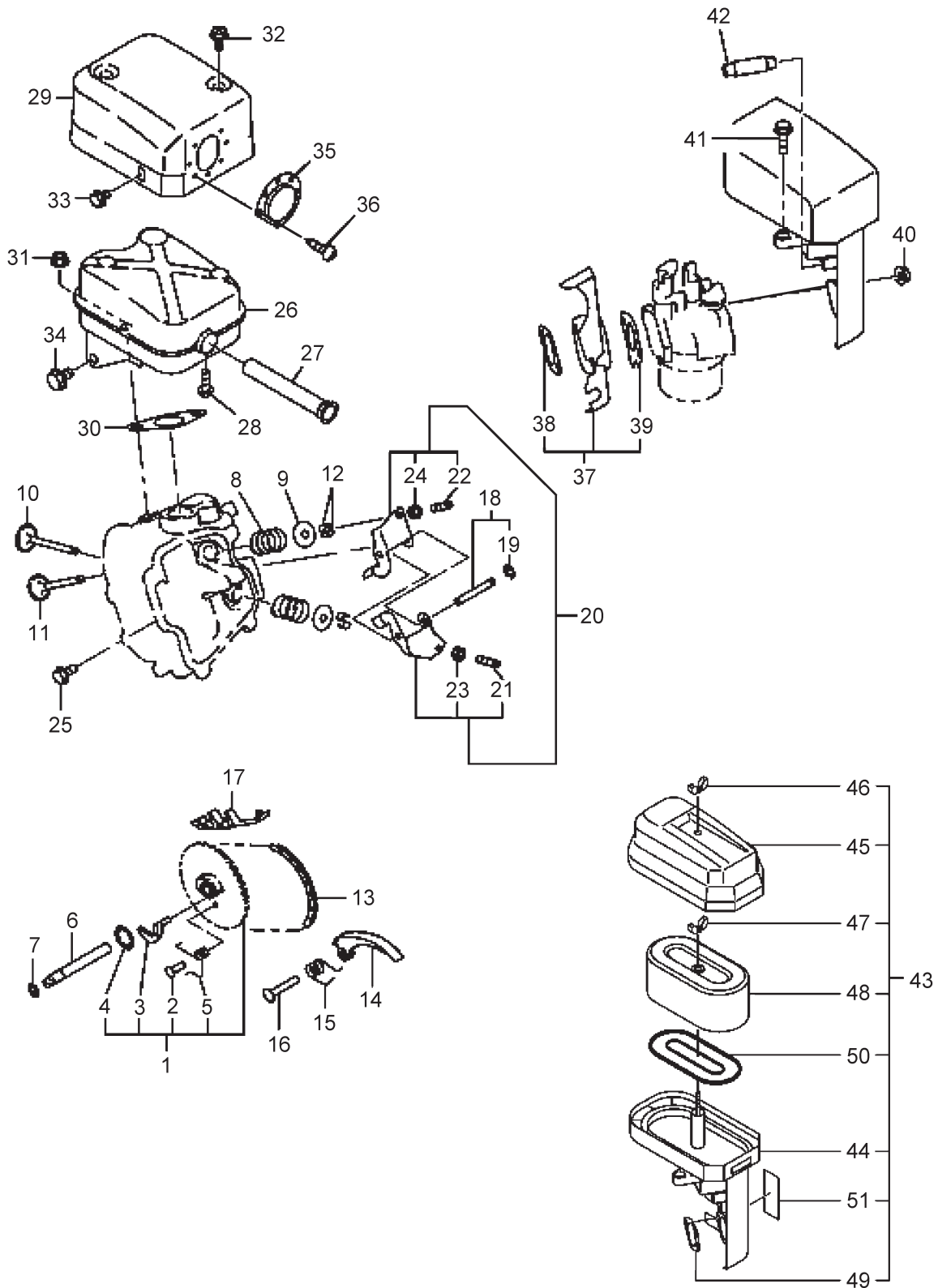
Ref. No.	Parts No.	Parts Name	Q'ty			Remarks
			4600	6500	8500	
21-1	426430	Crankshaft CP			1	
21-2	407050	Flange Nut			1	
21-3	998021	Woodruff Key			1	
21-4	426431	Connecting Rod Ass'y			1	Incl.5
21-5	426432	Connecting Rod Bolt			2	
21-6	426433	Piston Pin			1	
21-7	426434	Piston			1	STD
21-7	426435	Piston			1	OS0.25
21-7	426436	Piston			1	OS0.50
21-8	426437	Piston Ring Set			1	STD
21-8	426438	Piston Ring Set			1	OS0.25
21-8	426439	Piston Ring Set			1	OS0.50
21-9	631185	Clip			2	

22. MSW8500
ENGINE (Air Cleaner, Muffler)



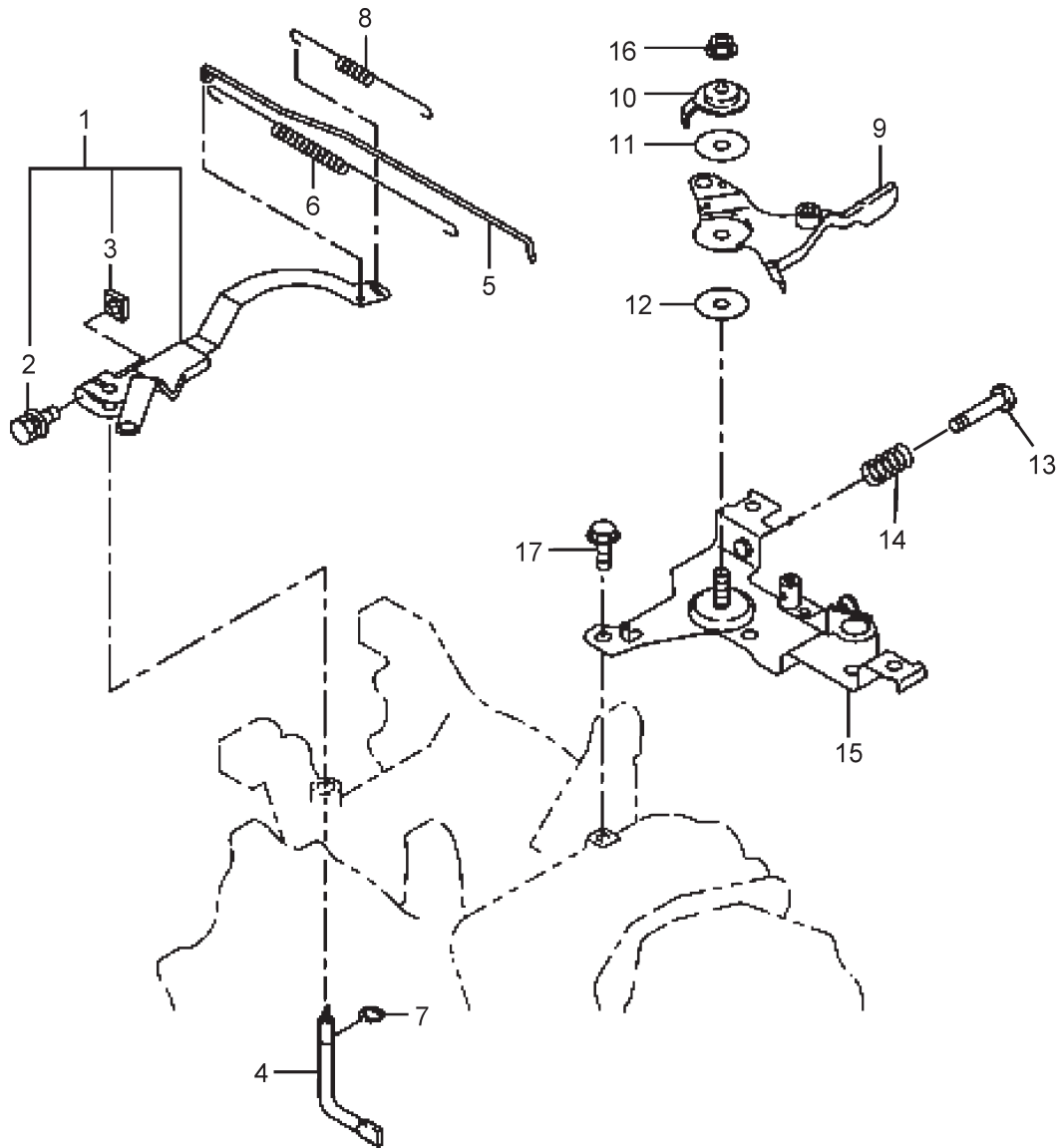
Ref. No.	Parts No.	Parts Name	Q'ty			Remarks
			4600	6500	8500	
22-1	426440	Camshaft CP			1	Incl.2-5
22-2	647491	Spring Pin			1	
22-3	426441	Release Lever			1	
22-4	647493	Clip			1	
22-5	426442	Return Spring			1	
22-6	417061	Pin Comp			1	
22-7	417062	O-Ring			1	
22-8	647495	Valve Spring			2	
22-9	644011	Spring Retainer			2	
22-10	426443	Intake Valve			1	
22-11	426444	Exhaust Valve			1	
22-12	644010	Collet Valve			4	
22-13	426445	Timing Chain Comp			1	
22-14	426051	Tentioner			1	
22-15	647500	Spring			1	
22-16	647501	Pin			1	
22-17	426052	Chain Guide			1	
22-18	417067	Pin Comp			1	Incl.19
22-19	641764	Clip			1	
22-20	420128	Rocker Arm Ass'y Set			1	Incl.21-24
22-21	647506	Adjust Screw			1	
22-22	647506	Adjust Screw			1	
22-23	647507	Nut			1	
22-24	647507	Nut			1	
22-25	997943	Flange Bolt			1	
22-26	426446	Muffler Comp			1	
22-27	426447	Spark Arrester Comp			1	
22-28	647516	Tapping Screw			1	
22-29	426448	Muffler Cover Comp			1	
22-30	647511	Gasket			1	
22-31	997954	Nut			2	
22-32	647513	Tapping Bolt			2	
22-33	997943	Flange Bolt			1	
22-34	647514	Flange Bolt			1	
22-35	417070	Screen Comp			1	
22-36	647516	Tapping Screw			2	
22-37	426449	Insulator Comp			1	Incl.38,39
22-38	426450	Gasket			1	
22-39	426451	Gasket			1	
22-40	582587	Flange Nut			2	
22-41	417071	Flange Bolt			1	
22-42	426452	Rubber Pipe			1	
22-43	426453	Air Cleaner Ass'y			1	Incl.44-51
22-44	426454	Base			1	
22-45	426455	Cover Comp			1	

22. MSW8500
ENGINE (Air Cleaner, Muffler)



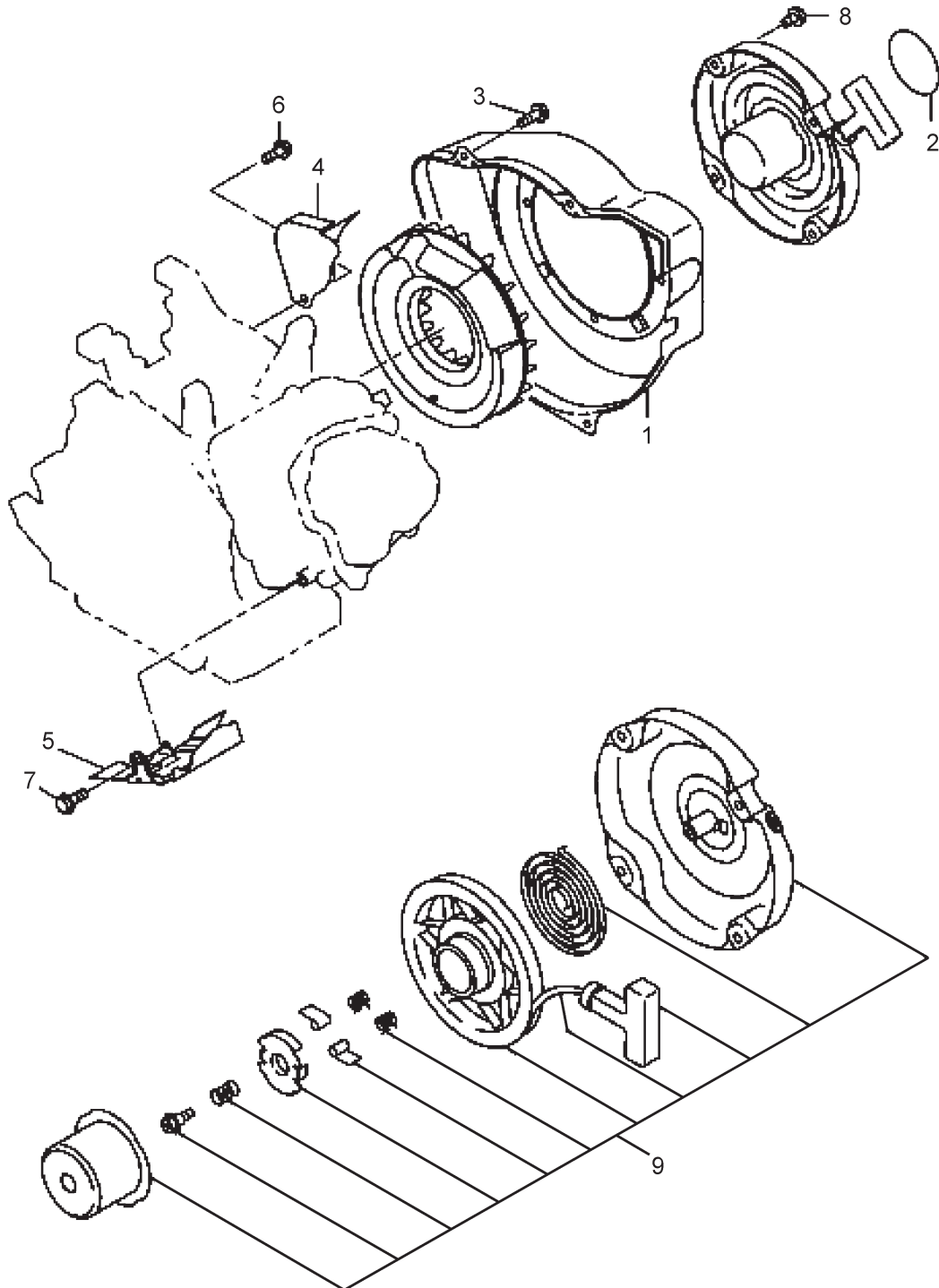
Ref. No.	Parts No.	Parts Name	Q'ty			Remarks
			4600	6500	8500	
22-46	426456	Wing Nut			1	
22-47	426058	Wing Nut			1	
22-48	426457	Element Ass'y			1	
22-49	426458	Gasket			1	
22-50	426459	Packing			1	
22-51	647526	Label			1	

23. MSW8500
ENGINE (Governor)



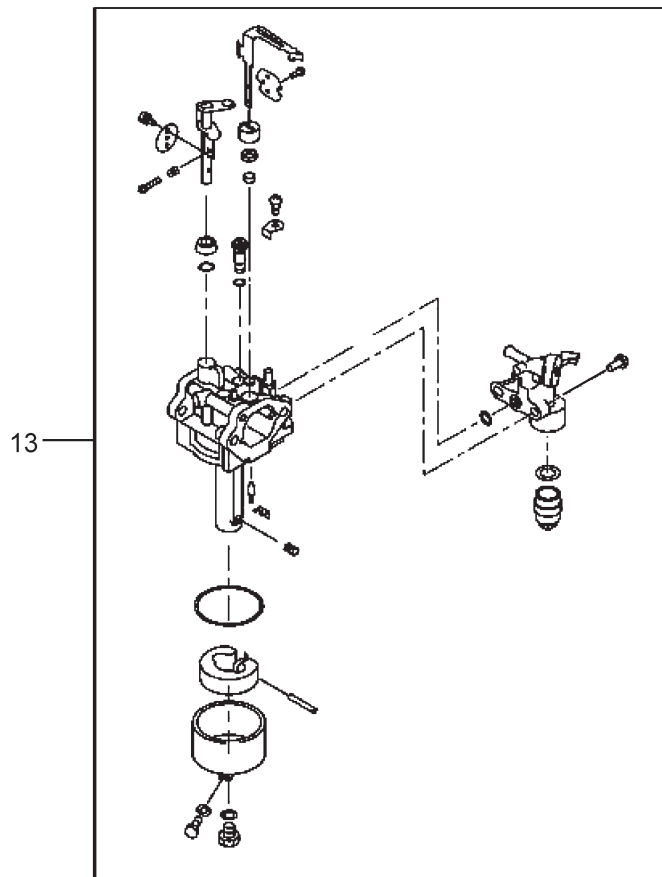
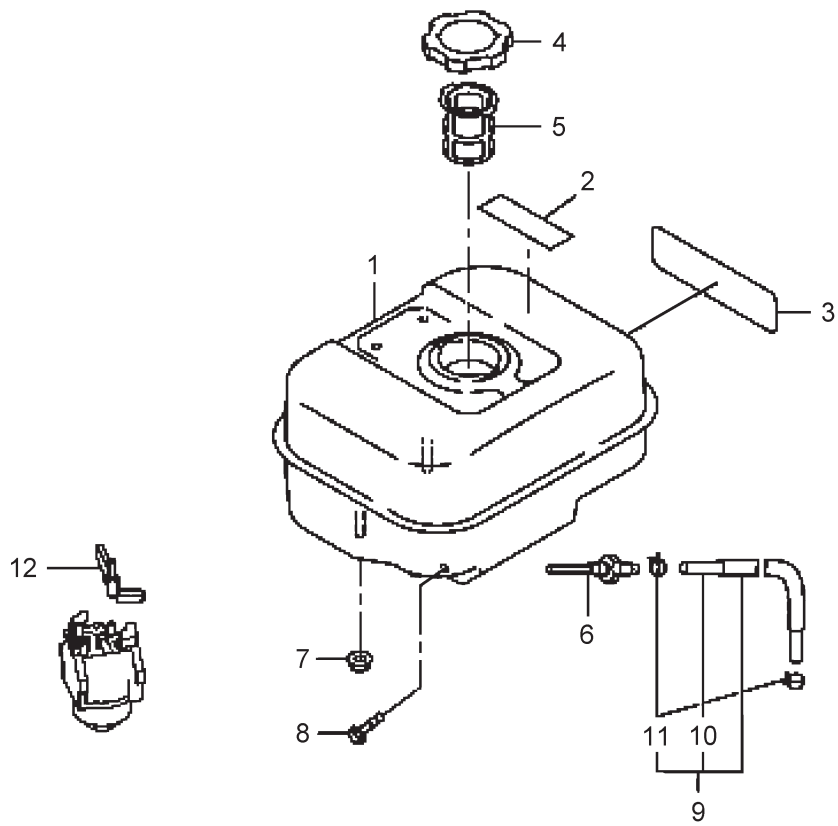
Ref. No.	Parts No.	Parts Name	Q'ty			Remarks
			4600	6500	8500	
23-1	426460	Governor Lever Ass'y			1	Incl.2,3
23-2	997967	Bolt AY			1	
23-3	997968	Nut			1	
23-4	647530	Governor Shaft			1	
23-5	417078	Governor Rod			1	
23-6	647532	Rod Spring			1	
23-7	641764	Clip			1	
23-8	417079	Governor Spring			1	
23-9	417080	Speed Control Lever			1	
23-10	647538	Stop Plate			1	
23-11	647539	Washer			1	
23-12	647540	Friction Washer			1	
23-13	999965	Screw			1	
23-14	647541	Spring			1	
23-15	417081	Bracket			1	
23-16	647546	Self Lock Nut			1	
23-17	997940	Flange Bolt			2	

24. MSW8500
ENGINE (Recoil Starter)



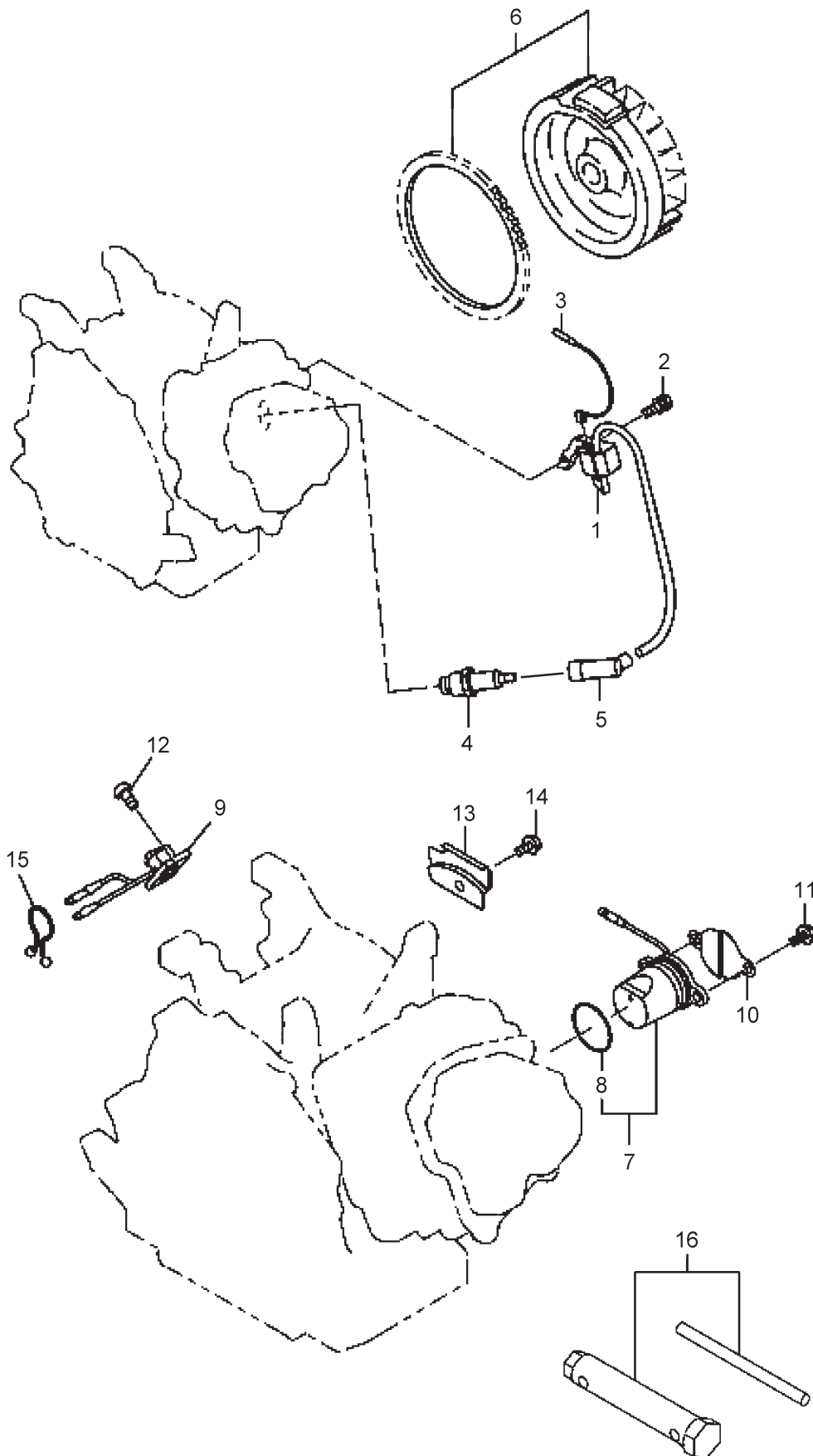
Ref. No.	Parts No.	Parts Name	Q'ty			Remarks
			4600	6500	8500	
24-1	426461	Blower Housing Comp			1	
24-2	426059	Label			1	TRADE MARK
24-3	582563	Flange Bolt			4	
24-4	426462	Baffle			1	
24-5	426463	Baffle			1	
24-6	999721	Bolt			1	
24-7	997940	Flange Bolt			1	
24-8	417128	Bolt			4	
24-9	426464	Recoil Starter Ass'y			1	

25. MSW8500
ENGINE (Fuel Tank, Carburetor)



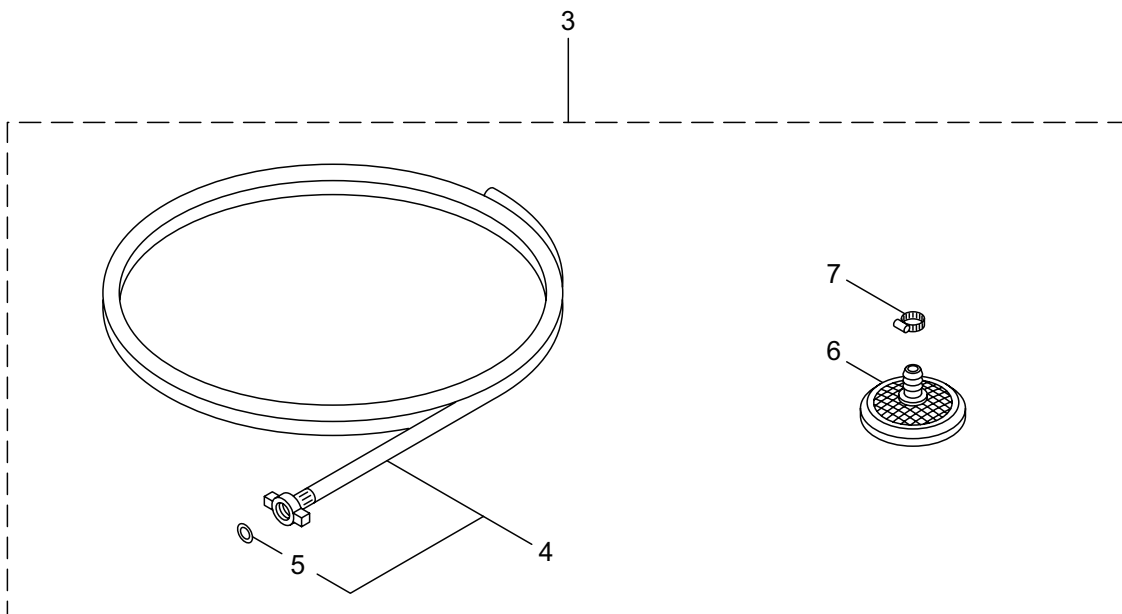
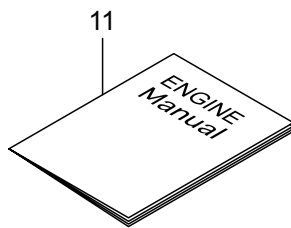
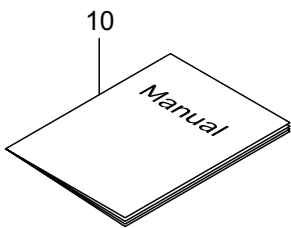
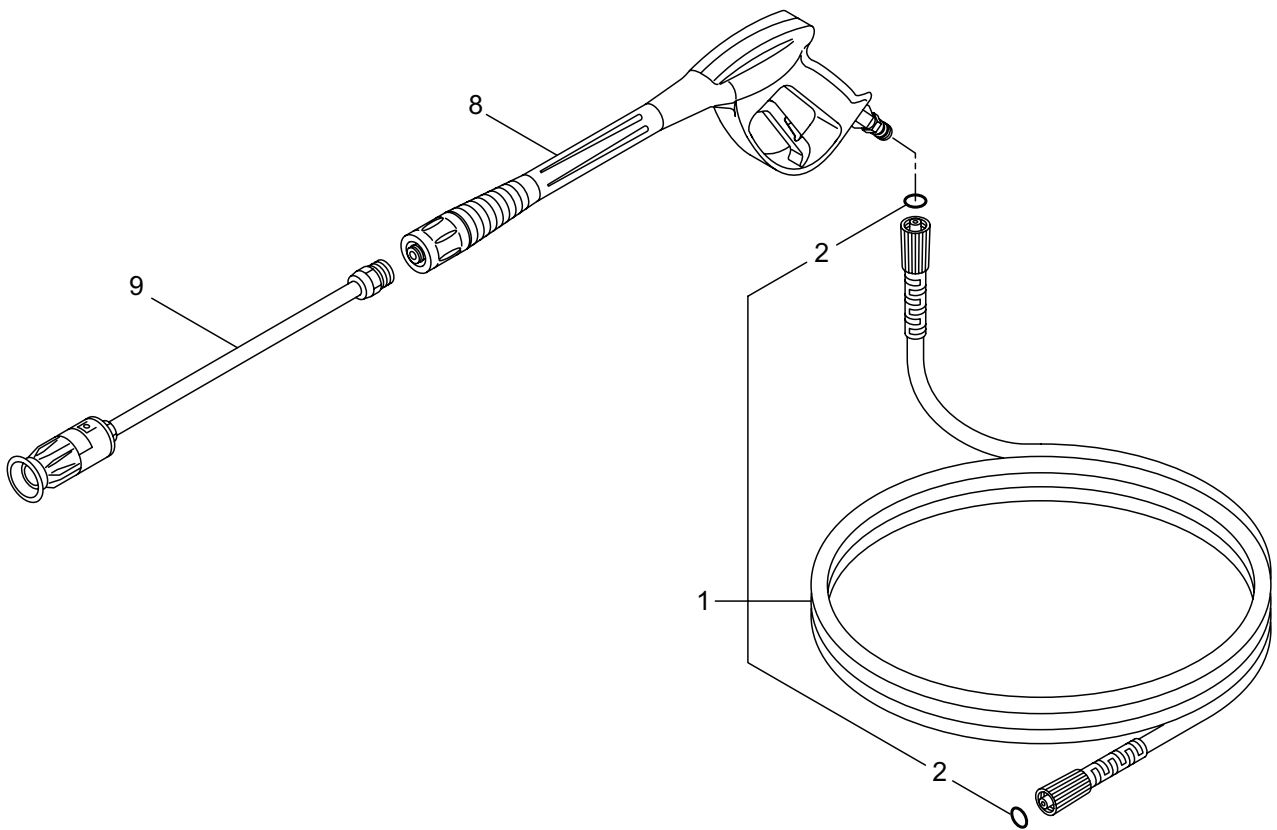
Ref. No.	Parts No.	Parts Name	Q'ty			Remarks
			4600	6500	8500	
25-1	426465	Fuel Tank Comp			1	
25-2	426313	Label			1	WARNING
25-3	426466	Label			1	
25-4	426467	Fuel Tank Cap Comp			1	
25-5	647560	Fuel Filter			1	
25-6	417137	Union			1	
25-7	997954	Nut			2	
25-8	647477	Flange Bolt			2	
25-9	426468	Fuel Pipe Comp			1	Incl.10,11
25-10	426469	Rubber Pipe			1	
25-11	420144	Hose Clamp			2	
25-12	647582	Choke Lever Comp			1	
25-13	426470	Carburetor Ass'y			1	

26. MSW8500
ENGINE (Electrical Parts, Accessories)



Ref. No.	Parts No.	Parts Name	Q'ty			Remarks
			4600	6500	8500	
26-1	426471	Ignition Coil Comp			1	
26-2	997967	Bolt AY			2	
26-3	647585	Wire Comp			1	
26-4	647586	Spark Plug			1	NGK BR6HS
26-5	420149	Spark Plug Cap			1	
26-6	426472	Flywheel Comp			1	
26-7	426473	Oil Sensor Comp			1	Incl.8
26-8	426316	O-Ring			1	P30
26-9	426317	Float			1	
26-10	426318	Shield Plate			1	
26-11	417085	Flange Bolt			2	
26-12	640047	Tapping Screw			2	
26-13	426474	Wire Clamp			1	
26-14	647513	Tapping Bolt			1	
26-15	426319	Purse Lock			1	
26-16	420150	Accessory Tool Kit			1	

27. MSW4600/MSW6500/MSW8500
ACCESSORIES (Hose, Nozzle)



Ref. No.	Parts No.	Parts Name	Q'ty			Remarks
			4600	6500	8500	
27-1	132238	High-Pressure Hose Ass'y	1	1	1	6.4X14X8M Incl.2
27-2	132362	O-Ring	2	2	2	
27-3	132655	Suction Hose Set	1	1	1	Incl.4-7
27-4	131215	Suction Hose Ass'y	1	1	1	13X18X2.4M Incl.5
27-5	131301	Packing	1	1	1	12X18.5XT2
27-6	131303	Suction Strainer Ass'y	1	1	1	
27-7	131306	Hose Band	1	1	1	
27-8	131972	Gun Glip Ass'y	1	1	1	
27-9	131973	Variable Nozzle Ass'y	1			
27-9	132665	Variable Nozzle Ass'y		1		
27-9	132678	Variable Nozzle Ass'y			1	
27-10	132656	Instruction Manual	1	1	1	SPITFIRE
27-11	131332	Instruction Manual	1			Engine
27-11	132657	Instruction Manual		1	1	Engine