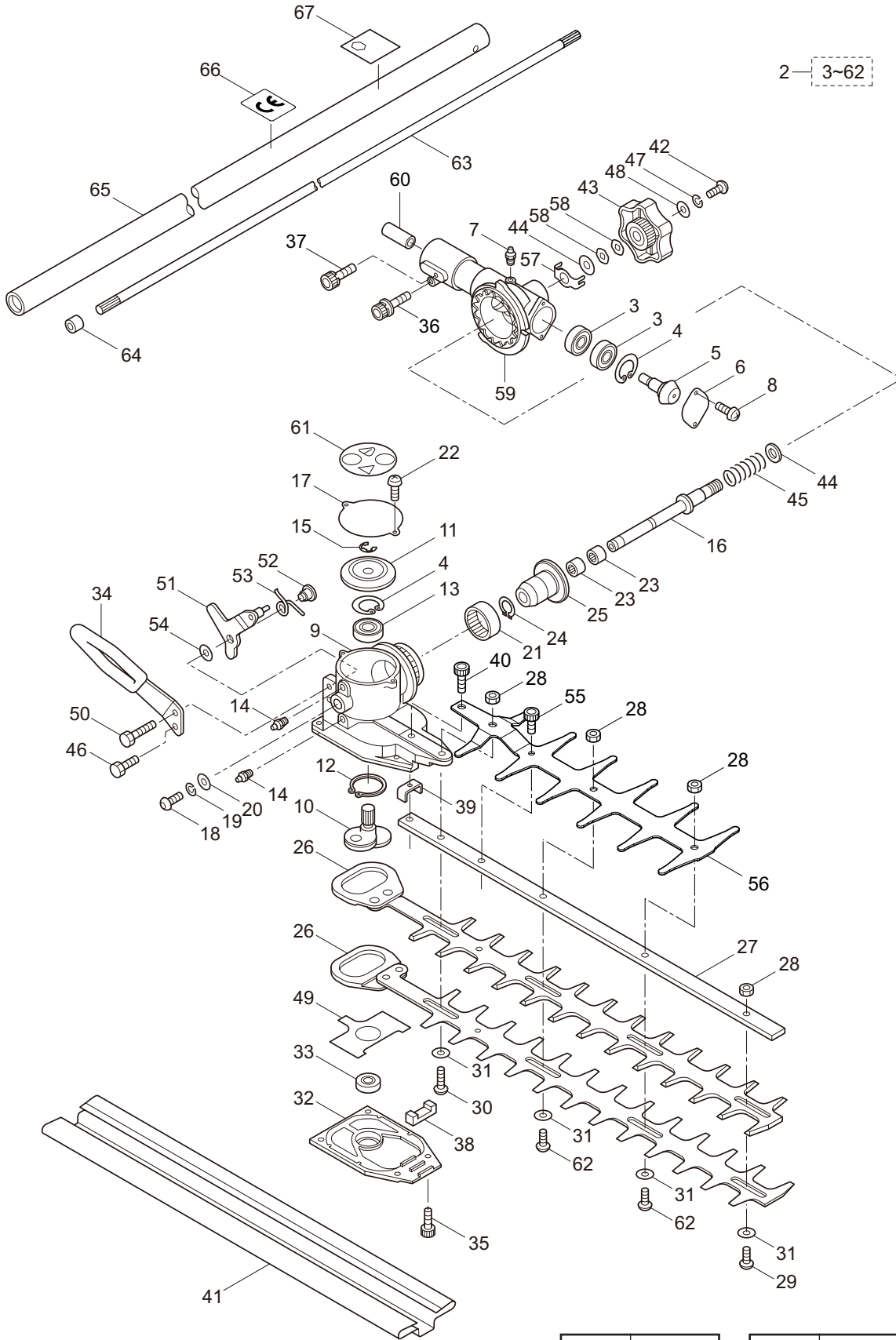


PARTS LIST

1. MCA-HTS(16) MAIN BODY



Ref.No.	Part No.
1-1	364520
1-2	237225
1-3	407313
1-4	631757
1-5	407314
1-6	407315
1-7	580766
1-8	631753
1-9	407316
1-10	407317
1-11	407318
1-12	631759
1-13	582443
1-14	580766
1-15	631755
1-16	407319
1-17	407320
1-18	407321
1-19	631749
1-20	582436
1-21	407322
1-22	631753
1-23	407323
1-24	407324
1-25	407325
1-26	407350
1-27	415328
1-28	580764
1-29	631765
1-30	407328
1-31	991913
1-32	407329
1-33	631771
1-34	407330
1-35	407331
1-36	631778
1-37	631777
1-38	407332
1-39	407333
1-40	407334
1-41	407352
1-42	407336
1-43	407337
1-44	407338
1-45	407339

Ref.No.	Part No.
1-64	216079
1-65	237688
1-66	237626
1-67	231264

Ref.No.	Part No.
1-60	631779
1-61	407349
1-62	631764
1-63	236843

Ref.No.	Part No.
1-56	237226
1-57	407347
1-58	407348
1-59	407312

Ref.No.	Part No.
1-51	407342
1-52	407343
1-53	407344
1-54	646471
1-55	407345

Ref.No.	Part No.
1-46	631770
1-47	631749
1-48	582436
1-49	407340
1-50	407341

2. MCA-HTS(16)
ACCESSORIES

Ref.No.	Part No.
2-1	237742
2-2	237743
2-3	237744
2-4	238194
2-5	524072

