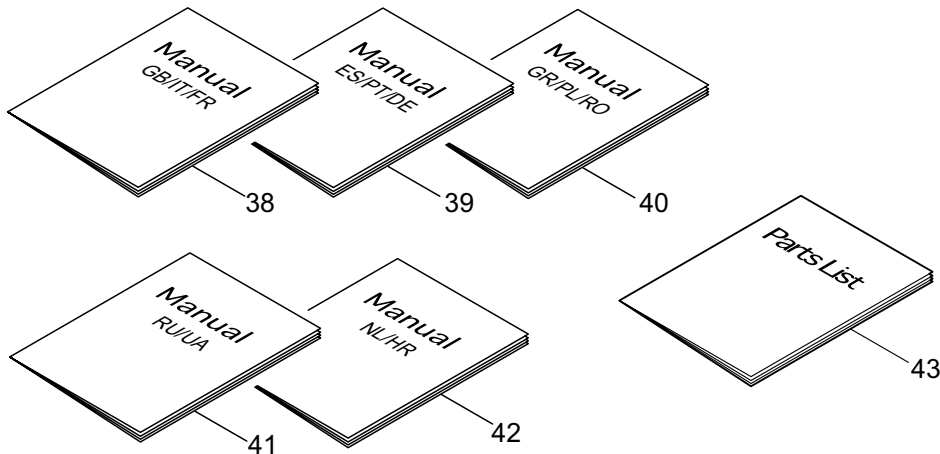
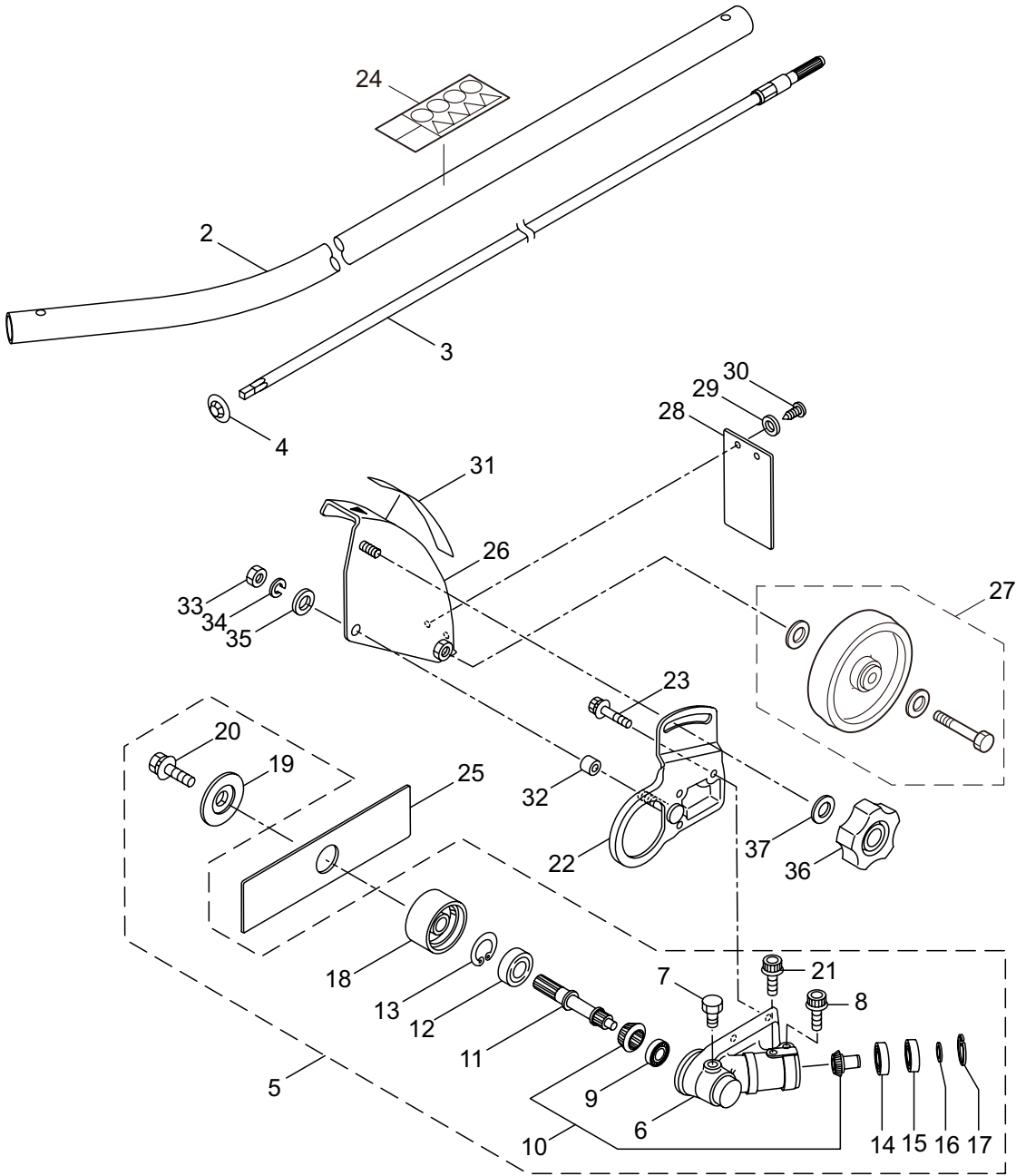


PARTS LIST

1. MCA-E



| Ref.No. | Part No. |
|---------|----------|
| 1-1 | 364514 |
| 1-2 | 237040 |
| 1-3 | 237042 |
| 1-4 | 216631 |
| 1-5 | 229587 |
| 1-6 | 219077 |
| 1-7 | 234109 |
| 1-8 | 261246 |
| 1-9 | 210554 |
| 1-10 | 227101 |
| 1-11 | 216056 |
| 1-12 | 212999 |
| 1-13 | 055185 |
| 1-14 | 210560 |
| 1-15 | 140268 |
| 1-16 | 228477 |
| 1-17 | 140270 |
| 1-18 | 220148 |
| 1-19 | 232852 |
| 1-20 | 215610 |
| 1-21 | 215993 |
| 1-22 | 229572 |
| 1-23 | 215993 |
| 1-24 | 223188 |
| 1-25 | 216062 |
| 1-26 | 220158 |
| 1-27 | 220160 |
| 1-28 | 220162 |
| 1-29 | 550163 |
| 1-30 | 128195 |
| 1-31 | 221528 |
| 1-32 | 220165 |
| 1-33 | 126521 |
| 1-34 | 126232 |
| 1-35 | 127216 |
| 1-36 | 219088 |
| 1-37 | 127216 |
| 1-38 | 237736 |
| 1-39 | 237737 |
| 1-40 | 237738 |
| 1-41 | 237739 |
| 1-42 | 238193 |
| 1-43 | 524066 |