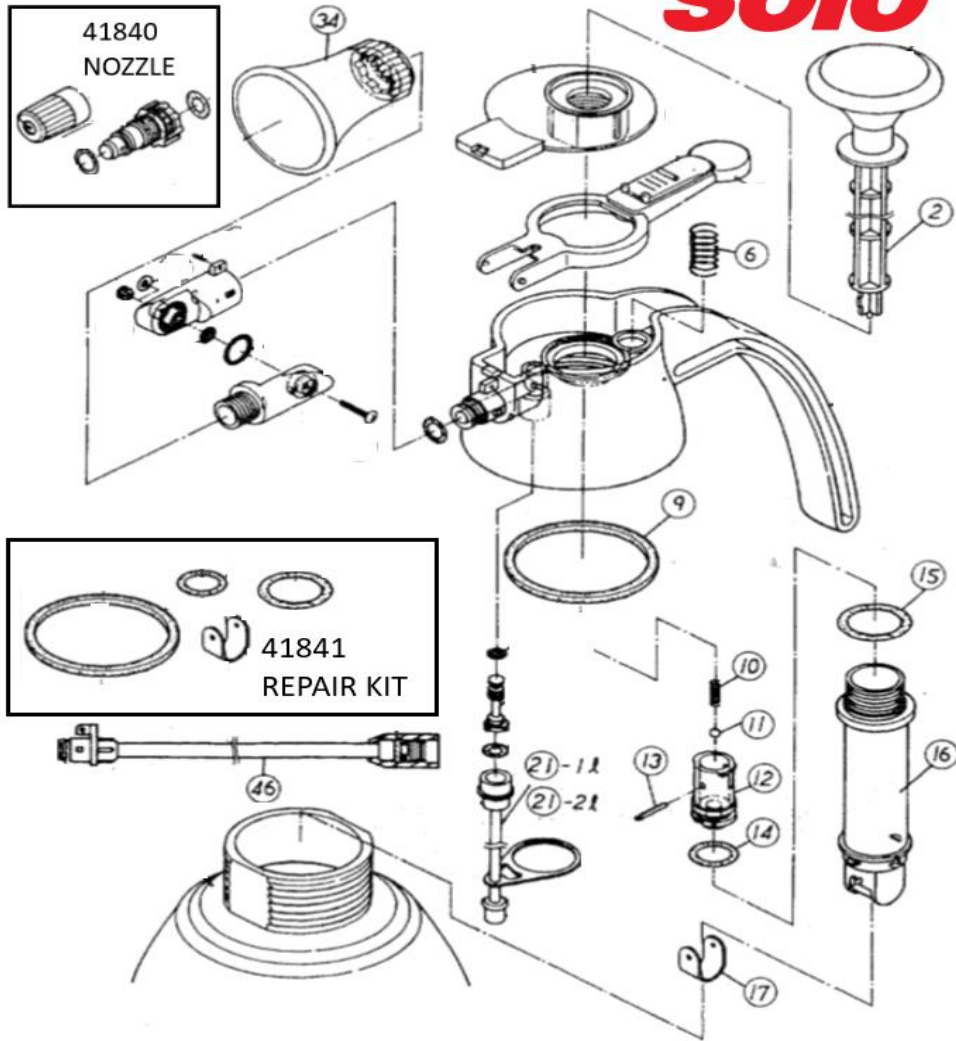


solo[®]



Position	Part #	Description
2	4182	Handle
6	4186	Spring
9	4189	Gasket
10	41810	Spring
11	41811	Ball
12	41812	Relief Valve
13	41813	Pin
14	41814	O-ring
15	41815	O-ring
16	41816	Cylinder
17	41817	Gasket
21	41821-1L	1L Tube
21	41821-2L	2L Tube
34	41834	Cup
46	41946-1L	1L Metal Wand
46	41946-2L	2L Metal Wand
	SKY42047	Telescopic wand
	41840	Nozzle assembly
	41841	Gasket kit