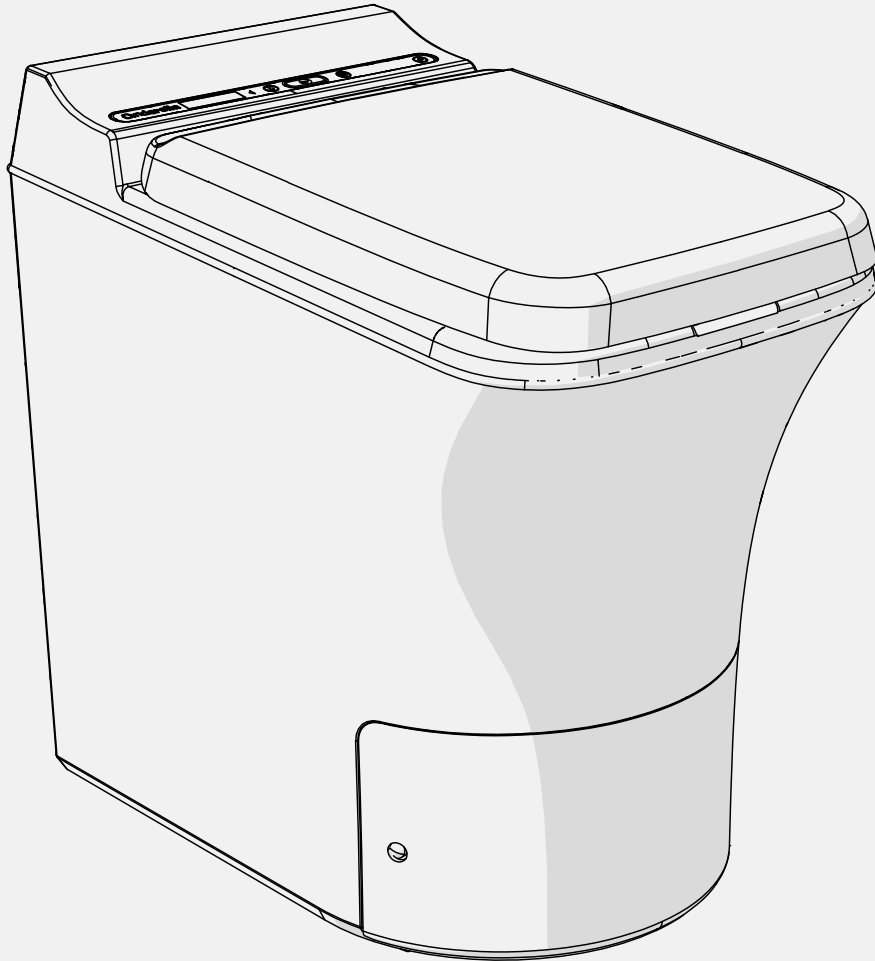




Cinderella[®]
Incineration Toilets

CINDERELLA COMFORT
MODEL COMFORT NA
Product manual



CONTENTS

1. GENERAL SECTION	3
1.1 INTRODUCTION	3
1.2 APPLICATION ACCORDING TO REGULATIONS	3
1.3 OPERATING INSTRUCTIONS GUIDE	3
1.4 LIMITATION OF LIABILITY	3
1.5 LISTINGS AND CERTIFICATIONS	3
1.6 ENVIRONMENTAL LIMITATIONS	3
1.7 GENERAL SAFETY INSTRUCTIONS	4
1.8 APPLIANCE RATING PLATE	5
1.9 CINDERELLA ONLINE	5
2. INSTALLATION SECTION	6
2.1 UNPACKING THE TOILET AND ACCESSORIES	6
2.2 MEASUREMENT SPECIFICATIONS	6
2.3 ORIGINAL INSTALLATION PACKAGES FOR YOUR CINDERELLA TOILET	7
2.4 INSTALLATION SPECIFICATIONS	7
2.4.1 SPECIFICATIONS PARTS AND MATERIALS	7
2.5 INSTALLING THE CINDERELLA INCINERATING TOILET	8
2.5.1 INSTALLING THE OUTLET PIPES	8
2.5.2 INSTALLING THE HORIZONTAL INLET PIPE	10
2.5.3 INSTALLING THE ORIGINAL CINDERELLA FLUE TERMINAL CAP	11
2.6 ELECTRICAL SPECIFICATIONS AND REQUIREMENTS	11
2.7 REMOVING THE TRANSPORTATION SAFETY STRAP	12
2.8 CHECKLIST TO VERIFY THE COMPLETE INSTALLATION	12
2.9 PERFORMANCE TEST TO VERIFY THE SYSTEM FUNCTIONALITY	13
3. USER SECTION	14
3.1 INTENDED USE AND HANDLING	14
3.2 GENERAL SAFETY	14
3.3 SAFE OPERATIONS	14
3.4 CINDERELLA COMFORT SAFETY FEATURES	14
3.5 IMPORTANT USER INFORMATION	15
3.6 THE CONTROL PANEL	16
3.7 USING THE CINDERELLA COMFORT TOILET	17
3.8 OPERATING THE FRONT COVER AND ASH CONTAINER	18
3.9 APPLIANCE ORIENTATION	19
4. GENERAL MAINTENANCE INSTRUCTIONS	20
4.1 END PRODUCT CHARACTERISTICS	20
4.2 CUSTOMER MAINTENANCE	21
4.2.1 EMPTYING AND CLEANING THE ASH CONTAINER	21
4.2.2 STEAM-CLEANING THE CATALYTIC CONVERTER	21
4.2.3 CLEANING THE BOWL	22
4.2.4 INSPECTING THE CATALYTIC CONVERTER	23
4.2.5 CLEANING THE APPLIANCE FLUE TERMINAL	23
4.2.6 RINSING THE CATALYTIC CONVERTER WITH HOT WATER	24
5. TROUBLESHOOTING AND FAQ	24
5.1 TROUBLESHOOTING TABLE	26
6. REPAIRS AND SPARE PARTS	27
6.1 SPARE PARTS LIST	27
6.2 APPLIANCE PROCESS OVERVIEW	28
6.3 TECHNICAL ORIENTATION	28
6.4 WIRING DIAGRAM	29
7. WARRANTY	30

1. GENERAL SECTION

1.1 INTRODUCTION

It is essential to ensure proper ventilation in accordance with the guidelines in this manual to guarantee the functionality of your new Cinderella toilet. Improper installation may cause malfunction, wear and/or odours and will void the warranty. When installing the appliance, the technical and administrative regulations in which the country it is installed must be adhered to.

1.2 APPLICATION ACCORDING TO REGULATIONS

This appliance is designed to incinerate bodily waste products and small sanitary products such as toilet paper and non-alcoholic baby or face wipes.

This appliance must not be installed in a mobile or portable installation such as a mobile home, recreational vehicle or caravan

1.3 OPERATING INSTRUCTIONS GUIDE

Please read this instruction manual carefully before installation and first use. Store these instructions in a safe place so you can refer to them when required. If you pass on the product to someone else, hand over this instruction manual along with it.

These instructions provide you with the necessary guidance for proper installation, handling and maintenance of the product. It is important that both the installer and the user familiarize themselves with the instructions given in this manual. The manual also contains information on professional maintenance and any necessary information for service and repairs.

A digital version of this document and further information can be found at www.cinderellaeco.com

1.4 LIMITATION OF LIABILITY

All information and guidance in these operating instructions have been prepared after taking into consideration the applicable standards and regulations as well as the current technology. Cinderella Eco Group AS reserves the right to make changes at any time which are deemed to be in the interest of improving the product and safety. Cinderella Eco Group will assume no liability for damage in the case of :

- Non-observation of the operating and maintenance instructions
- Application not in accordance with the regulations or provisions
- Use of non-original bowl liners and spare parts
- Modifications to and interference with the appliance
- Effect of environmental factors, such as extreme temperature fluctuations and humidity

The manufacturer accepts no liability for damage in the following cases:

- Damage to the product resulting from mechanical factors and incorrect connection voltages
- Alterations to the product without express permission from the manufacturer
- Use for purposes other than those described in the operating manual

1.5 LISTINGS AND CERTIFICATIONS

Cinderella Comfort products have been tested and approved by the consumer safety testing body UL, and given the C-UL-US recognition mark. This mark indicates that the product is compliant with Canadian and U.S. safety requirements, and satisfies all the applicable standards.



NSF PROTOCOL P157
ELECTRICAL INCINERATING
TOILETS



SPECIAL-TYPE INCINERATOR
MH61230

1.6 ENVIRONMENTAL LIMITATIONS

- Ambient temperature range: -20–40°C
- Operating altitude: Tested to 2,500 m



CAUTION!

When the Cinderella toilet is installed, minimum clearance to combustible construction must be: 50mm from sides, 50mm from rear

1.7 GENERAL SAFETY INSTRUCTIONS



DANGER!

Safety instruction: Failure to observe this instruction could cause fatal or serious injury.



WARNING!

Safety instruction: Failure to observe this instruction could lead to injury.



CAUTION!

Failure to observe this instruction could cause material damage and impair the function of the product.



NOTE!

Supplementary information for operating the product.



DANGER!

- Do not spray aerosols in the vicinity of this appliance while it is in operation.
- Do not use or store flammable materials in or near this appliance.
- Do not place articles on or against this appliance.
- Do not modify this appliance.



DANGER!

- Do not operate the incinerating toilet if it is visibly damaged.
- If the DC power cable for this toilet is damaged, it must be replaced by the manufacturer, customer service or a similarly qualified person in order to prevent safety hazards.
- This toilet may only be repaired by qualified personnel. Inadequate repairs may cause serious hazards.
- Only operate the toilet with the pressure shown on the type plate on the back of the toilet.



WARNING!

- Danger of crushing! Do not place your hand on the hinge or underneath the toilet seat while open, as there is no soft-close function on the lid and seat.
- Do not empty the ash container when hot.
- Before activating, ensure that the power supply line and plug are dry.
- Do not operate this unit until you have read thoroughly and understand completely all instructions and safety rules contained in this manual. Save this manual and review frequently for continuing safe operation and instructing possible third-party users






CAUTION!

- During transport, only hold the toilet by the toilet shell. Never hold the toilet by the power cord, front cover, lid or seat or exhaust outlet.
- Danger of overheating! Always ensure sufficient ventilation so that the heat and emissions generated during incineration can dissipate from the flue pipe. Ensure proper air flow for the system. Always ensure sufficient ventilation into the toilet. Make sure that the toilet is sufficiently far away from walls or other objects so that air can circulate.

1.8 APPLIANCE RATING PLATE

The appliance rating plate can be found on the back plate of the incineration toilet. From this plate you can read the model identification, serial number, toilet ratings and support detail. You will need these details whenever you contact the customer service centre or when ordering spare parts.

<p>MANUFACTURER</p>  <p>CINDERELLA ECO GROUP AS Sjøvikvegen 67, 6475 Midsund, NORWAY</p> <p>For sales and support call (905) 281-8566 or visit our web www.cinderellaeco.com</p> <p>CINDERELLA COMFORT MODEL: COMFORT NA SERIAL:</p>	<p>Appliance Specifications</p> <p>VOLTAGE..... 220-240 V AC 50-60Hz CURRENT 10 A HEATING ELEMENT:..... 2000W EL MOTOR: 12 V DC BATTERY: 12 V DC 2,6 Ah FAN BLOWER..... 12 V DC CAPACITY..... 4 VISITS PR. HOUR YEAR OF MANUFACTURING..... 2022 DESIGNED FOR STATIONARY STRUCTURES</p>	 <p>SPECIAL-TYPE INCINERATOR - MH61230</p>  <p>NSF Protocol P157 Electrical incinerating Toilets - Health and Sanitation Replaces 1983 edition of NSF Standard 41</p>
--	---	---

1.9 CINDERELLA ONLINE



REGISTER WITH "MY CINDERELLA"

When you register your toilet in "My Cinderella", you will receive relevant information about our products and available support systems, as well as special offers specifically tailored to your toilet model. In the event of theft, registered toilets will be in our manufacturer database.

Online Troubleshooter

A complete guideline to your toilet, providing useful advice and user improvements, enabling you to solve the most common issues on your own, without having to call for assistance.

Easy access to information

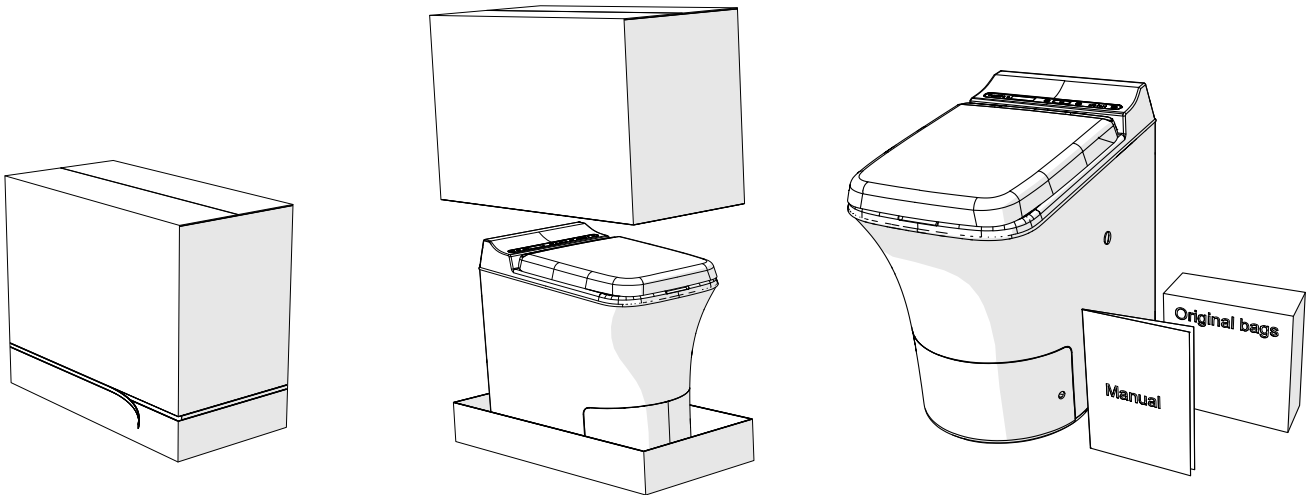
You can download product documentation from our online documentation centre, where you will find product manuals, service manuals and a Disassembly of Waste Electrical and Electronic Equipment (WEEE) manual.

Service and spare parts

Select country of origin and receive a list of local dealers where you can obtain service and spare parts.

2. INSTALLATION SECTION

2.1 UNPACKING YOUR CINDERELLA INCINERATING TOILET



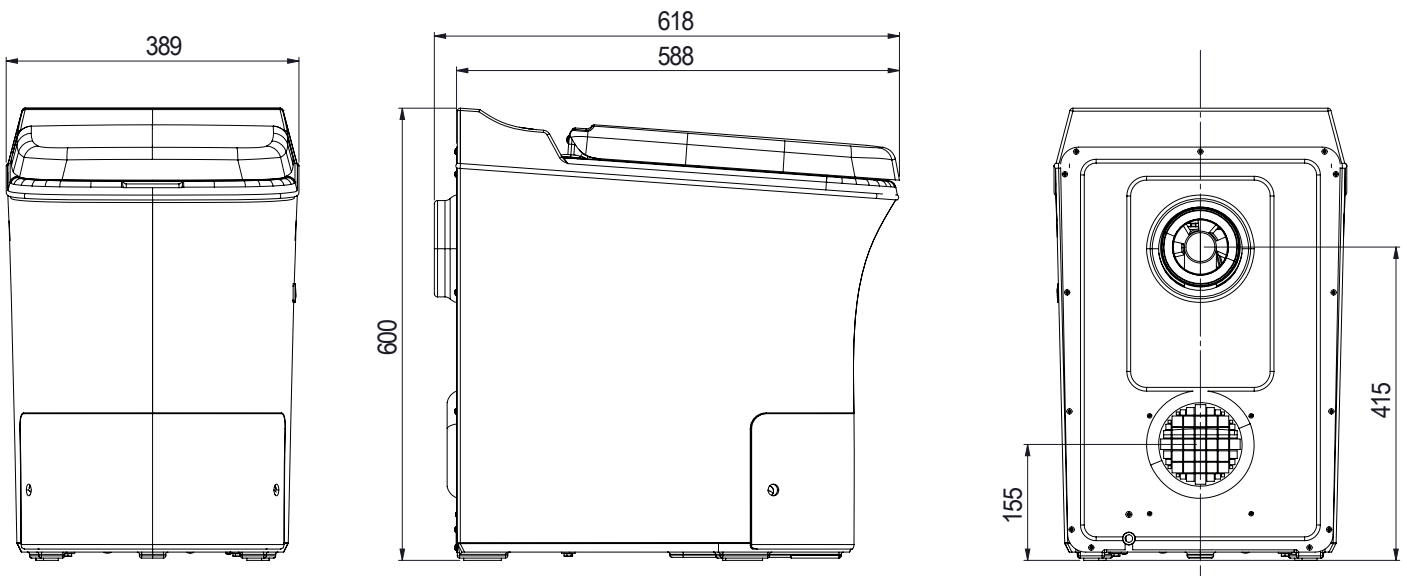
NOTE!

When unpacking the Cinderella toilet, use the pre-fixed strip on the bottom of the box. Release the strip all around the box and lift up the box.

INCLUDED ITEMS	QTY
Cinderella Comfort	1
Bowl liners	100
Product manual	1

2.2 MEASUREMENT SPECIFICATIONS

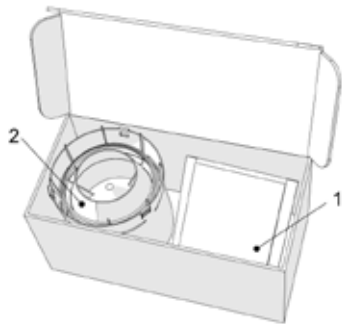
	Imperial	Metric
Seated height	21 1/4"	540mm
Height	23 5/8"	600mm
Width	15 3/8"	390mm
Depth	23 1/4"	590mm
Ventilation duct/pipe outer dim.	4 1/16"	110mm
Weight	75 lbs	34kg



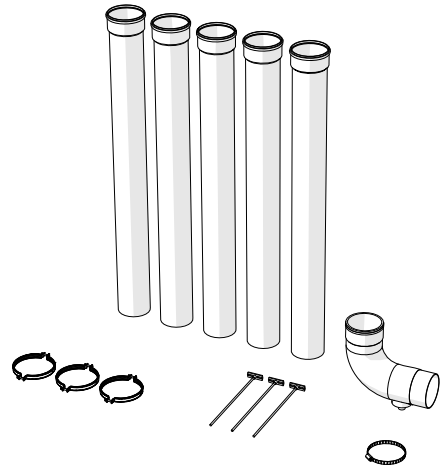
2.3 ORIGINAL INSTALLATION PACKAGES FOR YOUR CINDERELLA TOILET

Cinderella Original Insulation Kit Arctic: Cinderella has invented a specially designed insulation kit that gives you an added advantage when installed in cold environments. This kit is specially designed for the Cinderella Incineration Toilet and adds a layer of insulation inside the toilet shell which restricts the accumulation of water and ice on your appliance. This eliminates wear on your product and its interior. Ask your dealer or visit our homepage www.cinderellaeco.com for further information.

Cinderella Original Installation Kit: This complete set includes pipes and necessary parts for completing the installation. The installation kit includes 5 x 110mm PP quality pipes and pipe clamps for completing the outlet ventilation. The kit also provides an optimized elbow for increasing the system flow rate and incineration efficiency.



CINDERELLA ORIGINAL ACCESSORY KIT	QTY
Wind Shield	1
Flue Terminal Cap	1



CINDERELLA ORIGINAL INSTALLATION KIT	QTY	
1	Male-Female 1066 mm flue pipe	5
2	Wall mount rod	3
3	Support clamp	3
4	Elbow 87 w/drain	1
5	Threaded rod 30 mm	3
6	Gear clamp	1



NOTE!

- This manual will further explain and demonstrate how to optimally install your toilet, based on the parts included in the Original Cinderella Installation Kit. Should you desire to install your Cinderella appliance with other than our original pipes and parts, be sure that they comply with the specifications described under section 2.4.1 "parts and material specifications".
- In order to guarantee your Cinderella Incineration Toilet functions properly, It is essential to ensure proper ventilation in accordance with the guidelines in this manual. Installations deviating from the manufacture specifications or the use of non-authorized parts in the installation of the appliance will cause malfunction, wear or odors and will void the warranty.

2.4 INSTALLATION SPECIFICATIONS

2.4.1 SPECIFICATIONS PARTS AND MATERIALS

ITEM	SPECIFICATIONS
Ventilation pipes	The toilet must be installed with straight hard pipes with a smooth inner surface with a minimum temperature tolerance of 90° Celsius (194° Fahrenheit). Do not use any flexible ducts or pipes when installing the Cinderella Comfort NA toilet. To ensure proper airflow we recommend you install the system with 110 mm pipes with a minimum inner diameter of 102 mm (4 inches), it`s an absolute requirement to use pipes with inner diameter of no less than 95 mm (3 3/4 inches) when installing the Cinderella Comfort incineration toilet to ensure proper air flow and system functionality.

Elbow (Outlet air)	Cinderella Comfort is required to be installed with a smooth curved elbow that minimizes the restriction of the air flow. We strongly recommend using the Original Cinderella Elbow 87° w/ drain. Consult your nearest Cinderella dealer if you consider using any other bend for this appliance, as any restriction in airflow can cause system malfunction.
Flue Terminal Cap	You must install a chimney cap on top of the outlet pipe for your Cinderella Comfort appliance. We recommend that you use the supplied chimney cap when installing your system. If you need to use another chimney cap, make sure you consult your nearest Cinderella dealer. Too much restriction in the chimney cap could cause the system to malfunction.



CAUTION!

The Cinderella Comfort toilet must have its own outlet air pipe and it is not permitted to install Cinderella Comfort ventilation with the use of the following:

- Wind fan or similar as a replacement for the chimney cap
- Flexible ducts or pipes.
- Pipes with inner diameter less than 95 mm (3 3/4") .
- Never use a fine mesh net in the ventilation pipe as this might restrict the airflow in the system.



NOTE!

- During installation of the appliance, the technical and administrative regulations of the country in which the toilet is installed must be adhered to. We recommend that you contact your local retailer to plan and install your Cinderella Comfort appliance.
- The inside of the ventilation pipe must be smooth and not embossed or grooved.
- The elbow must be accessible when installed, so that the drainage pipe can be rinsed, and the outlet pipe cleaned.
- Cinderella Comfort is proved for use in bathrooms/wet rooms (IP 34 classified), but water must not be splashed over the external parts of the toilet.
- The toilet must be placed on a firm and level base and your Cinderella appliance may be installed on a heated floor

2.5 INSTALLING THE CINDERELLA INCINERATING TOILET

It is essential to ensure proper ventilation in accordance with the guidelines in this manual to guarantee the functionality of your new Cinderella toilet. Improper installation may cause malfunction, wear or odors and will void the warranty. Read each section carefully before starting the installation of the toilet. Always make sure that the work is carried out by professionals in accordance with local regulations.



CAUTION!

- Upon installation of the appliance, the technical and administrative regulations of the country in which the toilet is installed must be adhered to. We recommend that you contact your local dealer for planning and installing your Cinderella toilet.
- Never use any bends in addition to the elbow bend.
- If the pipe perforates the roof surface, ensure that it is in compliance with building regulations.
- Do not use any flexible ducts or pipes when installing the Cinderella toilet.
- Never connect more than one appliance to the vent.
- The elbow must be accessible when installed, so as to be able to rinse the drainage pipe and clean the outlet pipe regularly,

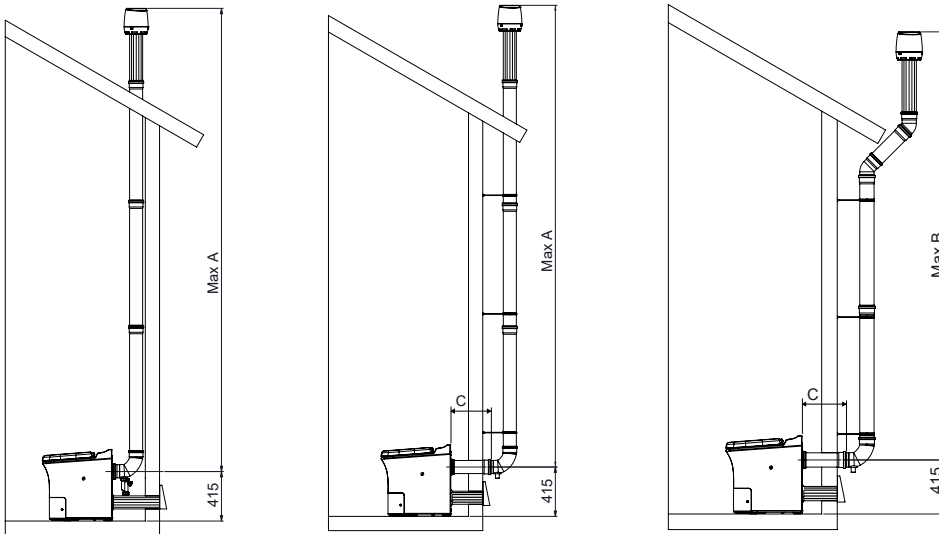


WARNING!

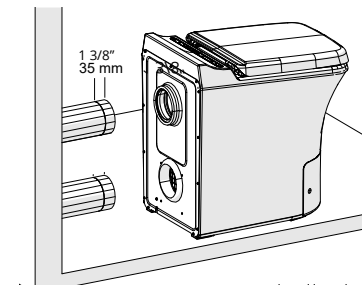
Before cutting any holes, always check that you will not cut any electrical wiring or water pipes.

2.5.1 INSTALLING THE OUTLET PIPES

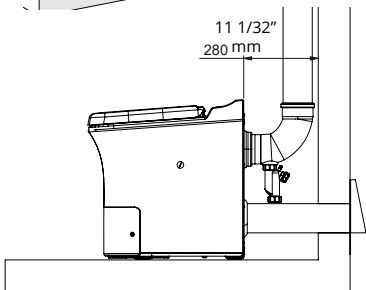
DIAMETER VENT PIPE		OUTLET DIRECTION	REFERENCE	BENDS	MAXIMUM PIPE LENGTH	
IMPERIAL	METRIC				IMPERIAL	METRIC
4 21/64"	110mm	Horizontal flue pipe	C	(Not allowed)	39 3/8"	1.0m
4 21/64"	110mm	Vertical flue pipe	A	None	238 7/32"	6.0m
4 21/64"	110mm	Vertical flue pipe	B	2 x 45° bends	196 27/32"	5.0m



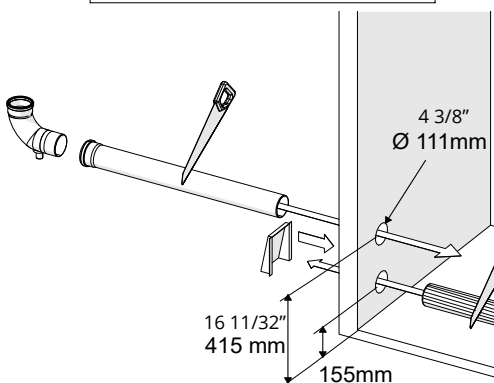
NOTE!
The center of the appliance flue terminal is 415 mm from the floor level.



NOTE!
When adjusting the pipe length, please notice that the pipe will enter 1 3/8" (35 mm) into the appliance flue terminal, and will have to be calculated into the planning of your installation.



NOTE!
When installing the pipe vertically, straight up from the appliance, please notice that the minimum distance from the wall to the toilet must be 11 1/32" (280mm).



NOTE!
The Original Cinderella Installation Kit includes 5 x 41 31/32" (1066 mm) pipes to be used on the outlet and inlet installation, the pipes are delivered with socket and gasket for simple installation. When installing the pipe through the outer wall, you will have to enter the pipe from the outside to the inside. Cut the pipe to the desired length, use the part with the socket and gasket between the elbow bend and the appliance, the part without a socket should be used on top of the flue pipes to connect to the flue cap.

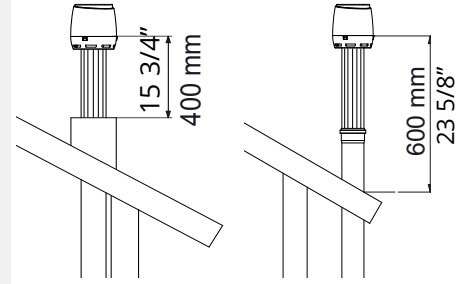


NOTE!
The systems flue terminal is designed for connecting 110 mm PP quality pipes with an inner diameter of no less than 102 mm (4 inches). The pipe is to enter 35 mm (1 3/8") onto the toilet flue terminal. Do not use excessive force when connecting the pipe, as this may damage the system. The ventilation must be attached to the appliance by fastening the gear clamp around the gasket and pipe. Ensure that the pipe is firmly connected to the appliance before tightening the gear clamp.



NOTE!

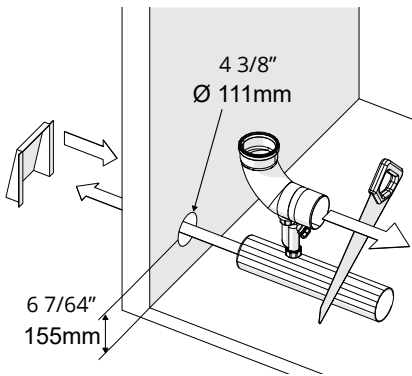
- The pipe must always be installed vertically above the roof and extend at least 23 5/8" (600 mm) above the roof surface. If the outlet air pipe is to be enclosed (e.g. using metal siding), make sure that the end of the pipe extends at least 15 3/4" (400 mm) above the enclosure.
- If installed where snow is likely to accumulate it might be necessary to extend the pipe further, and to secure accordingly. Keep in mind not to extend beyond maximum allowed pipe length



2.5.2 INSTALLING THE HORIZONTAL INLET PIPE

It is important to ensure that the toilet has enough access to fresh air, and we therefore always recommend installing the Cinderella Comfort with designated inlet air connection. Supplying fresh air from the outside and into the appliance is essential for cooling, circulation and the supply of oxygen to the incineration process. If the toilet has restricted access to air / oxygen, you will experience poor incineration, reduced efficiency and possibly overheating of the appliance. Poor incineration over time will wear on the product and void your warranty.

OUTER DIAMETER INLET PIPE		INNER DIAMETER INLET PIPE		INLET DIRECTION	BENDS	MAXIMUM PIPE LENGTH	
4 21/64"	110mm	4 1/64"	102mm	Horizontal	None	19 11/16"	500mm



NOTE!

- The center height for the inlet air terminal is 155 mm from the floor level.
- The Original Cinderella Installation kit includes 5 x 41 31/32" (1066 mm) pipes to be utilized for the inlet and outlet air. Adjust the length of the inlet pipe to fit the installation and cut away the side with the flange. Please note that the pipe will enter 40 mm into the inlet terminal on the appliance.



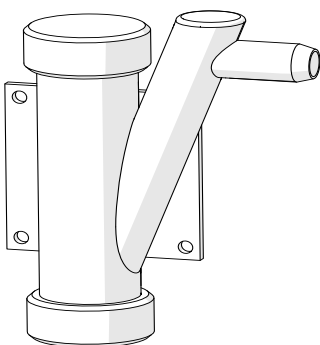
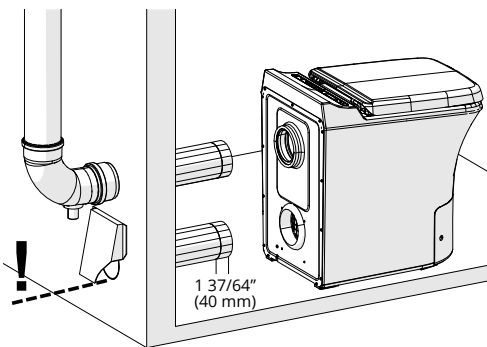
NOTE!

When mounting the storm collar on the external wall, make sure that the pipe is installed flush with the storm bottom of the storm collar. Misplacement can lead to restricted air circulation that cause poor incineration, reduced efficiency and possibly overheating of the appliance.



NOTE!

Cinderella supplies a specially designed "siphon" that fits onto the elbow provided in the installation kit, this item can be purchased as an accessory from any Cinderella dealer. If installation is done from the interior, you will need to connect the siphon to the elbow-piece to prevent condensation and rainwater to drain onto the floor. Failure to collect the condensation and emptying it regularly, may result in damage to the floor.

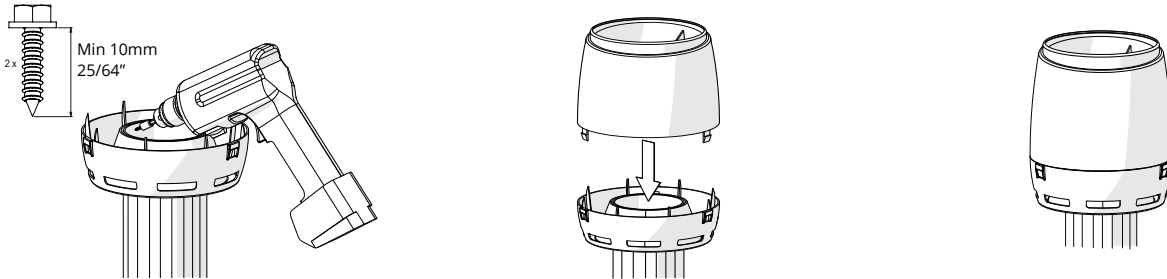


2.5.3 INSTALLING THE ORIGINAL CINDERELLA FLUE TERMINAL CAP



NOTE!

The Cinderella Original installation Kit includes a flue terminal cap that is designed for optimal flow and increased product efficiency. This cap consists of two parts, where the base section can be fixed to the pipes with stainless screws or glue, this for easy connection and removal for maintenance of the ventilation pipes. Use the socket-less part of the cut pipe from when installing the horizontal flue pipe in the Cinderella installation kit as the last section of the ventilation pipe, this will be utilized as the connection to the flue terminal cap.



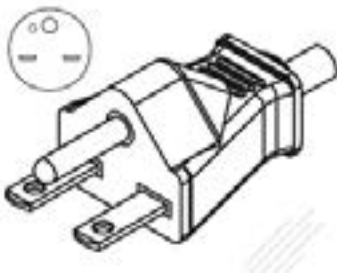
2.6 ELECTRICAL SPECIFICATIONS AND REQUIREMENTS



WARNING!

- This appliance must be installed in accordance with National Electrical Codes, as well as all state, municipal and local codes.
- The correct voltage, frequency and amperage must be supplied to the appliance from a dedicated, grounded circuit which is protected by a properly sized circuit breaker.
- The proper voltage, frequency and amperage are listed in this manual and on the product rating plate on the back of the toilet.

Power requirements	INPUT	CURRENT	FUSE
	220V-240V AC	10 A	10 A
Power consumption	STANDBY MODE		INCINERATING MODE
	0.5 W		2000 W
Connection polarity	CABLE CROSS SECTION		PLUG TYPE
	14 AWG		NEMA 6-15P



NOTE!

The toilet is delivered with a 15 Amp, 250Volt, 2 Pole 3Wire Grounding NEMA6-15P plug. To supply sufficient power to the unit as delivered, it will require a dedicated grounded circuit, with at least 10 amps of available power at 230 V AC.



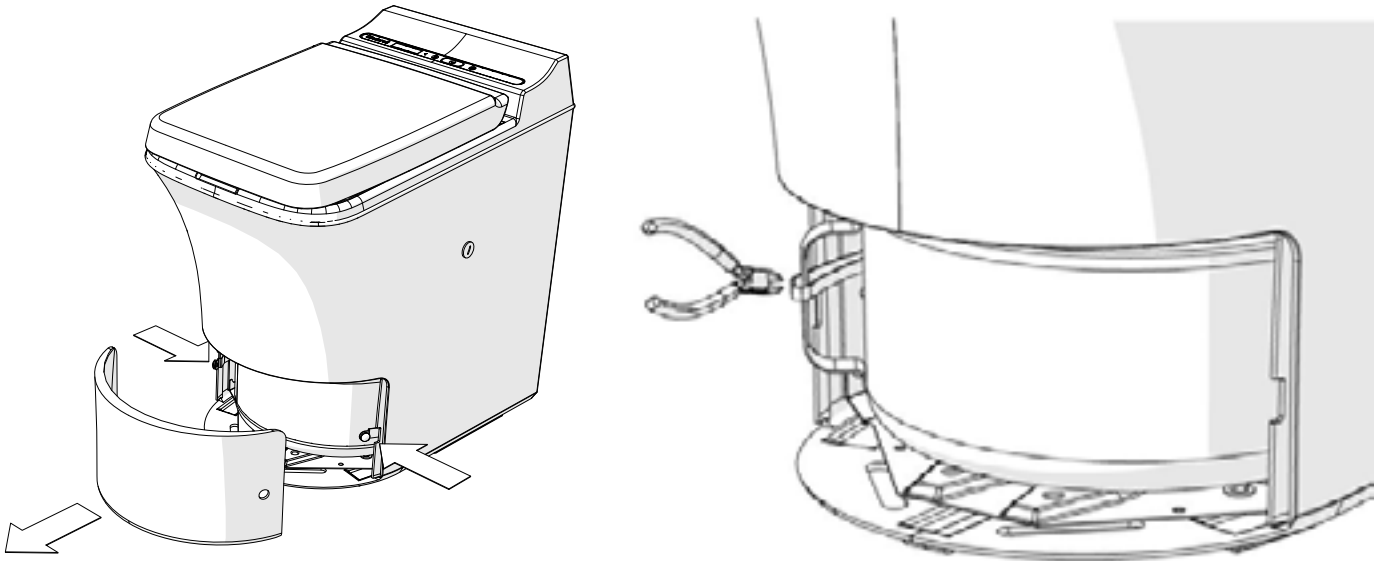
DANGER!

- The connection cable must be laid in such a way that it does not come into contact with sharp edges.
- Changes to the internal electrical installation or the connection cable must be performed by a professional tradesman or a similarly qualified person in order to prevent safety hazards.
- Power converters are not recommended for use with your Cinderella product. Cinderella comfort has a maximum power consumption level of 2000W, which may be sustained over periods exceeding an hour at a time. Power converters with a “peak consumption” level of 2000W may be unable to maintain this power output and become overloaded, damaged or unsafe if used with your Cinderella Comfort.

2.7 REMOVING THE TRANSPORTATION SAFETY STRAP

The ash container is equipped with a safety strap which must be removed before use:

1. Remove the front cover.
2. Cut away and remove the plastic straps attaching the ash container to the steel frame.



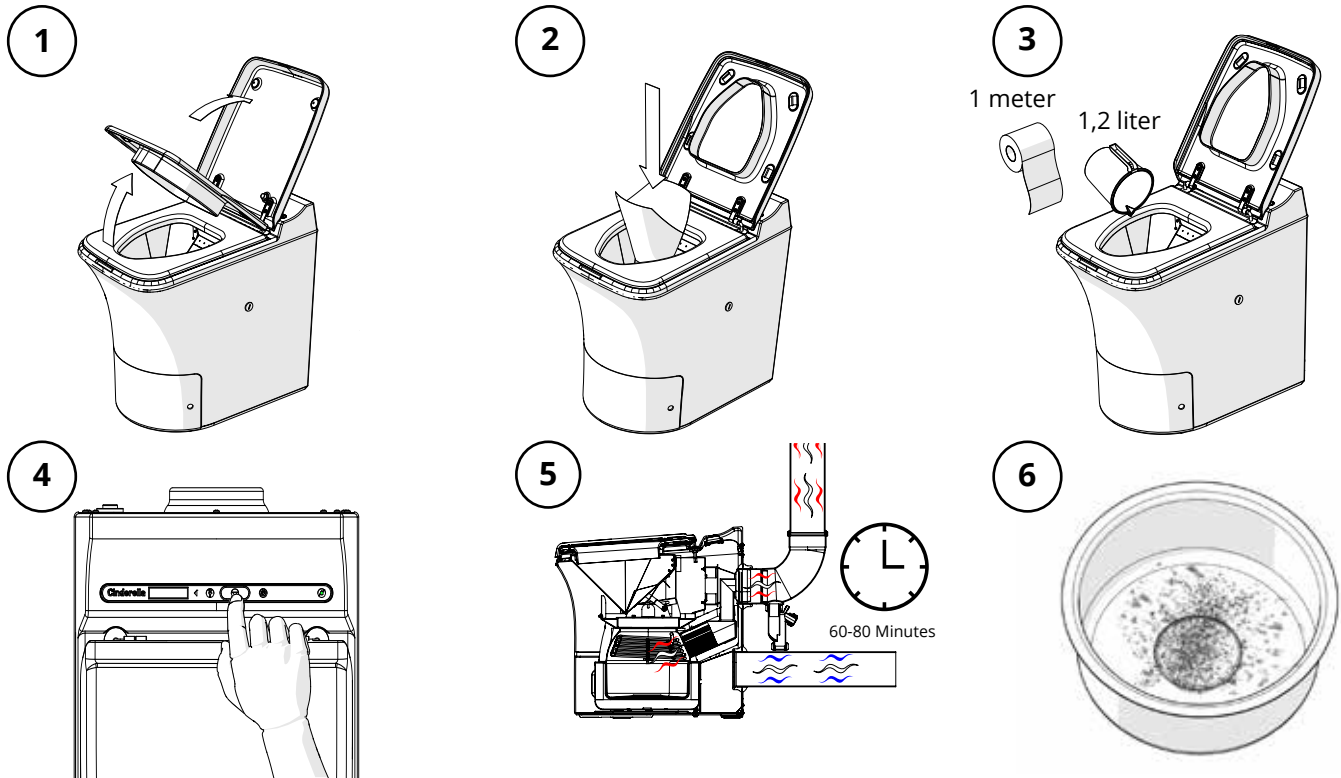
2.8 CHECKLIST TO VERIFY COMPLETE INSTALLATION

CONTROL ITEMS	CONFORMANCE
The connected voltage is in accordance with the appliance rating plate	
The flue pipe length is installed according to manufacturer specifications	
The flue termination is no less than 600 mm from the roof surface	
Safe draining "siphon" is installed where condensation is likely to accumulate	
Flue pipe material is installed according to manufacturer specifications	
Flue cap is installed according to manufacturer specifications	
The transportation safety strap has been removed	

2.9 PERFORMANCE TEST TO VERIFY SYSTEM FUNCTIONALITY

When the "Start" button is pressed, the incineration cycle will be activated. The estimated incineration time for the verification test is approximately 60 – 80 minutes. The yellow light will be lit when the incineration is ongoing, and the complete test should be completed without any fault indications or system interruptions. The toilet will have to cool down to the point that the fan has stopped before the ash container can be removed. The cooling phase can take from 60 – 90 minutes, depending on the ambient cooling temperature.

The end result should only be fine white dust. Any end results deviating from this or an incineration time exceeding 90 minutes may indicate a restriction in the flue vent or a lack of oxygen. Check that the installation is in accordance with the manufacture specifications, presented in section 2 of this manual.



WARNING!

The ash container will get very hot while incinerating. Do not remove the front lid until the toilet has cooled completely and the fan has stopped.



NOTE!

The performance test is designed to be performed when the toilet has not been used. Results may vary when performing this test on used toilets.

3. USER SECTION

3.1 INTENDED USE AND HANDLING

The Cinderella Comfort toilet is intended for indoor installation and use in leisure homes such as cabins, second homes, outhouses, site welfare units, boathouses and pool houses. The toilet is solely designed to incinerate bodily waste products and small sanitary products such as toilet paper, sanitary pads and non-alcoholic baby, face and cleaning wipes. Using the Cinderella Comfort to incinerate other items constitutes misuse and will void your warranty. **Do not put the following items into the toilet:**

- Excessive amounts of paper of any kind
- Chlorine based cleaning agents
- Alcoholic cleaning wipes
- Newspaper
- Paper towels
- Flammable liquids or materials
- Cigarette lighters
- Cigarettes or cigars
- Petrol
- Alcoholic drinks or liquors
- Alcohol or rubbing alcohol
- Nail polish remover
- Lighter fluid
- Lamp oil / kerosene
- Aerosol containers
- Glass or plastic bottles or containers etc.

3.2 GENERAL SAFETY



DANGER!

- Do not operate the incineration toilet if it is visibly damaged.
- If the connection cable for the toilet is damaged, it must be replaced by the manufacturer, customer service or a similarly qualified person in order to prevent safety hazards.
- This incineration toilet may only be repaired by qualified personnel. Unauthorized repairs can result in considerable danger or damage to the toilet.
- Cleaning and user maintenance may not be carried out by unsupervised children.
- Do not use any explosive substances or flammable cleaning agents when maintaining the toilet.



CAUTION!

- Young children must be supervised when they use Cinderella incineration toilets.

3.3 SAFE OPERATIONS



WARNING!

- The ash container in the toilet will become very hot when the toilet is in use. Make sure the safety cover is in place when the toilet is in use. Do not empty the ash container until the toilet has cooled completely.
- The seat does not have a soft-close function, take care not to crush your hands or fingers when closing the seat or lid.

3.4 CINDERELLA COMFORT SAFETY FEATURES

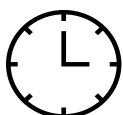
- The incineration process is inactive while the toilet lid is open. The incineration will not start until the seat and lid are closed.
- The hatch to the incineration chamber CANNOT remain open while the toilet is still hot (e.g. during cleaning). This is only possible when the toilet has cooled down and the fan has stopped.
- Should a ventilation problem arise and the internal temperature of the toilet increases to more than 105 °C, incineration will be interrupted and a warning message displayed. This situation requires a manual reset to ensure the ventilation issue is addressed before the toilet can be used again.
- If the ash container is improperly positioned after emptying, incineration will not start and a warning light and message will be displayed.
- If the combustion chamber hatch mechanism gets jammed or is prevented from closing properly, incineration will not start and an error message will be displayed.
- The Cinderella Comfort's smart software includes a "watchdog" function that monitors the temperature while incineration is taking place. If any deviations from the normal temperature range are detected, this will immediately result in the incineration stopping and a warning message being displayed.

3.5 IMPORTANT USER INFORMATION



NOTE!

- Always remember to place a new liner in the toilet bowl before use, one liner per visit.
- The toilet lid must always be closed when the toilet is not in use. Incineration will not start or continue until the lid has been closed.
- The incineration cycle could take up to 180 minutes from the most recent visit.
- The fan will continue to run until incineration is completed and the internal temperature of the toilet has returned to the normal range. The cooling phase can exceed 120 minutes after incineration is completed, depending on the temperature of the air provided for cooling.
- Your Cinderella toilet may be used at any point during the incineration or cooling processes. Incineration is interrupted during use. Be sure to close the lid and press "Start" at the completion of each visit.



Capacity: 4 persons

The Cinderella Comfort toilet is designed to handle up to three persons. To avoid overload, more than three people using the toilet is unadvised. Overloading the toilet with many visits in a short period of time, without completing an incineration cycle, can result in odours and leakage, and may damage the toilet.



Empty

Emptying Frequency

The total liquid capacity of the system's waste container is 5 L (1.1 gallon). The ash container should be emptied frequently (once a week) for best operation. This ensures more efficient incineration and helps keep the catalytic converter cleaner.

If your ash container has not been removed (by weekly emptying routines), your Cinderella Comfort will display a message to empty the container after 90 incineration cycles, and will lock out further visits if not emptied after 120 visits. We recommend that you empty the toilet as often as possible to ensure better incineration efficiency and less wear of the product.

Failing to empty the ash container when full may cause damage to the toilet and void your warranty.



Long period

Preparing your toilet for a lengthy period of non-use

In cases of longer periods of non-use or risk of lightning strikes, the plug should be disconnected from the power supply in order to protect the toilet against external damage. NB! The waste must be incinerated and the yellow light switched off before disconnecting the plug. If unburned waste remains in the toilet, this could cause substantial damage over time. The toilet should be stored dry, and to reduce the external influences of temperature variations and moisture, it may be wise to disconnect the toilet from the pipes for longer periods of non-use. Remember to always reinstall the toilet before use.



Short period of increased use

Should the situation require an unusually high number of guests to use the toilet for a short period of time, please follow these tips:

1. Empty the ash container completely before guests arrive.
2. Preheat the toilet before use by opening and closing the lid then pressing the Start button.
3. Ensure guests are instructed to use a bowl liner and press "Start" after every visit.
4. Check regularly to ensure the toilet lid is closed and the yellow incineration light is still lit.
5. You may need to run an extra incineration cycle or two before emptying the ash container to ensure that the waste has been fully incinerated.

3.6 THE CONTROL PANEL

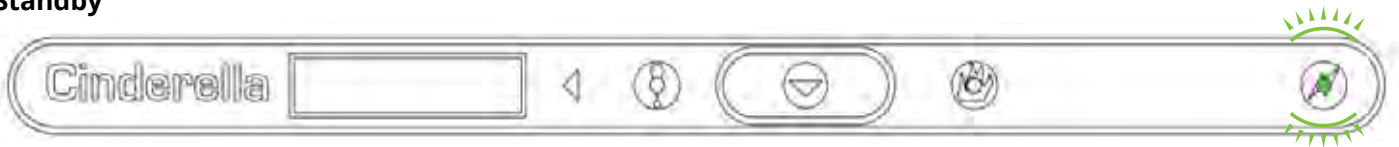
The control panel is equipped with a combination of light, sound and display messages that will give the best possible user experience. There are a number of light and sound combinations that will tell the user about the status of the system. It is important that all users familiarize themselves thoroughly with these signals before use. An overview of all the light and sound signals can be found in the troubleshooting table in section 5.1.



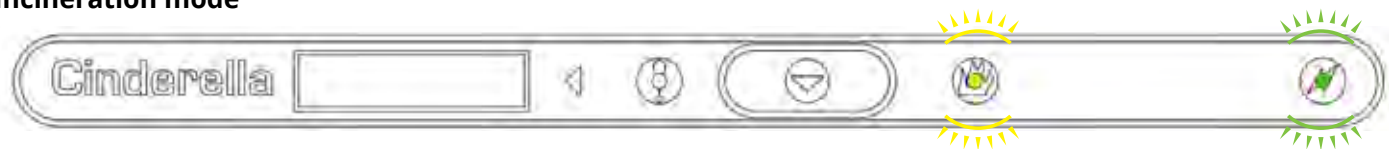
NOTE!

- A green light indicates that the toilet is connected to the power supply. When only the green light is lit, the toilet is in standby and ready for use.
- A yellow light indicates an ongoing incineration process and will light constantly while the toilet is in incineration mode
- A red light indicates interruption and will alert the user that the toilet is no longer incinerating or in standby.

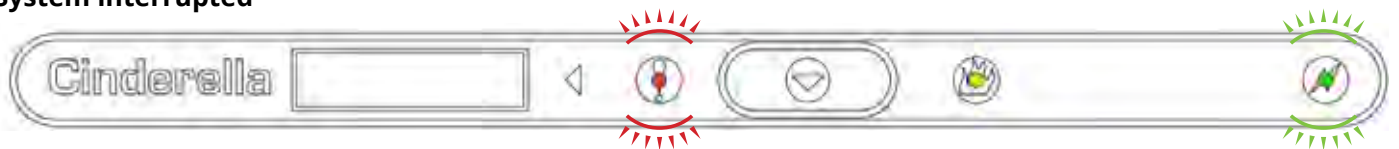
Standby



Incineration mode



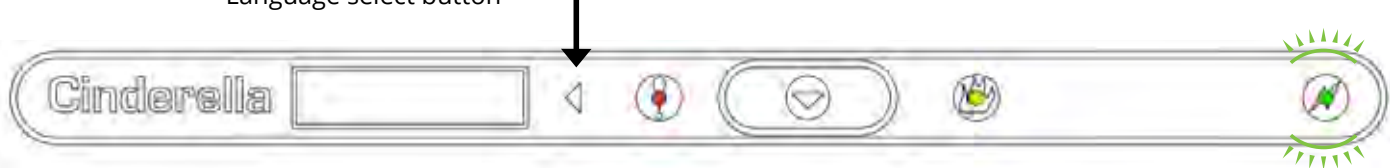
System interrupted



Selecting your language

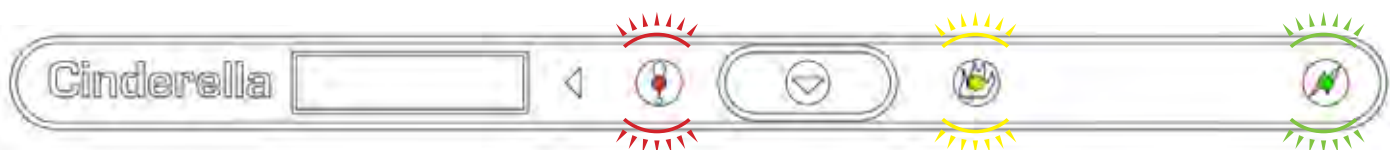
Hold down the "Select language" button for three seconds until "Language" is displayed on the first text line. The current language will be displayed on the second line. Push the "Select language" button repeatedly until the desired language is displayed. The new language will automatically be saved a few seconds after you have chosen your language, and the toilet will resume operation.

Language select button



Emptying indicator

Your Cinderella Comfort will indicate when it is time to empty the ash container. The display will read "EMPTY THE ASH CONTAINER" and you will hear three short beeps when the toilet lid is opened. If not emptied within a certain amount of uses, the toilet will lock down. At this point the yellow, red and green lights are constantly lit and the display will read "TOILET LOCKED CONTAINER FULL". You will hear three short beeps every ten seconds until the ash container is emptied.

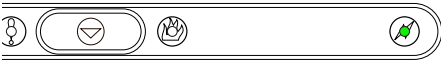


NOTE!

The ash container will usually only be half full when you get the indication to empty the ash, you should still empty the ash as emptying it often improves the incineration efficiency.

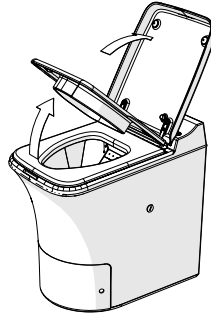
3.7 USING THE CINDERELLA COMFORT TOILET

1



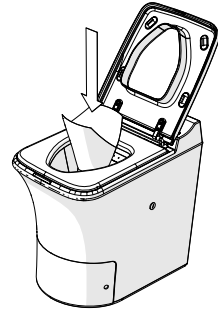
1. Check that the green light on the control panel is lit, indicating the unit is powered and ready for use.

2



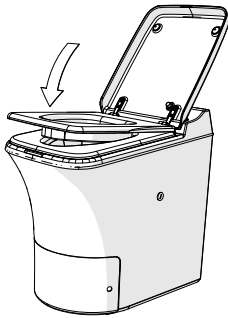
2. Lift the toilet lid and seat. A red light starts flashing. The ventilation fan starts.

3



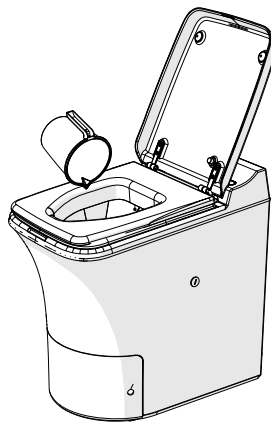
3. Place a bowl liner in the bowl. Use a new bowl liner for every visit.

4



4. Lower the seat. The toilet is ready for use.

5



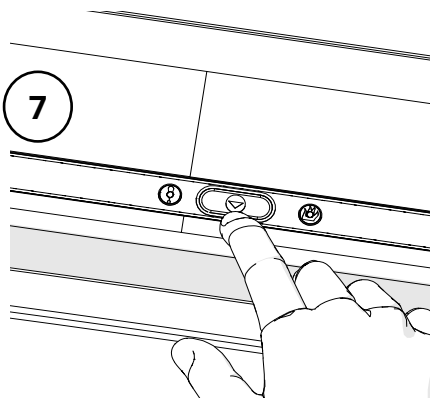
5. Use the toilet as usual. If little waste is produced, it may be helpful to pour some water into the bowl to add weight.

6



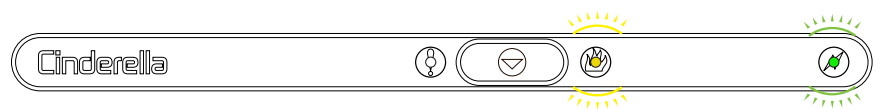
6. Close the toilet lid.

7



7. Push the "Start" button to drop the bowl liner and its contents into the incineration chamber. Incineration begins as soon as the hatch is closed. The toilet is now ready for the next user.

8



8. A constant yellow light will display during active incineration. The toilet may be used at any point. This will temporarily interrupt incineration. Incineration time may vary based on the number of visits and amount of waste.

3.8 OPERATING THE FRONT COVER AND ASH CONTAINER



WARNING!

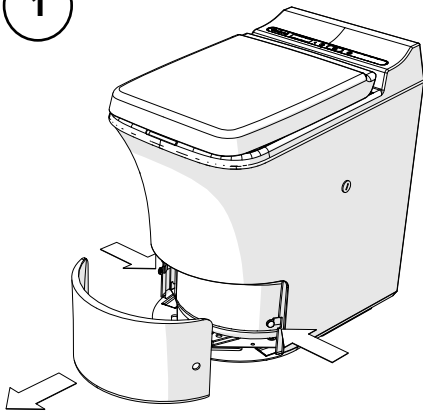
Only operate the ash container when the toilet is cooled and in standby mode.



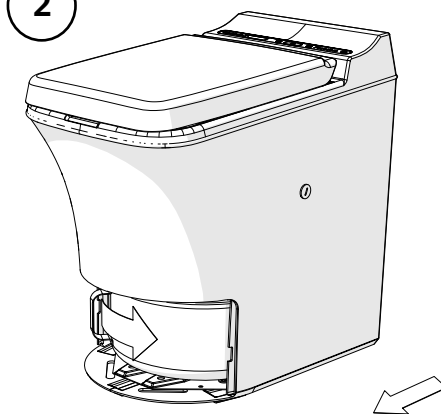
NOTE!

Please see the maintenance section for instructions regarding cleaning and emptying the ash container.

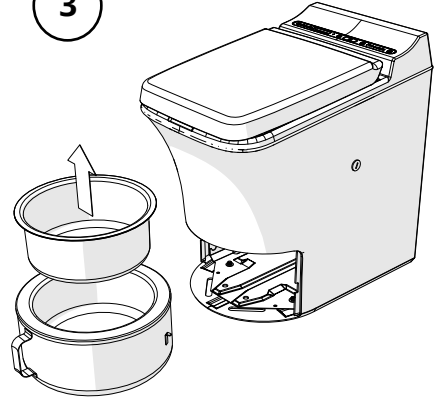
1



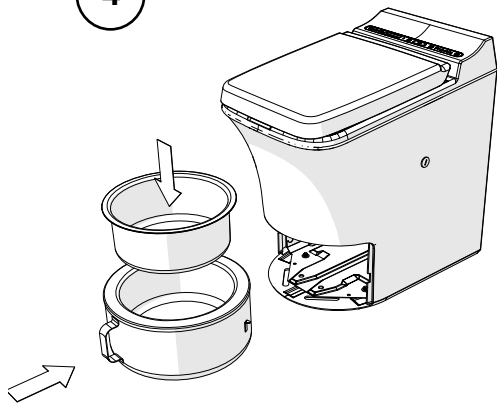
2



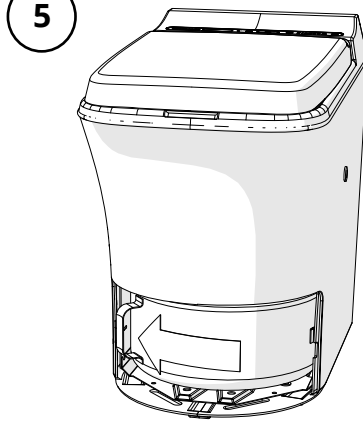
3



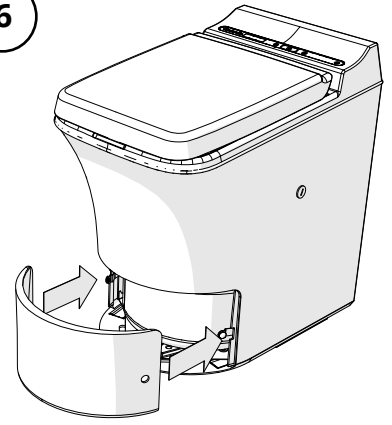
4

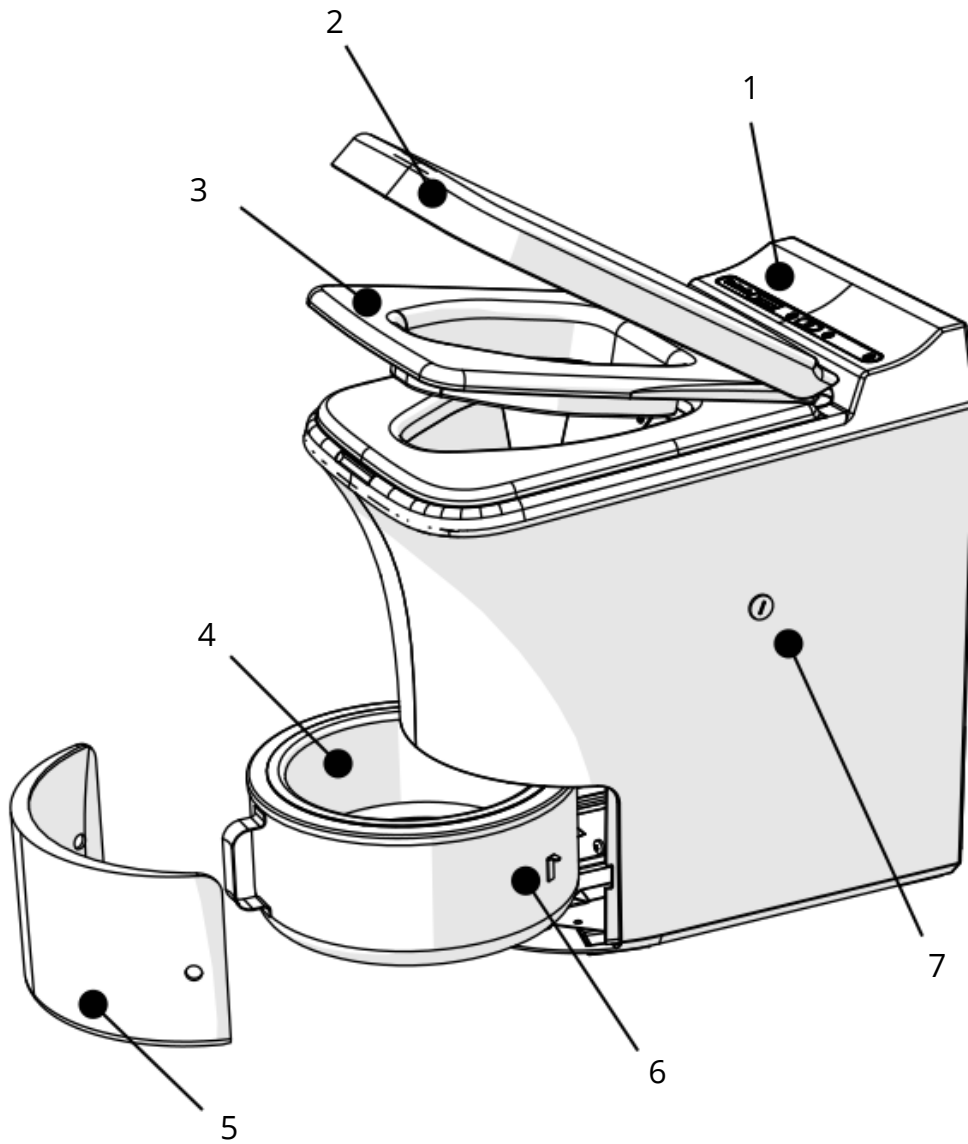


5



6





ID	PART DESCRIPTION
1	Control panel w/display
2	Lid
3	Seat
4	Ash container with insert
5	Front cover
6	Stop pin
7	Temperature safety

4. GENERAL MAINTENANCE INSTRUCTIONS

This manual includes both customer maintenance and the maintenance to be performed by professionals in accordance with the necessary expertise and authorizations.

A smooth-running air circulation system is critical to keep your toilet functioning properly. Particles generated during the incineration process can clog the catalyst and exhaust pipe over time, and it is important to regularly maintain these parts to ensure proper functionality.

In order to ensure optimal operation and extend the lifetime of your Cinderella Comfort appliance you will need to set aside a little time for preventive maintenance. Good maintenance routines will give you lower operating costs and cause less wear on the product. We strongly advise our customers to perform frequent maintenance as follows:

1. Empty the toilet frequently. Do not base your use on the maximum limit of the appliance.
2. Always clean the ash container and insert when emptied (see section 4.2.1).
3. Always perform the steam cleaning after each box of bowl liners (500 uses), preferably after each emptying and washing of the ash container. (See section 4.2.2).
4. Always observe the end result characteristics when emptying the toilet. Deviations in the end result may indicate the need for maintenance or service (see section 4.1).

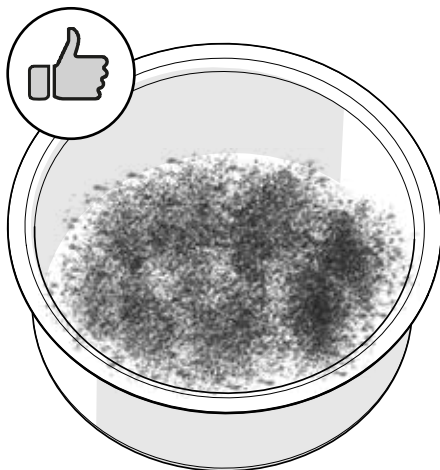


WARNING!

Before performing maintenance, always make sure that the toilet is not in incineration mode and that the toilet is sufficiently cooled.

4.1 END PRODUCT CHARACTERISTICS

The residual waste, or “ashes”, will consist of pathological residue, salts and minerals, and will therefore often be perceived as hard and crystallized. There should be no visible signs of paper or flaky layers of unburned waste, the ashes should be a combination of white and dark shade of grey. If there are larger deposits of black unburned waste, humidity or paper when emptying the toilet, please start an additional incineration without inserting paper or water. When the incineration is completed, empty the ash container and perform the maintenance procedures as instructed in this manual.

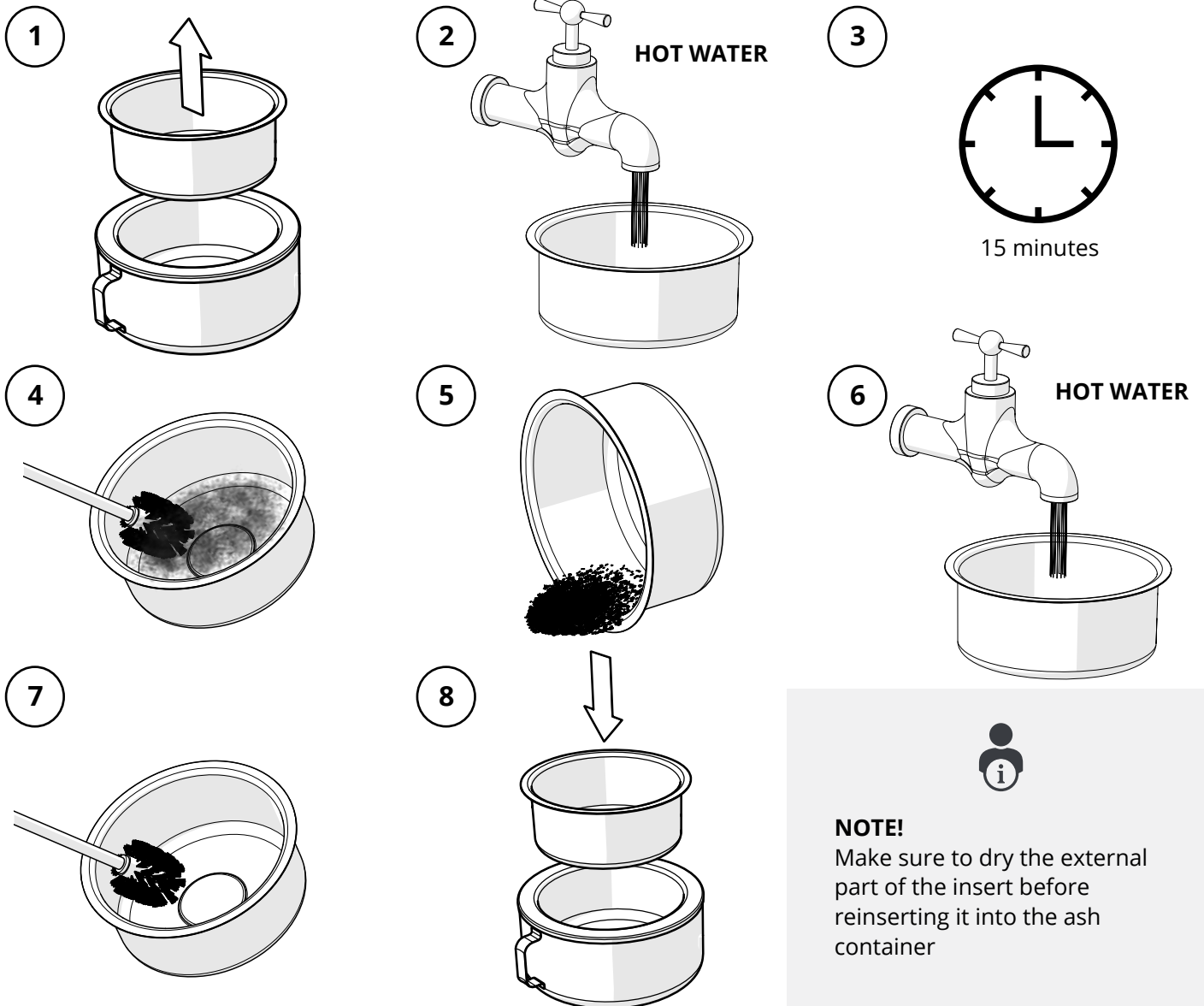


CAUTION!

- The ash is not suitable to use as fertilizer or compost. It should be disposed of in your household waste in accordance with relevant public regulations.
- The remaining ash is sterile and safe to handle when it has incinerated to a light colour. If the ash is black and flaky or the incineration cycle was incomplete, run an extra incineration cycle to ensure that the ash has been fully incinerated. If the problem persists, see the troubleshooting section for further advice.

4.2 CUSTOMER MAINTENANCE

4.2.1 EMPTYING AND CLEANING THE ASH CONTAINER



NOTE!
 Make sure to dry the external part of the insert before reinserting it into the ash container

CAUTION!
 Do not use any sharp tools or objects when cleaning the ash container insert, as this will damage the insert and reduce its service life.

NOTE!

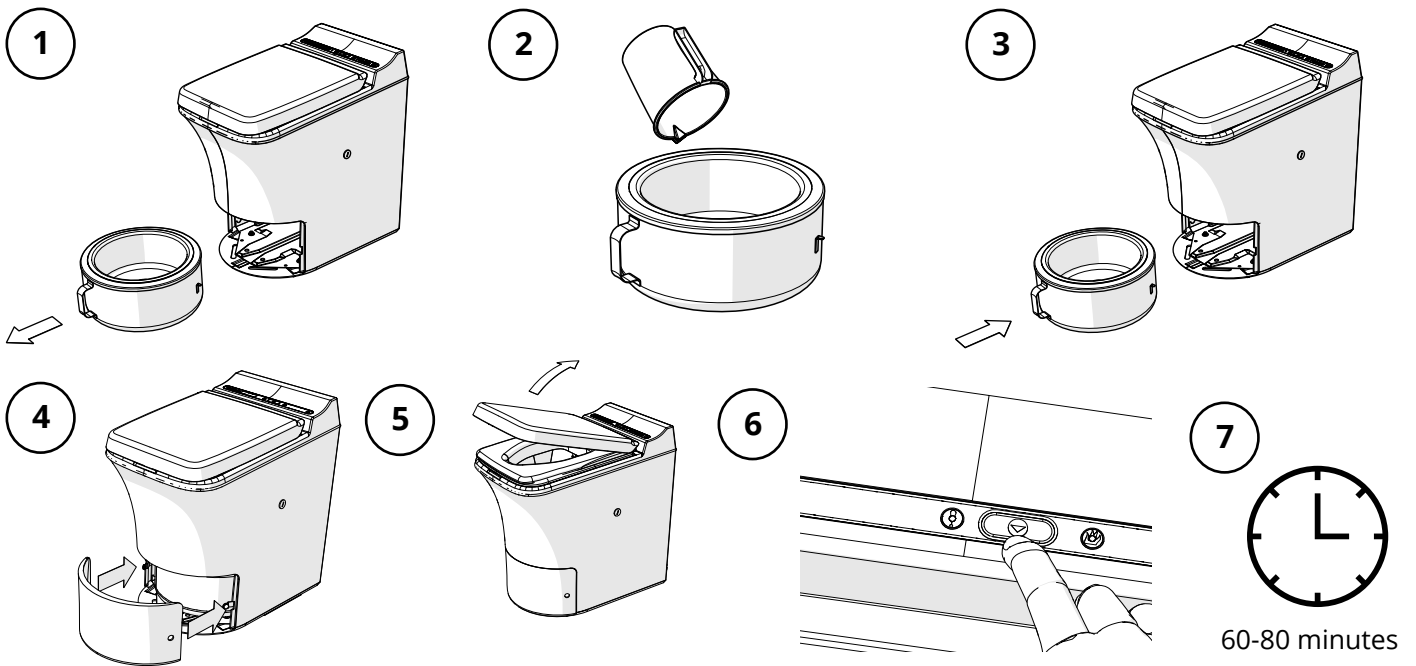
- In order to preserve the functionality of your toilet in the best possible way, we recommend that you carry out the "steam cleaning" procedure in accordance with section 4.2.2 every time you empty and wash the insert. This will prevent the possible accumulation of tar and unwanted deposits in the catalytic converter and toilet exhaust system.
- When emptying the toilet, make sure that the grid power is connected. Emptying the appliance without power will not enable the system to reset the use counter.

4.2.2 STEAM-CLEANING THE CATALYTIC CONVERTER

Recommended frequency: When emptying the ash container or at least every 500 uses. To perform steam cleaning:

1. Ensure that the toilet is cold and the ash container has been emptied and cleaned (see section 4.2.1).
2. Remove the front cover and release the ash container
3. Pour approximately 1 L of clean water into the toilet insert

4. Insert the ash container carefully without spilling any water, and attach the front cover.
5. Lift the lid and verify that the fan starts spinning.
6. Press "Start" to begin an incineration cycle.
7. The water will start to boil and the steam will clean out any debris in the catalytic converter. This system cleaning will normally take 60–80 minutes.



NOTE!

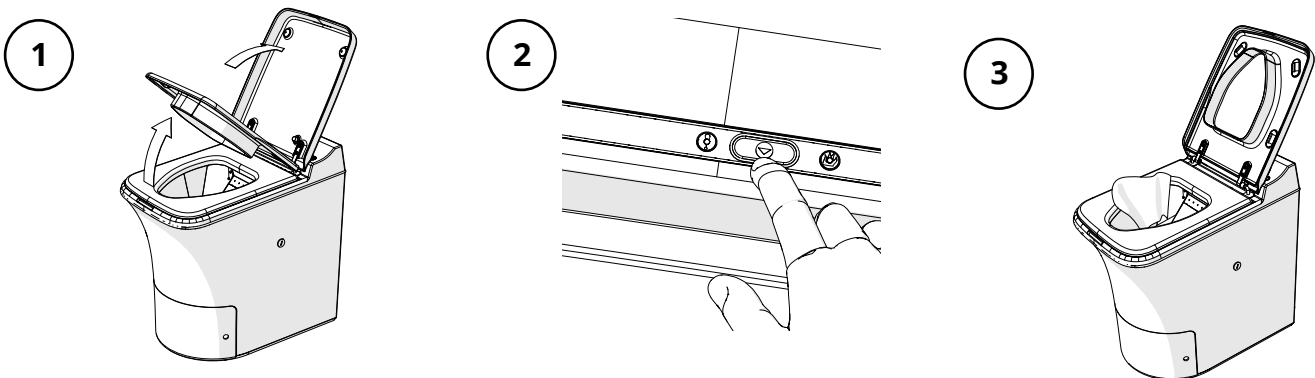
Do not use the toilet during the maintenance procedure, as this will impair the function of the cleaning. The toilet can be used when the toilet returns to standby mode.

4.2.3 CLEANING THE BOWL

Recommended frequency: as required for cleanliness and when emptying the ash container.

To clean the bowl:

1. Open the toilet lid.
2. Press and hold the Start button for three seconds to open the hatch to the washing position.
3. Use moist paper, water and a mild cleaning agent as required. Close the lid and start the incineration



DANGER!

Do not use flammable cleaning agents to clean the bowl. Some metal edges may be sharp. The toilet needs to be cooled and in standby mode before cleaning the bowl.



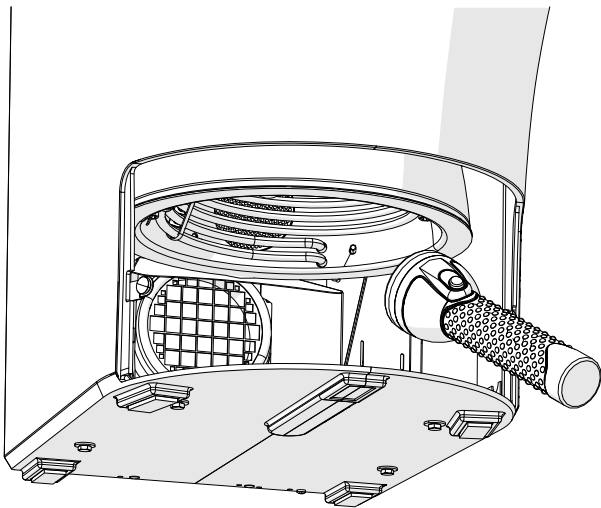
CAUTION!

Do not use chlorine-based cleaning agents to clean the bowl. Chlorine is extremely harmful for the catalytic converter and if put into the toilet it may cause the catalyst to malfunction.

4.2.4 INSPECTING THE CATALYTIC CONVERTER

Recommended frequency: Every 500 uses.

The catalytic converter is the primary air duct between the incineration chamber and the appliance flue terminal. Any accumulations of particles in the catalytic converter will reduce the flow rate and the toilet efficiency, and may be the cause of bad odour. It is therefore important to ensure that the catalytic converter is open at all times. Any changes in incineration time, incineration efficiency or odour, may be due to dense catalytic conversion. The best method to easily clean the catalyst is to perform "steam cleaning" as described in section 4.2.2. You can also inspect the front of the catalyst by removing the ash container and illuminating the combustion chamber from the inside. Any remaining particles or odours persisting after steam cleaning will have to be removed by rinsing the catalytic converter with hot water as described in section 5.3.2.



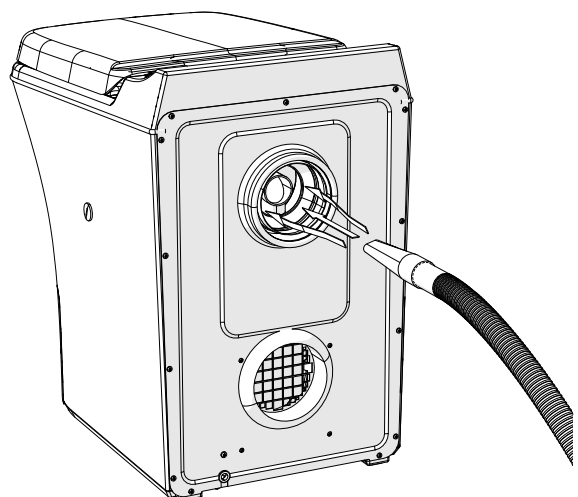
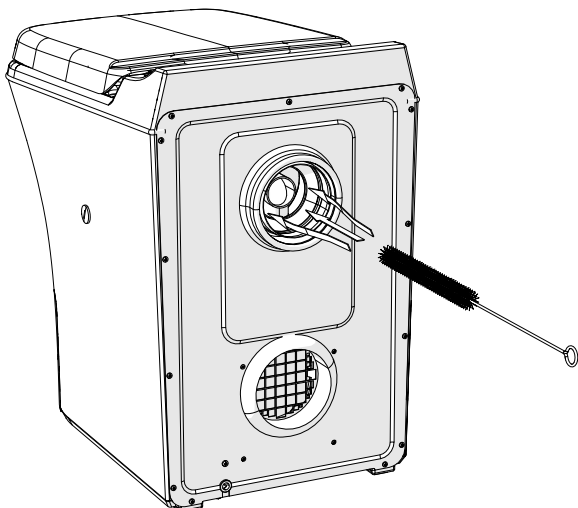
NOTE!

Clear signs of corrosion or deformity of the catalytic converter will indicate that the catalytic converter must be replaced. Contact your local service provider to arrange for service.

4.2.5 CLEANING THE APPLIANCE FLUE TERMINAL

Recommended frequency: at least every 500 uses.

1. The appliance will have to be disconnected from the flue pipe and power source.
2. Clean the flue terminal with a flexible brush, it is important that you clean both the exhaust pipe and surrounding venturi all the way back to the fan blades, this to get sufficient air flow.
3. Remove the ash container and clean out any debris in the container.
4. Use a vacuum cleaner to extract the remaining debris in the exhaust pipe and catalytic converter.
5. Reconnect the appliance to the flue pipe and power supply.
6. Install the ash container and front cover.
7. It is recommended that you perform a steam cleaning as described in section 4.2.2 after performing the flue terminal maintenance.

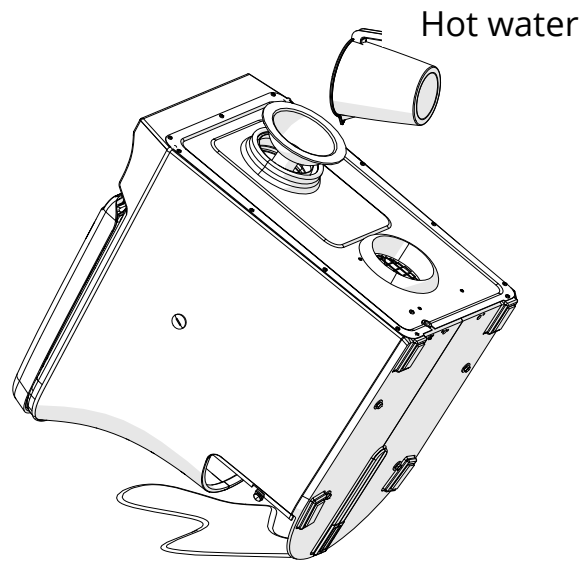


4.2.6 RINSING THE CATALYTIC CONVERTER WITH HOT WATER

Recommended frequency: at least every 500 uses.

Rinsing the catalytic converter with water may be necessary in situations where steam cleaning do not remove the particles or bad odours. This procedure requires heavy lifting and a facility where spillage of water is acceptable. Make sure to perform steps 1.-4. in the "Cleaning the appliance flue terminal" (4.3.1) procedure and follow the steps as follows.

1. Place the toilet where it is OK to spill water, e.g. where there is a suitable drain, outside or in a bath. Use the specially designed Cinderella funnel, or a funnel that fits in the exhaust pipe. Slightly tilt the toilet forward, and pour 2-3 L of hot water through the exhaust pipe and catalyst. The excess water should be clean at the end of the rinsing process. If necessary, use more water to properly clean the system.
2. Repeat step 1 4-5 times until the water is clean and no crystals or other obstructions can be spotted when inspecting the catalyst (see section 4.2.4)
3. Reconnect the appliance to the flue pipe and power supply.
4. Install the ash container and front cover.
5. Perform the performance test as described in section 2.8



NOTE!

Before disconnecting the appliance and rinsing the system with hot water, inspect the catalytic converter and perform steam cleaning in accordance with section 4.2.2. If the catalytic converter is still clogged, or odour is still noticeable when incinerating, perform the system rinsing in accordance with section 4.3.2.



CAUTION!

The front of the outer shell is thin and should therefore not carry the entire weight of the toilet. Be gentle while tilting the appliance and make sure that the toilet is placed in such a position that the toilet shell is safeguarded. It is advised to be two people to do this operation, where one can hold the toilet while the other rinses the catalytic converter.

5. TROUBLESHOOTING AND FAQ



WARNING!

Service must be performed in accordance with all state, municipal and local codes. If you are unsure of the regulations in your area, please contact your nearest dealer or service representative for further instructions. The power should be disconnected when performing all servicing and maintenance on the toilet.

Online Troubleshooter Module

The sound and light signals on the toilet control panel indicates the operating status of the toilet. Downtime and faults in the toilet will be notified with various sound and light signals as described in section 5.1 in this manual. We have gathered the most common errors / problems in a online troubleshooter, so that you can easily get answers to what is wrong with your toilet, and get suggestions on how you can solve the problem yourself.

Resetting the toilet system

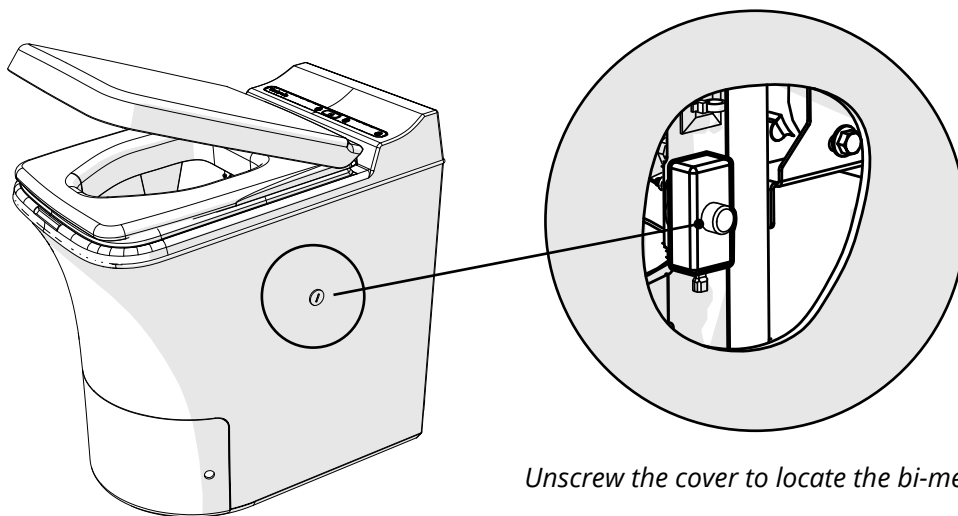
During cleaning and troubleshooting, resetting the electronics may sometimes be helpful. You can do this by pressing the "Start" button. This will cause a short beep to sound. Hold down the button for about eight seconds until you hear a long beep, then release the button.

Error messages

When lights are flashing, you should look for the reason, and fix the problem before using the toilet. You must take immediate action in the event of any irregularities such as odours, poor incineration or system failures, in order to avoid damage and unnecessary repair costs.

Triggered bi metal thermostat

The bi metal thermostat is triggered if the internal temperature in the toilet is too high. This will normally occur if there is a lack of air flow, or restriction in the inlet- or outlet section of the installation. It is therefore important that you check that the intake air is in accordance with the specifications, and that the flue vent is open and free of obstacles. Visually check the catalytic converter and perform the steam cleaning procedure in accordance with section 4.2.2. To reset the thermostat, unscrew the plastic screw on the side of the appliance, press the button and screw back in.



Unscrew the cover to locate the bi-metal switch.

During a power outage

If an incineration process is ongoing during a power outage, you may experience temporary odours from inside the toilet and smoke and odours from the flue pipe outside. Since the incineration will not automatically restart when the mains power returns, you must manually start a new incineration cycle. If the power outage is expected to last for longer than two hours, it is important that you empty any waste from the toilet, as this could damage the toilet if it remains there for a longer period of time. Never use the toilet during a power outage.

Odours in the room

Odours can have several causes:

1. Failure to use a bowl liner each time the toilet is used or improper use of the liner.
2. The airflow may be blocked. Inspect the flue pipe and flue termination cap.
3. Check that the installation has been performed in accordance with the installation manual. Too much restriction in the flue pipe could cause back pressure and cause odours inside.
4. The exhaust pipe may be clogged. See section 4.3.1.
5. The catalyst may be clogged. See section 4.3.2.
6. The outlet pipe is not properly fixed to the toilet. See section 2.5.2.

Odours outside

The causes may be the same as for inside the room, or:

1. The catalyst has not reached operational temperature. When the toilet is cold it can take a few minutes before the catalyst reaches the temperature where it starts to function properly.
2. The catalyst may be corroded or deformed. Contact your servicing provider.

5.1 TROUBLESHOOTING TABLE



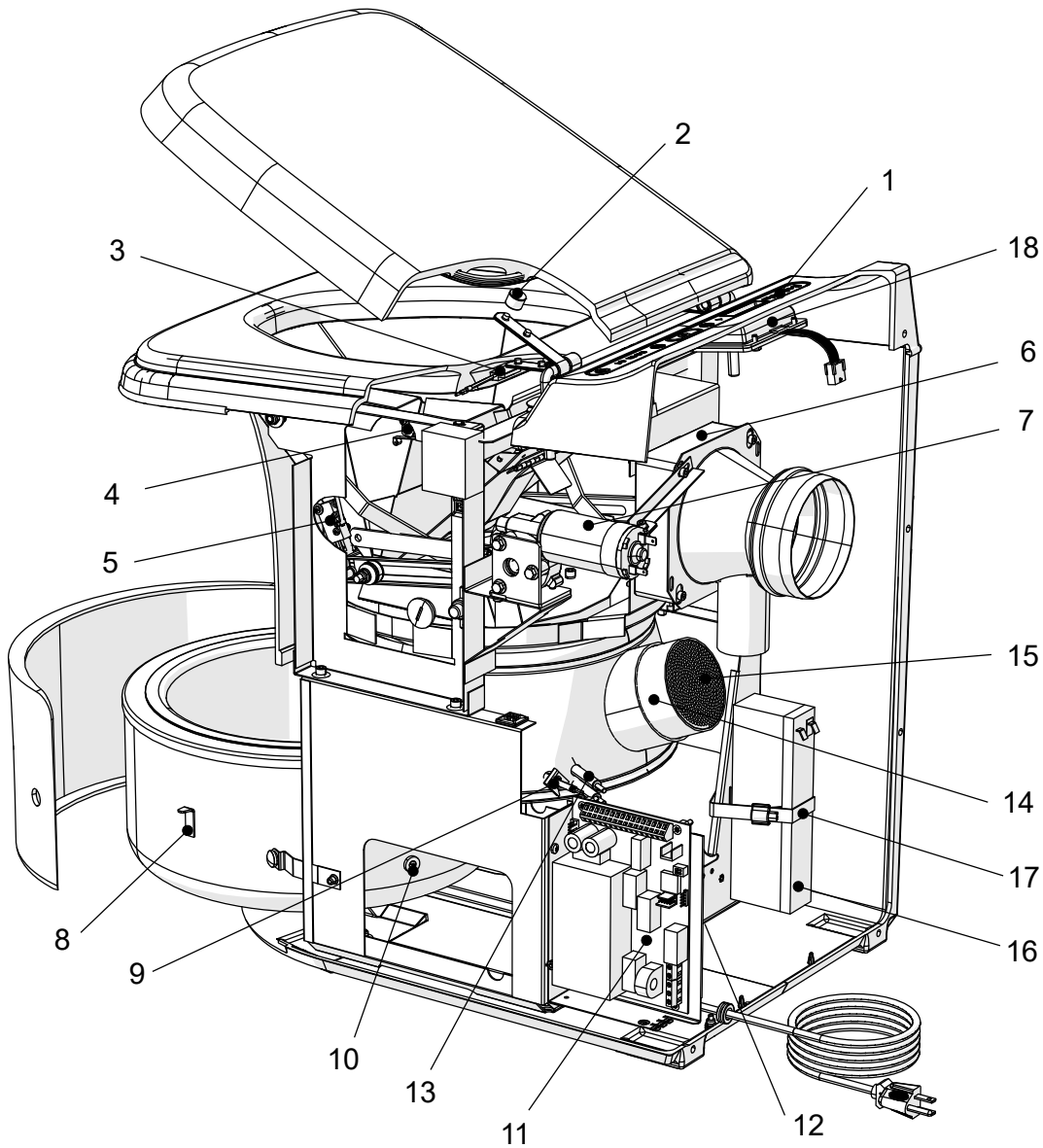
NOTE!

Cinderella has developed a digital troubleshooting module that can be found on our website. This module will work as a guide and supplement in addition to the troubleshooting table. Please visit www.cinderellaeco.com

ERROR	DISPLAY MESSAGE	RED LIGHT	YELLOW LIGHT	GREEN LIGHT	SOUND	ACTIONS
Ash container should be emptied	Empty the ash container	FLASHING Alternately	FLASHING Alternately	STEADY ON	3 BEEPS	1 Remove and empty the ash container * Toilet must be connected to 230V.
Ash container must be emptied. Toilet locked.	Toilet locked container full	STEADY ON	STEADY ON	STEADY ON	3 BEEPS 10 SECONDS APART	1 Remove and empty the ash container * Toilet must be connected to 230V.
No power		OFF	OFF	OFF		1 Make sure that the toilet is connected to power, 230V AC
Ventilation fan error	Error fan	FLASHING	OFF	FLASHING	10 BEEPS	1 Check fan for obstructions and ensure that fan is rotating properly. 2 Reset toilet (hold down "Start"). 3 Open lid until red light flashes, close lid and press "Start". If error persists, call support
Malfunctioning hatch mechanism	Error hatch mechanism	FLASHING	OFF	STEADY ON	10 BEEPS	1 If toilet is warm, reset toilet 2 Open lid until red light flashes, close lid and press "Start" 3 If unsuccessful, reset toilet, insert a bowl liner and pour 3 cups of water into the liner, close lid and press "Start" 4 If unsuccessful wait until the toilet has cooled (fan stopped) Restart toilet and open lid when the hatch is opening, remove stuck items manually. If problem persists, call support 5
Ash container out of position	Ash container out of position	FLASHING	FLASHING	STEADY ON	3 BEEPS	1 Adjust the position of the ash container, rotate to the left side 2 Check that the stop pin on the container is intact 3 Visually check the condition of the magnet on the container. If problem persists, call support
Heating circuit interrupted	Error heating circuit	OFF	FLASHING	STEADY ON	CONTINUOUS BEEPS	1 Reset the toilet. 2 Check bimetal thermostat on right-hand-side of toilet. Unscrew grey plug and push on fuse inside with finger: do not use any sharp objects If the fuse was triggered, you will hear a click. See section 5. 4 If the fuse was not the problem, restart toilet and try to start toilet. Repeat a couple of times. If problem persists, call support
Toilet lid sensor is triggered	Lid is open	FLASHING	OFF	STEADY ON	NONE	1 Check the magnet situated inside the toilet lid and close lid. If problem persists, call support.
Malfunctioning temperature sensor	Error temp sensor	OFF	FLASHING	FLASHING	CONTINUOUS BEEPS	1 Reset toilet 2 Open lid until red light flashes, close lid and press "Start" 3 If failure persists, call support
Unreadable / no display message	Unreadable / blank screen					1 Unplug toilet and wait 5 minutes 2 Plug in toilet and restart toilet 3 If problem persists, call support

6. REPAIRS AND SPARE PARTS

6.1 SPARE PARTS LIST



ID	PART DESCRIPTION	ART. NO	ID	PART DESCRIPTION	ART. NO
1	Control panel Comfort w/display	100115	12	Hall sensor w/ wire reduced length	100965
2	Magnet 14x10mm	100433	13	Heater element assembly 230VAC	100862
3	Hall sensor w/ wire and tape L= 330mm	100964	14	Insulation fabric catalytic converter	100163
4, 5	Micro switch	101127	15	Catalytic converter 90x75mm	100528
6	Fan axial 12VDC 119x38mm	100154	16	Battery 12V	100083
7	Motor Nidec 12/24VDC	101177	17	Hose clamp 280mm A4	100932
8	Stop bracket 9x26x12mm	100017	18	Display LED 65x36x13 Standard Module	100401
9	Thermocouple assembly L=550mm	100831			
10	Magnet 14x7mm	100065			
11	Circuit board (E5)	100063			

6.2 APPLIANCE PROCESS OVERVIEW

The Cinderella appliance is designed according to fail-safe principles. In the event of component failure or faulty control signals, the toilet will go into "safety mode". This means that the unit will not be able to start an incineration and error messages will appear on the display, ensuring that all component and/ or signal failures that may occur are safeguarded in the system

The appliance is equipped with hall sensors that control both the lid and ash container. These sensors are normally open and will be triggered when in contact with the magnet(s) mounted on the outside of the container and inside the toilet lid.

When the lid is opened, the axial fan will start to ventilate the system. After each use, the incineration is activated by pressing the button on the control panel. The bowl liner with its waste contents is dropped from the toilet bowl into the incineration chamber, where it is safely incinerated at a high temperature.

The hatch mechanism is controlled by two microswitches, one mounted on the top of the toilet frame to check that the hatch is in the desired "open" position, and one mounted on the lower front end of the appliance ensuring that the hatch is in safe, enclosed position.

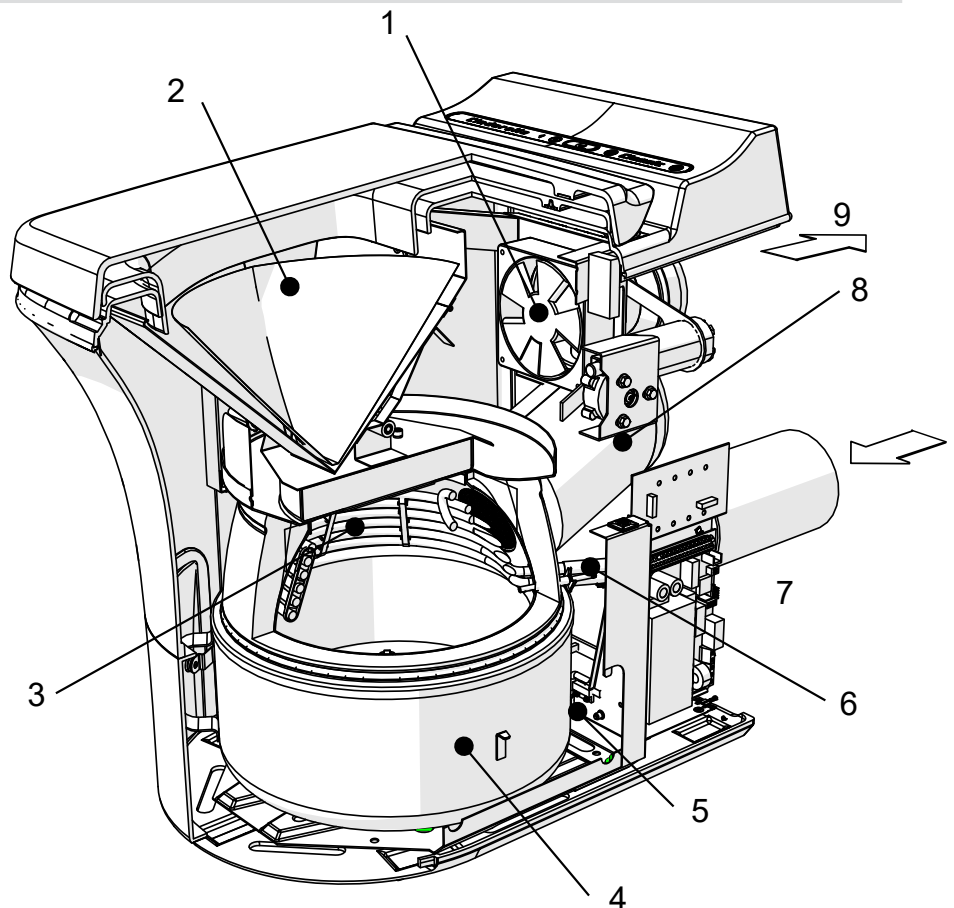
During incineration, the air supplied into the room provides the oxygen required for proper Incineration. The exhaust vent removes excess heat. All fumes and vapours are processed through a heat-activated platinum catalyst to reduce emissions and odours.

The temperature inside the incineration chamber is closely monitored by the thermocouple mounted inside the chamber, the temperature inside the toilet is safeguarded by the bimetal thermostat mounted on the interior frame of the toilet.

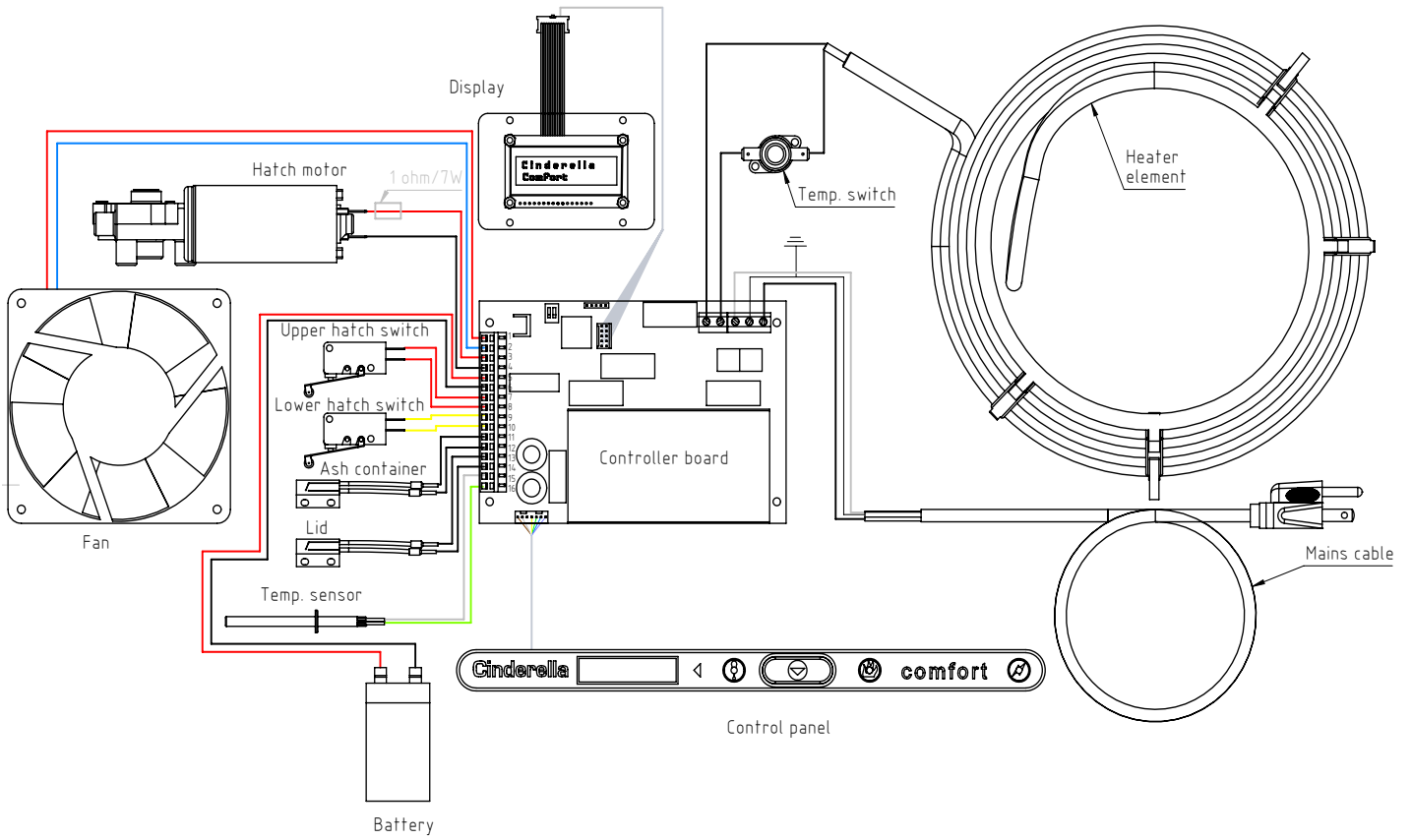
The incineration process can take 40 – 180 minutes and is controlled automatically by the appliance's sensory technology. The toilet can be used at any time while incinerating. The incinerating process will be paused when the lid is opened and automatically reactivated when lid is closed. Numerous safeguards exist to ensure safe operation. See section 3.5 of this manual.

6.3 TECHNICAL ORIENTATION

ID	PART DESCRIPTION
1	Axial fan
2	Liner placed in bowl
3	Heating element
4	Ash container
5	Hall sensor
6	Thermocouple
7	Inlet air
8	Catalytic converter
9	Outlet air



6.2 WIRING DIAGRAM



7. Warranty

What does this Warranty cover?

This warranty covers defects in materials or workmanship in your Cinderella Incineration Unit on the terms, for the period and subject to the exceptions set out below.

What does this Warranty not cover?

This warranty does not cover normal wear and tear or damage caused by accidents (including fire, floods, hurricanes or Acts of God or nature), abuse, misuse, failure to follow manufacturer directions or improper maintenance. Consequential and incidental damages are not recoverable under this warranty. Some states do not allow the exclusion or limitation of incidental or consequential damages, so the above limitation or exclusion may not apply to you.

How long does the Warranty apply?

This warranty lasts for a period of three (3) years from the original date of purchase.

What will Cinderella Eco Canada Ltd. do?

If you submit a valid claim under this warranty, Cinderella Eco Canada Ltd. will either repair, replace or refund the purchase price of your Cinderella Incineration Unit, at its sole discretion.

How do I arrange a service?

To arrange a service, call Cinderella Eco Canada Ltd. or visit an Authorized Service Provider.

Available service options are dependent on the country in which service is requested and may be restricted to the original state in which the sale took place. Call charges and shipping charges may apply, depending on the location.

You may be required to furnish proof of purchase details when making a claim under this warranty.

For further warranty information please refer to our web page: www.cinderellaeco.com

How does state law apply?

This warranty gives you specific legal rights, and you may also have other rights which vary from state to state. Please check your local laws.

Cinderella Eco Canada Ltd.
2 Robert Speck Pkwy
Suite 750
Mississauga, Ontario Canada
L4Z 1H8

For sales, support and service please call (905)-281-8566

email: support.canada@cinderellaeco.com

or visit www.cinderellaeco.com

SOMMAIRE

1. SECTION GÉNÉRALE	3
1.1 INTRODUCTION	3
1.2 APPLICATION CONFORME AUX RÉGLEMENTATIONS	3
1.3 GUIDE D'UTILISATION	3
1.4 LIMITATION DE LA RESPONSABILITÉ	3
1.5 LISTES ET CERTIFICATIONS	3
1.6 EXIGENCES ENVIRONNEMENTALES	3
1.7 CONSIGNES GÉNÉRALES DE SÉCURITÉ	4
1.8 PLAQUE SIGNALÉTIQUE DES TOILETTES	5
1.9 CINDERELLA EN LIGNE	5
2. INSTALLATION	6
2.1 DÉBALLAGE DE VOS TOILETTES À INCINÉRATION CINDERELLA	6
2.2 MESURES	6
2.3 EMBALLAGES D'ORIGINE DE VOS TOILETTES CINDERELLA	7
2.4 FICHE TECHNIQUE DE L'INSTALLATION	7
2.4.1 FICHE TECHNIQUE DES PIÈCES ET MATÉRIAUX	7
2.5 INSTALLATION DE TOILETTES À INCINÉRATION CINDERELLA	8
2.5.1 INSTALLATION DES TUYAUX D'ÉVACUATION	8
2.5.2 INSTALLATION DU TUYAU D'ADMISSION HORIZONTAL	10
2.5.3 INSTALLATION DU CHAPEAU DE CHEMINÉE ORIGINAL CINDERELLA	11
2.6 CARACTÉRISTIQUES ET SPÉCIFICATIONS ÉLECTRIQUES	11
2.7 SANGLE DE SÉCURITÉ POUR LE TRANSPORT	12
2.8 LISTE DE CONTRÔLE DE L'INSTALLATION COMPLÈTE	12
2.9 TEST DE PERFORMANCE POUR VÉRIFIER LE FONCTIONNEMENT DU SYSTÈME	13
3. SECTION DE L'UTILISATEUR	13
3.1 UTILISATION PRÉVUE ET MANIPULATION	13
3.2 SÉCURITÉ GÉNÉRALE	14
3.3 FONCTIONNEMENT EN TOUTE SÉCURITÉ	14
3.4 DISPOSITIFS DE SÉCURITÉ DES TOILETTES CINDERELLA COMFORT	14
3.5 INFORMATIONS IMPORTANTES POUR L'UTILISATEUR	15
3.6 PANNEAU DE COMMANDE	16
3.7 UTILISATION DES TOILETTES CINDERELLA COMFORT	17
3.8 UTILISATION DU PANNEAU AVANT ET DE LA BOÎTE À CENDRES	18
3.9 ORIENTATION DE L'APPAREIL	19
4. INSTRUCTIONS GÉNÉRALES CONCERNANT L'ENTRETIEN	20
4.1 CARACTÉRISTIQUES DES RÉSIDUS	20
4.2 ENTRETIEN EFFECTUÉ PAR LE CLIENT	21
4.2.1 VIDAGE ET NETTOYAGE DE LA BOÎTE À CENDRES	21
4.2.2 NETTOYAGE À LA VAPEUR DU CATALYSEUR	21
4.2.3 NETTOYAGE DE LA CUVETTE	22
4.2.4 INSPECTION DU CATALYSEUR	23
4.2.5 NETTOYAGE DE LA PRISE DU TUYAU DE CHEMINÉE DES TOILETTES	23
4.2.6 RINÇAGE DU CATALYSEUR À L'EAU CHAUDE	24
5. DÉPANNAGE ET FAQ	24
5.1 TABLEAU DE DÉPANNAGE	26
6. RÉPARATIONS ET PIÈCES DE RECHANGE	27
6.1 LISTE DES PIÈCES DE RECHANGE	27
6.2 PRÉSENTATION DU PROCESSUS D'UTILISATION DE L'APPAREIL	28
6.3 ORIENTATION TECHNIQUE	28
6.4 SCHÉMA DU CÂBLAGE	29
7. GARANTIE	30

1. SECTION GÉNÉRALE

1.1 INTRODUCTION

Il est essentiel d'assurer une bonne ventilation conformément aux consignes de ce manuel afin de garantir le bon fonctionnement de vos nouvelles toilettes Cinderella. Une installation incorrecte peut entraîner un dysfonctionnement, une usure et/ou des odeurs et annulera la garantie. Lors de l'installation, veuillez respecter les réglementations techniques et administratives du pays où les toilettes sont installées.

1.2 APPLICATION CONFORME AUX RÉGLEMENTATIONS

Cet appareil est conçu pour incinérer les déchets biologiques et petits produits sanitaires tels que les tampons et les lingettes démaquillantes ou pour bébé sans alcool.

Cet appareil ne doit pas être installé dans une installation mobile ou portative telle qu'une maison mobile, un véhicule de loisirs ou une caravane.

1.3 GUIDE D'UTILISATION

Veuillez lire soigneusement ce manuel d'instructions avant l'installation et la première utilisation. Conservez ces instructions dans un endroit sûr pour toute référence ultérieure. Si vous transférez ce produit à un tiers, veuillez lui remettre également le manuel d'instructions.

Ces instructions vous fournissent les indications nécessaires pour une installation, une manipulation et un entretien corrects des toilettes. Il est important que l'installateur et l'utilisateur se familiarisent avec les instructions contenues dans ce manuel. Le manuel comprend également des informations sur l'entretien professionnel et toute autre information nécessaire à la maintenance et aux réparations.

Une version numérique de ce document et de plus amples informations sont disponibles sur www.cinderellaeco.com

1.4 LIMITATION DE LA RESPONSABILITÉ

Le fabricant ne sera pas tenu responsable de tout dommage dans les cas suivants :

- Installation défectueuse
- Dommage des toilettes en raison d'une tension de raccordement incorrecte
- Modifications des toilettes sans l'autorisation expresse du fabricant
- Utilisation à des fins différentes de celles décrites dans le manuel d'utilisation
- Non-respect des instructions d'utilisation et d'entretien
- Application non conforme aux réglementations ou dispositions
- Utilisation de sacs et de pièces de rechange d'une autre marque

1.5 LISTES ET CERTIFICATIONS

Les produits Cinderella Comfort ont été testés et approuvés par l'organisme de contrôle de sécurité des consommateurs UL et ont reçu la marque de reconnaissance C-UL-US. Cette marque indique que le produit est conforme aux exigences de sécurité américaines et canadiennes ainsi qu'aux normes applicables.



NSF PROTOCOL P157
ELECTRICAL INCINERATING
TOILETS



SPECIAL-TYPE INCINERATOR
MH61230

1.6 EXIGENCES ENVIRONNEMENTALES

- Plage de température ambiante : -20-40 °C
- Altitude de fonctionnement : Testées à 2 500 m



AVERTISSEMENT !

Lors de l'installation des toilettes Cinderella, la distance minimale par rapport à des matériaux combustibles doit être de : 50 mm sur les côtés, 50 mm de la paroi arrière.

1.7 CONSIGNES GÉNÉRALES DE SÉCURITÉ



DANGER !

Consigne de sécurité : Le non-respect de cette consigne peut entraîner des blessures graves, voire mortelles.



ATTENTION !

Consigne de sécurité : Le non-respect de cette consigne peut entraîner des blessures.



AVERTISSEMENT !

Le non-respect de cette consigne peut entraîner des dommages importants et nuire au bon fonctionnement des toilettes.



REMARQUE !

Informations complémentaires concernant l'utilisation du produit.



DANGER !

- N'utilisez pas d'aérosols près de ces toilettes lors de leur utilisation.
- N'utilisez et ne stockez pas de produits inflammables dans ou près de ces toilettes.
- Ne placez pas d'articles sur ou contre ces toilettes.
- Ne modifiez pas ces toilettes.



DANGER !

- N'utilisez pas les toilettes à incinération en cas de dommages visibles.
- Si le câble d'alimentation est endommagé, il doit être remplacé par le fabricant, le service après-vente ou toute autre personne qualifiée afin de prévenir tout risque pour la sécurité.
- Les toilettes doivent toujours être réparées par un professionnel qualifié. Toute réparation incorrecte peut entraîner de graves dangers.
- Utilisez uniquement les toilettes avec la pression indiquée sur la plaque signalétique située à l'arrière des toilettes.



ATTENTION !

- Risque d'accident par écrasement ! Ne placez pas votre main sur la charnière ou sous le siège et l'abattant des toilettes pendant que celui-ci est relevé, car il n'existe aucune fonction de fermeture amortie de l'abattant ou du siège.
- Ne videz pas la boîte à cendres lorsqu'elle est chaude.
- Avant la mise sous tension, vérifiez que le câble d'alimentation et la prise sont secs.
- N'utilisez pas cet appareil avant d'avoir lu attentivement toutes les instructions et règles de sécurité contenues dans ce manuel. Conservez ce manuel et consultez-le fréquemment afin de garantir une utilisation continue en toute sécurité et de former les éventuels utilisateurs tiers.






AVERTISSEMENT !

- Tenez toujours les toilettes par la cuvette lors du transport. Ne tenez jamais les toilettes par le cordon d'alimentation, l'abattant, la lunette ou le tuyau d'échappement.
- Risque de surchauffe ! Veillez toujours à ce que la ventilation soit suffisante pour que la chaleur et les émissions générées pendant la combustion puissent s'évaporer du tuyau de cheminée. Assurez un débit d'air suffisant pour le système. Vérifiez que la ventilation est suffisante dans la pièce des toilettes.
Veillez à ce qu'il y ait suffisamment d'espace entre les toilettes et les murs ou autres objets pour que l'air puisse circuler.

1.8 PLAQUE SIGNALÉTIQUE DES TOILETTES

La plaque signalétique est située à l'arrière des toilettes à incinération. Vous y trouverez l'identification du modèle, le numéro de série, les caractéristiques des toilettes et les renseignements relatifs à l'assistance. Vous aurez besoin de ces informations pour contacter le service après-vente ou commander des pièces de rechange.

<p>MANUFACTURER</p>  <p>CINDERELLA ECO GROUP AS Sjøvikvegen 67, 6475 Midsund, NORWAY</p> <p>For sales and support call (905) 281-8566 or visit our web www.cinderellaeco.com</p> <p>CINDERELLA COMFORT MODEL: COMFORT NA SERIAL:</p>	<p>Appliance Specifications</p> <p>VOLTAGE..... 220-240 V AC 50-60Hz CURRENT 10 A HEATING ELEMENT:..... 2000W EL MOTOR: 12 V DC BATTERY: 12 V DC 2,6 Ah FAN BLOWER..... 12 V DC CAPACITY..... 4 VISITS PR. HOUR YEAR OF MANUFACTURING..... 2022 DESIGNED FOR STATIONARY STRUCTURES</p>	 <p>SPECIAL-TYPE INCINERATOR - MH61230</p>  <p>NSF Protocol P157 Electrical incinerating Toilets - Health and Sanitation Replaces 1983 edition of NSF Standard 41</p>
--	---	---

1.9 CINDERELLA EN LIGNE



INSCRIPTION À « My Cinderella »

Lorsque vous enregistrez vos toilettes dans l'espace « My Cinderella », vous recevrez toutes les informations sur nos produits et systèmes de soutien disponibles ainsi que des offres spéciales spécifiquement adaptées au modèle de vos toilettes. En cas de vol, les toilettes enregistrées seront dans notre base de données du fabricant.

Tableau de dépannage en ligne

Guide complet pour vos toilettes offrant des conseils utiles et des améliorations pour l'utilisateur, afin de vous permettre de résoudre les problèmes les plus courants par vous-même, sans avoir à faire appel à une assistance quelconque.

Accès facile aux informations

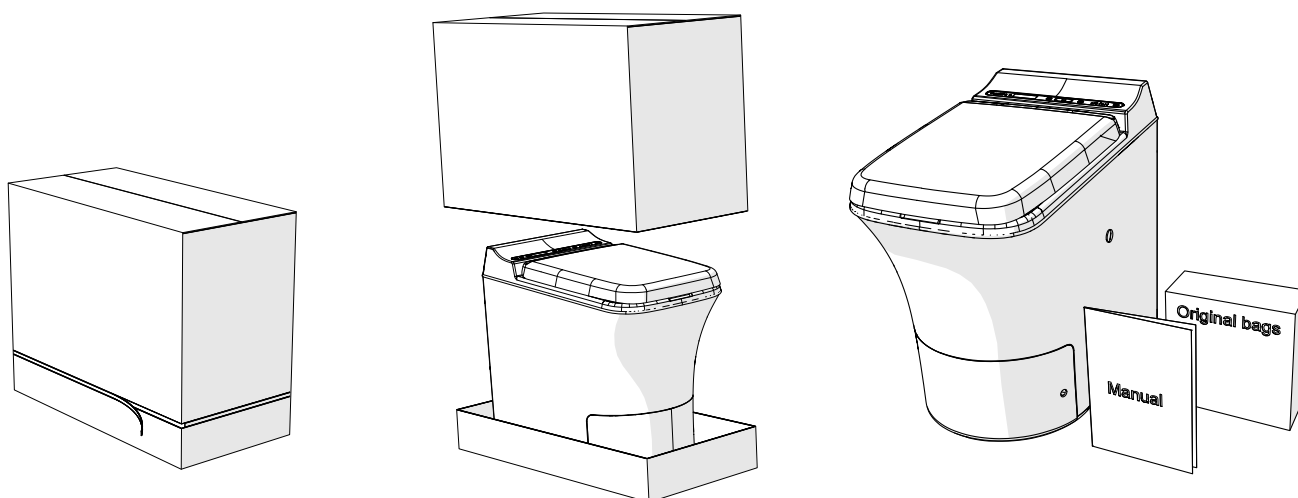
Vous pouvez télécharger les documents sur nos produits depuis notre centre de documentation en ligne où vous trouverez les manuels d'entretien ainsi qu'un manuel sur le démontage des déchets électriques et électroniques (WEEE).

Après-vente et pièces de rechange

Sélectionnez le pays d'origine pour recevoir une liste des concessionnaires locaux à contacter pour l'entretien et les pièces de rechange.

2. INSTALLATION

2.1 DÉBALLAGE DE VOS TOILETTES À INCINÉRATION CINDERELLA



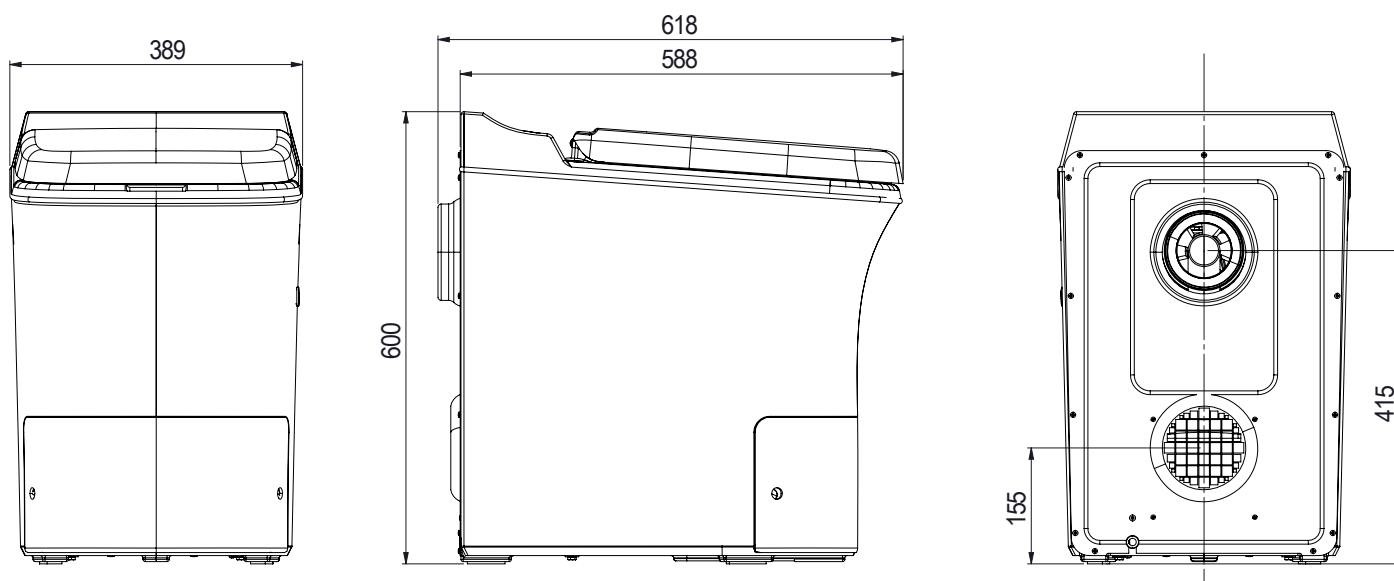
REMARQUE !

Lors du déballage des toilettes Cinderella, utilisez la bande intégrée en bas de la caisse. Détachez la bande et soulevez la caisse.

ARTICLES INCLUS	QTÉ
Cinderella Comfort	1
Sacs	100
Le manuel du produit	1

2.2 MESURES

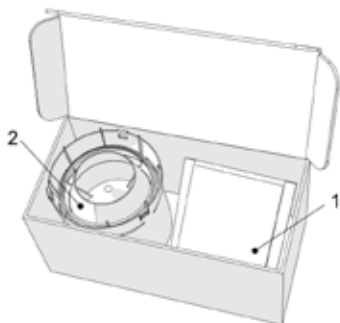
	IMPÉRIAL	MÉTRIQUE
Hauteur du siège	21 1/4 po	540mm
Hauteur	23 5/8 po	600mm
Largeur	15 3/8 po	390mm
Profondeur	23 1/4 po	590mm
Dim. extérieure du conduit/tuyau de ventilation	4 1/16 po	110mm
Poids	75 livres	34kg



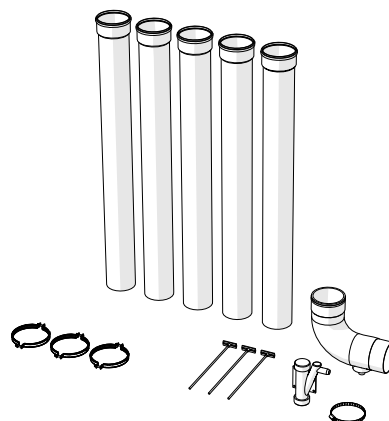
2.3 ORIGINAL INSTALLATION PACKAGES FOR YOUR CINDERELLA TOILET

Kit Arctic d'isolation Cinderella : Cinderella a créé un kit d'isolation spécialement conçu qui vous donne un avantage supplémentaire lors de l'installation dans des environnements froids. Ce kit, spécialement conçu pour les toilettes à incinération Cinderella, consiste en une couche isolante à l'intérieur de la cuvette qui limite l'accumulation d'eau et de glace sur vos toilettes. Cela réduit l'usure de votre produit et de son intérieur. Contactez votre concessionnaire ou visitez notre page d'accueil www.cinderellaeco.com pour toutes informations complémentaires.

Kit d'installation d'origine Cinderella : Cet ensemble complet comprend les tuyaux et les pièces nécessaires pour effectuer l'installation. Le kit d'installation comprend 5 tuyaux de 110 mm de qualité PP et des colliers de serrage pour compléter la ventilation de sortie. Le kit comprend également un coude optimisé pour augmenter le débit du système et l'efficacité de l'incinération.



ARTICLES INCLUS	QTÉ
Admission d'air	1
Chapeau de cheminée	1



KIT D'INSTALLATION ORIGINAL CINDERELLA		QTÉ
1	Tuyau de cheminée mâle-femelle 1066 mm	5
2	Tige de montage mural	3
3	Collier	3
4	Coude 87 avec purge	1
5	Tige filetée 30 mm	3
6	Collier de serrage à vis sans fin	1



REMARQUE !

- Ce manuel explique et démontre comment installer au mieux vos toilettes, à l'aide des pièces incluses dans le « kit d'installation original Cinderella ». Si vous souhaitez utiliser des tuyaux et pièces différents des originaux pour installer vos toilettes Cinderella, assurez-vous qu'ils sont conformes aux spécifications décrites dans la section 2.4.1 « fiche technique des pièces et des matériaux ».
- Pour garantir le fonctionnement correct de vos toilettes à combustion Cinderella, il est essentiel d'assurer une ventilation adéquate conformément aux directives de ce manuel. Le non-respect des spécifications de fabrication ou l'utilisation de pièces non autorisées pour l'installation des toilettes provoquent des mauvais fonctionnements, de l'usure ou des odeurs et annule la garantie.

2.4 FICHE TECHNIQUE DE L'INSTALLATION

2.4.1 FICHE TECHNIQUE DES PIÈCES ET MATÉRIAUX

ARTICLE	FICHE TECHNIQUE
Tuyaux de ventilation	Les toilettes doivent être installées à l'aide de tuyaux rigides droits aux parois internes lisses avec des tolérances de température minimales de 90° Celsius (194° Fahrenheit). N'utilisez pas de conduites ni de tuyaux flexibles pour installer la toilette Cinderella Comfort. Pour assurer une bonne circulation d'air, nous vous recommandons d'utiliser des tuyaux de 110 mm et d'un diamètre interne minimum de 102 mm (4 pouces) dans le système; il est absolument essentiel d'utiliser des tuyaux dont le diamètre interne mesure au minimum 95 mm (3,75 pouces) lors de l'installation des toilettes à combustion Cinderella Comfort pour garantir une circulation d'air suffisante et un bon fonctionnement du système.

Coude (évacuation d'air)	Les toilettes Cinderella Comfort NA doivent être installées avec un coude à grande ouverture pour minimiser la restriction de la circulation de l'air. Nous recommandons vivement l'utilisation d'un coude Cinderella de 87° avec purge.
Chapeau de cheminée	L'installation des toilettes Cinderella Comfort NA doit comprendre un chapeau de cheminée qui empêche la pénétration de l'eau de pluie et restreint au minimum la circulation de l'air. N'utilisez pas de turbine à vent ou ventilateur similaire pour aérer les toilettes à incinération Cinderella. Nous recommandons vivement l'utilisation d'un chapeau de cheminée original Cinderella.



AVERTISSEMENT !

Les toilettes Cinderella Comfort doivent être équipées de leur propre tuyau d'évacuation d'air et il est interdit d'utiliser les éléments suivants dans le système de ventilation de Cinderella Comfort :

- Ventilateur de cheminée à la place du chapeau de cheminée
- Tuyaux ou conduits flexibles.
- Tuyaux d'un diamètre interne inférieur à 95 mm (3¾ pouces).
- N'utilisez jamais de filets à mailles fines dans le tuyau de ventilation pour ne pas restreindre la circulation de l'air dans le système.



NOTE!

- Les réglementations techniques et administratives du pays où les toilettes sont installées doivent être respectées. Nous vous recommandons de contacter votre distributeur pour organiser l'installation de vos toilettes Cinderella Comfort.
- La paroi intérieure du tuyau de ventilation doit être lisse et non bosselée ou rainurée.
- Le coude doit être accessible après installation, pour que vous puissiez rincer le tuyau de drainage et nettoyer le tuyau d'évacuation.
- Le modèle Cinderella Comfort est approuvée pour une utilisation dans les salles de bains/d'eau (de classe IP 34), mais il ne doit y avoir aucune éclaboussure d'eau sur les parties externes des toilettes.
- Les toilettes doivent être placées sur une surface plane et ferme. Vos toilettes Cinderella peuvent être installées sur un plancher chauffant.

2.5 INSTALLATION DE TOILETTES À INCINÉRATION CINDERELLA

Il est essentiel d'assurer une bonne ventilation conformément aux directives de ce manuel afin de garantir le fonctionnement de vos nouvelles toilettes Cinderella. Une installation incorrecte peut entraîner un dysfonctionnement, une usure ou des odeurs et annulera la garantie. Lisez soigneusement chaque section avant de procéder à l'installation des toilettes. Veillez toujours à ce que les travaux soient effectués par des professionnels, conformément aux réglementations locales.



AVERTISSEMENT !

- Lors de l'installation, les réglementations techniques et administratives du pays dans lequel les toilettes sont installées doivent être respectées. Nous vous recommandons de contacter votre concessionnaire local pour la préparation et l'installation de vos toilettes Cinderella.
- N'utilisez jamais de tuyau courbé en plus du coude.
- Si le tuyau traverse la surface du toit, assurez-vous que cela est conforme aux réglementations en matière de construction.
- N'utilisez pas de conduits ni de tuyaux flexibles pour l'installation des toilettes Cinderella.
- Ne raccordez jamais plusieurs appareils à la bouche d'aération.
- Le coude doit être accessible après installation, pour que vous puissiez rincer le tuyau de purge et nettoyer le tuyau d'évacuation.

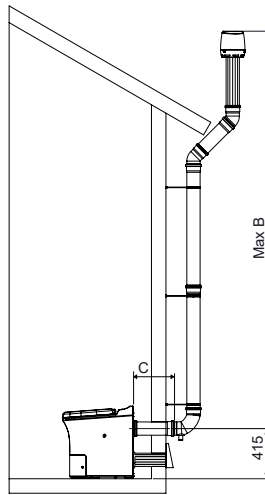
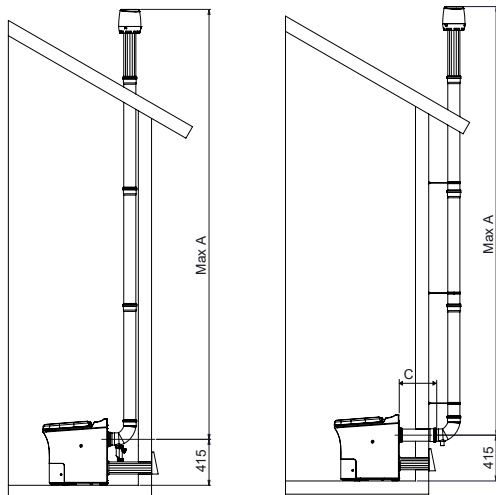


ATTENTION !

Avant de percer les trous, assurez-vous de ne pas rencontrer de fils électriques ou conduites d'eau.

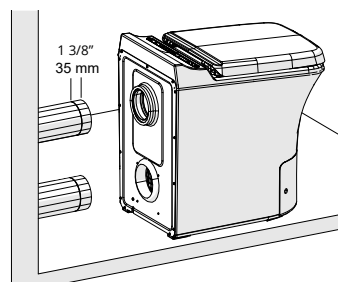
2.5.1 INSTALLATION DES TUYAUX D'ÉVACUATION

DIAMÈTRE DU TUYAU DE VENTILATION		DIRECTION DE L'ÉVACUATION	RÉFÉRENCE	COUDES	LONGUEUR MAXIMALE DE TUYAU	
IMPÉRIAL	MÉTRIQUE				IMPÉRIAL	MÉTRIQUE
4 21/64"	110mm	Tuyau horizontal de cheminée	C	(Interdit)	39 3/8"	1.0m
4 21/64"	110mm	Tuyau de cheminée vertical	A	Aucun	238 7/32"	6.0m
4 21/64»	110mm	Tuyau de cheminée vertical	B	2 x 45° coudes	196 27/32"	5.0m



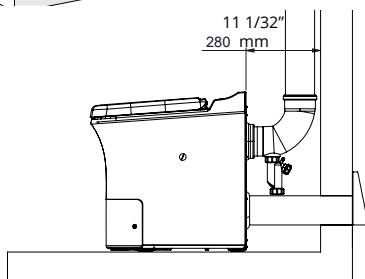
REMARQUE !

Le centre du raccord du tuyau de la cheminée est situé à 415 mm du niveau du sol.



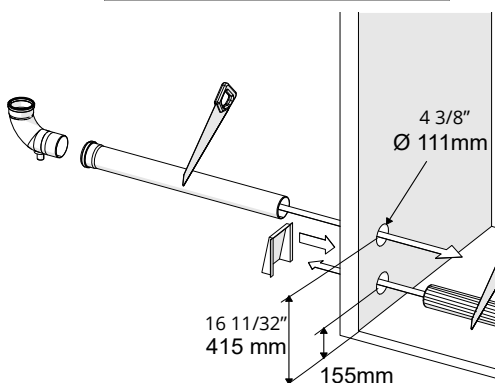
REMARQUE !

Lors de l'ajustement de la longueur du tuyau, veuillez noter que le tuyau pénétrera de 1 3/8" (35 mm) dans le raccord des toilettes ; veuillez en tenir compte lors de la préparation de votre installation.



REMARQUE !

Si vous installez le tuyau verticalement depuis l'appareil, veuillez noter que la distance minimale par rapport au mur doit être de 11 1/32" (280 mm).



REMARQUE !

Le kit d'installation original Cinderella comprend 5 tuyaux de 1066 mm à utiliser sur la bouche de sortie ; les tuyaux sont livrés avec un connecteur et un joint pour une installation simple. Lors de l'installation du tuyau sur le mur extérieur, vous devez introduire le tuyau de l'extérieur vers l'intérieur. Coupez le tuyau à la longueur désirée, utilisez la section avec la douille et le joint entre le coude et les toilettes, la section sans douille doit être utilisée sur le dessus des tuyaux du conduit pour la connexion au chapeau du conduit.



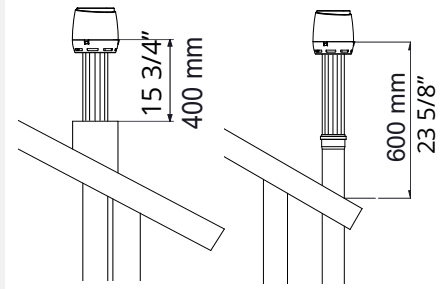
REMARQUE !

Les systèmes Venturi sont conçus pour le branchement de tuyaux de qualité PP de 110 mm et d'un diamètre interne de 102 mm (4 pouces) minimum. Le tuyau doit pénétrer dans le Venturi des toilettes de 35 mm (1 3/8 pouces). Ne forcez pas pour brancher le tuyau afin d'éviter l'endommagement du système. Le tuyau d'aération doit être fixé à l'appareil à l'aide d'une bride placée autour du joint et du tuyau. Vérifiez que le tuyau est fermement raccordé aux toilettes avant de serrer la bride.



REMARQUE !

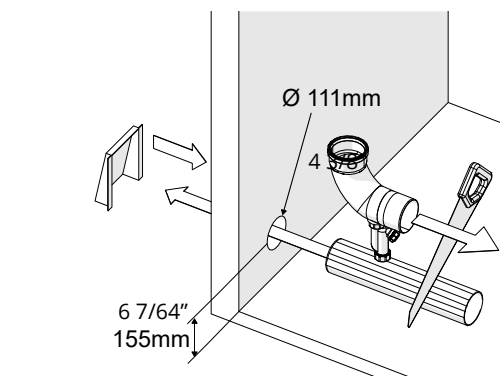
- Le tuyau doit être installé à la verticale et dépasser de 23 5/8" (600 mm) la surface du toit. Si le tuyau d'évacuation d'air doit être entouré, par exemple d'un revêtement métallique, veuillez vérifier que l'extrémité du tuyau atteint une hauteur minimum de 15 3/4" (400 mm) au-dessus de l'enveloppe.
- En cas d'installation dans un endroit où la neige risque de s'accumuler, il peut s'avérer nécessaire de prolonger le tuyau et de le fixer en conséquence. Veuillez bien à ne pas étendre le tuyau au-delà de la longueur maximale autorisée



2.5.2 INSTALLATION DU TUYAU D'ADMISSION HORIZONTAL

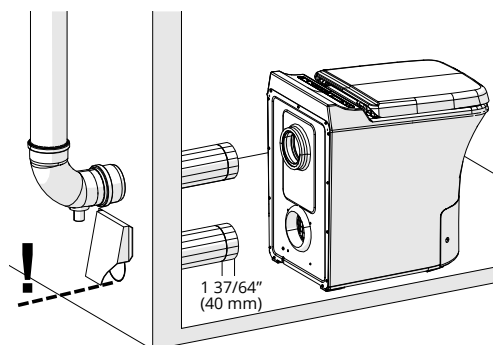
Il est important de s'assurer que les toilettes disposent d'un accès suffisant à l'air frais, c'est pourquoi nous recommandons toujours d'installer les toilettes Cinderella Comfort avec une admission d'air distincte. L'apport d'air frais de l'extérieur vers l'intérieur des toilettes est essentiel pour assurer le refroidissement, la circulation et l'apport d'oxygène au processus d'incinération. Si les toilettes ne bénéficient pas de suffisamment d'air ou d'oxygène, l'incinération ne se fera pas correctement, l'efficacité sera réduite et les toilettes risquent de surchauffer. Une mauvaise incinération entraînera l'usure des toilettes au fil du temps et annulera votre garantie.

DIAMÈTRE EXTERNE TUYAU D'ADMISSION		DIAMÈTRE INTERNE TUYAU D'ADMISSION		DIRECTION D'ADMISSION	COUDES	LONGUEUR DE TUYAU MAXIMALE	
4 21/64"	110mm	4 1/64"	102mm	Horizontal	Aucun	19 11/16"	500mm



REMARQUE !

- Le centre de la prise d'admission d'air se situe à 155 mm au-dessus du sol.
- Le kit d'installation original Cinderella comprend 2 tuyaux de 500 mm à utiliser pour l'admission d'air et le chapeau de cheminée. Ajustez la longueur du tuyau d'admission pour l'adapter à votre installation ; veuillez noter que le tuyau pénétrera de 40 mm dans la prise d'admission des toilettes.



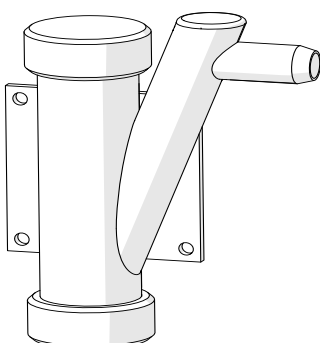
REMARQUE !

Lors du montage du collier de solin sur le mur extérieur, veillez à ce que le tuyau soit installé au ras du bas du collier de solin. Un mauvais placement peut restreindre la circulation d'air avec pour conséquence une mauvaise incinération, une efficacité réduite et une surchauffe éventuelle des toilettes.



REMARQUE !

Cinderella fournit un « siphon » spécialement adapté au coude fourni dans le kit d'installation ; cet accessoire peut être acheté auprès de n'importe quel concessionnaire Cinderella. Si l'installation se fait de l'intérieur, vous devrez raccorder le siphon à la pièce coudée pour éviter que la condensation et l'eau de pluie ne s'écoulent sur le sol. Si la condensation n'est pas collectée et vidée régulièrement, le sol risque d'être endommagé.

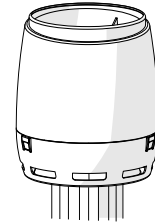
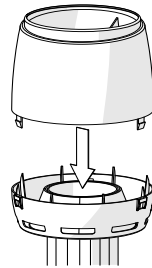
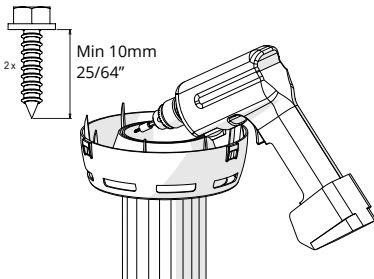


2.5.3 INSTALLATION DU CHAPEAU DE CHEMINÉE ORIGINAL CINDERELLA



REMARQUE !

Le kit d'installation original Cinderella comprend un chapeau de cheminée conçu pour une circulation optimale et une plus grande efficacité des toilettes. Ce chapeau se compose de deux parties : la section de base peut être fixée aux tuyaux avec des vis inoxydables ou de la colle, afin de faciliter le raccordement et le retrait pour l'entretien des tuyaux de ventilation. Utilisez la partie sans douille du tuyau coupé lors de l'installation du tuyau du conduit horizontal dans le kit d'installation Cinderella comme dernière section du tuyau de ventilation, elle sera utilisée pour effectuer le raccord au chapeau terminal du conduit.



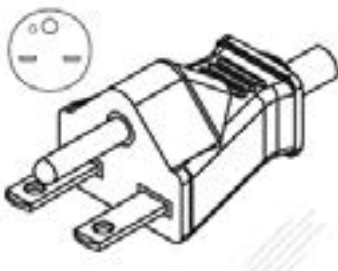
2.6 CARACTÉRISTIQUES ET SPÉCIFICATIONS ÉLECTRIQUES



ATTENTION !

- Ces toilettes doivent être installées conformément aux normes électriques nationales, provinciales, municipales et locales.
- La tension, la fréquence et l'intensité correctes doivent être fournies aux toilettes à l'aide d'un circuit séparé, mis à la terre et protégé par un disjoncteur de la puissance appropriée.
- La tension, la fréquence et l'intensité appropriées sont indiquées dans ce manuel et sur la plaque signalétique, située à l'arrière des toilettes.

Alimentation	COURANT	D'ENTRÉE	FUSIBLE
	220V-240 V CA	10 A	10 A
Consommation électrique	VEILLE		INCINÉRATION
	0,5 W		2000 W
Polarité de branchement	SECTION DU CÂBLE		TYPE DE PRISE
	14 AWG		NEMA 6-15P



REMARQUE !

Les toilettes sont livrées avec une prise 15 Ampères, 250 Volts, 2 pôles 3 fils, avec mise à la terre, de type NEMA 6-15P. Afin de fournir une puissance électrique suffisante, il est nécessaire d'installer un circuit séparé mis à la terre, d'une capacité de 10 A sur un secteur 230 V CA.



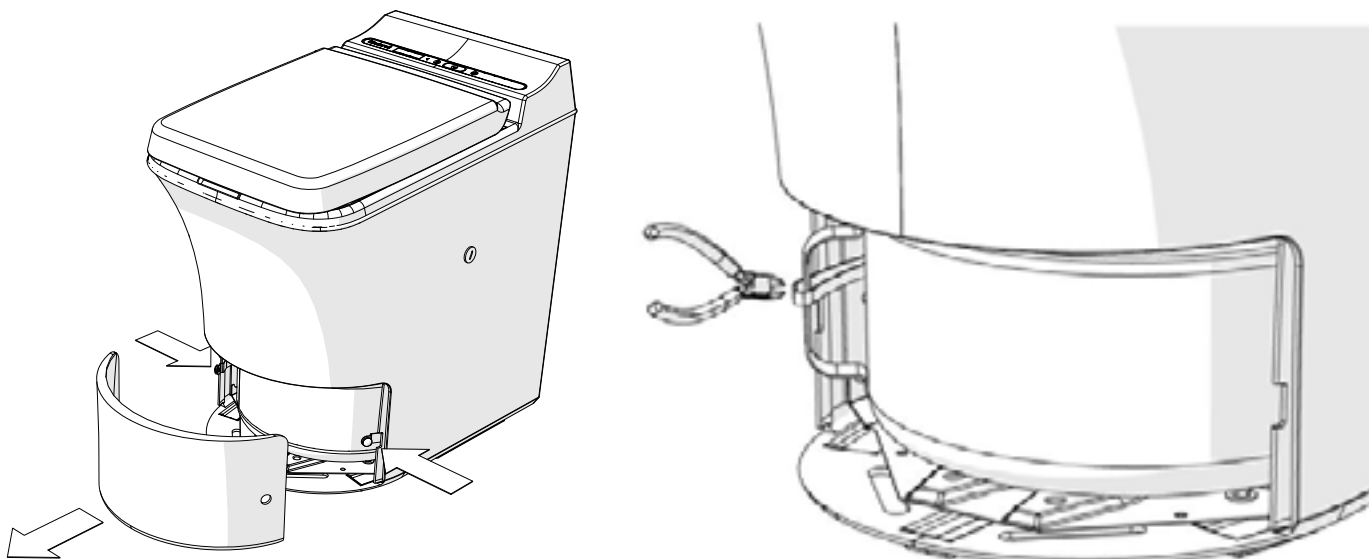
DANGER !

- Le câble de branchement doit être posé de manière à ne pas entrer en contact avec des bords coupants.
- Toute modification de l'installation électrique interne ou du câble de branchement doit être effectuée par un professionnel ou une personne agréée pour éviter tout danger pour la sécurité.
- L'utilisation de transformateurs de tension avec vos toilettes Cinderella est déconseillée. La Cinderella Comfort a une consommation électrique maximum de 2000 W, pouvant être continue pendant plus d'une heure d'affilée. Un transformateur acceptant des pics de puissance de 2000 W risque de ne pas tolérer une telle puissance en continu et d'être surchargé, endommagé ou peu sûr si vous l'utilisez avec votre Cinderella Comfort.

2.7 SANGLE DE SÉCURITÉ POUR LE TRANSPORT

La boîte à cendres est équipée d'une sangle de sécurité qui doit être retirée avant utilisation :

1. Retirez le couvercle avant.
2. Coupez et retirez les sangles en plastique qui rattachent la boîte à cendres à la structure en acier.



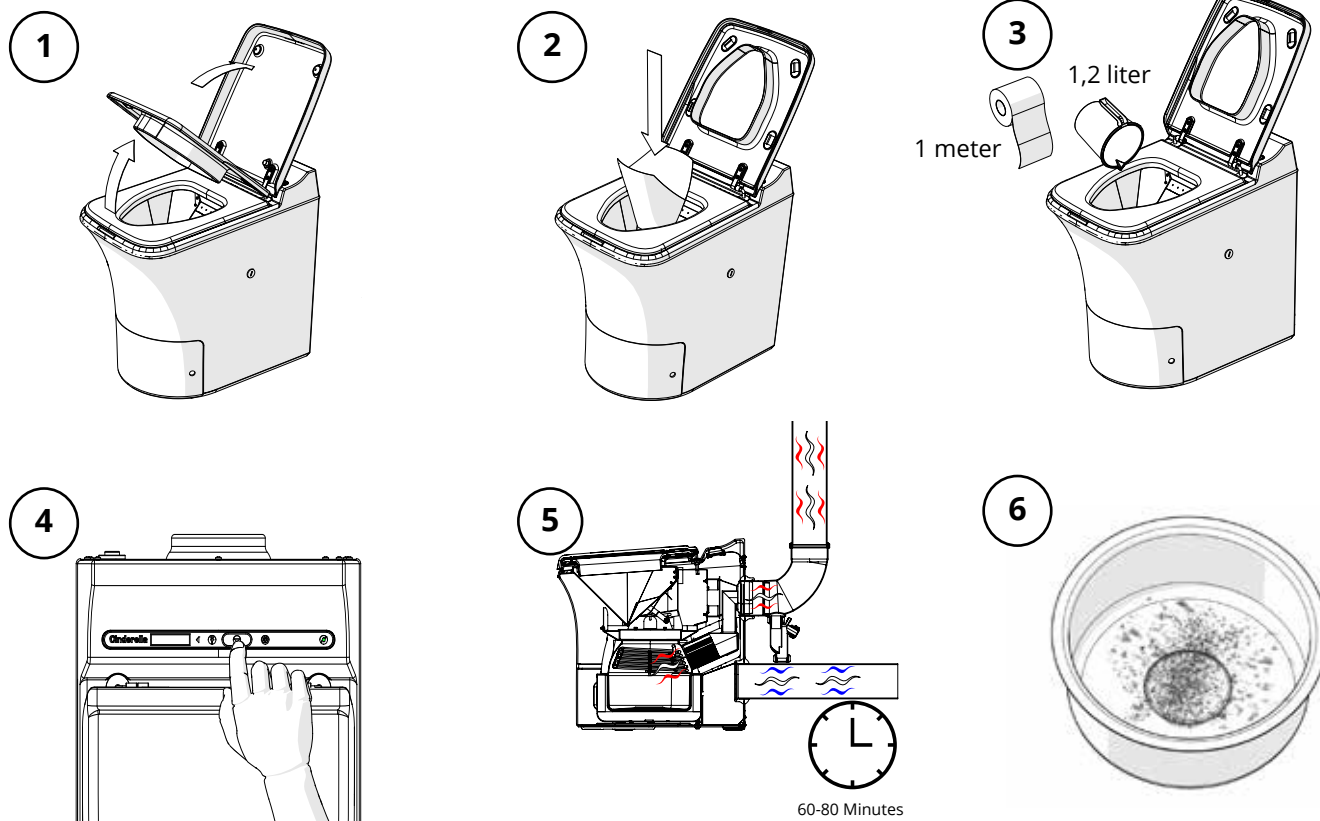
2.8 LISTE DE CONTRÔLE DE L'INSTALLATION COMPLÈTE

POINTS DE CONTRÔLE	CONFORMITÉ
La tension est conforme à la plaque signalétique des toilettes	
La longueur du tuyau du conduit est conforme à la fiche technique du fabricant	
La sortie de cheminée est au minimum à 600 mm au-dessus de la surface du toit	
Un «siphon» de purge sûr est installé là où la condensation est susceptible de s'accumuler	
Le tuyau de cheminée est installé conformément à la fiche technique du fabricant	
Le chapeau du tuyau de cheminée est installé conformément à la fiche technique du fabricant	
La sangle de sécurité de transport a été retirée	

2.9 TEST DE PERFORMANCE POUR VÉRIFIER LE FONCTIONNEMENT DU SYSTÈME

En appuyant sur la touche « Start », l'incinération commence. Le temps d'incinération estimé pour le test est de 60 à 80 minutes environ. Le voyant jaune s'allume lorsque l'incinération est en cours, et le test complet doit se terminer sans aucune indication de défaut ni d'interruption du système. Les toilettes doivent refroidir jusqu'à ce que le ventilateur s'arrête, avant de pouvoir retirer la boîte à cendres. La phase de refroidissement dure entre 60 et 90 minutes en fonction de la température ambiante.

Il ne devrait rester que de la fine poussière blanche. Si les résidus sont différents ou que l'incinération dure plus de 90 minutes, cela peut être un signe de colmatage dans le tuyau de cheminée ou un manque d'oxygène. Vérifier que l'installation est conforme à la fiche technique du fabricant, telle que présentée à la section 2 de ce manuel.



ATTENTION !

La boîte à cendres sera très chaude durant l'incinération. Ne retirez pas la boîte à cendres avant que les toilettes n'aient entièrement refroidi et que le ventilateur se soit arrêté.



REMARQUE !

Le test de performance doit être effectué lorsque les toilettes n'ont pas encore été utilisées. Les résultats peuvent varier lorsque ce test est effectué sur des toilettes qui ont déjà été utilisées.

3. SECTION DE L'UTILISATEUR

3.1 UTILISATION PRÉVUE ET MANIPULATION

Les toilettes Cinderella Comfort sont destinées à une installation intérieure et dans les habitations de loisirs telles que les chalets, les résidences secondaires, les toilettes extérieures, les centres de bien-être, les hangars à bateaux et les piscines. Les toilettes servent exclusivement à incinérer les déchets biologiques et petits produits sanitaires, tels que les papier toilette, serviettes hygiéniques et lingettes démaquillantes ou pour bébé sans

alcool. L'utilisation des toilettes Cinderella Comfort pour incinérer autre chose constituerait une mauvaise utilisation et invaliderait votre garantie. **Ne mettez pas les articles suivants dans les toilettes :**

- Quantités excessives de papier de tous genres
- Produits de nettoyage à base de chlore
- Lingettes à base d'alcool
- Journaux
- Serviettes en papier
- Liquides ou matériaux inflammables
- Briquets
- Cigarettes ou cigares
- Essence
- Boissons alcoolisées
- Alcool ou alcool à brûler
- Dissolvant pour vernis à ongles
- Essence à briquet
- Huile de lampe/kérosène
- Bombes aérosol
- Bouteilles ou boîtes en verre ou plastique, etc.

3.2 SÉCURITÉ GÉNÉRALE



DANGER !

- N'utilisez pas les toilettes à incinération en cas de dommages visibles.
- Si le câble d'alimentation est endommagé, il doit être remplacé par le fabricant, le service après-vente ou toute autre personne qualifiée pour éviter tout risque pour la sécurité.
- Les toilettes à incinération doivent toujours être réparées par un professionnel agréé. Toute réparation non autorisée peut entraîner un danger ou des dommages importants aux toilettes.
- Le nettoyage et l'entretien courant ne doivent pas être effectués par des enfants sans supervision.
- N'utilisez pas de substances explosives ni de produits de nettoyage inflammables lors de l'entretien des toilettes.



AVERTISSEMENT !

- Les jeunes enfants doivent être surveillés lorsqu'ils utilisent les toilettes sèches à combustion Cinderella.

3.3 FONCTIONNEMENT EN TOUTE SÉCURITÉ



ATTENTION !

- La boîte à cendres des toilettes deviendra très chaude pendant l'utilisation. Vérifiez que le couvercle de sécurité est en place lors de l'utilisation des toilettes. Attendez que les toilettes soient complètement refroidies avant de vider la boîte à cendres.
- Le siège n'est pas équipé d'une fonction de fermeture amortie, prenez donc soin de ne pas laisser tomber le siège ou l'abattant sur vos mains ou vos doigts.

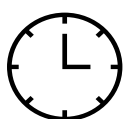
3.4 DISPOSITIFS DE SÉCURITÉ DES TOILETTES CINDERELLA COMFORT

- L'incinération ne s'effectuera pas si l'abattant est relevé. L'incinération ne démarrera pas avant que le siège et l'abattant soient baissés.
- Le panneau de la chambre d'incinération NE DOIT PAS rester ouvert lorsque les toilettes sont encore chaudes (par ex. durant le nettoyage). Ce panneau ne peut être ouvert que si les toilettes ont refroidi et si le ventilateur s'est arrêté.
- En cas de problème de ventilation et si la température interne des toilettes dépasse 105 °C, l'incinération s'arrêtera et un message et un code d'erreur s'afficheront. Cette situation requiert une réinitialisation manuelle afin de résoudre les problèmes de ventilation avant l'utilisation des toilettes.
- Si la boîte à cendres n'est pas remise en place correctement après avoir été vidée, l'incinération ne démarre pas, et un message d'erreur s'affiche.
- Si le mécanisme du panneau de la chambre d'incinération se coince ou ne peut se fermer correctement, l'incinération ne débute pas et un message d'erreur s'affiche.
- Le logiciel intelligent des toilettes à incinération Cinderella surveille la température au cours de l'incinération. Si un écart de la fourchette de température normale est détecté, l'incinération s'arrêtera immédiatement et un message d'erreur s'affichera.



REMARQUE !

- Veillez à toujours placer un nouveau sac papier dans la cuvette avant chaque utilisation.
- L'abattant des toilettes doit toujours être baissé lorsque les toilettes ne sont pas utilisées. L'incinération ne démarrera pas ou s'arrêtera si l'abattant n'est pas baissé.
- L'incinération peut durer jusqu'à trois heures après la toute dernière visite.
- Le ventilateur continue de fonctionner jusqu'à la fin de l'incinération et jusqu'à ce que la température interne des toilettes atteigne de nouveau la plage normale. La phase de refroidissement peut durer plus de 120 minutes après l'incinération, en fonction de la température de l'air fourni pour le refroidissement.
- Vos toilettes Cinderella peuvent être utilisées à tout moment durant l'incinération ou le refroidissement. L'incinération est interrompue durant l'utilisation. Veillez à baisser l'abattant et appuyez sur « Start » à la fin de chaque utilisation.



Capacité 4 par heure

Les toilettes Cinderella Comfort sont conçues pour trois utilisations par heure. Pour éviter toute surcharge, il est déconseillé de les utiliser plus de trois fois par heure. La surcharge des toilettes, c'est-à-dire de nombreuses utilisations sur une courte période sans effectuer d'incinération, est susceptible d'entraîner des odeurs et des fuites et, par conséquent, de les endommager.



Vidage

Fréquence de vidage

La capacité liquide totale du conteneur de déchets du système est de 5 L. La boîte à cendres doit être vidée fréquemment (une fois par semaine) pour un fonctionnement optimal. Cela garantit une incinération plus efficace et une plus grande propreté du catalyseur.

Si votre boîte à cendres n'a pas été retirée (pour des vidanges hebdomadaires), vos toilettes Cinderella Comfort afficheront un message demandant de vider la boîte après 90 incinérations, et empêcheront toute utilisation ultérieure si la boîte n'est pas vidée après 120 utilisations. Nous recommandons de la vider aussi souvent que possible pour assurer une incinération plus efficace et empêcher l'usure des toilettes.

Il est impératif de vider la boîte à cendres lorsqu'elle est pleine, sinon les toilettes pourraient être endommagées et la garantie ne serait plus valide.



Période prolongée

Préparation des toilettes pour une période prolongée de non-utilisation

Pendant les longues périodes de non-utilisation ou en cas de risque de coup de foudre, les toilettes doivent être débranchées du secteur pour les protéger de tout dommage externe. **REMARQUE!** Avant de débrancher du secteur, vérifiez que les déchets sont incinérés et que le voyant jaune est éteint. Des déchets non incinérés restant dans les toilettes pourraient entraîner des dommages à l'avenir. Les toilettes doivent être rangées sèches. Pour réduire les influences externes des variations d'humidité et de température, il est recommandé de débrancher les toilettes des tuyaux lors de longues absences. Rappelez-vous de toujours réinstaller les toilettes avant leur utilisation.



Courte période d'utilisation intensive

Si les toilettes doivent être utilisées par un nombre anormalement élevé d'invités pendant une courte période, veuillez suivre ces conseils :

1. Videz complètement la boîte à cendres avant l'arrivée des invités.
2. Préchauffez les toilettes avant l'utilisation en levant et en baissant l'abattant, et appuyez sur la touche Start.
3. Veillez à ce que les invités sachent comment utiliser correctement les sacs en papier et comprennent qu'ils doivent appuyer sur « Start » après chaque utilisation.
4. Vérifiez régulièrement que l'abattant est abaissé et que le voyant jaune d'incinération reste allumé.
5. Il vous faudra peut-être effectuer une incinération ou deux supplémentaires avant de vider la boîte à cendres pour vous assurer que l'incinération est terminée.

3.6 PANNEAU DE COMMANDE

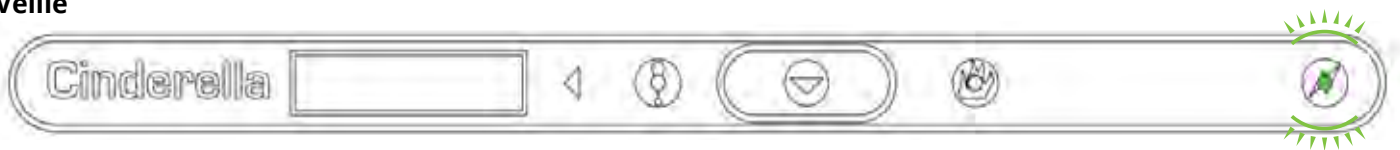
Le panneau de commande affiche des messages lumineux, sonores et écrits pour la meilleure expérience d'utilisateur possible. Différentes combinaisons de signaux lumineux et sonores indiquent à l'utilisateur l'état du système. Il est important que tous les utilisateurs se familiarisent avec ces signaux avant toute utilisation. Vous trouverez un résumé de tous les signaux lumineux et sonores dans le tableau de dépannage de la section 5.1.



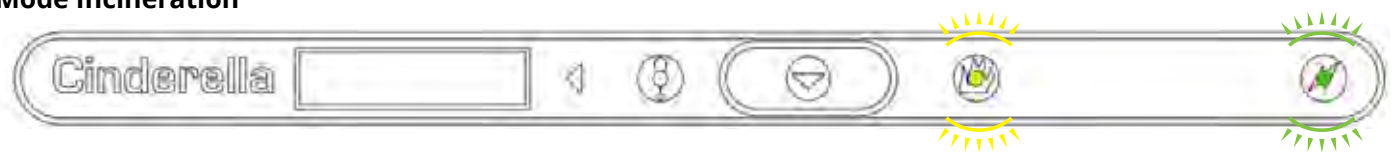
REMARQUE !

- Un voyant vert indique que les toilettes sont branchées au secteur. Lorsque seul le voyant vert est allumé, les toilettes sont en mode veille et prêtes à l'emploi.
- Un voyant jaune indique que l'incinération est en cours ; il restera allumé pendant que les toilettes sont en mode Incinération
- Un voyant rouge indique une interruption et avertit l'utilisateur que l'incinération s'est arrêtée et que les toilettes sont en mode Veille.

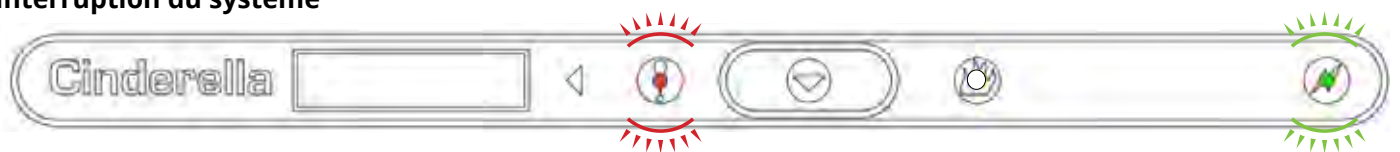
Veille



Mode Incinération



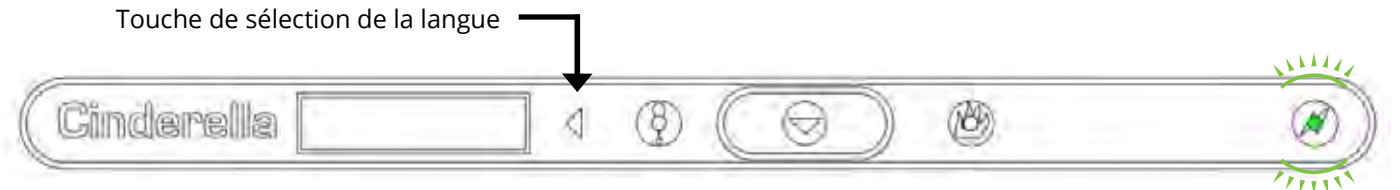
Interruption du système



Sélection de la langue

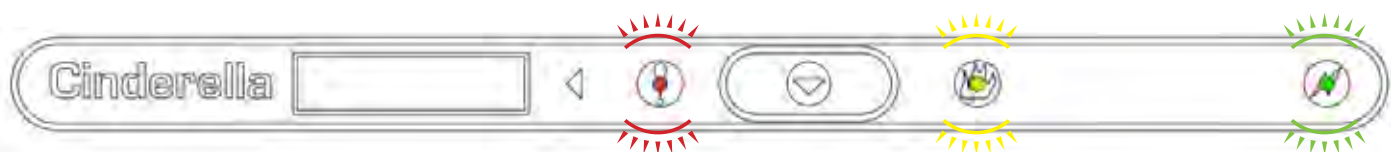
Maintenez enfoncée la touche « Language Select » (Sélectionner Langue) pendant 3 secondes jusqu'à ce que « Language » (Langue) s'affiche sur la première ligne de texte. La langue actuelle s'affiche sur la seconde ligne. Appuyez plusieurs fois sur la touche « Language Select » jusqu'à l'affichage de la langue souhaitée. La nouvelle langue est automatiquement sauvegardée quelques secondes après la sélection de la langue, et les toilettes se remettent en service.

Touche de sélection de la langue



Voyant Emptying/Vidage

Vos toilettes Cinderella Comfort indiqueront lorsqu'il est temps de vider la boîte à cendres. L'affichage indiquera « VIDEZ TIR. CENDRE » et vous entendrez trois courts bips lorsque l'abattant sera relevé. Si les toilettes ne sont pas vidées peu de temps après, elles se verrouillent. Les voyants jaune et rouge seront allumés en permanence et l'écran affichera le message « TOILET LOCKED CONTAINER FULL » (« TOILETTES VERROUILLÉES, BOÎTE PLEINE »). Trois courts bips sont alors émis toutes les 10 secondes jusqu'à ce que la boîte à cendres soit vidée.



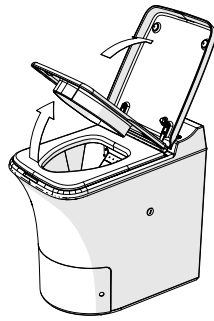
3.7 UTILISATION DES TOILETTES CINDERELLA COMFORT

1



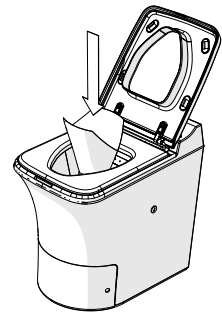
1. Vérifiez que le voyant vert du panneau de commande est allumé, ce qui indique que les toilettes sont sous tension et prêtes à l'emploi.

2



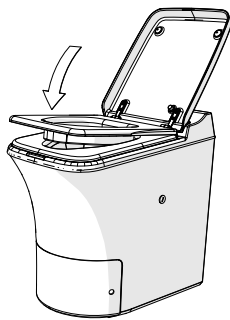
2. Levez l'abattant et le siège. Un voyant rouge commence à clignoter. Le ventilateur se met en marche.

3



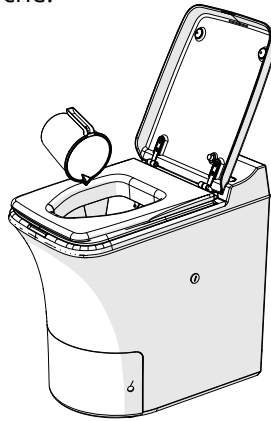
3. Placez un sac papier dans la cuvette. Utilisez un nouveau sac papier à chaque utilisation.

4



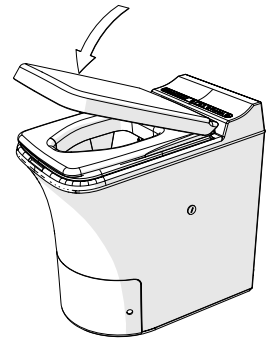
4. Baissez le siège. Les toilettes sont prêtes à l'emploi.

5



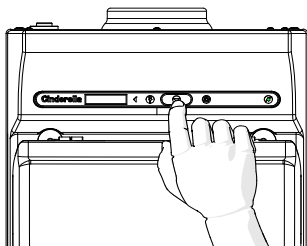
5. Utilisez les toilettes comme d'habitude. S'il y a peu de déchets, il peut s'avérer utile de verser un peu d'eau dans la cuvette pour ajouter du poids.

6



6. Baissez l'abattant.

7



7. Appuyez sur la touche « Start » pour faire tomber le sac et son contenu dans la chambre d'incinération. L'incinération commence dès que la trappe est fermée. Les toilettes sont maintenant prêtes pour la prochaine utilisation.

8



8. Un voyant jaune continu s'affiche pendant l'incinération. Les toilettes peuvent être utilisées à tout moment. L'incinération est alors provisoirement interrompue. Le temps d'incinération varie en fonction du nombre d'utilisations et de la quantité de déchets.

3.8 UTILISATION DU PANNEAU AVANT ET DE LA BOÎTE À CENDRES



ATTENTION !

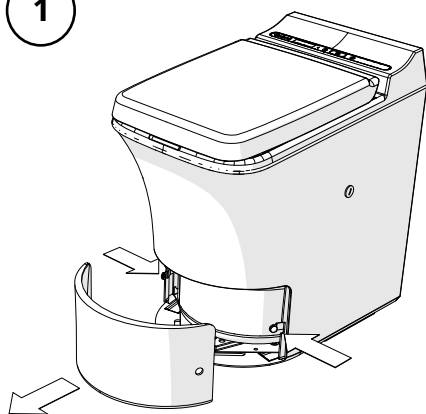
Manipulez la boîte à cendres uniquement lorsque les toilettes sont en mode veille ou ont suffisamment refroidi.



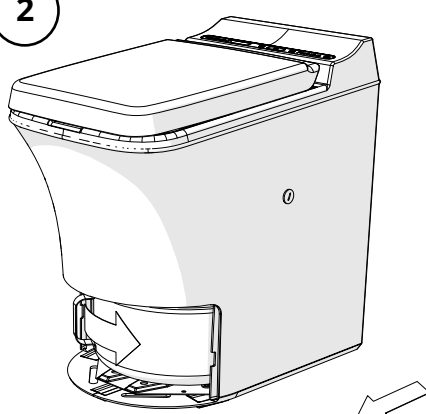
REMARQUE !

Veillez vous reporter à la section sur l'entretien pour consulter les instructions concernant le nettoyage et le vidage de la boîte à cendres.

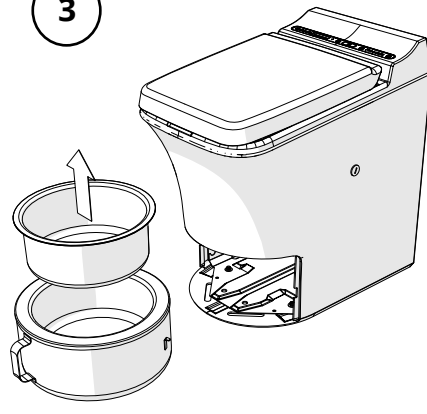
1



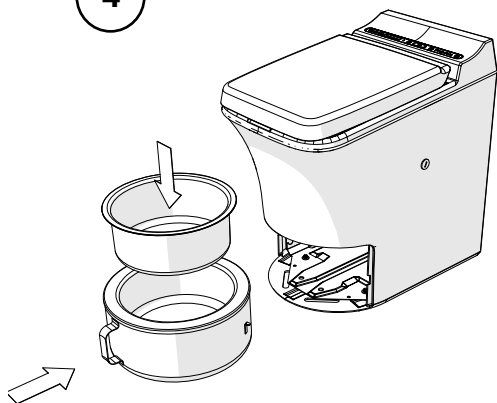
2



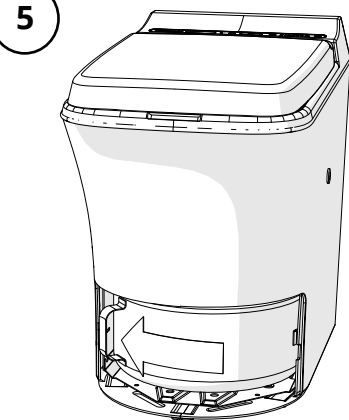
3



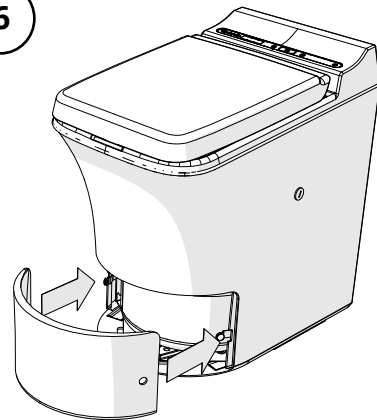
4



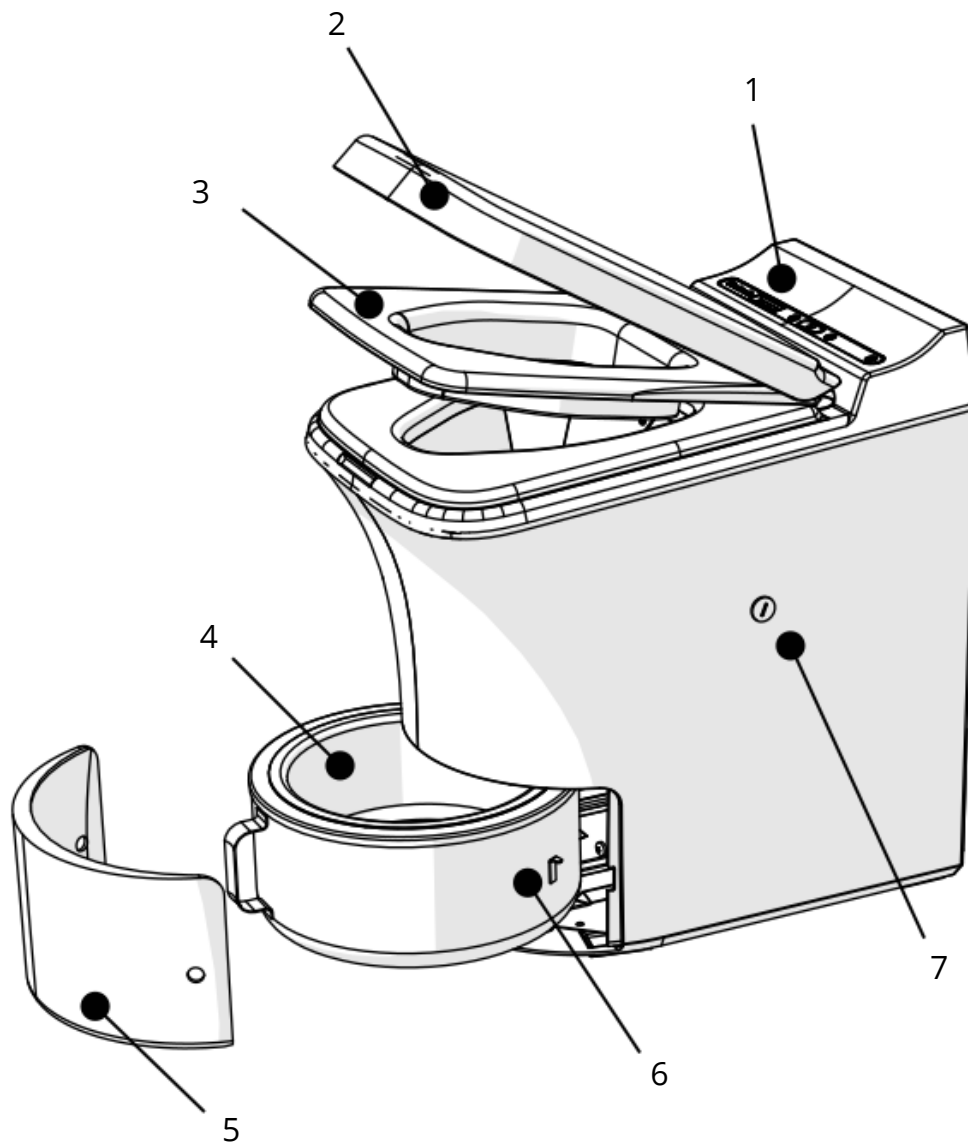
5



6



3.9 APERÇU DES TOILETTES



ID	DESCRIPTION DES PIECES
1	Panneau de commnde avec affichage
2	Abattant
3	Siège
4	Boîte à cendres avec boîtier interne
5	Panneau avant
6	Goupille de butée
7	Dispositif de sécurité température

4. INSTRUCTIONS GÉNÉRALES CONCERNANT L'ENTRETIEN

Ce manuel comprend à la fois l'entretien à effectuer par le client et l'entretien à effectuer par des professionnels en fonction de l'expertise requise et des autorisations.

Un système de circulation d'air fiable est essentiel pour assurer le bon fonctionnement des toilettes. Les particules générées par l'incinération peuvent boucher le catalyseur et le tuyau d'échappement avec le temps. Il est donc important d'entretenir régulièrement ces éléments pour garantir le bon fonctionnement des toilettes.

Pour garantir le fonctionnement parfait et prolonger la durée de vie de votre Cinderella Comfort, veuillez prendre le temps d'effectuer l'entretien préventif. De bonnes habitudes d'entretien diminueront les frais de fonctionnement et l'usure. Nous recommandons vivement à nos clients d'effectuer un entretien fréquent comme suit :

1. Videz fréquemment les toilettes. Ne basez pas votre utilisation sur la limite maximale de vos toilettes.
2. Nettoyez toujours la boîte à cendres et remettez-la en place après vidage (cf. la section 4.2.1).
3. Effectuez toujours le nettoyage à la vapeur après utilisation de chaque boîte de sacs papier (500 utilisations), de préférence après chaque vidage et lavage de la boîte à cendres. (cf la section 4.2.2).
4. Prenez toujours soin de noter les caractéristiques des résidus lorsque vous videz les toilettes. Tout écart par rapport aux résidus normaux peut indiquer une nécessité d'entretien ou de maintenance (cf. la section 4.1).

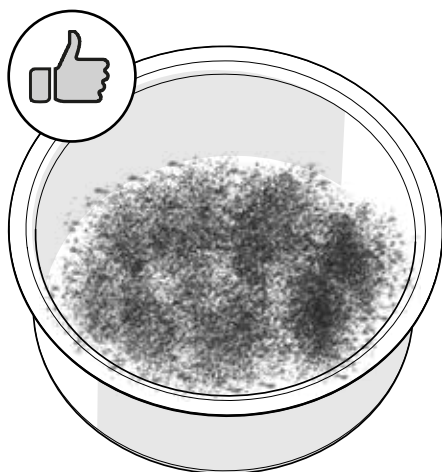


ATTENTION !

Avant l'entretien, veuillez toujours vérifier que les toilettes ne sont pas en mode Incinération et qu'elles ont suffisamment refroidi.

4.1 CARACTÉRISTIQUES DES RÉSIDUS

Les déchets, ou « cendres », sont constitués de résidus insalubres, de sels et de minéraux, et se présentent souvent sous forme de particules dures et cristallisées. Ils ne doivent comprendre aucune trace visible de papier ou de déchets non brûlés de grande taille. Ils doivent être composés d'un mélange de particules blanches et gris foncé. En cas de dépôts plus importants de déchets noirs non brûlés, d'humidité ou de papier lors de la vidange des toilettes, veuillez procéder à une incinération supplémentaire sans insérer de papier ni d'eau. Lorsque l'incinération est terminée, videz la boîte à cendres et effectuez l'entretien comme indiqué dans ce manuel.

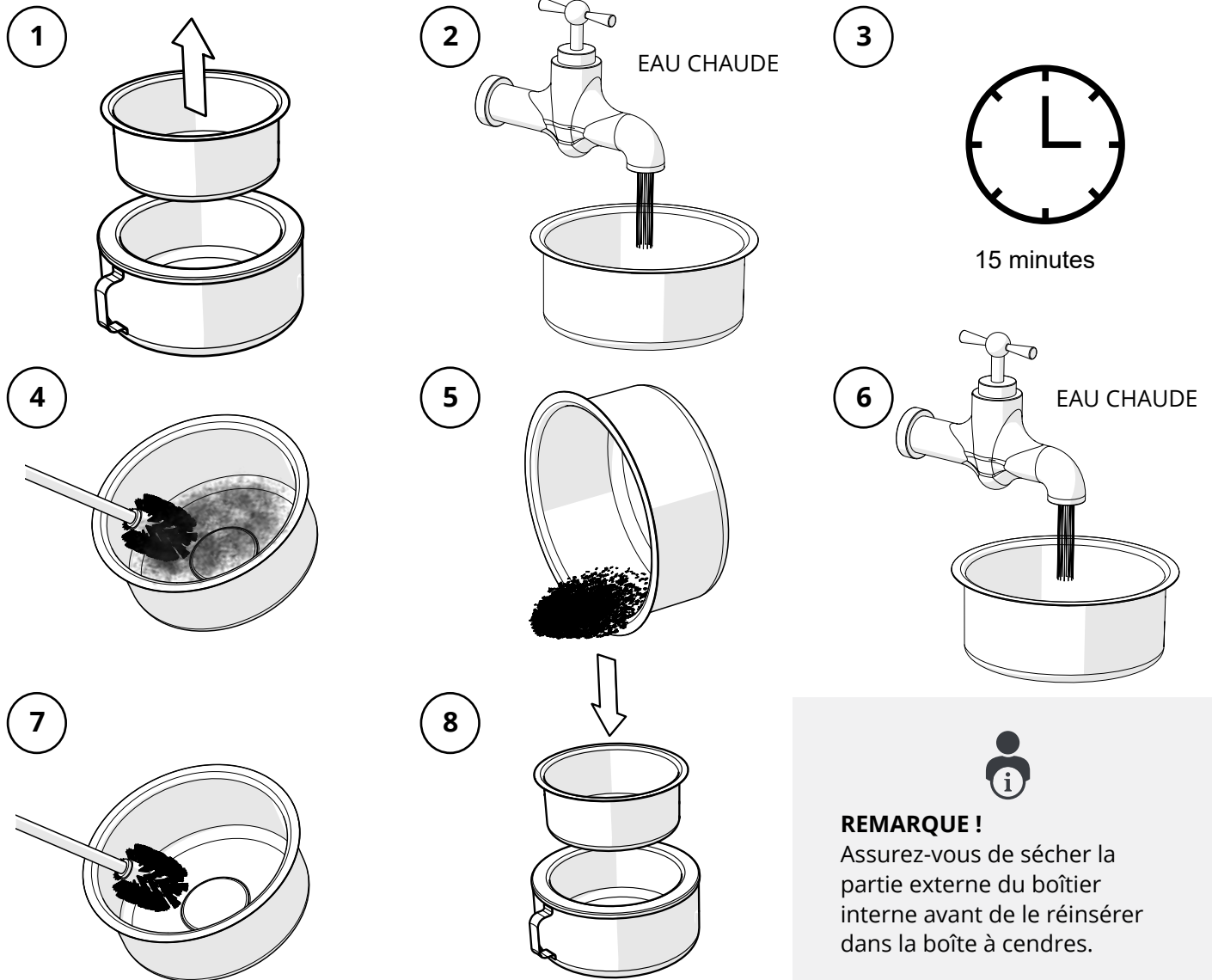


AVERTISSEMENT !

- Les cendres ne doivent pas être utilisées comme engrais ou compost. Veuillez les jeter avec vos ordures ménagères conformément aux directives publiques pertinentes.
- Le reste des cendres est exempt de germes et peut être manipulé en toute sécurité lorsqu'elles sont de couleur claire. Si les cendres sont noires et de grosse taille, ou si la combustion est incomplète, effectuez une nouvelle incinération pour que les cendres soient entièrement incinérées. Si le problème persiste, reportez-vous à la section de dépannage pour de plus amples conseils.

4.2 ENTRETIEN EFFECTUÉ PAR LE CLIENT

4.2.1 VIDAGE ET NETTOYAGE DE LA BOÎTE À CENDRES



AVERTISSEMENT !

N'utilisez pas d'outils ni d'objets pointus pour nettoyer le boîtier interne ; cela pourrait l'endommager et diminuer sa durée de vie utile.



REMARQUE !

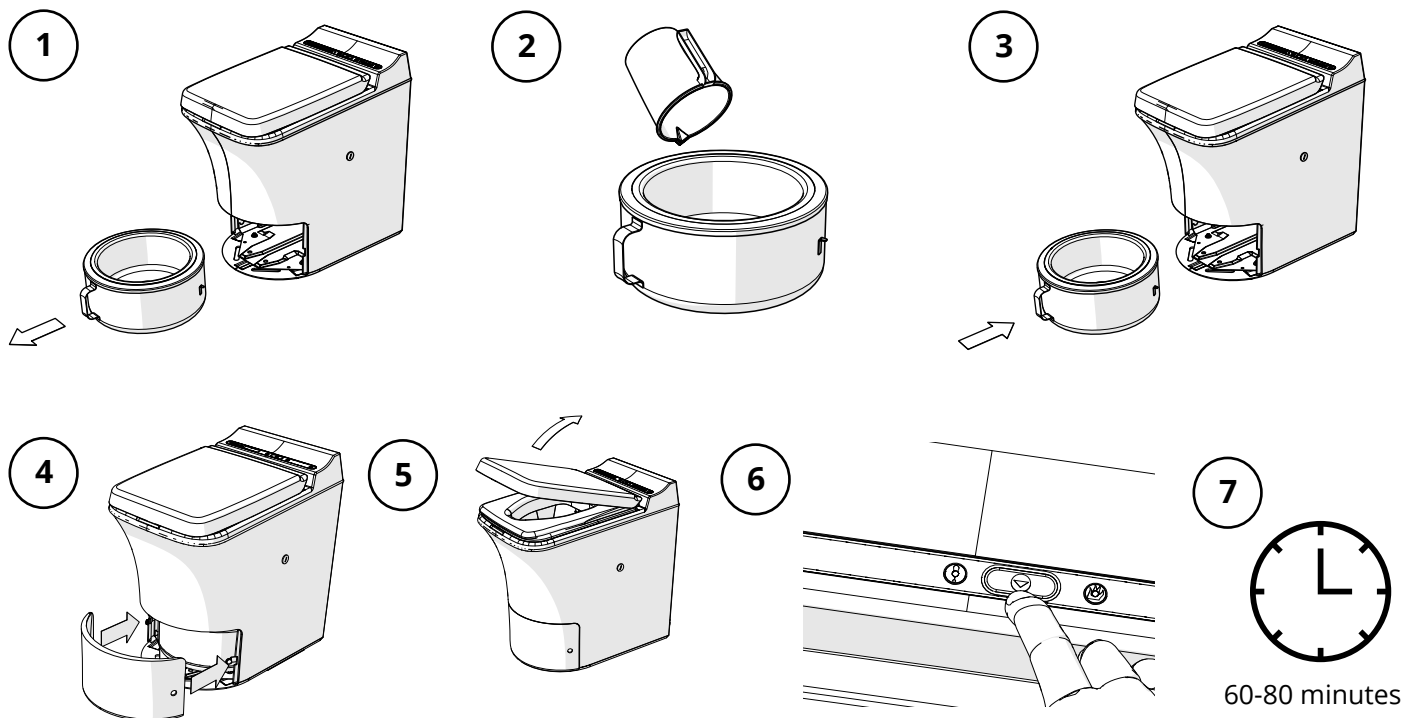
- Afin de garantir le fonctionnement optimal de vos toilettes, nous vous recommandons d'effectuer la procédure de « nettoyage à la vapeur » conformément au paragraphe 4.2.2 chaque fois que vous videz et lavez le boîtier interne. Cela permet d'éviter l'accumulation éventuelle de dépôts noirs et indésirables dans le catalyseur et le système d'échappement des toilettes.
- Lorsque vous videz les toilettes, veillez à ce qu'elles soient branchées au secteur. Si vous videz les toilettes lorsqu'elles sont débranchées, le système ne pourra pas réinitialiser le compteur d'utilisations.

4.2.2 NETTOYAGE À LA VAPEUR DU CATALYSEUR

Fréquence recommandée : Lors du vidage de la boîte à cendres ou au moins toutes les 500 utilisations. Pour effectuer le nettoyage à la vapeur :

1. Vérifiez que les toilettes sont froides et que la boîte à cendres est vide et propre (cf. la section 4.2.1).
2. Retirez panneau avant puis sortez la boîte à cendres.
3. Versez environ 1 L d'eau propre dans le boîtier interne des toilettes.

4. Remplacez la boîte à cendres en prenant soin de ne pas renverser d'eau, puis remettez en place le panneau avant.
5. Soulevez l'abattant et vérifiez que le ventilateur commence à tourner.
6. Appuyez sur la touche « Start » pour démarrer l'incinération.
7. L'eau commencera à bouillir et la vapeur éliminera tout débris se trouvant dans le catalyseur. Ce nettoyage du système prend généralement entre 60 et 80 minutes.



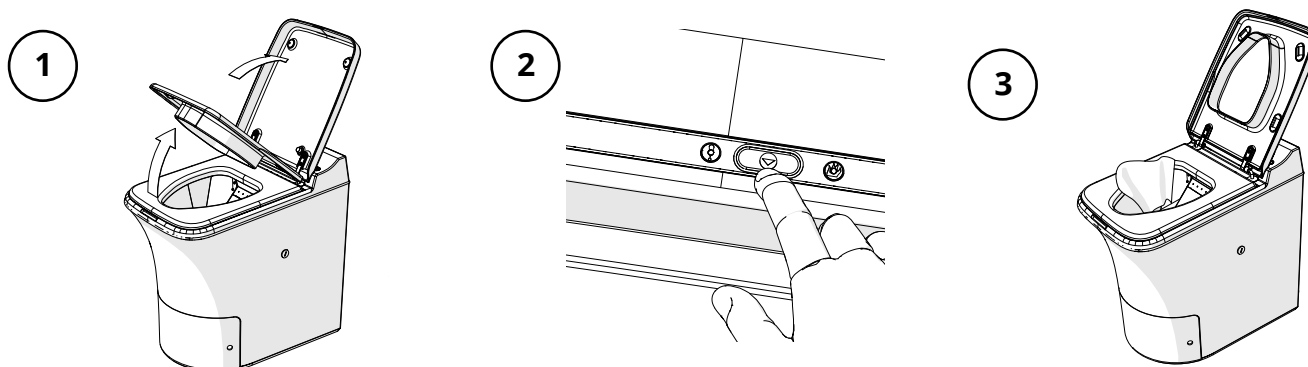
REMARQUE !

N'utilisez pas les toilettes pendant l'entretien car cela nuirait au nettoyage. Vous pouvez utiliser les toilettes lorsqu'elles sont de nouveau en mode veille.

4.2.3 NETTOYAGE DE LA CUVETTE

Fréquence recommandée : lorsque cela est nécessaire pour assurer la propreté et lors du vidage de la boîte à cendres. Nettoyage de la cuvette :

1. Relevez l'abattant.
2. Appuyez sur la touche Start et maintenez-la enfoncée 3 secondes pour ouvrir le panneau en position de lavage.
3. Utilisez du papier humide, de l'eau et un produit nettoyant doux selon les besoins. Baissez l'abattant et procédez à l'incinération.



DANGER !

N'utilisez pas de produits nettoyants inflammables pour nettoyer la cuvette. Certains bords métalliques peuvent être coupants. Les toilettes doivent être refroidies et en mode veille avant de nettoyer la cuvette.



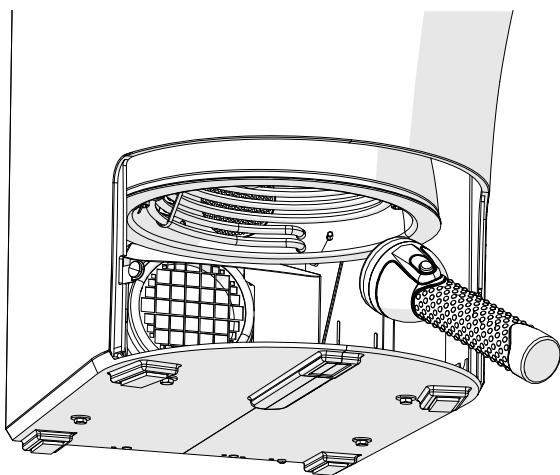
AVERTISSEMENT !

N'utilisez pas de produits nettoyants à base de chlore pour nettoyer la cuvette. Le chlore peut endommager le catalyseur et empêcher son bon fonctionnement s'il est utilisé pour nettoyer les toilettes.

4.2.4 INSPECTION DU CATALYSEUR

Fréquence recommandée : Toutes les 500 utilisations.

Le catalyseur est le conduit d'air primaire entre la chambre d'incinération et le point d'entrée du tuyau de cheminée sur les toilettes. Toute accumulation de particules dans le catalyseur réduira le débit et l'efficacité des toilettes, et peut entraîner de mauvaises odeurs. Il est donc important de vérifier que le catalyseur est toujours ouvert. Toute modification du temps d'incinération, de l'efficacité de l'incinération ou de l'odeur, peut être due à une conversion catalytique dense. La meilleure façon de nettoyer le catalyseur facilement est d'effectuer un « nettoyage à la vapeur » comme indiqué à la section 4.2.2. Vous pouvez également inspecter la partie avant du catalyseur en retirant la boîte à cendres puis en éclairant l'intérieur de la chambre à incinération. Toutes particules ou odeurs persistantes après le nettoyage à la vapeur doivent être éliminées en rinçant le convertisseur avec de l'eau chaude comme indiqué à la section 5.3.2.



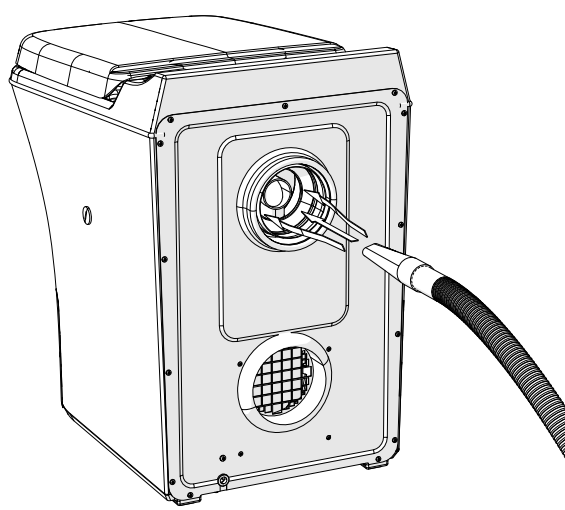
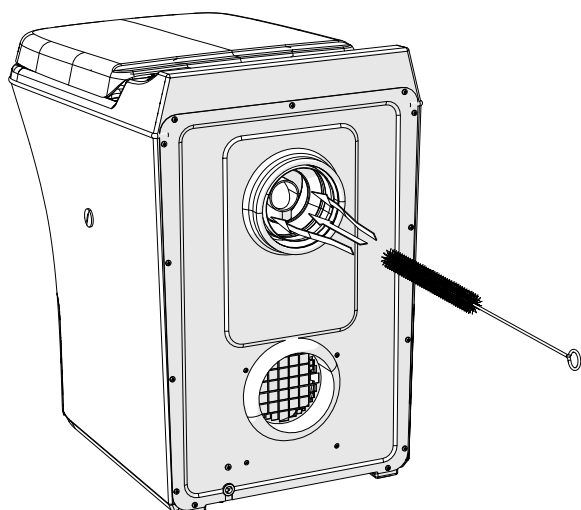
REMARQUE !

Tout signe évident de corrosion ou de déformation du convertisseur catalytique indique que ce dernier doit être remplacé. Veuillez contacter votre prestataire de services local pour un entretien.

4.2.5 NETTOYAGE DE LA PRISE DU TUYAU DE CHEMINÉE DES TOILETTES

Fréquence recommandée : au moins toutes les 500 utilisations.

1. Les toilettes devront être débranchées du tuyau de cheminée et de la source d'alimentation.
2. Nettoyez le raccord du tuyau de cheminée avec une brosse souple ; il est important de nettoyer à la fois le tuyau d'échappement et le venturi qui l'entoure jusqu'aux pales du ventilateur, afin d'obtenir un débit d'air suffisant.
3. Retirez la boîte à cendres et nettoyez les débris présents.
4. Utilisez un aspirateur pour éliminer les débris restants du tuyau d'échappement et du catalyseur.
5. Raccordez les toilettes au tuyau de cheminée et à l'alimentation électrique.
6. Installez la boîte à cendres et le panneau avant.
7. Nous recommandons d'effectuer un nettoyage à la vapeur comme décrit à la section 4.2.2 après avoir réalisé l'entretien du raccord du tuyau de cheminée.



4.2.6 RINÇAGE DU CATALYSEUR À L'EAU CHAUDE

Fréquence recommandée : Toutes les 500 utilisations.

Un rinçage à l'eau du catalyseur peut s'avérer nécessaire si le nettoyage à la vapeur ne parvient pas à éliminer les particules ou les mauvaises odeurs. Cette procédure demande de soulever des objets lourds et de disposer d'un endroit où il est possible de déverser l'eau. Veillez à effectuer les étapes 1-4 de la procédure « Nettoyage du raccord du tuyau de cheminée » (4.3.1) et suivez les étapes suivantes :

1. Placez les toilettes à un endroit où l'eau ne risque pas de s'écouler, par exemple à un endroit disposant d'une canalisation appropriée, à l'extérieur ou dans une baignoire. Utilisez l'entonnoir Cinderella spécialement conçu à cet effet, ou un entonnoir adapté au tuyau d'échappement. Inclinez légèrement les toilettes vers l'avant puis versez 2 à 3 litres d'eau chaude dans le tuyau d'échappement et le catalyseur. L'eau excédentaire doit être propre à la fin du rinçage. Si nécessaire, utilisez davantage d'eau pour nettoyer correctement le système.
2. Répétez l'étape 1 4 à 5 fois jusqu'à ce que l'eau soit propre et qu'aucun cristal ou autre obstruction ne soit détecté lors de l'inspection du catalyseur (voir section 4.2.4).
3. Rebranchez l'appareil au tuyau de cheminée et à l'alimentation électrique.
4. Installez la boîte à cendres et le panneau avant.
5. Effectuez le test de performance comme décrit dans la section 2.8.



REMARQUE !

Avant de débrancher les toilettes et de rincer le système à l'eau chaude, inspectez le catalyseur et effectuez un nettoyage à la vapeur conformément à la section 4.2.2. Si le catalyseur est toujours bouché ou si vous sentez toujours une odeur lors de l'incinération, effectuez le rinçage du système conformément à la section 4.3.2.



AVERTISSEMENT !

L'avant de la coque extérieure est mince et ne doit donc pas supporter tout le poids des toilettes. Inclinez doucement les toilettes et assurez-vous de les placer dans une position garantissant la protection de la coque. Deux personnes sont recommandées pour effectuer cette opération, l'une tenant les toilettes pendant que l'autre rince le catalyseur.

5. DÉPANNAGE ET FAQ



ATTENTION !

L'entretien doit être effectué dans le respect de tous les normes nationales, municipales et régionales. En cas d'incertitude concernant les réglementations applicables dans votre région, veuillez contacter votre agent d'entretien ou concessionnaire le plus proche pour de plus amples informations. Les toilettes doivent être débranchées du secteur lors de l'entretien et de la maintenance.

Guide de dépannage en ligne

Les signaux sonores et lumineux du panneau de commande des toilettes indiquent l'état de fonctionnement de celles-ci. Les temps d'arrêt et les défaillances des toilettes seront signalés par divers signaux sonores et lumineux, comme le décrit la section 5.1 de ce manuel. Nous avons répertorié les erreurs et les problèmes les plus courants dans un guide de dépannage en ligne, afin que vous puissiez facilement obtenir des réponses à vos questions et des suggestions sur la manière de résoudre vous-même le problème.

Remise à zéro du système des toilettes

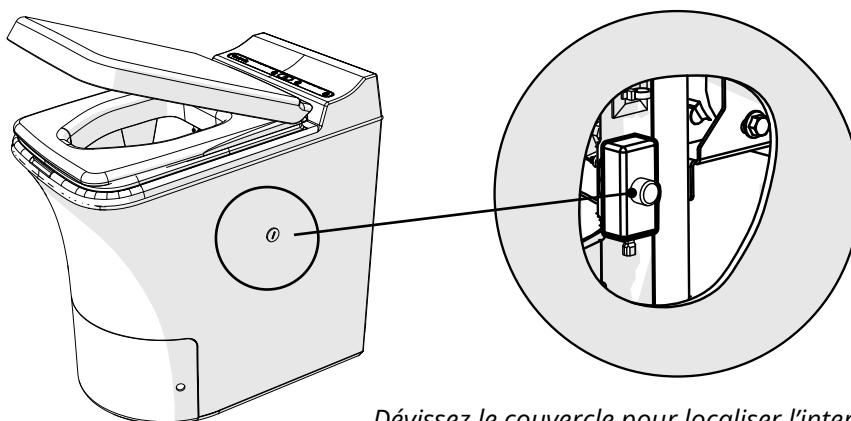
Pendant le nettoyage et le dépannage, il peut s'avérer utile de réinitialiser le circuit électronique. Vous pouvez le faire en appuyant sur la touche « Start ». Vous devez entendre un court bip. Maintenez la touche enfoncée pendant environ 8 secondes jusqu'à émission d'un long bip, puis relâchez la touche.

Messages d'erreur

Si les voyants clignotent, cherchez-en la raison et résolvez le problème avant d'utiliser les toilettes. En cas de dysfonctionnement, par exemple en cas d'odeurs, d'incinération incomplète ou de pannes du système, agissez immédiatement afin d'éviter tous dommages et frais de réparation superflus.

Thermostat bimétallique déclenché

Le thermostat bimétallique se déclenche si la température interne des toilettes est trop élevée. Cela se produit normalement s'il y a un manque de circulation d'air, ou en cas de colmatage dans la partie admission ou évacuation de l'installation. Par conséquent, il convient de vérifier que l'admission d'air est conforme aux spécifications, et que le tuyau de cheminée est ouvert et qu'il n'est pas obstrué. Procédez à un examen visuel du catalyseur et effectuez la procédure de nettoyage à la vapeur conformément à la section 4.2.2. Pour réinitialiser le thermostat, dévissez la vis en plastique sur le côté des toilettes, appuyez sur le bouton et revissez-la.



Dévissez le couvercle pour localiser l'interrupteur bimétallique.

En cas de coupure de courant

Si l'incinération est en cours pendant une coupure de courant, il se peut que vous sentiez temporairement des odeurs à l'intérieur des toilettes et que de la fumée et des odeurs s'échappent du tuyau de cheminée à l'extérieur. Le ventilateur fonctionnera sur batterie jusqu'à son refroidissement. Comme l'incinération ne redémarre pas automatiquement lorsque le courant est rétabli, vous devez lancer manuellement une nouvelle incinération. Si la coupure risque de durer plus de deux heures, il est important de vider tous les déchets des toilettes pour éviter tout dommage s'ils y restent pendant une période prolongée. N'utilisez jamais les toilettes pendant une coupure de courant.

Odeurs dans la pièce

Elles peuvent être attribuées à plusieurs causes :

1. Le fait de ne pas avoir placé un sac à chaque utilisation des toilettes ou à une utilisation incorrecte du sac.
2. La circulation de l'air est peut-être bloquée. Inspectez le tuyau et le chapeau de cheminée.
3. Vérifiez que l'installation a été réalisée conformément au manuel d'installation. Une obstruction trop importante dans le tuyau de cheminée peut provoquer une contre-pression et des odeurs à l'intérieur.
4. Le tuyau d'échappement est peut-être encrassé. Cf. la section 4.3.1.
5. Il se peut que le catalyseur soit encrassé. Cf. la section 4.3.2.
6. Le tuyau d'évacuation n'est pas correctement fixé aux toilettes. Cf. la section 2.5.2.

Odeurs à l'extérieur

Les raisons peuvent être les mêmes que pour les odeurs dans la pièce, ainsi que :

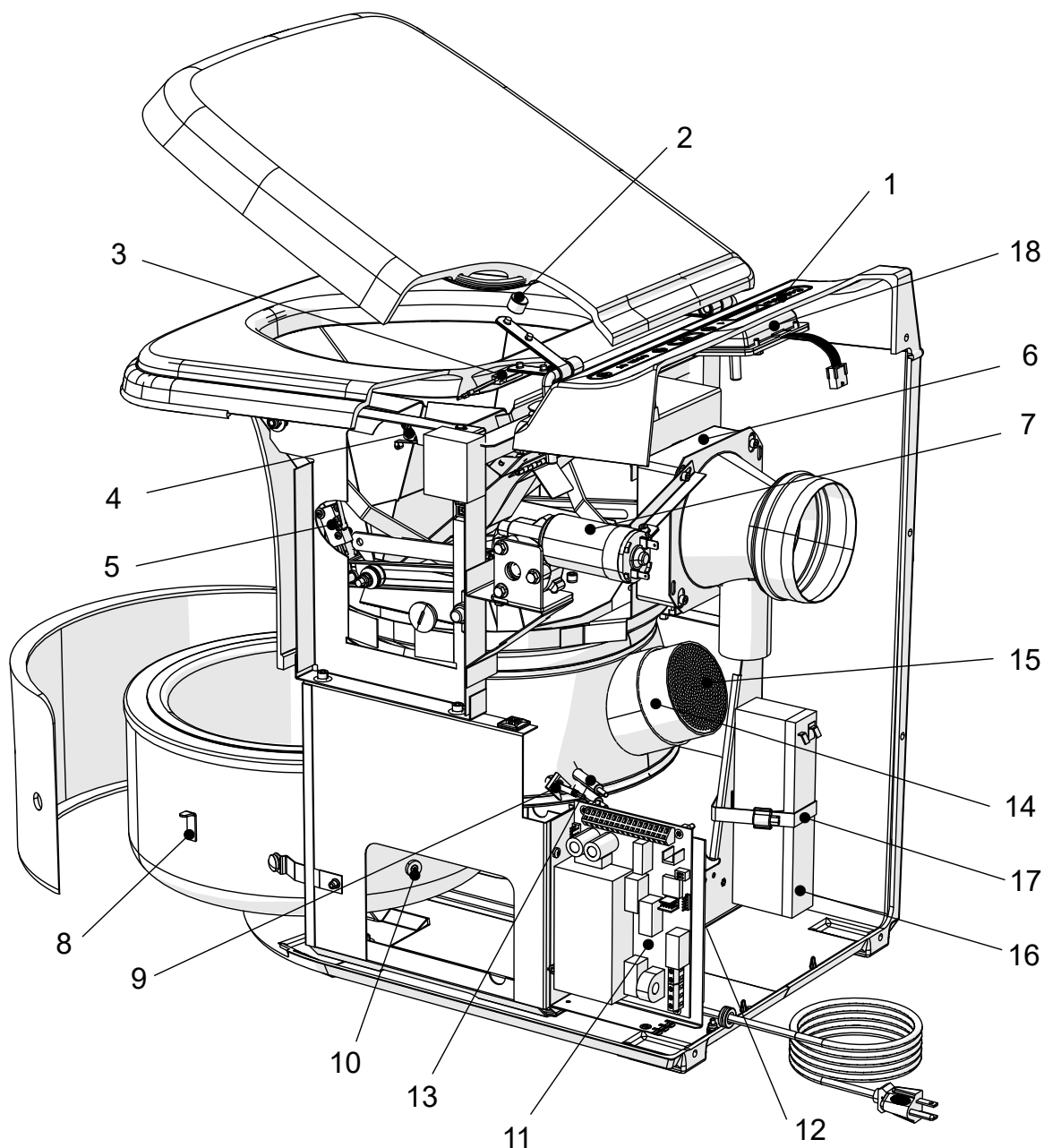
1. Le catalyseur n'a pas atteint la température de service. Lorsque les toilettes sont froides, il peut s'écouler quelques minutes avant que le catalyseur n'atteigne la température à laquelle il commence à fonctionner correctement.
2. Il se peut que le catalyseur soit corrodé ou déformé. Contactez votre service après-vente.

5.1 TABLEAU DE DÉPANNAGE

ERREUR	MESSAGE AFFICHÉ	VOYANT ROUGE	VOYANT JAUNE	VOYANT VERT	SON	ACTIONS
La boîte à cendres a besoin d'être vidée	Videz tir. cendre	CLIGNOTANT EN ALTERNANCE	CLIGNOTANT EN ALTERNANCE	CONTINU	3 BIPS	1 Retirez et videz la boîte à cendres. *Les toilettes doivent être branchées au 230 V.
La boîte à cendres a besoin d'être vidée. Toilettes verrouillées.	Toil. fermées tir. cendre plein	CONTINU	CONTINU	CONTINU	3 BIPS TOUTES LES 10 SECONDES	1 Retirez et videz la boîte à cendres. * Les toilettes doivent être branchées au 230 V.
Pas d'alimentation électrique		ÉTEINT	ÉTEINT	ÉTEINT		1 Vérifiez que les toilettes sont branchées au secteur, 230 V CA.
Erreur ventilateur	Erreur ventilateur	CLIGNOTANT	ÉTEINT	CLIGNOTANT	10 BIPS	1 Vérifiez que le ventilateur n'est pas obstrué et qu'il tourne correctement. 2 Réinitialisez les toilettes (maintenez la touche « Start » enfoncée). 3 Relevez l'abattant jusqu'à ce que le voyant rouge clignote, baissez l'abattant et appuyez sur « Start ». Si l'erreur persiste, appelez l'assistance technique.
Ventilateur de l'incinérateur	Erreur Ventilateur de l'incinérateur	CLIGNOTANT		CLIGNOTANT	10 BIPS	1 Vérifiez que le ventilateur n'est pas obstrué. 2 Réinitialisez les toilettes. 3 Relevez et abaissez l'abattant. 4 Commencez l'incinération. 5 Si l'erreur persiste, débranchez et appelez le service technique.
Mauvais fonctionnement du mécanisme du panneau	Erreur mécanisme trappe	CLIGNOTANT	ÉTEINT	CONTINU	10 BIPS	1 Si les toilettes sont chaudes, réinitialisez-les. 2 Relevez l'abattant jusqu'à ce que le voyant rouge clignote, baissez l'abattant et appuyez sur « Start ». 3 Si le problème persiste, réinitialisez les toilettes, insérez un sac papier, versez 3 tasses d'eau dans le sac, baissez l'abattant et appuyez sur « Start ». 4 Si le problème persiste, attendez que les toilettes aient refroidi (le ventilateur s'arrête), redémarrez les toilettes, relevez l'abattant lorsque la trappe s'ouvre, puis retirez manuellement les objets coincés. 5 Si le problème persiste, appelez l'assistance technique.
Boîte à cendres mal positionnée	Tiroir à cendres hors de position	CLIGNOTANT	CLIGNOTANT	CONTINU	3 BIPS	1 Ajustez la position de la boîte à cendres, faites tourner la poignée vers la gauche. 2 Vérifiez que la goupille de butée du récipient est intacte. 3 Vérifiez visuellement l'état de l'aimant situé sur la boîte à cendres. Si le problème persiste, appelez l'assistance technique.
Circuit de chauffage interrompu	Erreur circuit chauff	ÉTEINT	CLIGNOTANT	CONTINU	BIPS CONTINUS	1 Réinitialisez les toilettes. 2 Vérifiez le thermostat bimétallique sur la droite des toilettes. Dévissez la prise grise et poussez le fusible avec le doigt : n'utilisez pas d'objet pointu. Si le fusible a été déclenché, vous entendrez un clic. Cf. la section 5. 3 Si le fusible n'était pas le problème, redémarrez les toilettes et essayez de les faire démarrer. Répétez l'opération deux ou trois fois. Si le problème persiste, appelez l'assistance technique.
Le capteur de l'abattant des toilettes s'est déclenché	Abattant ouvert	CLIGNOTANT	ÉTEINT	CONTINU	AUCUN	1 Vérifiez l'aimant situé à l'intérieur de l'abattant puis baissez l'abattant. Si le problème persiste, appelez l'assistance technique.
Mauvais fonctionnement du capteur de température	Erreur capteur tempér	ÉTEINT	CLIGNOTANT	CLIGNOTANT	BIPS CONTINUS	1 Réinitialisez les toilettes. 2 Relevez l'abattant jusqu'à ce que le voyant rouge clignote, baissez l'abattant et appuyez sur « Start ». 3 Si le problème persiste, appelez l'assistance technique.
Message illisible/ pas de message affiché	Écran illisible/ vide					1 Débranchez les toilettes et attendez 5 minutes. 2 Rebranchez les toilettes et redémarrez-les. 3 Si le problème persiste, appelez l'assistance technique.

6. RÉPARATIONS ET PIÈCES DE RECHANGE

6.1 LISTE DES PIÈCES DE RECHANGE



ID	DESCRIPTION	ART. N°	ID	DESCRIPTION DES PIÈCES	ART. N°
1	Panneau de commande Comfort avec affichage	100115	12	Capteur Hall avec longueur réduite de fil	100965
2	Aimant 14 x 10 mm	100433	13	Élément chauffant 230 V CA	100862
3	Capteur Hall avec câble et adhésif L= 330mm	100964	14	Isolant en tissu du catalyseur	100163
4, 5	Minirupteur	101127	15	Catalyseur 90 x 75 mm	100528
6	Ventilateur axial 12 V CC 119 x 38 mm	100154	16	Batterie 12 V	100083
7	Moteur Nidec 12/24V CC	101177	17	Collier 280 mm A4	100932
8	Butée 9 x 26 x 12 mm	100017	18	Affichage LED 65 x 36 x 13 Module standard	100401
9	Thermocouple L=550mm	100831			
10	Aimant 14 x 7 mm	100065			
11	Circuit imprimé (E5)	100063			

6.2 PRÉSENTATION DU PROCESSUS D'UTILISATION DE L'APPAREIL

Les toilettes Cinderella ont été conçues suivant les principes de sécurité intégrée. En cas de défaillance d'un composant ou de signaux de commande défectueux, les toilettes passeront en « mode de sécurité ». Cela signifie qu'elles ne pourront pas démarrer une incinération et des messages d'erreur apparaîtront à l'écran pour garantir que le système est protégé contre toutes les défaillances de composants et/ou de signaux qui peuvent survenir.

Les toilettes sont équipées de capteurs Hall qui contrôlent à la fois l'abattant et la boîte à cendres. Ces capteurs sont normalement ouverts et se déclenchent lorsqu'ils entrent en contact avec le ou les aimants installés à l'extérieur de la boîte et à l'intérieur de l'abattant des toilettes.

Lorsque l'abattant est ouvert, le ventilateur axial commence à ventiler le système. Après chaque utilisation, l'incinération est activée en appuyant sur le bouton du panneau de commande. Le sac de la cuvette et son contenu sont évacués de la cuvette des toilettes vers la chambre d'incinération, où ils sont incinérés en toute sécurité à une température élevée.

Le mécanisme de trappe est contrôlé par deux micro-interrupteurs, l'un monté sur le dessus du cadre des toilettes pour vérifier que la trappe est dans la position « ouverte » souhaitée, et l'autre monté sur l'extrémité avant inférieure de l'appareil assurant que la trappe est en position fermée sûre.

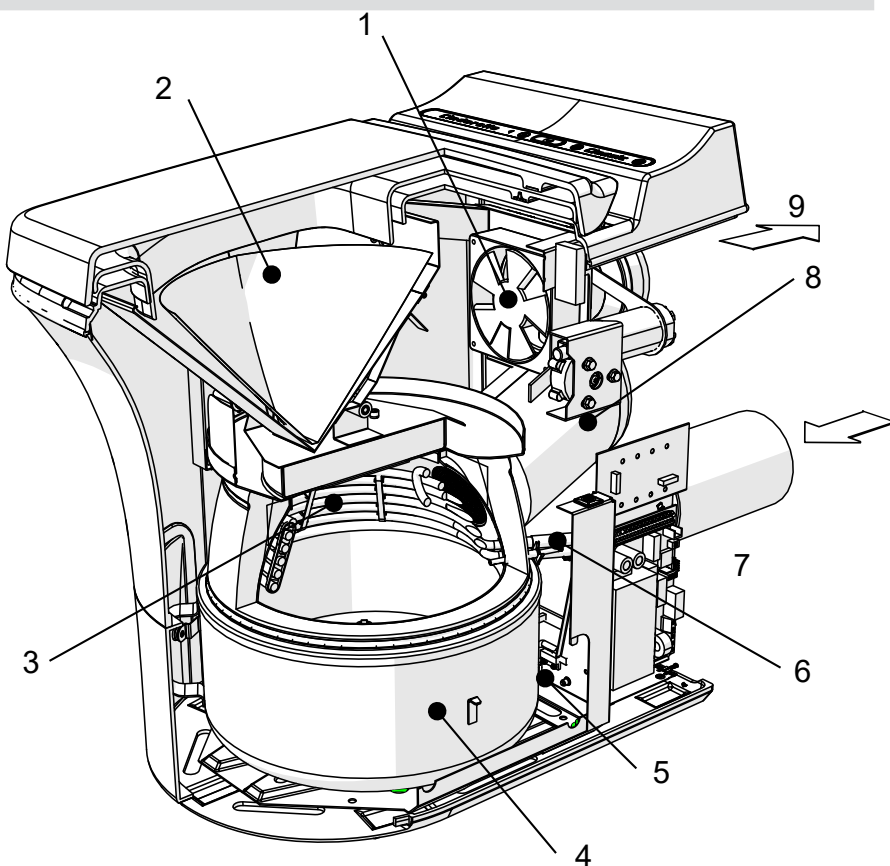
Pendant l'incinération, l'air de la pièce fournit l'oxygène nécessaire à une combustion correcte. Le tuyau d'échappement élimine la chaleur excédentaire. Toutes les fumées et vapeurs sont traitées dans un catalyseur en platine activé par la chaleur, afin de réduire les émissions et d'éliminer les odeurs.

La température interne de la chambre d'incinération est étroitement contrôlée par le thermocouple installé à l'intérieur de la chambre; la température interne des toilettes est protégée par le thermostat bimétallique installé sur le châssis intérieur des toilettes.

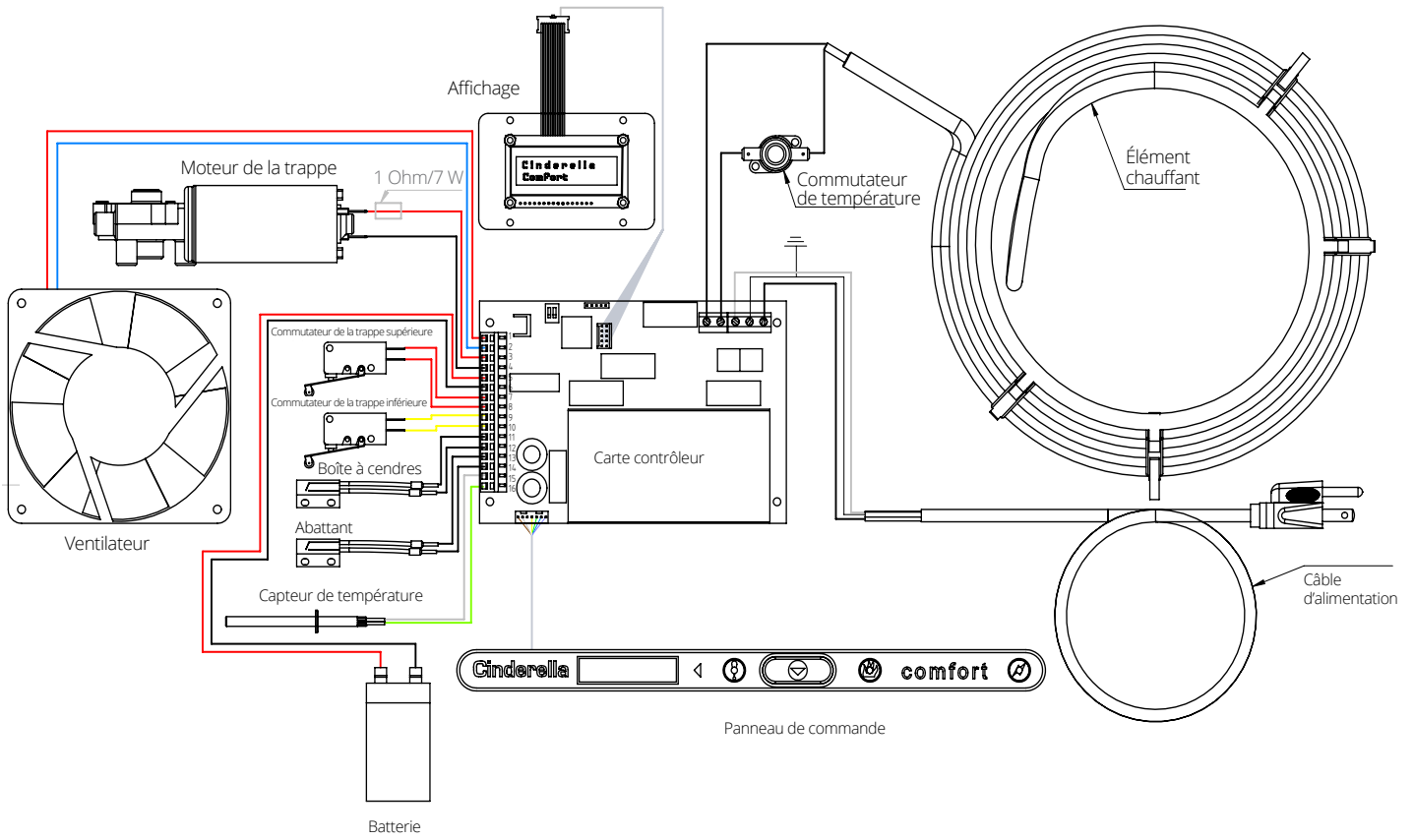
Le processus d'incinération peut prendre de 40 à 180 minutes et est contrôlé automatiquement par la technologie sensorielle des toilettes. Les toilettes peuvent être utilisées à tout moment pendant l'incinération. Le processus d'incinération sera interrompu lorsque l'abattant est ouvert et automatiquement réactivé lorsque l'abattant est fermé. De nombreux mécanismes de protection existent pour assurer un fonctionnement en toute sécurité. Voir la section 3.5 de ce manuel.

6.3 FICHE TECHNIQUE

ID	DESCRIPTION
1	Ventilateur axial
2	Sac placé dans la cuvette
3	Élément chauffant
4	Boîte à cendres
5	Capteur
6	Thermocouple
7	Admission d'air
8	Catalyseur
9	Évacuation d'air



6.4 SCHÉMA DE CÂBLAGE



7. GARANTIE

Portée de la garantie

Cette garantie couvre toute défektivité de piéces ou de main-d'oeuvre de vos toilettes sèches à combustion Cinderella, sous réserve des conditions et exclusions suivantes et pour la période indiquée ci-après.

Exclusions

Cette garantie ne couvre pas l'usure normale ou tout dommage dû à un accident (y compris les incendies, inondations, tempêtes, actes de force majeure ou désastres naturels), à une utilisation incorrecte ou non conforme, à un non-respect des instructions du fabricant ou à un mauvais entretien. Les dommages accessoires directs ou indirects ne sont pas couverts par cette garantie. Certaines juridictions n'acceptent pas l'exclusion ou la limitation des dommages accessoires directs ou indirects, auquel cas cette clause de limitation et d'exclusion ne vous concerne pas.

Durée de la garantie

Cette garantie est valable trois (3) ans à partir de la date d'achat initial.

La responsabilité de Cinderella Eco Canada Ltd.

En cas de réclamation valable dans le cadre de cette garantie, Cinderella Eco Canada Ltd réparera, remplacera ou remboursera vos toilettes sèches à combustion Cinderella, à son entière discrétion.

Service

Pour le service de vos toilettes, contactez Cinderella Eco Canada Ltd. ou rendez-vous chez un prestataire de service autorisé. Les prestations disponibles dépendent du pays dans lequel le service est demandé et peuvent se limiter au pays d'achat initial. Les frais d'appel et d'expédition internationale peuvent s'appliquer en fonction du pays.

Il se peut que l'on vous demande de fournir une preuve d'achat lorsque vous faites une réclamation dans le cadre de cette garantie. Pour de plus amples renseignements en rapport avec la garantie, veuillez vous reporter à notre page Web : www.cinderellaeco.com

Application du droit national

Cette garantie vous octroie certains droits légaux, et vous pouvez bénéficier d'autres droits en fonction de votre État de résidence. Veuillez consulter la réglementation locale.

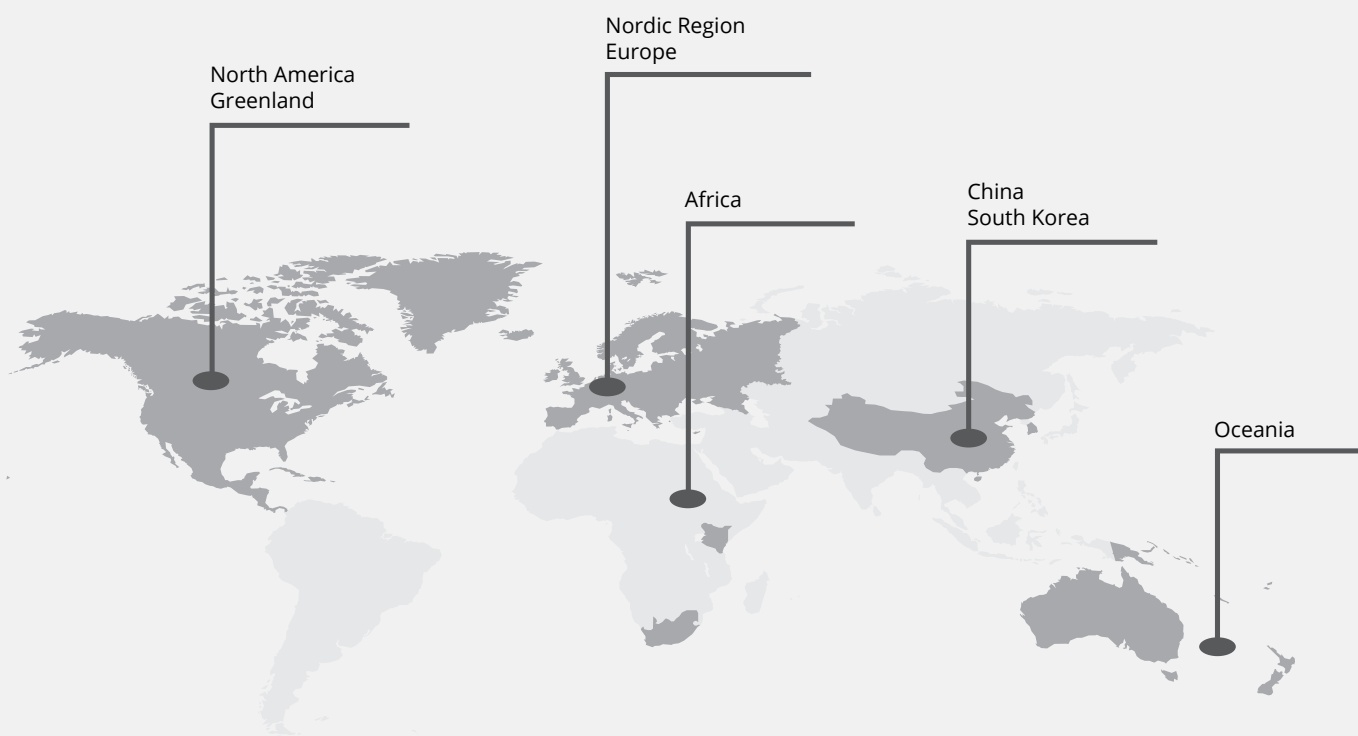
Cinderella Eco Canada Ltd.
2 Robert Speck Pkwy
Suite 750
Mississauga, Ontario Canada
L4Z 1H8

Pour les ventes, l'assistance et la maintenance, veuillez appeler le (905)-281-8566 ou envoyer un courriel à : support.canada@cinderellaeco.com ou visitez le site www.cinderellaeco.com



Cinderella[®]
Cinderella Eco Group

CINDERELLA'S GLOBAL PRESENCE



Cinderella Eco Group AS
Sjøvikvegen 67, NO-6475 Midsund, Norway
www.cinderellaeco.com