

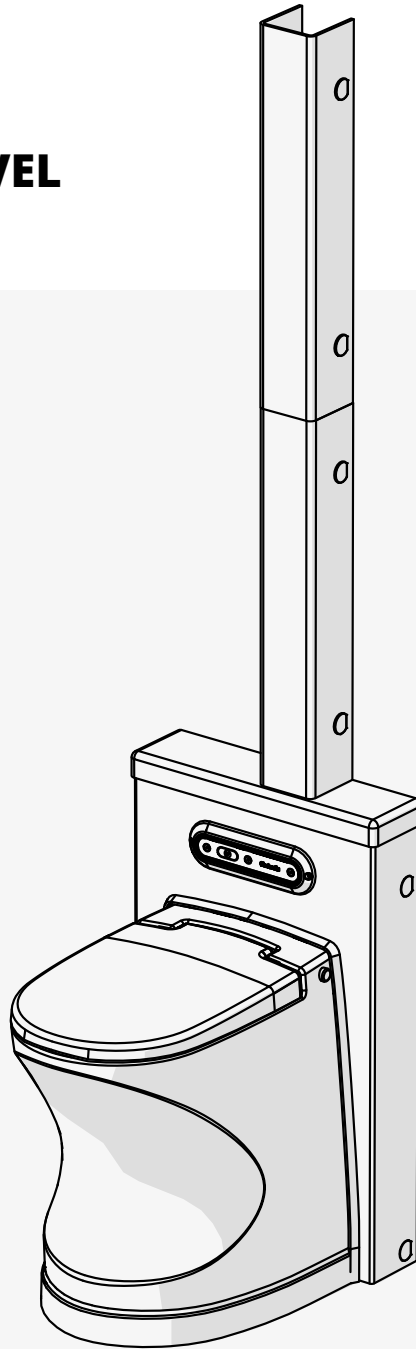


**Cinderella**<sup>®</sup>  
Incineration Toilets

## **BUILD IN BOX TRAVEL**

Installation instruction

   Made in Norway



# 1. GENERAL SECTION

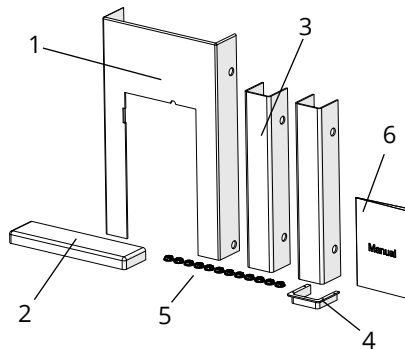
## 1.1 INTRODUCTION

Build in box Travel is designed to ease the installation of a Cinderella Travel. It is an alternative to installing the appliance into walls or cabinets.

## 1.2 TOOLS NEEDED

- 16x screws
- Screwdriver
- Hole saw/bore 22mm
- Handsaw or electric saw (optional)
- Hole saw/bore 26mm (optional)

## 1.3 WHAT IS INCLUDED IN THE KIT



BUILD IN BOX TRAVEL		QTY
1	Box	1
2	Top	1
3	Pipe cover	2
4	Bracket	1
5	Screw plug	12
6	Installation instruction	1

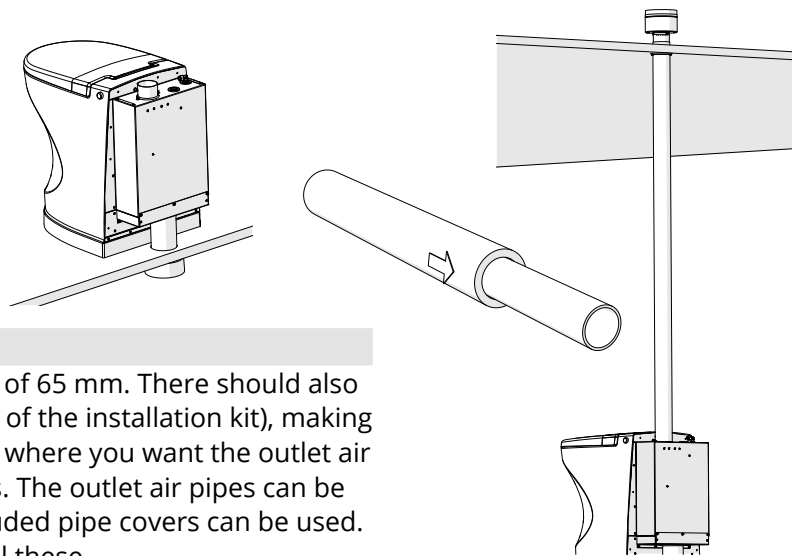
# 2. INSTALLATION

## 2.1 PLANNING AND POSITIONING

Position the appliance and Build in box where you intend to install it, the appliance should have a little gap to the wall and the Build in box flush to the wall. Plan out where you want the inlet and outlet air pipes to go, as well as the control panel to be located.

## 2.2 INSTALLATION OF INLET AIR

The inlet air pipe is flexible with a diameter of 80 mm. Drill a hole to a point where the toilet has access to fresh air. The most common way to install inlet air in a caravan is straight down from the appliance. Use the end cap delivered in the travel installation kit on the end of the pipe.

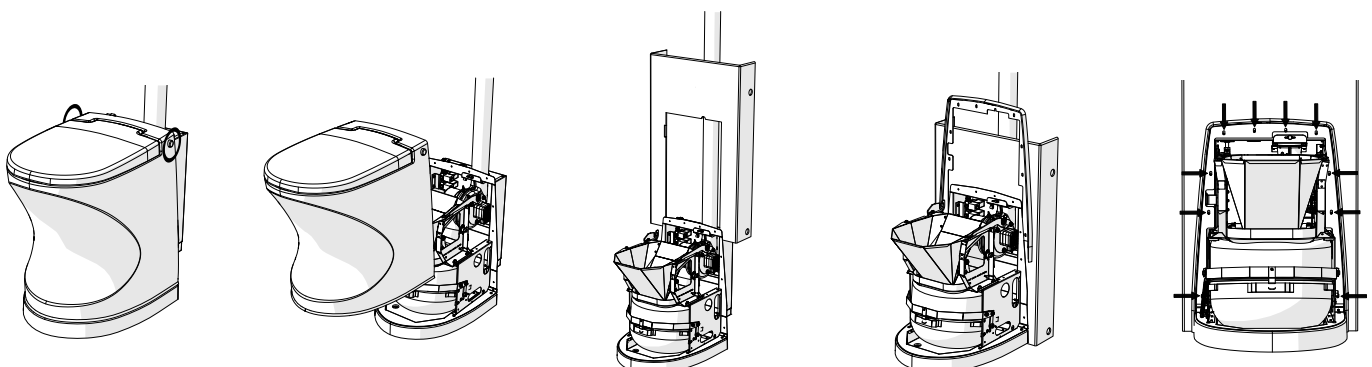


## 2.3 INSTALLATION OF OUTLET AIR

The outlet air pipe is flexible with a diameter of 65 mm. There should also be Armaflex insulation around the pipe (part of the installation kit), making the diameter 90 mm (*Illustration 2*). Consider where you want the outlet air pipes to be installed before drilling any holes. The outlet air pipes can be hidden inside cabinets or similar, or the included pipe covers can be used. See sect. 2.7 for instructions on how to install these.

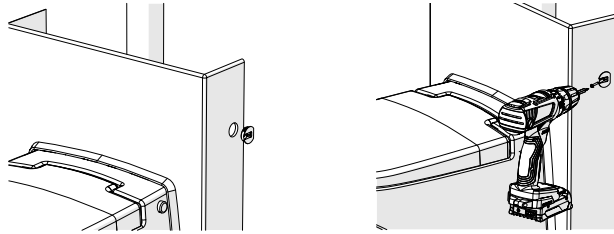
## 2.4 FASTENING THE APPLIANCE TO THE BUILD IN BOX

Your Cinderella Travel appliance should be fastened to the box by screwing the 10 screws through the metal flange, then the plastic trim and finally into the box. The screw holes on the flange can be seen after removing the shell. Make sure that the metal flange is the outermost part, then the plastic trim, and then the box.



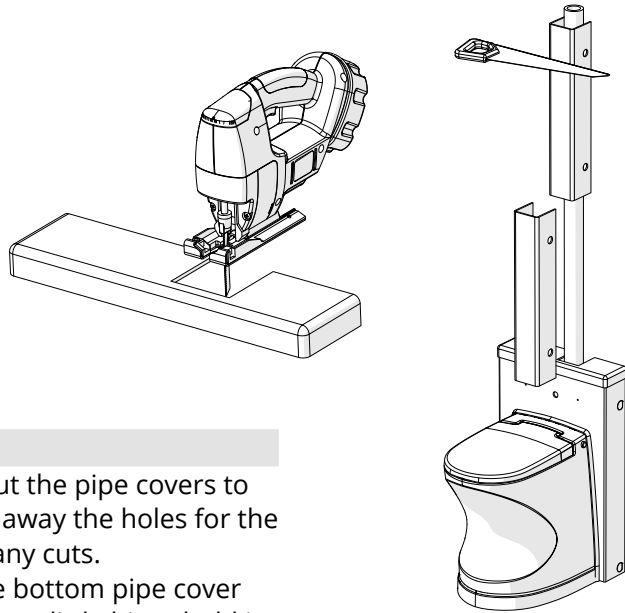
## 2.5 FASTENING THE BUILD IN BOX TO THE WALL

Insert the screw plugs into the holes on the side of the box, with the screw hole facing towards the wall. Use screws through the plugs to fasten the box to the wall. Use screws that are long enough to reach the wall. Make sure not to tighten the screws too hard as the box walls may start to curve.



## 2.6 MOUNTING THE LID

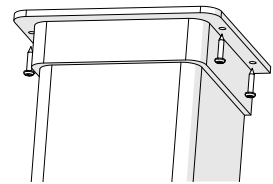
The lid is designed to not be fastened by screws, this is to give easy access to the backside of the appliance if needed. Simply slide the lid on top of the box. If the outlet air pipe is to go through the lid, cut away a segment of the material big enough for the pipe to go through. Make sure it is not so big that the pipe cover won't cover the cutout, the pipe and insulation has a diameter together of around 90 mm. The pipe covers will help hold the lid in place. If the lid becomes too loose and starts moving, use a piece of tape or removable adhesive to hold the lid in place.



## 2.7 FASTENING THE PIPE COVERS

The pipe covers are used to hide the pipes. Simply cut the pipe covers to the necessary length. If possible, try to avoid cutting away the holes for the screw plugs. Please read section 2.8 before making any cuts.

When fastening the pipe covers to the wall, place the bottom pipe cover on top of the lid, so that it pushes down on the lid just a little bit to hold it in position. Fasten them the same way to the wall as done with the box.

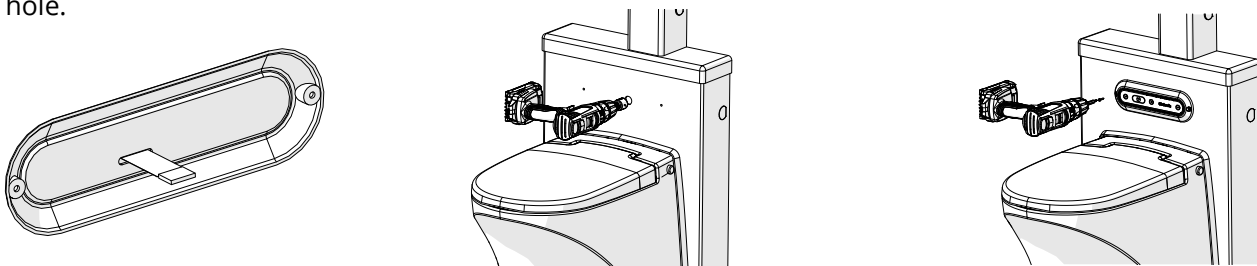


## 2.8 FASTENING THE BRACKET

The bracket can be fastened to the ceiling outside of the pipe covers to hide imperfections in the cut, and also to hold the pipe covers in place if the hole for the screw plug has been removed.

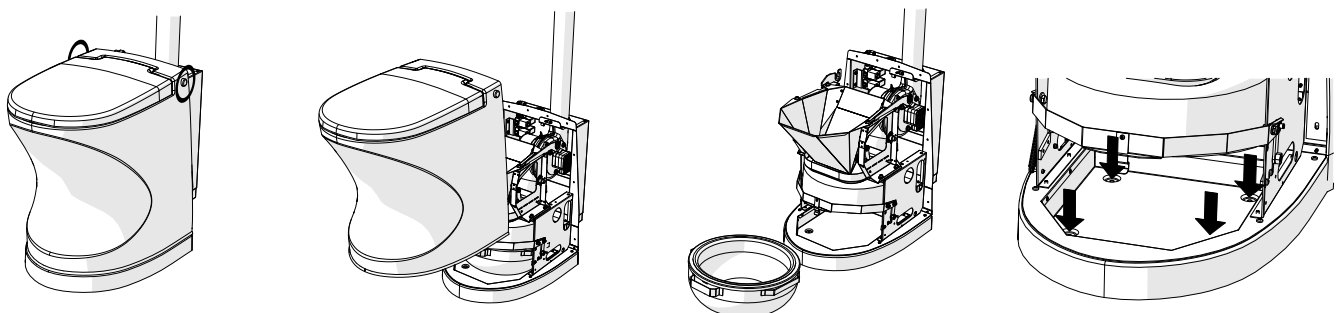
## 2.9 FASTENING THE CONTROL PANEL

The control panel can be installed anywhere, so long as the cable is long enough. The panel can be installed as shown in the pictures below, or in another position to your liking. Make a 22mm hole for the cable to pass through. Note that the cable is not positioned in the center of the control panel, so be mindful of where you drill the hole.



## 2.10 FASTENING THE APPLIANCE TO THE FLOOR

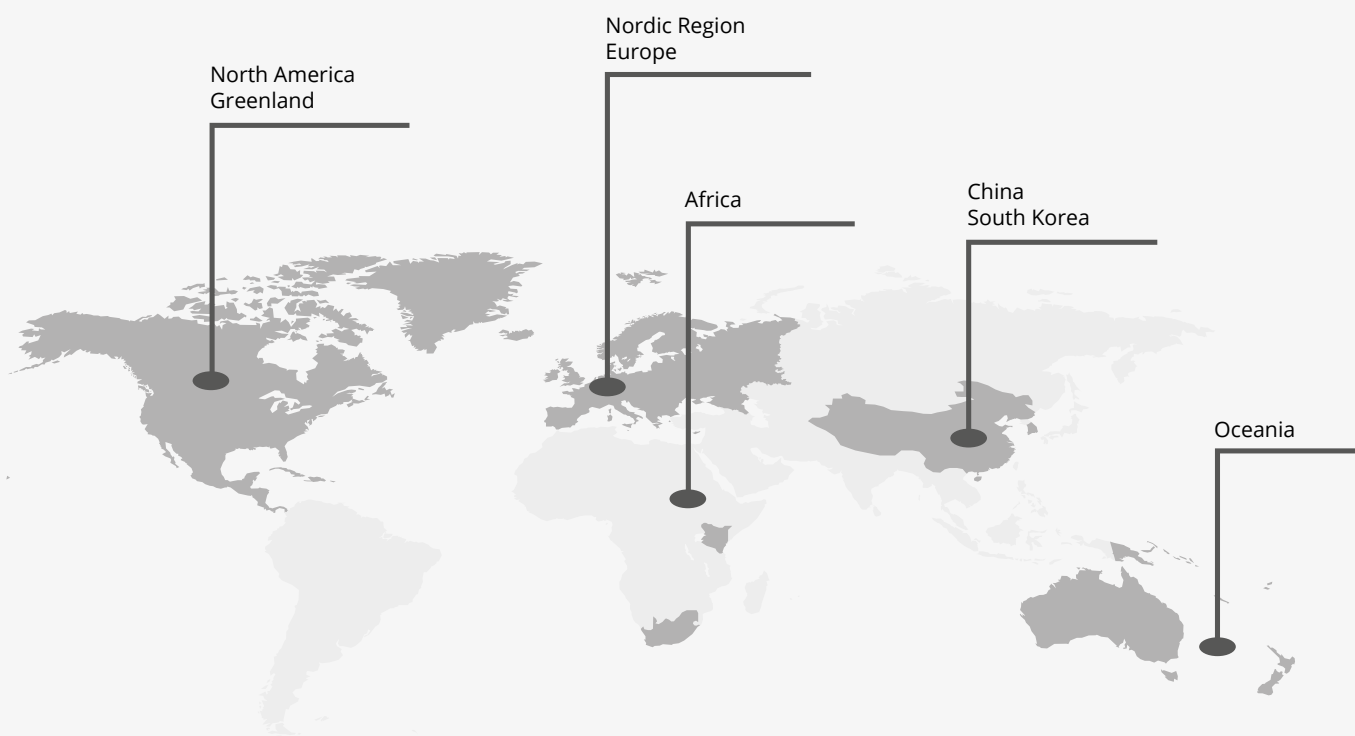
After the inlet and outlet pipes have been installed, the appliance should be fastened to the floor. Remove the outer shell and ash container from your Cinderella Travel and use 4 screws to fasten the appliance to the floor.





**Cinderella**<sup>®</sup>  
Incineration Toilets

## CINDERELLA'S GLOBAL PRESENCE



Cinderella Eco Group AS  
Sjøvikvegen 67, NO-6475 Midsund, Norway  
[www.cinderellaeco.com](http://www.cinderellaeco.com)