

drive™

www.drivemedical.co.uk



Drive Medical Ltd, Ainleys Ind Est
Elland, West Yorkshire, HX5 9JP, UK

Australian Sponsor:

Drive Medical PTY Limited
60/266 Osbourne Avenue,
Clayton South, Melbourne,
Victoria, 3169, Australia



Issue B

IDSOFT Tilt In Space Wheelchair

User Manual

CE

FOREWORD

Congratulations on the receipt of your Drive Medical wheelchair. Understanding how to operate and regularly maintain the wheelchair will prolong its service life. We recommend to read this user manual to familiarise yourself with this wheelchair.



Drive Medical offers a wide range of wheelchairs and equipment adapted to users' needs. However, we recommend that you consult your healthcare professional about the configuration and prescription of your wheelchair.

Table of Contents:

1. Intended Use
2. Warnings
3. Parts Description
4. Safety Instructions and Transportation
5. Delivery and Setup
6. Operation
7. Regular Maintenance
8. Cleaning and Servicing
9. Warranty
10. Specification
11. Assembly and Adjustments

1. Intended Use

Target Users

Your healthcare professional should be consulted regarding the selection and configuration of the IDSOFT wheelchairs. The healthcare professional should also instruct the user on the operation of their wheelchair.

Indications

The IDSoft wheelchair is suitable for users who have restricted mobility, such as lower-limb paralysis which means they are unable to walk. The IDSoft wheelchair is suitable for children and adults weighing between 40kg and 135kg. The easy-to-manoeuvre wheelchair can be used indoors and outdoors. Thanks to its comfort

seating and configurability the IDSoft can aid users with many conditions.

Contra Indications

Only healthcare professionals should prescribe this wheelchair, and the wheelchair should be configured for each user. The user should have the physical and mental ability to operate the wheelchair safely. The wheelchair is not suitable for young children or users weighing less than 40kg. It is also not suitable for users over 135kg.

Reuse

The wheelchair is suitable for reuse. The wheelchair should be fully reprocessed and disinfected before reissue. A healthcare professional should configure the wheelchair to suit the new user prior to use.

2. Warnings

Checks for use

Before every use, the user or attendant should check the tyres are in good condition and inflated with sufficient tread. They should also check the brake operation. If any component is loose or a wheel or part has abnormal play or the upholstery is worn or damaged, do not use.

Outdoor Use

It is not recommended for a user with limited ability to operate the wheelchair outdoors when alone. We recommend that an attendant be present and environmental conditions are taken in to account. Additional hazards may be present if the ground is uneven and when the surface is worn and unstable, or when weather conditions cause rain, snow or ice.

Users should be particularly careful when operating on gradients such as ramps, slopes or on kerbs as this can cause instability.

4. Safety and Transportation Instructions

When using the wheelchair alone, the user should ensure the backrest is in its most upright position for maximum stability.

Prohibited Use

The wheelchair is suitable for a single occupant only and is not suitable for carrying heavy goods. Do not use the wheelchair if it is not in a good condition.

The legrests should always be used with the wheelchair.

Environment

Before use, the operating environment of the wheelchair should be considered. Always check door widths and thresholds are compatible for the wheelchair. Pay attention to nearby stairs and objects protruding from walls which could present a hazard to the user.

3. Parts Description



Carrying and Lifting

Under no circumstances should the wheelchair be lifted whilst the user is occupying the chair. The wheelchair user should exit the wheelchair and the wheelchair can be lifted using the frame. Do not lift by the legrests, armrests or other components on the wheelchair.

Using the Wheelchair as a Seat in a Motor Vehicle

Drive Medical recommends that when in transport a wheelchair user should whenever possible transfer to a vehicle seat and be restrained using the vehicle provided occupant restraint system. However, there are circumstances and situations where such a transfer may not be possible and that the IDSoft Wheelchair can be used as a seat within a vehicle.

In preparation for use as a seat in a vehicle, Drive Medical has subjected the wheelchair to the dynamic test requirements of ISO 7176 Part 19:2008 and satisfied all performance requirements.

Drive Medical recommends that the IDSoft Wheelchair should be used forward facing in the vehicle, be secured using a 4 point tie-down system and a 3 point occupant restraint used to restrain the wheelchair user.

The backrest on the wheelchair should be in the upright position and the leg rests should be lowered.

A four point wheelchair tie-down and occupant restraint systems in compliance with ISO 10542-1:2012 would be suitable. The wheelchair was successfully dynamically tested using an Unwin system.

The wheelchair occupant should sit as upright as possible when in transport, ensuring that the lap belt lays as low as possible on the pelvis to avoid harmful loading of the abdomen, and that the upper section lay midway on the shoulder of the passenger.

Posture Support Devices such as a pelvic belt or an H-Type harness should not be relied on as a restraint system when in transport.

In situations where significant deviations from an upright seated posture are presented or the addition of other medical devices are required, a full risk

assessment process should be conducted, and recorded, by all individuals involved in the transport process.

The securement points for the restraints are marked on the wheelchair using the symbol (overleaf).



LEGEND

- Wheelchair Restraints
- Occupant Restraints

Pinching Risk

There may be some pinch points when folding or unfolding the wheelchair or when handling the armrest, legrest, removing the wheels or some other accessories. Your healthcare professional should explain how to safely handle the wheelchair and its components.

Accessories and Options

There are many options available for the IDSoft including the trunk-support, abduction wedge and other devices which the healthcare professional can adapt to suit the user. Only devices and accessories approved by Drive Medical should be used.

Anti-Tippers

The wheelchair comes as standard with anti-tip wheels. They should be adjusted so the wheels are as close to the ground as possible. If the event of the wheelchair needing to mount an obstacle such as a kerb, the wheels should be retracted and then repositioned afterwards.

Positioning

Some users might be at risk from pressure ulcers developing if they remain in the wheelchair for long periods. Your healthcare professional should be able to advise on suitable equipment or alterations to reduce this risk such as the reclining backrest, trunk supports, variable seat angles or pressure relieving cushions.

Operating Precautions

Do not balance the wheelchair on two wheels.

Always lock the brakes when the user is entering or exiting the wheelchairs, or when the wheelchair is stationary.

If the user is propelling the wheelchair, then the wheelchair should be stopped using the handrims. If an attendant is propelling the wheelchair, then the wheelchair can be stopped using the cable brakes.

5. Delivery and Set Up

Before unpacking the wheelchair, check the box has not been damaged, then make sure all the accessories and options are present including this user manual and the service warranty book.

The documentation with the wheelchair should be given to the user or attendant for their reference.

6. Operation Instructions

This section describes some ways to use the wheelchair to its full potential and help overcome everyday obstacles.



Before Using the Wheelchair read the safety notices below:

- Use slow speeds on gradients. Do not exceed the maximum gradient stated.
- The wheelchair is only suitable for single occupancy.
- Keep your feet on the footplates when moving. Do not stand on the footplates.
- Do not use escalators.
- Do not reverse down a gradient
- Maintain proper balance at all times. Users should not move their centre of gravity out of the seating area.
- Do not reach for items further than your arm will extend.
- Be aware of hazards in your environment, such as narrow doorways, steps, household appliances, children's toys, etc.
- We recommend you consult your healthcare professional for advice about transferring to and from the wheelchair. The parking brakes should always be applied when transferring.
- Ensure that fingers and objects do not get caught in the spokes of the rear wheels.

Seat Belt:

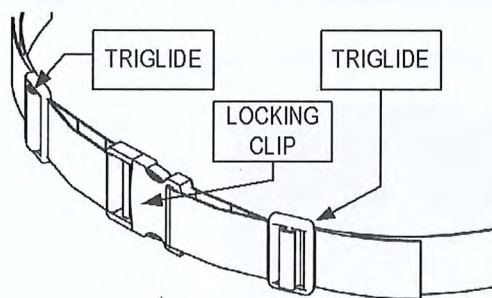
A lap belt is to restrain the wheelchair occupant during normal use. The wheelchair is suitable for use as a seat in the motor vehicle, however the lap belt should not be used. Please refer to the section of using the wheelchair as a seat in a motor vehicle.

The lap belt should be adjusted to suit each user. The length of the belt can be adjusted by the tri-glides (as shown in the diagram overleaf). The lap belt has a luggage-style large locking clip to fasten and unfasten the lap belt. To fasten the lap belt, push the clip in to the receiver until it locks in the position (which can be heard by an audible click).

When fastened, the lap belt should be tight around the user's pelvis without causing discomfort or undue pressure. This will help keep the user's hips and pelvis towards the back of the wheelchair. Use the tri-glides (shown) to adjust the length of the lap belt. The length of the lap belt should be checked each time the belt is used.

There is a risk of suffocation from users 'submarining' (where they slide down the chair until the lap belt is around the neck area). To reduce the risk of this, ensure that the lap belt is used under supervision and is used as instructed.

The lap belt may not be suitable for all users of wheelchairs. Seek advice from your healthcare professional before using the lap belt.



For Maximum Stability

The wheelchair is designed to be stable during normal daily activities, provided that the user's centre of gravity is not moved outside of the footprint of the frame. When propelling the wheelchair, the backrest should be upright and it is recommended that user supports should as posture belts are used.

Using the Wheelchair on a Gradient

Lean forward when self propelling up a gradient.

When self propelling down a gradient, the user should keep their hands on handrim to control speed lean backwards.

Be aware that the configuration of the wheelchair or the condition of the gradient's surface can adversely affect the wheelchair's stability.



Never go up or down a gradient diagonally. Never exceed the maximum angle for stability and use anti-tip wheels.

Negotiating a Kerb or Obstacle with the Wheelchair

An attendant can use the stepper tube to raise the front castors (when mounting a kerb for example). To use, push down on the stepper tube with a foot. Do not raise the front castors by pushing down on the push handles as this could result in damage to the wheelchair.

To mount a kerb. Approach the kerb head on. Then the attendant uses the stepper tube to raise the front castors (as shown below), and lowers the front castors on the raised kerb. Finally the attendant should push the wheelchair forward, lifting it up slightly to mount the kerb if required.



To go down a kerb. Line up the front castors with the edge of the kerb. The attendant uses the stepper tube to raise the front castors and tip the user slightly back. Keeping the castors raised, slowly lower the wheelchair down the kerb.

Transferring

The user can laterally transfer without any aid, provided he/she has the necessary muscular strength.

Please contact your healthcare professional for instruction on how to do this.

Headrest



To install or height adjust the headrest, pull the black plunger and position the headrest bracket in to the slot on top of the backrest.



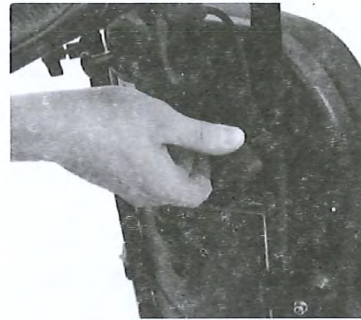
To reposition the headrest, turn the two knobs anticlockwise to loosen. Reposition the headrest to the required position and then turn the knobs clockwise to secure the headrest in position.

Backrest and Seat Angle Adjustment



Whilst the user is in the chair, squeeze the shorter lever on the push handles whilst tilting the seat and/or backrest. Use the lever on the right hand side to tilt the backrest, and the left hand lever to tilt the seat.

Push Handle Height Adjustment

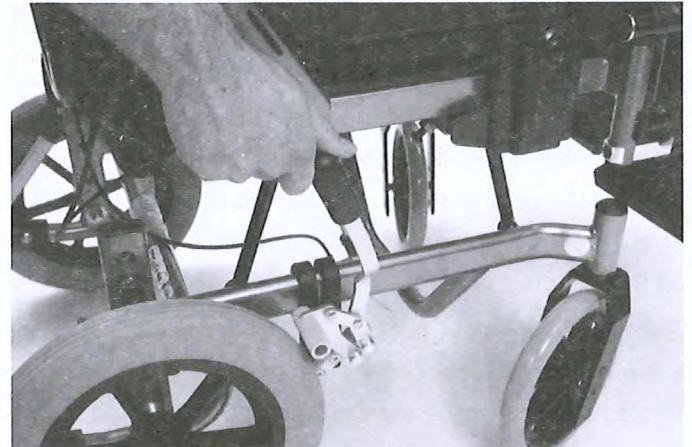


Loosen the tightening handle by turning anticlockwise (as shown left). Position the push handle at the required position and then retighten the handle.

Brake Operation

Squeeze the two longer levers on the push handles to operate the cable brakes. Squeeze both levers together to slow the wheelchair during motion and then release the levers to release the brakes.

When stationary, always apply the parking brakes as shown below.



Armrest Height Adjustment and Removal



Press the button on the armrest receiver (shown below) and reposition the armrest to the required height, and then release the button.

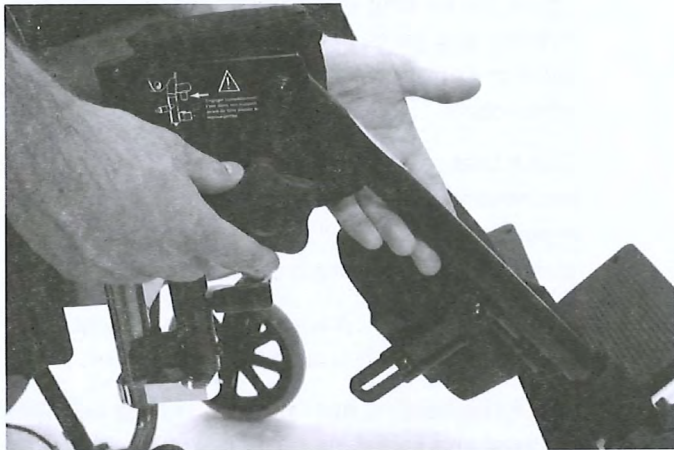
To remove the armrest, press the button and lift the armrest up until it disconnects from the wheelchair.

Legrest Operation



Pull up on the lever on the legrest (shown) to allow the legrest to swing out.

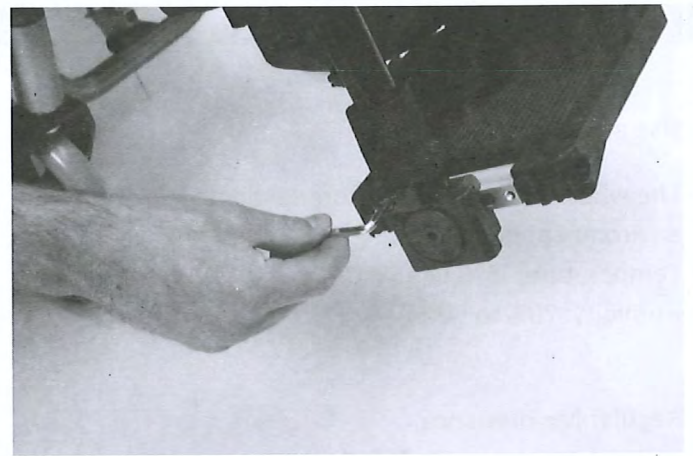
To remove the legrest, swing out the legrest approximately 45° then lift up the legrest.



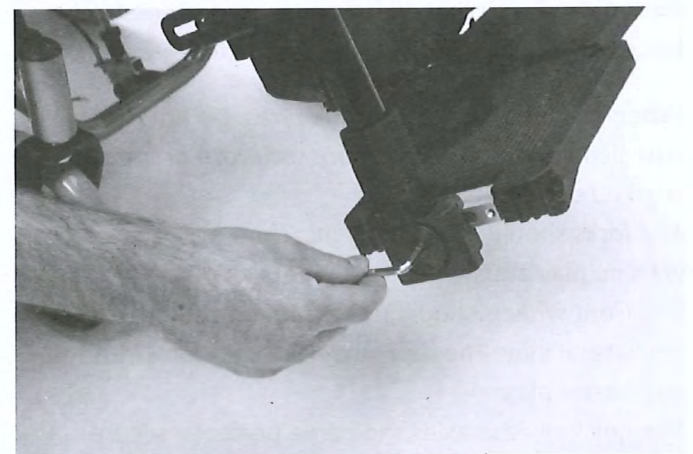
To adjust the angle of the legrest, turn the knob (shown) anticlockwise to slacken. Reposition the leg rest to the required angle and then turn the knob clockwise to tighten and secure.



Slacken the screw (shown) to allow the calf pad to reposition. When the pad is at the required position, retighten the screw.



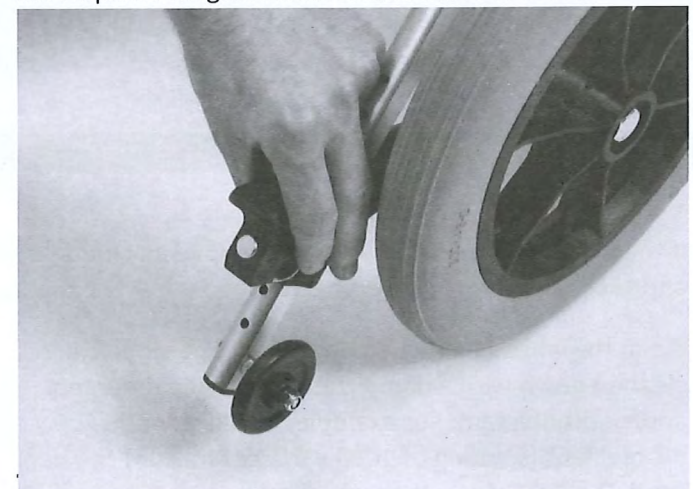
To alter the height of the footplate, slacken off the bolt shown and reposition the footplate to the required height. Retighten the screw to secure in place.



To alter the angle of the footplate, slacken off the bolt shown and reposition the footplate to the required angle. Retighten the screw to secure in place.

Anti-Tip Wheels

Pull the round disc (shown) and reposition the wheel to the required height. Then release the round disc.



7. Regular Maintenance

Use and Storage Conditions

The wheelchair should be stored indoors in a dry environment not exceeding the criteria below:

Temperature: -5°C to +50°C

Humidity: 20% to 90%

Regular Maintenance

Brakes. Check the brake performance when applied.

Pads. Check the tension and general condition of the backrest and seat pads. They should not be loose, torn or incorrectly attached.

Fasteners. Check that all fasteners are fastened tight but not deforming the tubing or impeding moving parts.

Wheels: Check the wear on the tyres. Do not use the wheelchair if the tyre tread are too worn or is cut, cracked or notched.

The forks should be securely attached to the wheelchair with no play and no loose fasteners.

The front wheels should freely turn and swivel without any lateral play. The rear wheels should turn without any lateral play.

The quick release axles should be perfectly secure without any lateral play.

If pneumatic tyres are fitted, the tyre pressure should correspond to the recommendation stated on the side of the tyre wall.

Handrims. Check the handrims for damage to the finish, roughness and fasteners.

Armrests. Check the condition of the upholstery. The armrest should be securely attached to the frame without any lateral play.

8. Cleaning and Servicing

If the wheelchair is used outdoors, remove any mud and excess water from the wheelchair.

Clean the wheelchair when necessary. The wheelchair is cleaned down with a damp cloth using mild detergent and/or disinfectant. For example, a mild chloride disinfectant (solution of 1000 parts per million) can be used. Excess water is then removed from the device

using a towel or a compressed air tool. The device is then placed in a suitable environment to fully dry.

Regular Servicing

The wheelchair should be maintained and serviced by a competent person. No specialist tools are required. The service items are listed below:

- Check all the fasteners and hinge pins. Replace any fasteners that appear worn and corroded. Locking nuts with worn nylon should be replaced.
- Check the frame for damage to the welds, twisted frame or damaged flaking paint.
- Check the performance of the brakes. The brakes should slow down and/or stop the wheelchair with ease. If they do not apply sufficient braking to control the wheelchair or are too difficult to apply, then they will require adjusting.
- Check the locking and adjustment mechanisms. Replace any parts that are non-functioning, worn or compromise the safety of the wheelchair.
- Check that rear wheels do not have sideways movement exceeding 2cm (3/4"). Retighten or replace any spokes which are slack and replace plastic rims if they are cracked or damaged.
- Check the operation and security of any quick release pins which secure the rear wheels.
- Check the bearing operation and check bearings for axial and radial play. The bearings should allow the wheels to move freely without any stopping.
- Replace any handrims which have deep scratches, damage to their finish or where brackets are bent and/or broken.
- Check tyres for cuts, cracks, wear, or insufficient tread. Replace the tyres if any faults are found.
- Check the back, seat and armrest upholstery for signs of wear, tear, holes or other damage. Replace the parts where any problems are found. Check the condition of any hook-and-loop straps.
- Check the footrests for signs or excessive wear, cracks or other damage.
- After adjusting or replacing parts check the function of the wheels, armrests, brakes, legrests and wheelchair stability.

9. Warranty

The IDSoft wheelchair is guaranteed to be free of defects in materials and workmanship for two years from date of purchase.

This wheelchair was built to exacting standards and was carefully inspected prior to shipment. This warranty is an expression of our confidence in the materials and workmanship of our products and our assurance to the customer.

In the event of a defect covered by this warranty, we will at our option supply parts or replace the device.

This warranty does not cover device failure due to owner misuse or negligence, normal wear and tear or accidental damage.

The warranty does not extend to non-durable components, such as rubber accessories, castors and grips, which are subject to normal wear and need periodic replacement.

If you have any queries or require full warranty condition, please contact your drive stockist.

This does not affect your statutory rights.

Manufactured by:

Drive Medical Ltd,

Ainley's Industrial Estate, Elland, GB HX5 9JP

Spare Parts Information

Please visit www.drivemedical.co.uk for information about the ID Soft including downloadable spare parts information.

10. Specification

The IDSoft is a fully configurable and adjustable wheelchair and is available in a number of base models. As such, weights and dimensions will be unique to each chair.

The IDSoft wheelchair has a maximum user weight of 135kg (21 stone).

11. Installation and Adjustments for Comfort

The following adjustments can be made by a competent technician to improve the comfort and positioning of the user:

Installation of the Backrest

Remove the pin and the axle (photo 2), raise the backrest in vertical position (photo 1), and then put the pin and axle back. Move apart the handles (photo 3) until the groove located along the handle tubes is facing the tightening knob. Adjust the handles to the desired height, and then tighten both knobs.



Photo 1

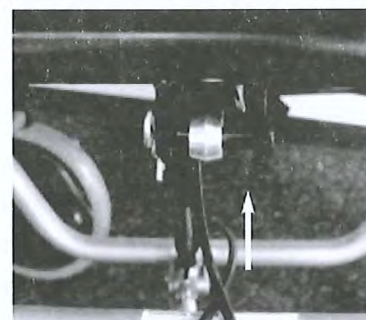


Photo 2



Photo 3

Floor-to-Seat Height Adjustment

The floor-to-seat height and seat angle can be adjusted by changing the rear wheel axle receiver position on the rear of the chair and the front axle position.

Adjusting the Brakes

Depending on the rear wheel diameter and on the tyre wear, it may be necessary to adjust the brakes. Slightly unscrew both screws attaching the clamp; slide the brake along the frame, and then securely tighten both screws.



Caution: Check the brake performance before commissioning the wheelchair again.

Installing the Backrest and Seat Pads

The seat and backrest pads of the seat are attached with hook-and-loop tape. Pull the pad away from the base to remove. To install the pads, simply place them in the required position and push against the pad so that the hook-and-loop tape secures the pads.

Third Party Seating Systems

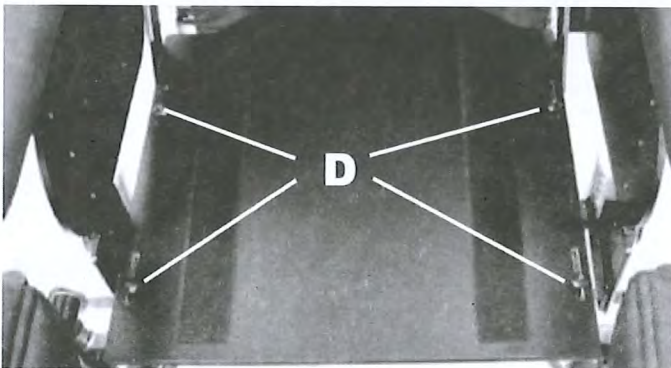
The seating on the ID Soft can be fully removed and a third-party seating system installed.



Caution: Installing a third-party seating system may affect the product performance and safety of the product, in particular to the performance of the wheelchair as a seat in a motor vehicle. A full risk analysis should be conducted before a third-party system is installed. Drive Medical accepts no responsibility for damage or injury as a result of a third-party accessory being installed.

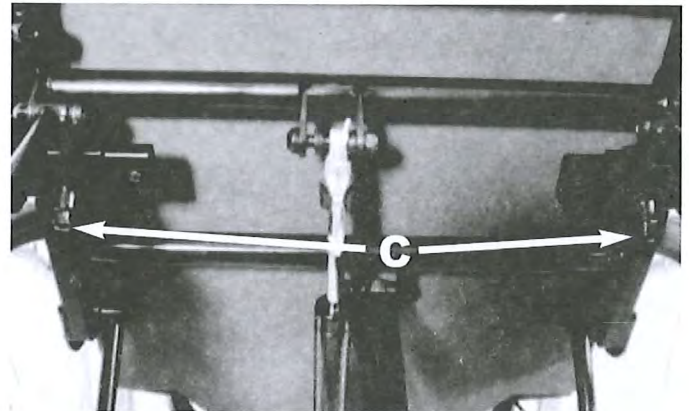
Seat Depth Adjustment

Slightly unscrew the 4 screws (**D**) of the seating plate, position the seat to desired depth (between 0 and + 50 mm). Retighten the 4 screws.



Seat Width Adjustment

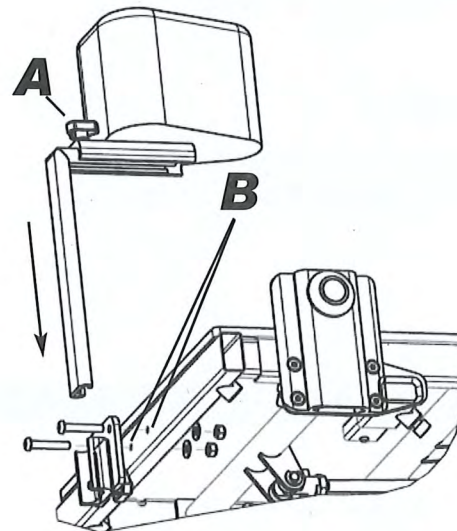
Slightly unscrew the both screws (**C**) on the underside of the seat. Move the supports inwards or outwards until the desired width is reached and then retighten the screws.



Installation of Abduction Wedge (Optional)

Remove both **B** caps at the front of the seat. Mount the assembly as shown in the diagram.

To adjust the wedge depth, unscrew the thumb wheel (**A**), position the wedge through sliding it, and then retighten the thumb wheel (**A**).



Installation of Trunk Support (Optional)

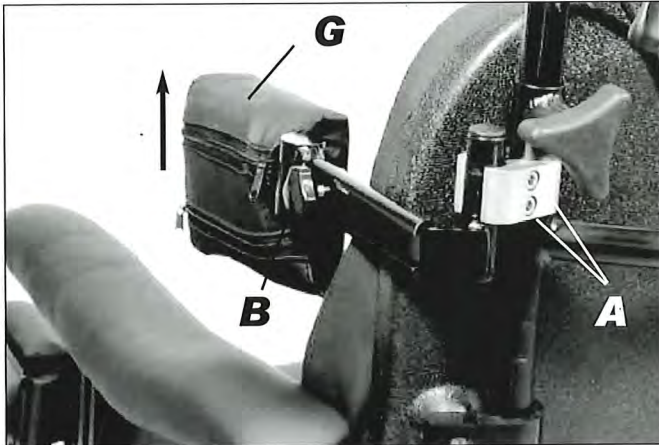
Assembling: Slightly unscrew the screws (**A**), position the clamp onto the backrest support, adjust the height, and then retighten the screws (**A**).

Height adjustment:

After adjusting the backrest to the desired height, adjust the trunk-support height using the screws (**A**), and then securely tighten them (5-mm hexagonal key). It is possible to complete the height-adjustment by changing the pad position on its support. To this end, unscrew both screws (**E**), move the pad on (**F**), and then securely retighten both screws.

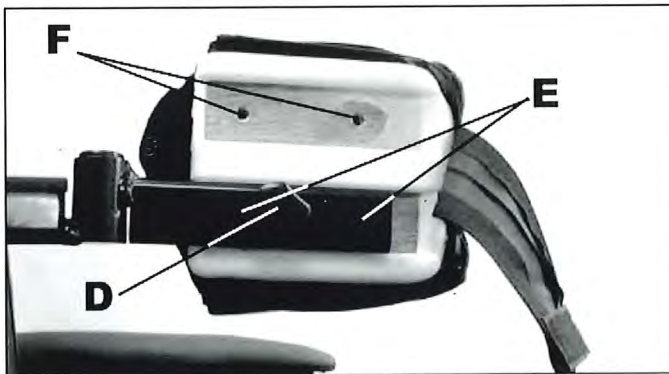
Depth adjustment:

Use knob **B** to adjust the trunk-support depth. If necessary, use the knob (**D**) to tune the adjustment (knob **D** is located under the trunk-support cover. Pull the fastening to access it).



Angle adjustment and retraction:

Pull the pad upwards (**G**) giving it the desired angle. Release the pad.



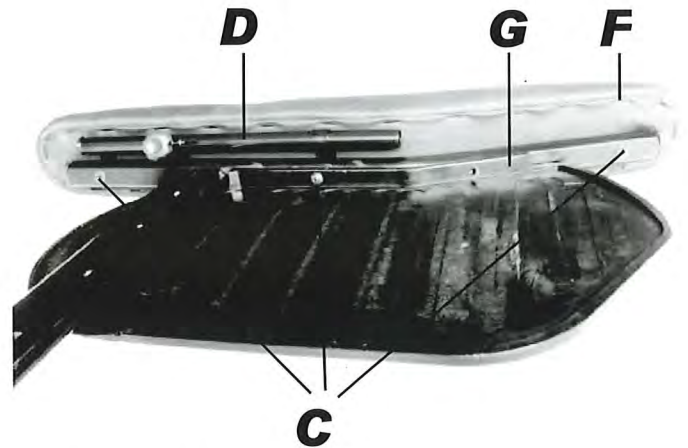
Depth adjustment:

Use knob **B** to adjust the trunk-support depth. If necessary, use the knob (**D**) to tune the adjustment (knob **D** is located under the trunk-support cover. Pull the fastening to access it).

Installation of the Tray (Optional)

Support Assembly The supports are already assembled when the tray is purchased with the wheelchair. If the tray purchased separately then follow the procedure below.

Unscrew the 3 screws (C) and insert the tray support (D) in between the armpad (F) and the support (G).

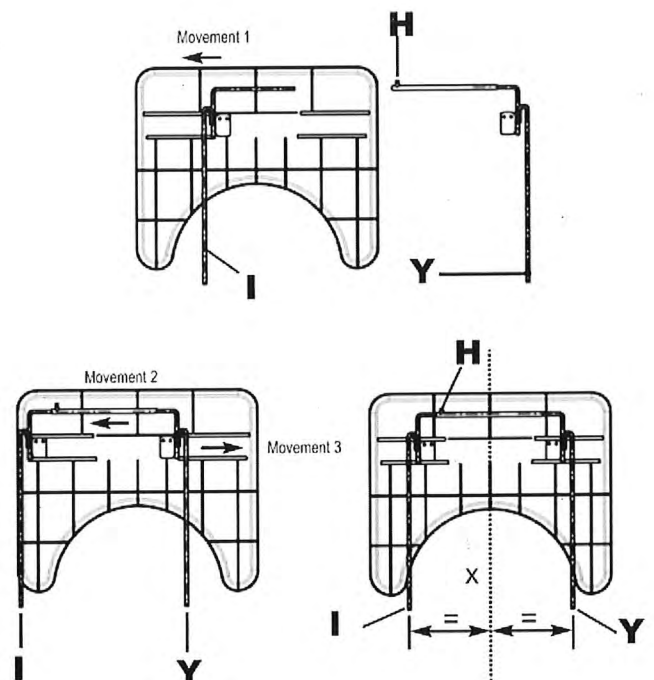


Tray Assembly

(Movement 1) After slightly unscrewing **H** and separating the rods **I** and **Y** engage and slide **I** into the tray grooves until the end.

(Movement 2) Engage the rod **Y** and **I**, and then slide in to tray grooves **(Movement 3)**

Adjust the spacing between **I** and **Y** so that they fit in to the tray supports mounted on the wheelchair and the tray sits centrally in the wheelchair.



The Team at Drive Medical develops its products to give our customers the freedom to live independently. This encompasses their daily home life and provides them with the opportunity to enjoy an outing with family and friends. Our goal is to develop a range that will provide individuals with a chance to enjoy everyday life.

Dealer Stamp

drive[™]

Drive Medical Limited
Ainleys Industrial Estate, Elland
West Yorkshire, HX59JP

Tel: +44 (0) 1422 314 488

Fax: +44 (0) 1422 314 489

Email: info@drivemedical.co.uk

www.drivemedical.co.uk