



Days® Deluxe Rollator
HCT-9137D



Manufactured for
Performance Health International Ltd.

Nunn Brook Road, Huthwaite,
Sutton-in-Ashfield, Nottinghamshire,
NG17 2HU, UK.

UK:

Tel: 03448 730 035

Fax: 03448 730 100

www.performancehealth.co.uk

International:

Tel: +44 1623 448 706

Fax: +44 1623 448 784

Performance Health Supply, Inc.

28100 Torch Parkway Suite 700,
Warrenville, IL 60555-3938, USA.

Tel: 1-800-323-5547

Telefax: 1-800-547-4333

Performance Health ANZ

Unit 3, 3 Basalt Road,
Pemulwuy NSW, Australia 2145.

Tel: 1300 473 422

Fax: 1300 766 473

Performance Health France

Zone Industrielle de Montjoly,
11 Avenue de l'Industrie - CS 40712
08013 Charleville-Mézières Cedex, France.

Tel: 03 24 52 61 15

Fax: 03 24 52 90 34





TECHNICAL SPECIFICATIONS

Width Inside Handgrips: 460mm

Overall Dimensions

- Width: 650mm
- Depth: 705mm (without carry bag)
750mm (with carry bag)

Adjustable Hande Height: 850 - 970mm

Seat Dimensions

- Height: 540mm
- Area: 460mm x 250mm

Wheels - PU Tyre, Black

- Front Diametre: 10"
- Rear Diametre: 8"

Hand Grip - TPR, black
Crutch Holder included

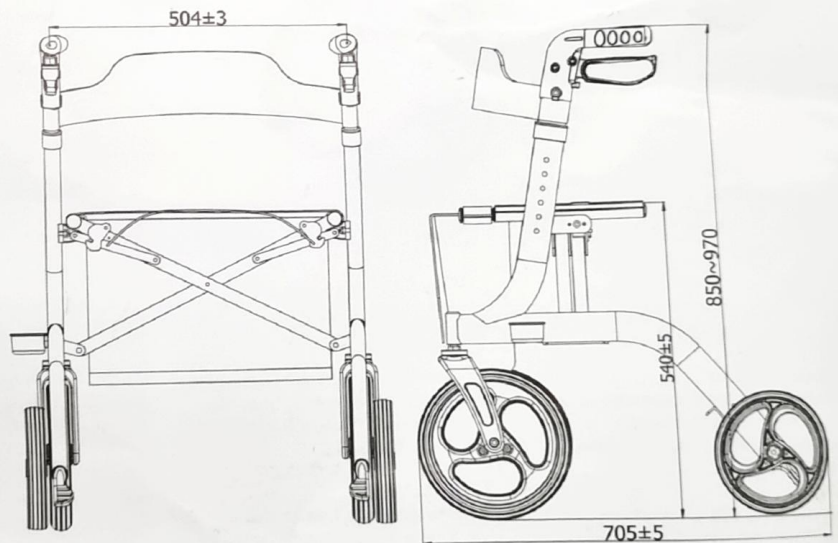
Packing Dimension: 730 x 280 x 870mm

Net Weight: 6.9kg

Maximum User Weight: 136kg (300lbs)

Product Code

- HCT-9137DR: Days Deluxe Rollator, Red
- HCT-9137DB: Days Deluxe Rollator, Blue



ASSEMBLY

Figure 1. Rollator arrives in carton folded.

Figure 2. UNFOLD THE ROLLATOR

- With one hand on each Rollator Handle, pull outward to spread Rollator apart.
- Press downward on side Seat Rails until Rollator is fully opened and Seat is fully extended.

Figure 3. ATTACH CARRY BAG

- Slide the loops on each side of Carry Bag onto Seat Rails protruding from front of seat.

Figure 4. ADJUSTING HANDLE HEIGHT

- Depress the Height Adjustment Button on the left side Frame of Rollator.
- Pull up or push down on Rollator Handle to reach desired height. Release Height Adjustment Button into Height Adjustment Notch for desired height. Listen for a click to confirm button is fully engaged.
- Repeat on right side Frame of Rollator.
- Be sure both left and right sides are secured in the same Height Adjustment Notch.

Figure 5. SITTING

- Position Rollator on a solid, even surface and push downward on Brake Levers to lock in place. Sit straight up and do not lean forward or backward.

Figure 6. FOLDING THE ROLLATOR

- Remove Carry Bag.
- Pull Seat Handle upward.
- Push Rollator Handles together.



FIGURE 1



FIGURE 2



FIGURE 3

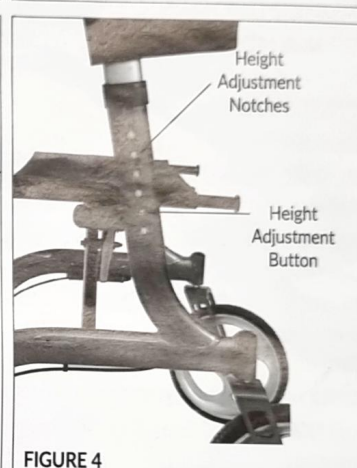


FIGURE 4



FIGURE 5



FIGURE 6

BRAKING/LOCKING

Figure 7. TO STOP ROLLATOR WHILE MOVING

- Pull Brake Levers on both handles upward.

Figure 8. TO LOCK ROLLATOR IN PLACE

- Push downward on Brake Levers on both handles.
- To release brake lock, pull Brake Levers upward.

Figure 9. BRAKE ADJUSTMENT

- To adjust brake strength, press Brake Adjustment Screw downward and then turn left or right to achieve desired tightness.



PRECAUTIONS

ONLY FOR USE AS A WALKING AID.

Maximum User Weight Capacity: 136kg (300lbs)

DO NOT MOVE ROLLATOR WHILE SEATED.

Rollator is not to be used as a transportation device.

ONLY to be used on even, solid surfaces.

BE SURE Rollator is fully opened and seat is fully extended when in use.

BE SURE Handle Height Adjustment Buttons are positioned at equal heights on both sides of Rollator. Test Rollator for stability before applying full weight to Rollator Handles.

ALWAYS lock Brake Levers before sitting and do not use seat when Rollator is on an incline or uneven ground.

BE SURE to test Brake Levers before operating Rollator. When wheels are locked, lock bar on rear wheels should prevent wheels from turning. When locks are released, the wheels should turn freely.

ONLY use Carry Bag to transport objects.

DO NOT overload Carry Bag. Maximum weight capacity: 5kg (11lbs)

BE SURE to regularly check screws and fasteners and retighten if necessary.

DO NOT expose Rollator to temperatures above 40°C (104°F) for an extended period, as this can cause the parts to overheat and burn the user.

CLEANING & MAINTENANCE

Proper care and maintenance is important in order to keep Days Deluxe Rollator in good working condition. If the Rollator exhibits tears or is worn in anyway, do not use, as it may not support your body weight. Clean regularly by hand with a damp cloth. Do not use harsh detergents.

LIMITED PRODUCT WARRANTY

Performance Health warrants that all products shall be free from manufacturing defects for a period of one year from the date of shipment. OTHER THAN THE FOREGOING WARRANTY, PERFORMANCE HEALTH MAKES NO REPRESENTATION OR WARRANTY OF ANY KIND, EXPRESS OR IMPLIED, AS TO MERCHANTABILITY, FITNESS FOR A PARTICULAR PURPOSE OR ANY OTHER MATTER RELATING TO THE PRODUCT. Customer must notify Performance Health of any manufacturing defect within seven working days of receipt of invoice. Upon a determination by Performance Health that the product is defective, Performance Health's sole and exclusive obligation shall be to provide customer with a replacement product or a full refund of the purchase price, at the sole discretion of Performance Health. In no event shall Performance Health be liable for any other costs or expenses including lost profits or direct, indirect, consequential, incidental or punitive damages. The warranty set forth herein shall govern all purchases, notwithstanding any inconsistent terms and conditions of customer's purchase order.