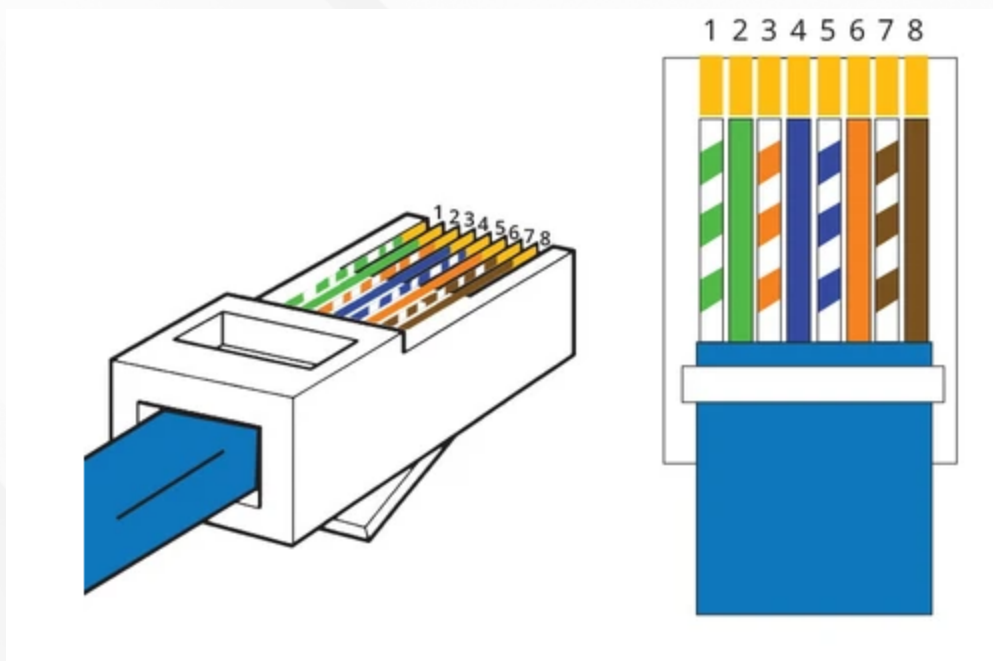


LUXPOWER Connection with Lithium Batteries SA (LBSA) Smart Battery

On Luxpower inverter Select Lithium Battery - 06 Luxpower

Below is communication pinout between Luxpower CAN and LBSA CAN



Luxpower CAN
Pin 3 CANL
Pin 4 CANH

LBSA Battery
Pin 5 CANL
Pin 4 CANH