



1. Components

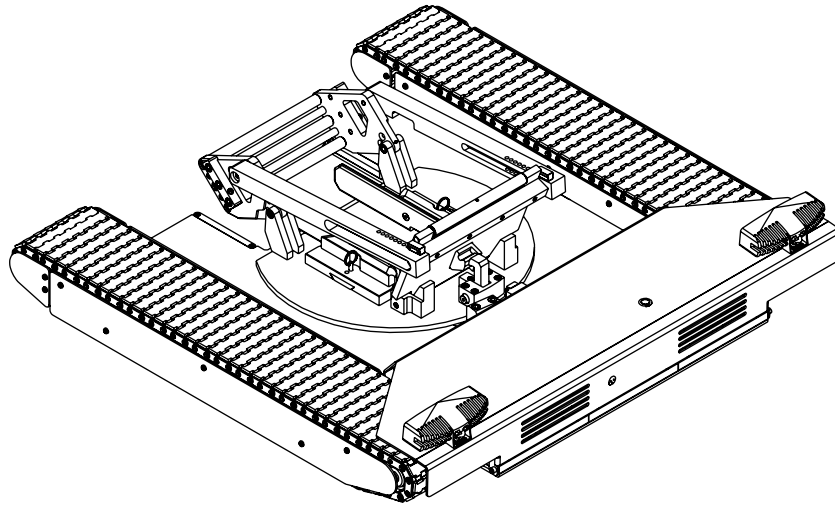
2. Installation Guide

2-1. Old Track Removal

2-2. New Track Installation

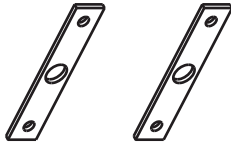
2-3. Warranty

1. Components



Tug

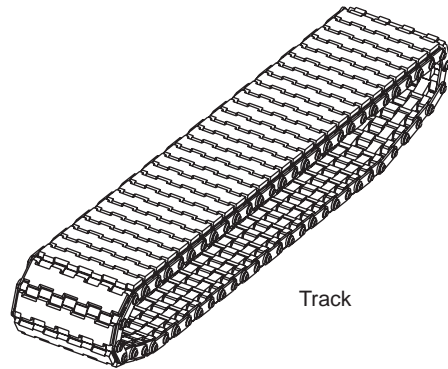
Install Tools
Part # 23194



Retainer Clip Tool
Part # 23193



Track Installation Tools

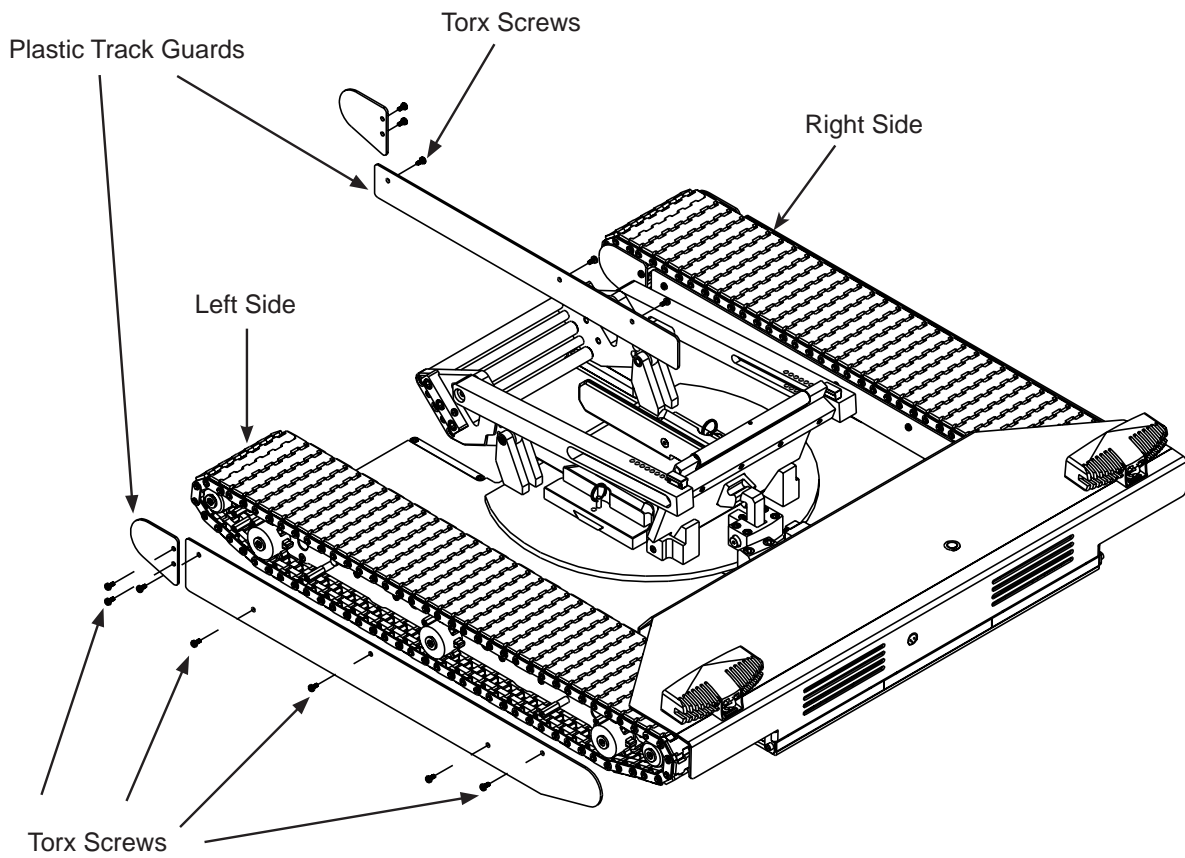


Track


2. Installation Guide


2-1. Old Track Removal

1. Remove inside and outside plastic track guards by removing several Torx Screws.

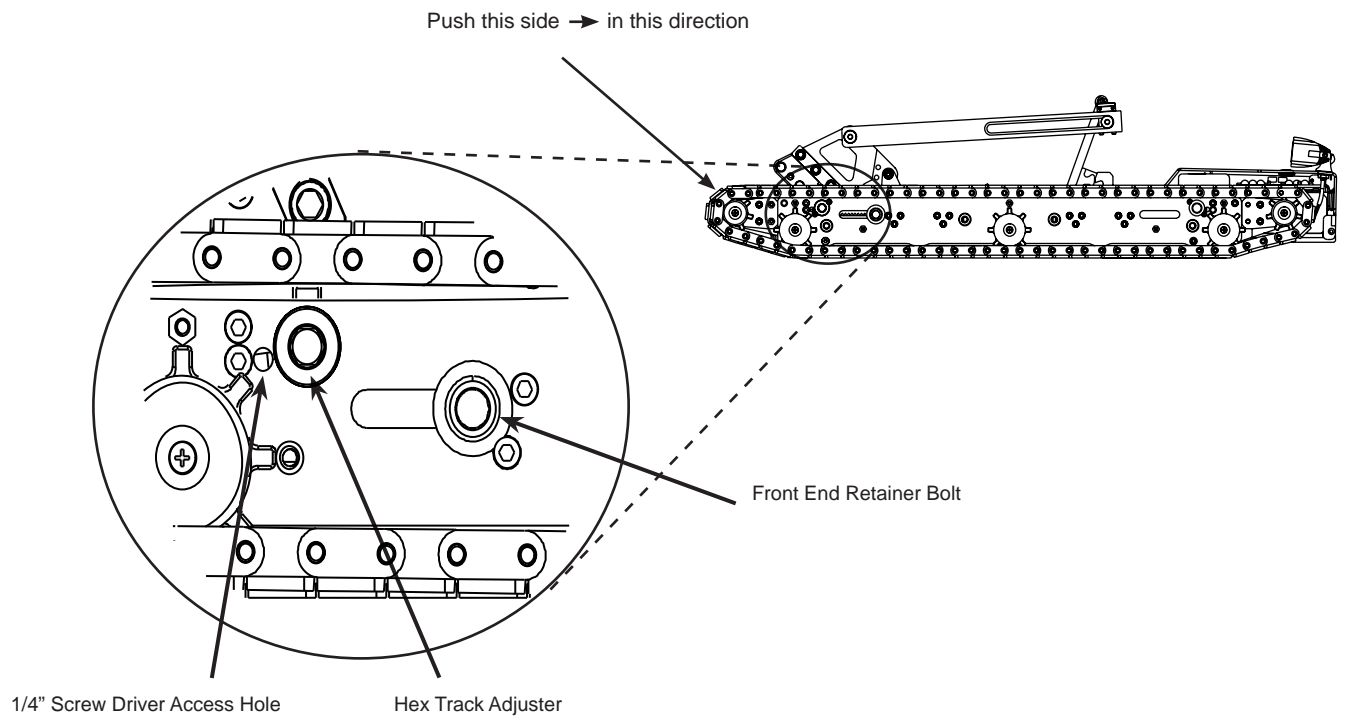


2. Use a 7/16" hex socket and a ratchet to loosen the front end retainer bolt.
3. Use the socket to slightly rotate the hex track adjuster to relieve tension on the internal ratchet mechanism.

For the **left side** track rotate the hex track adjuster Clockwise. 

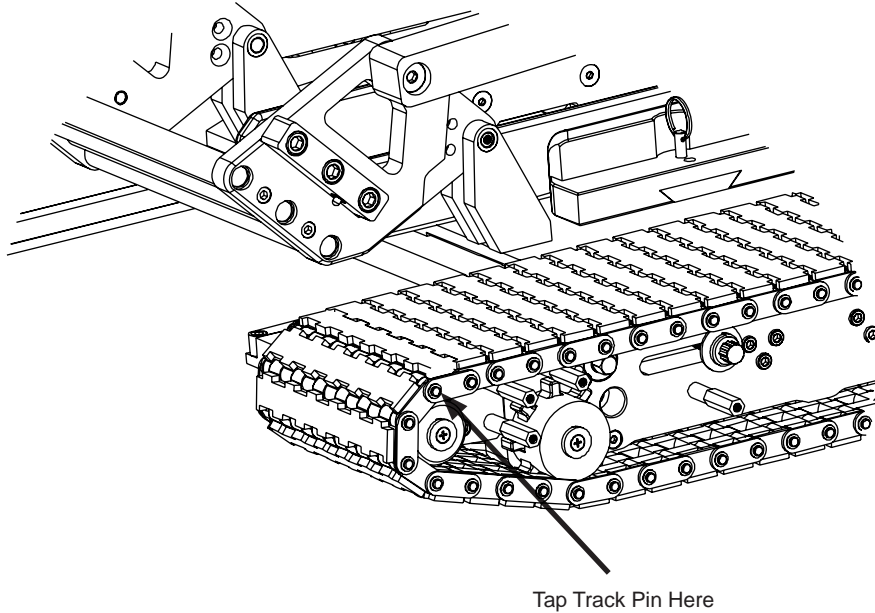
For the **right side** track rotate the hex track adjuster Counter Clockwise. 

4. While relieving the tension insert a screw driver into the access hole to release the internal locking mechanism. This should allow the track to become slack. If needed, hold the screw driver in place and push the track inward to allow for more slack. Remove the screw driver once the track is completely retracted.

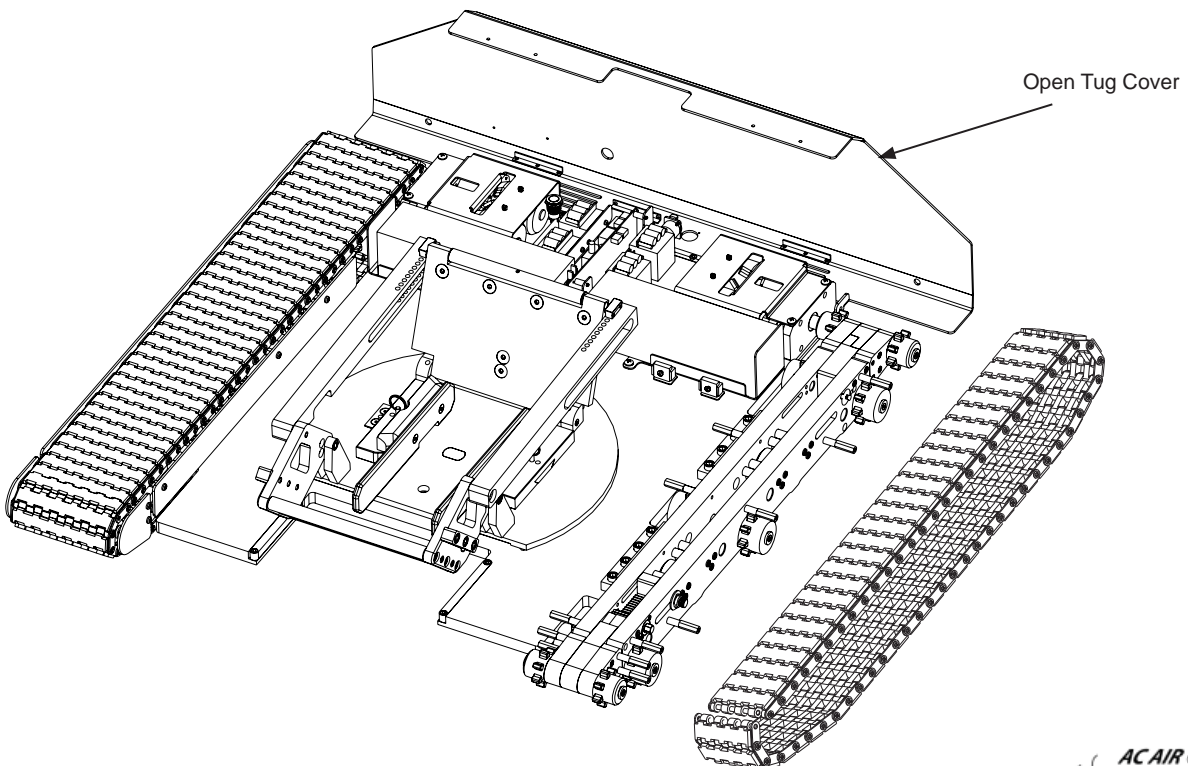


5. Remove a Rotoclip from one of the track pins and remove the track pin from the track.

Trick: Tap the end of the track pin using a hammer to drive the pin through the Rotoclip. The Rotoclip will not be reusable after removal.

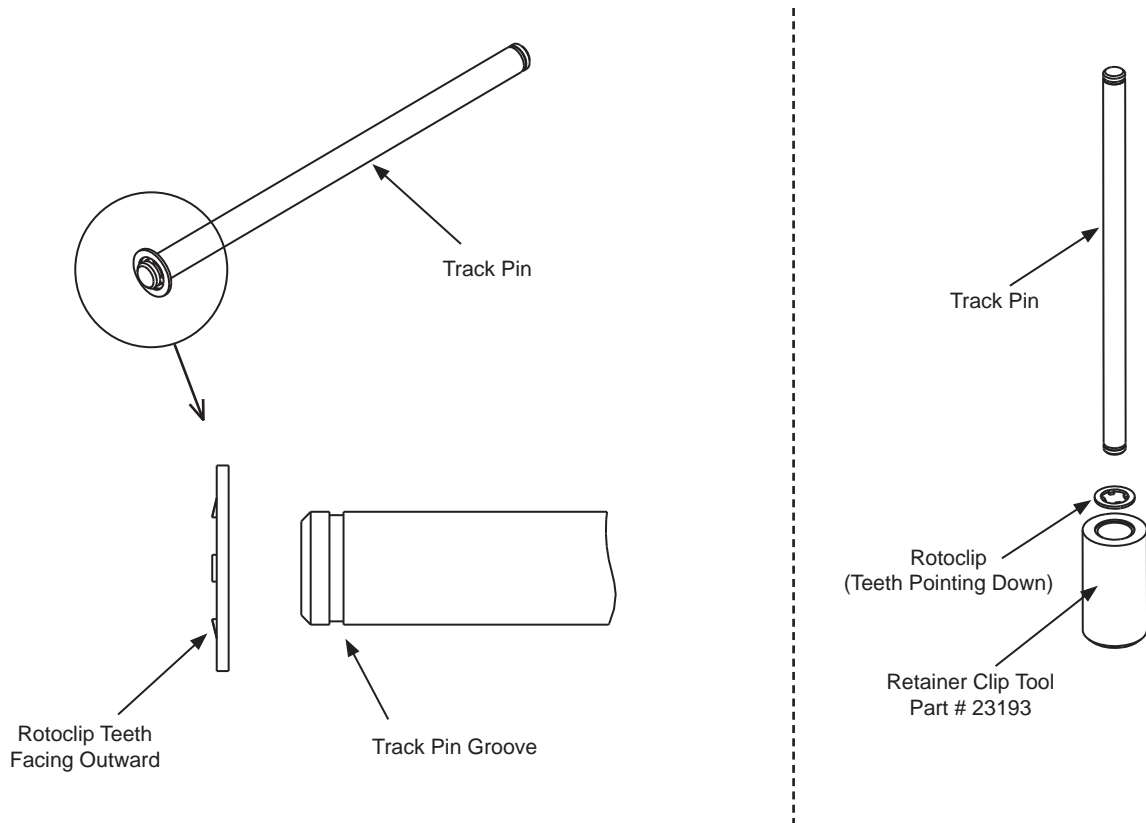


6. Open the tug cover and remove the track from the tug.

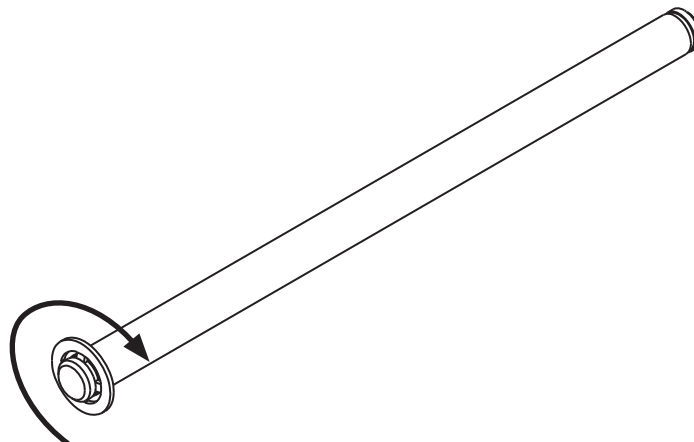


2-1. New Track Installation

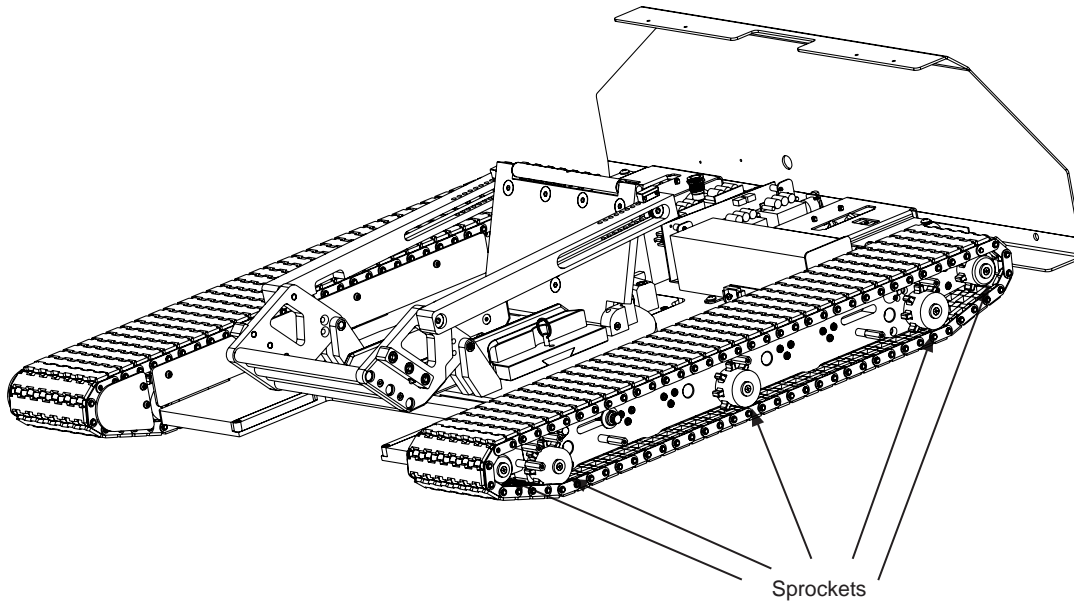
1. Assemble one Rotoclip into the track pin groove. Make sure Rotoclip teeth are facing the outside end of the track pin. Use the clip install tool to hold the Rotoclip clip while inserting the track pin into the clip.



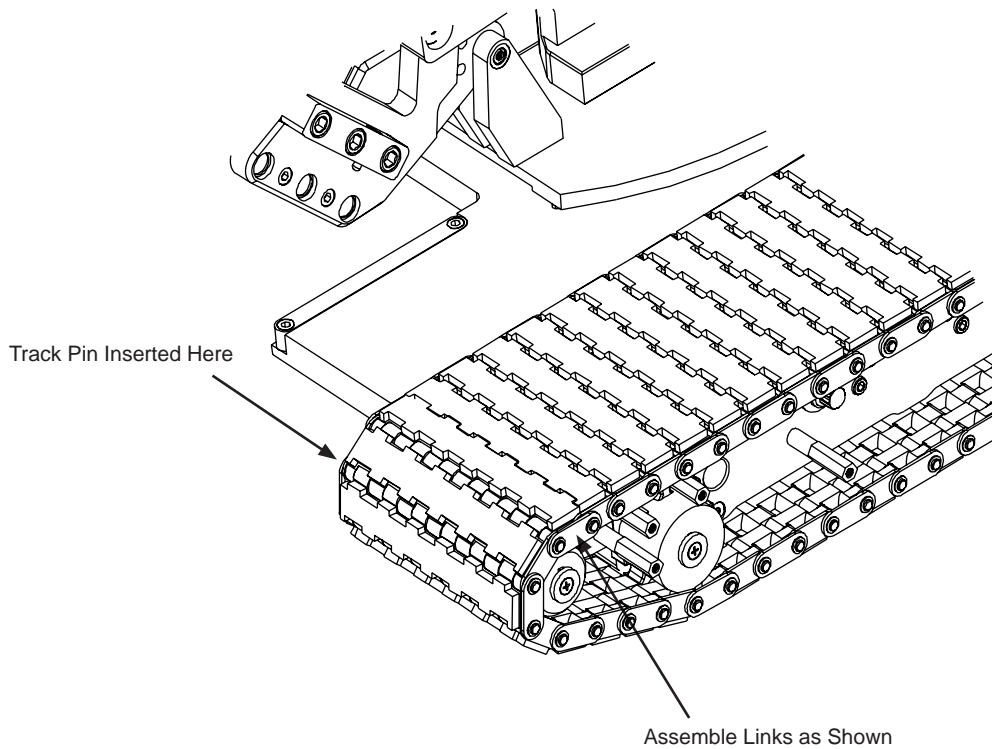
2. When Rotoclip is properly installed in the track pin groove it should rotate freely inside of the groove.



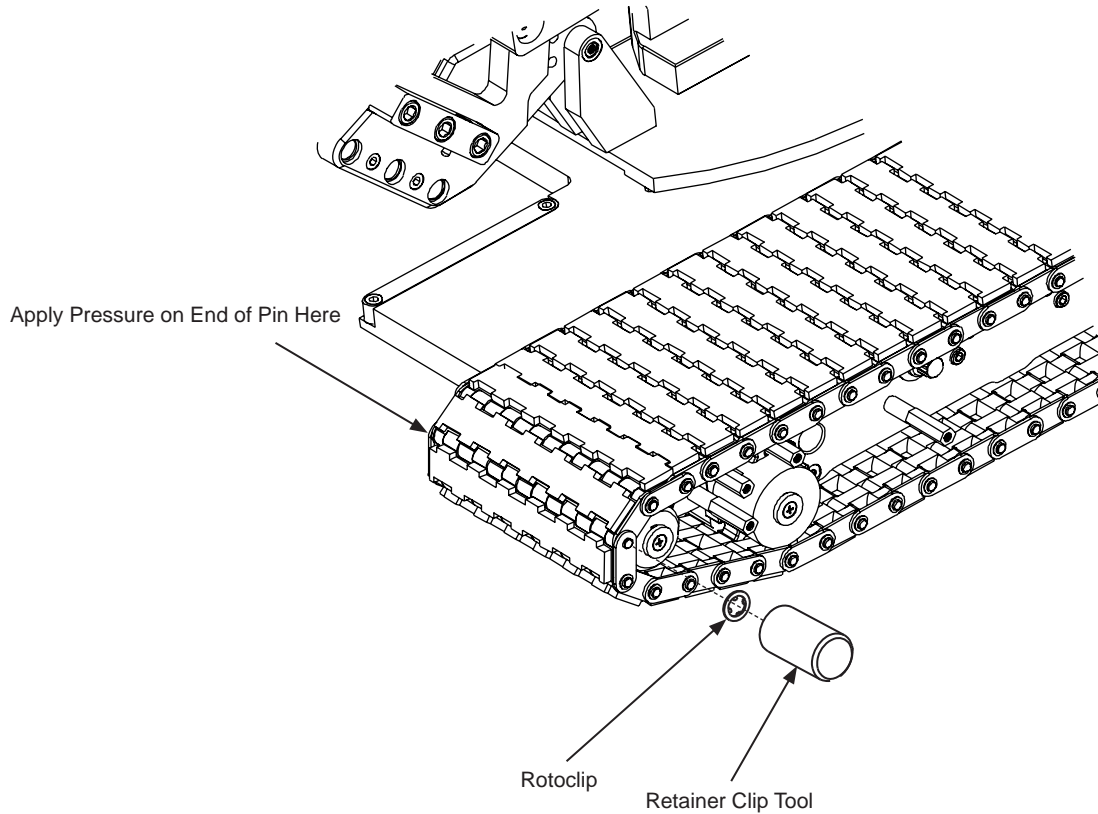
3. Install track on the track rail and align the teeth of 5 sprockets into the pockets inside the track.



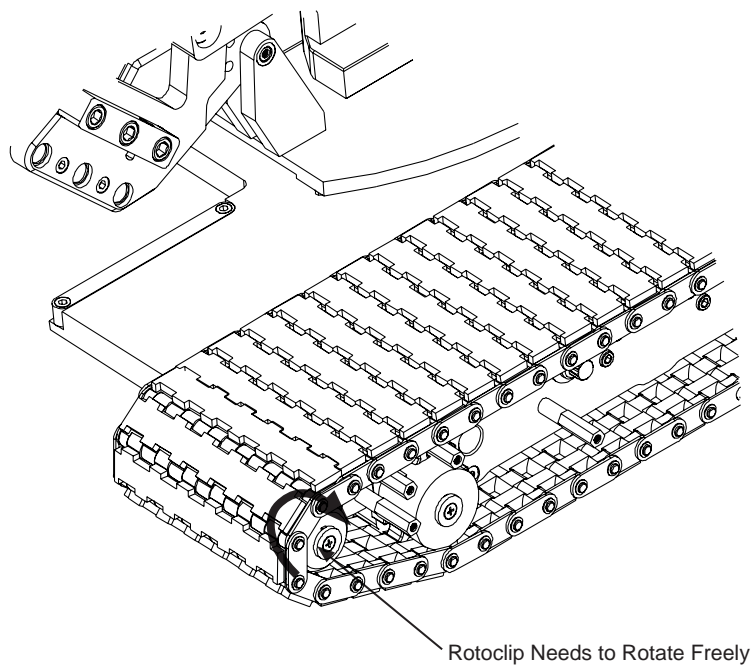
4. Insert the track pin with Rotoclip into the track to connect the loose ends.
Note 1: make sure to get the chain links assembled together with the track pin.
Note 2: If the track is too tight see step X at the end of these instructions.



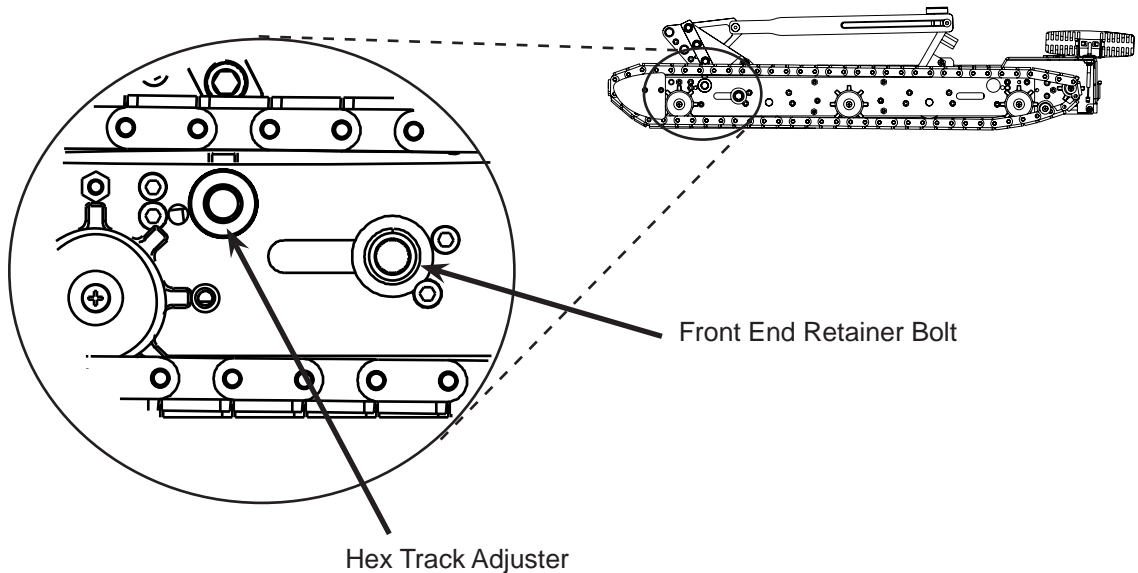
5. Insert a Rotoclip into the clip tool and then press the Rotoclip on the end of the track pin. Make sure the teeth on the rotoclip are facing into the clip tool. You will need to apply pressure on the other end of the pin to keep it from pushing out of the track



6. Check to make sure the Rotoclip turns freely in the track pin groove. It might be necessary to tap it on further using the clip tool.



7. Use a 7/16" hex socket and a ratchet to loosen the front end retainer bolt.



8. Next use the 7/16" socket and ratchet to rotate the hex track adjuster.

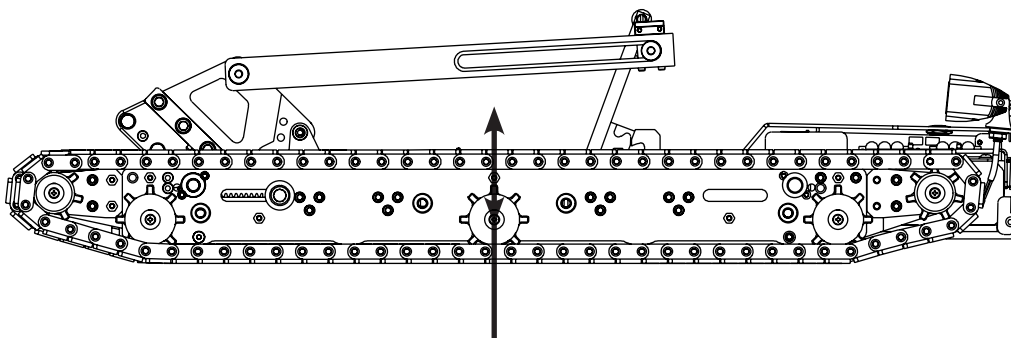
For the **left side** track rotate the hex track adjuster Clockwise.



For the **right side** track rotate the hex track adjuster Counter Clockwise.



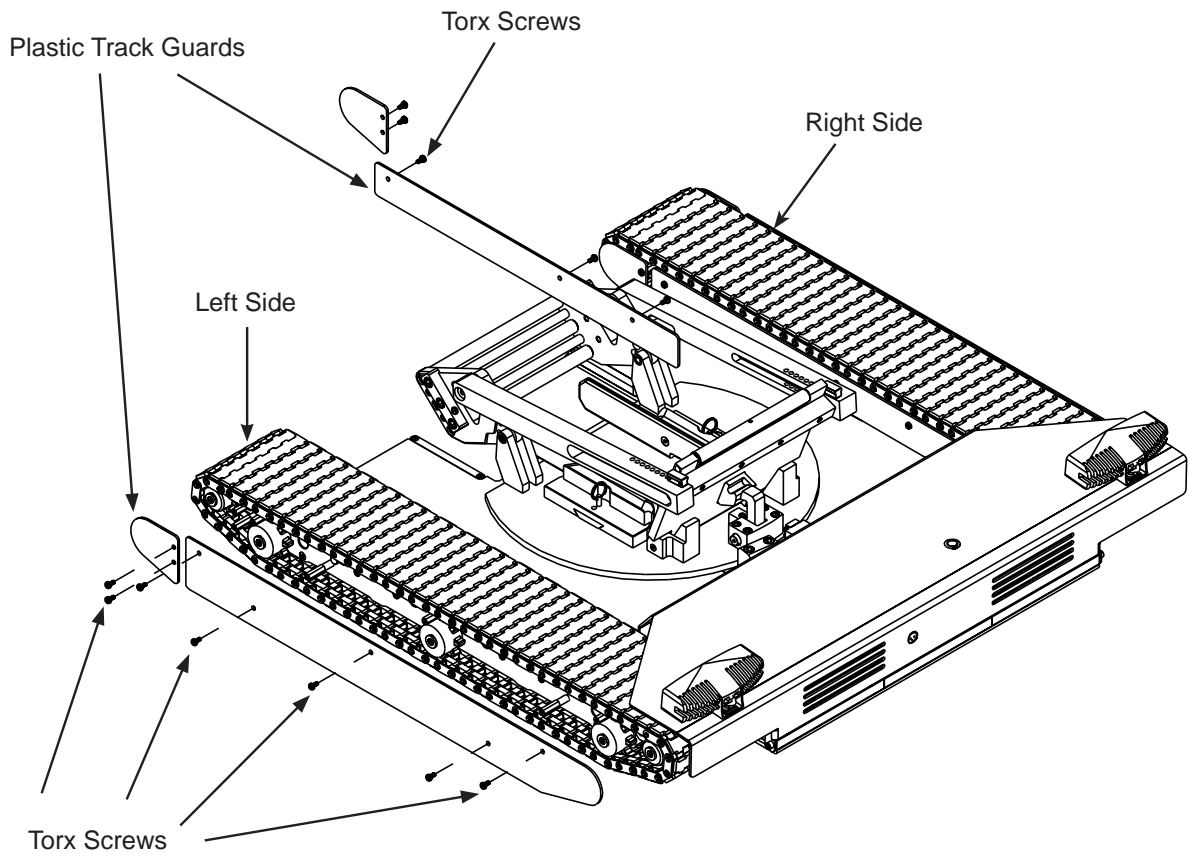
As you rotate the hex track adjuster you will hear and feel a click when it gets to the next tightest setting. When the track is adjusted properly you should have no more than 3/4" of play at the center of the track. Do not over tighten the tracks.



3/4" Up and Down Play at Center of Track

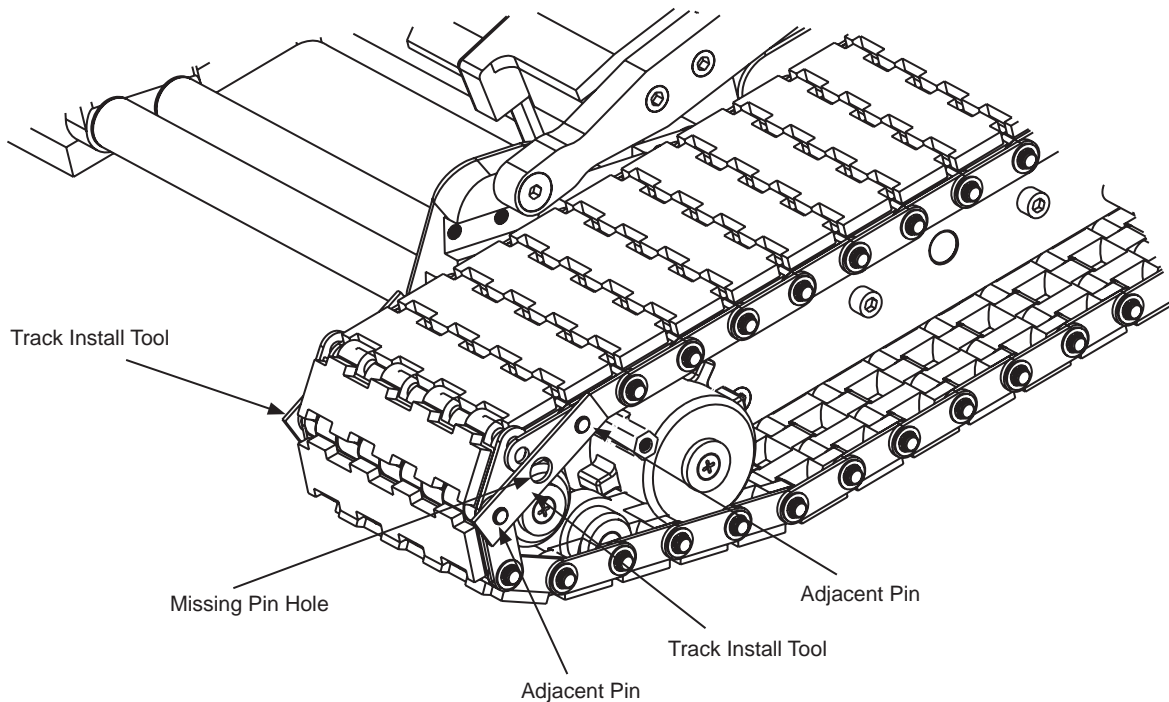
9. Once the track has been adjusted, tighten the front end retainer bolt.

10. Re-install inside and outside plastic track guards using Torx Screws.

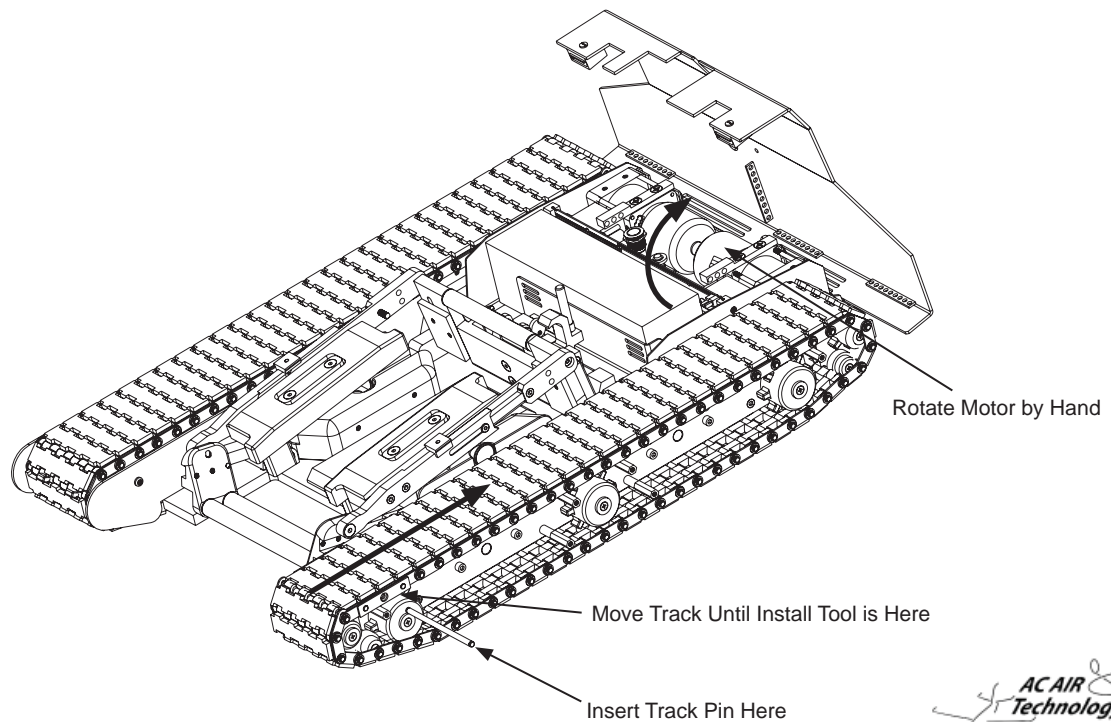


STEP X (using installation tools on tight tracks)

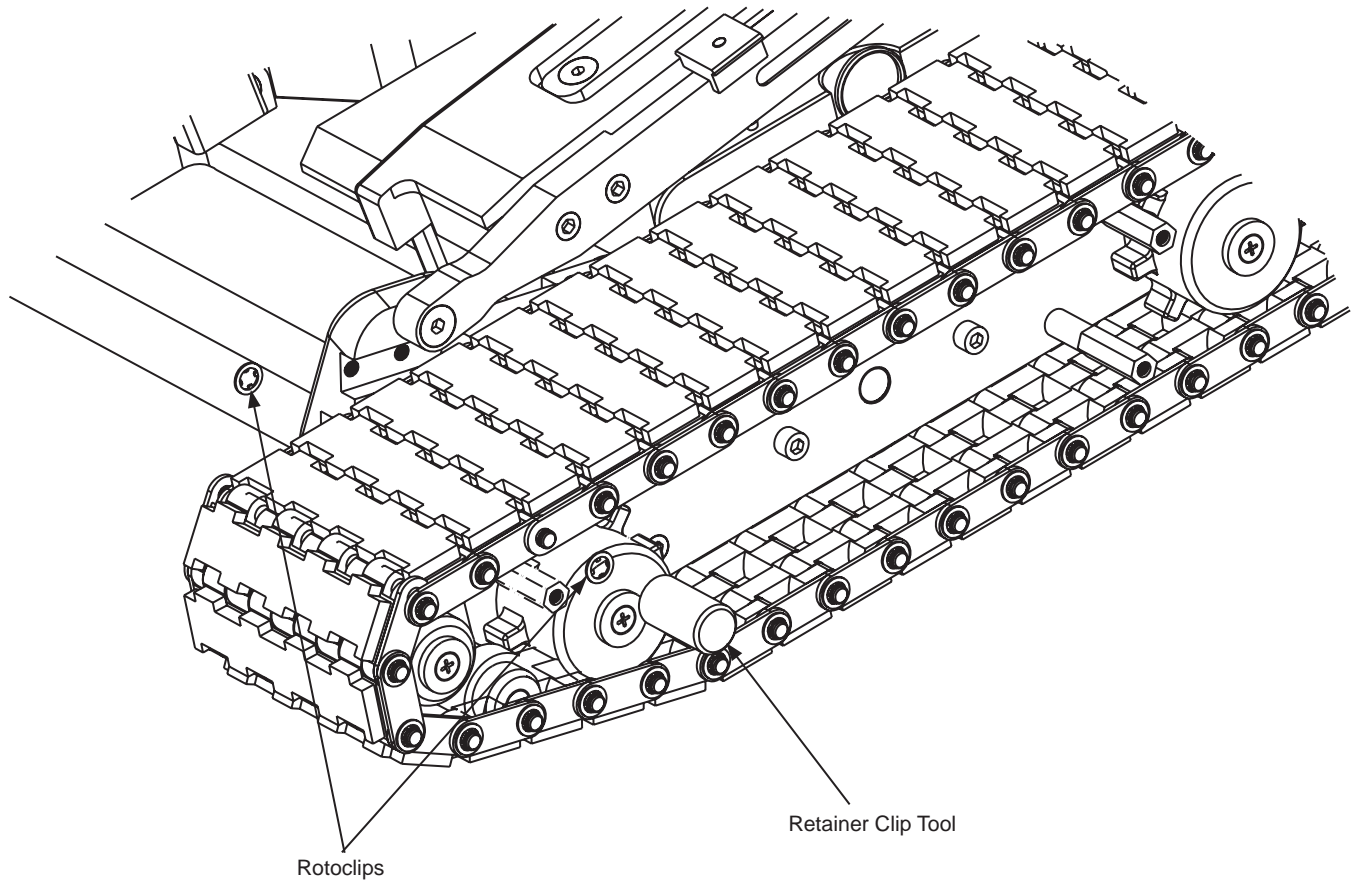
X1. Position the ends of the track at the front of the track rail as shown below. Then slip the track install tools on the inside and outside adjacent pins to the missing pin hole. Note: You will need to hold these in place by hand.



X2. While holding the install tools in place manually rotate the motors by hand to move the track ends to a flat position as shown below. Then you can insert the missing pin through the track ends. Note: The pin can not have a Rotoclip installed while inserting through the install tools.



X3. After the pin is in place remove both install tools. Then press a Rotoclip on both ends for the pin using the retainer clip tool.
Note: See steps 5 and 6 for proper Rotoclip installation.



X4. Proceed to steps 7 and 8 to finish the track installation

2-2. Warranty

LIMITED WARRANTY

Your new AC Air Technology Tug is warranted to the original purchaser (only) for one full year from the date of purchase to be free from factory defects in material and workmanship. During this 12-month period, AC Air Technology will repair or replace, at our discretion, the defective component determined by AC Air Technology to be defective.

This warranty does not apply to damage or defect resulting from mis-use, improper application, commercial use, or attempted repair by “non-AC Air Technology” service staff. The warranty does not cover shipping or handling cost or any incidental or consequential damage. Batteries and tracks are not covered by warranty.

DAMAGE LIMITS

AC Air Technology shall not be liable for any damage, indirect or consequential, loss of profits or commercial or production loss, or other special loss or damage in any way connected with this product regardless whether such claim is based on warranty, in contract, negligence, or strict liability. In no event shall the liability of AC Air Technology exceed the individual price of the product on which liability is asserted. AC Air Technology has no control of the set up, application, use, modification, or misuse of this product, thus no liability shall be assumed or accepted for any resulting damage or injury. By the first act of use, set up or assembly, the user in using the product accepts all resulting liability. Failure to operate this product in a safe and responsible manner can result in damage or injury, both to the user as well as to others, the product, or property. This product is not a toy and is NOT intended to be used by children without adult supervision. It is essential to read the entire manual and warranty/liability information prior to first use/application/installation of this product to operate correctly and avoid damage/injury,

In cases where the purchaser or user are not prepared to accept liability associated with the use of this product, the user or purchaser is advised to return the unused product immediately in unused condition to the place of purchase.

RETURN PROCEDURE

When sending equipment in for requested warranty service, please include a note describing the problems/concerns with the equipment. You must include your name, address, telephone number and email for prompt service. To request warranty service, a copy of your original sales receipt must be included. Warranty is approved and performed at the discretion of AC Air Technology service department. You are required to pay all postage, shipping and insurance charges.

