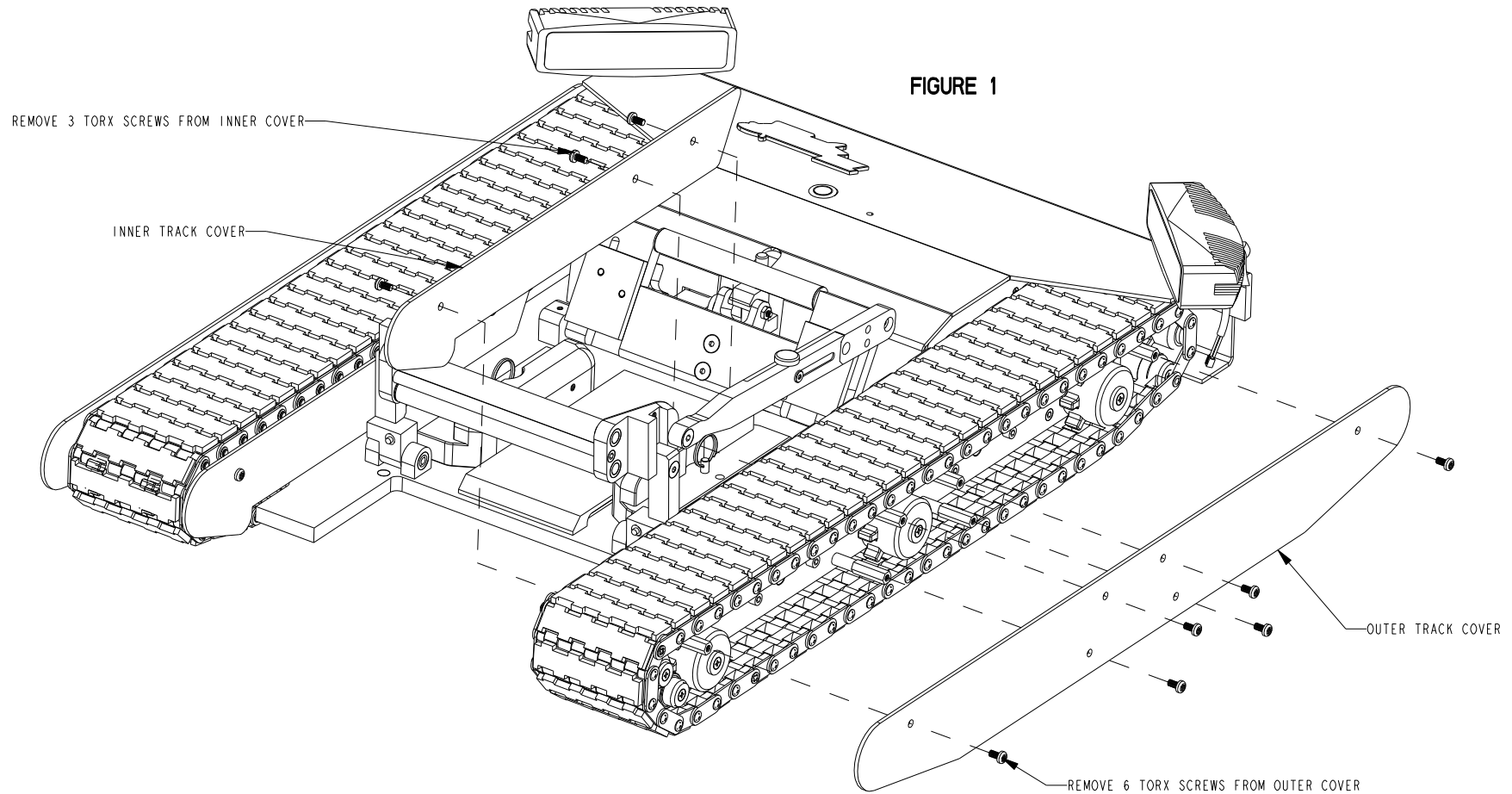
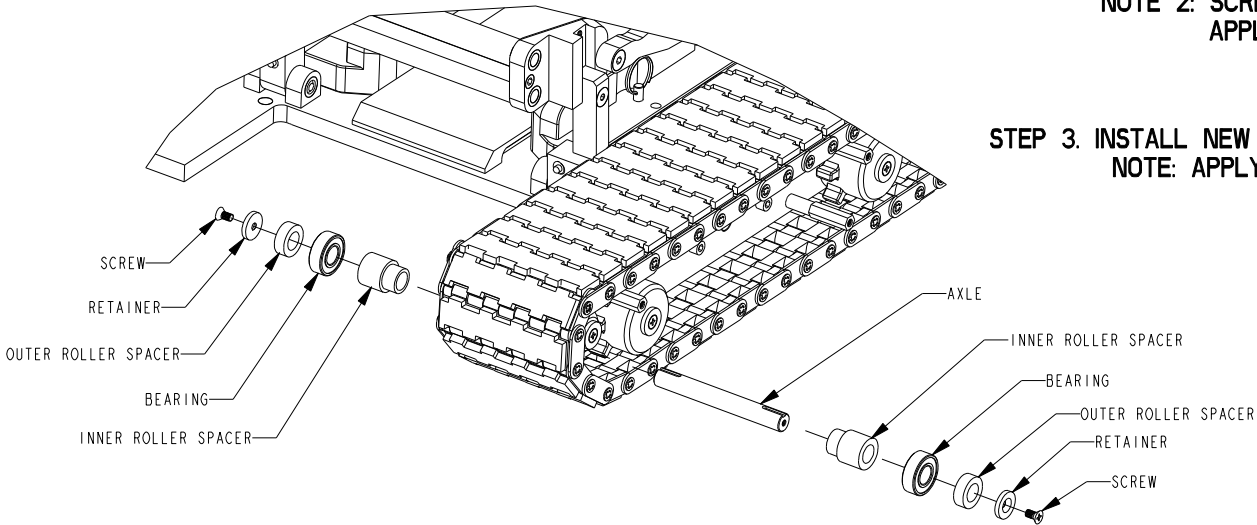


REPLACE IDLER BEARINGS ON T1X2 TUG



STEP 1. REMOVE OUTER AND INNER TRACK COVERS FROM THE SIDE WHERE THE REPAIR IS NEEDED.

FIGURE 2



STEP 2. REMOVE OLD IDLE ASSEMBLY FROM THE TRACK.

NOTE 1: IT MAY BE NECESSARY TO LOOSEN THE TRACK (SEE FIGURE 3)

NOTE 2: SCREWS HAVE BEEN GLUED SO IT MAY BE NECESSARY TO APPLY HEAT TO THEM FOR REMOVAL.

STEP 3. INSTALL NEW PARTS AS SHOWN IN FIGURE 2.

NOTE: APPLY GREEN LOCTITE TO BOTH SCREWS BEFORE INSTALLING THEM

FIGURE 3: LOSENING THE TRACK

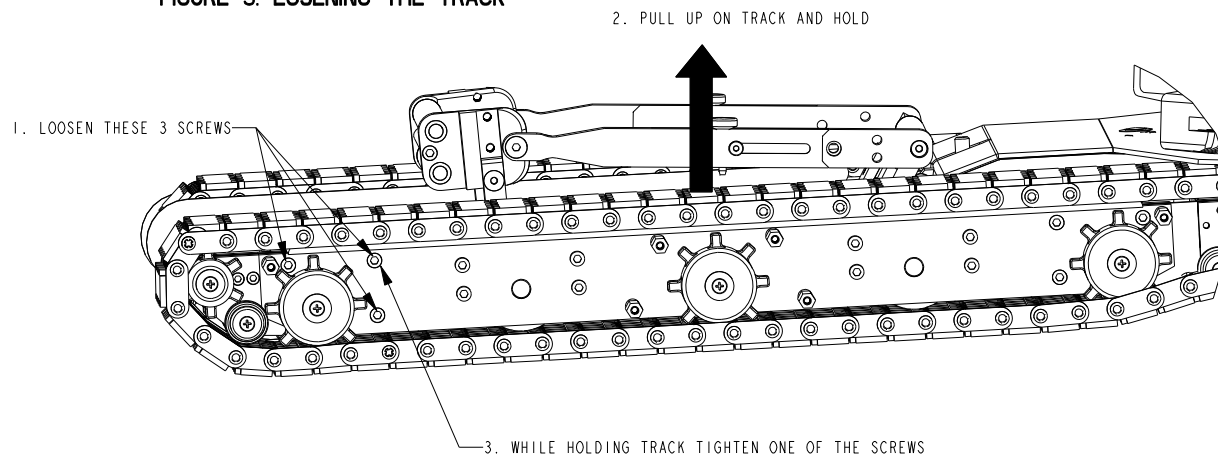
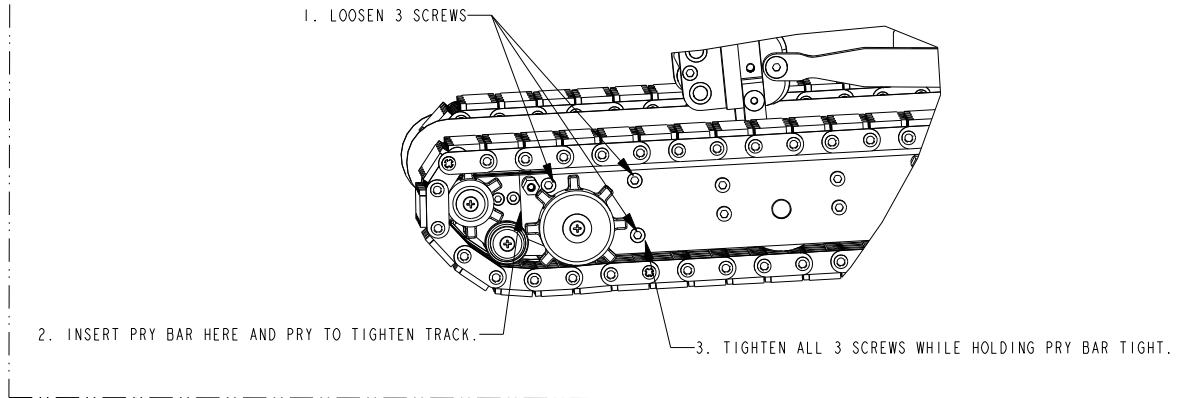


FIGURE 4: TIGHTENING THE TRACK



STEP 4. INSTALL INNER AND OUTER TRACK COVERS USING 9 SCREWS

