

1. Components

2. Installation Guide

2-1. Installation

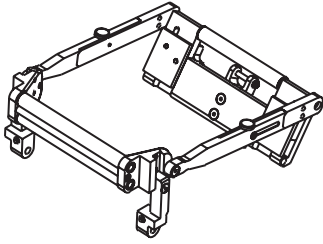
3. Setup

3-1. Adjusting Wheel Cradle for tire.

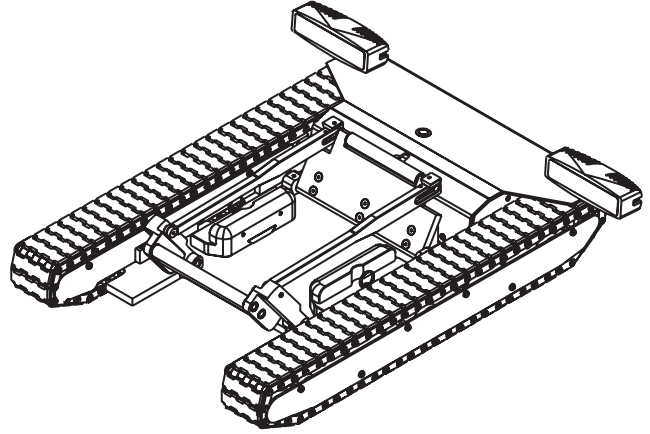
3-2. Adjusting dovetail spacers to tire.

4. Warranty

1. Components



Adjustable Cradle

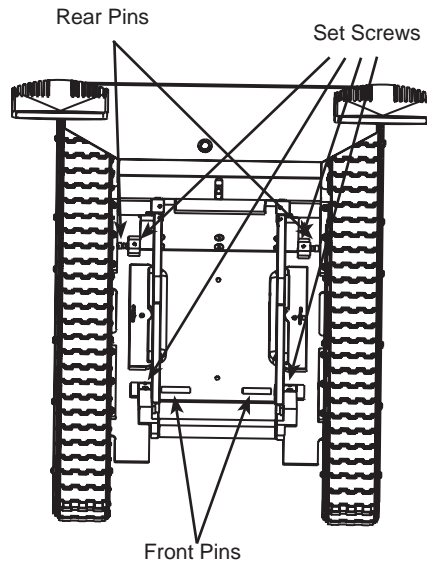


T1V2 Tug

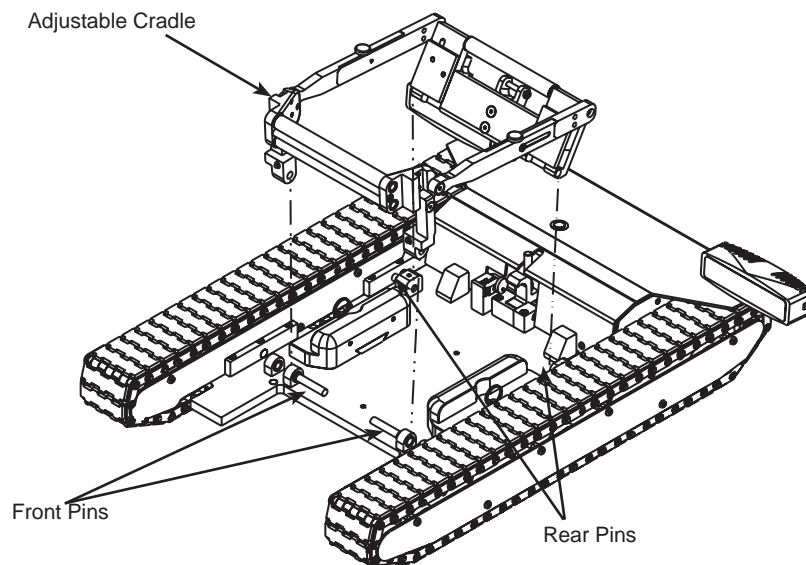
2. Installation Guide

2-1. Installation

1. Remove the 4 set screws holding the cradle front and rear pins in place. Remove or slide out both front and rear cradle pins so the cradle can be removed.



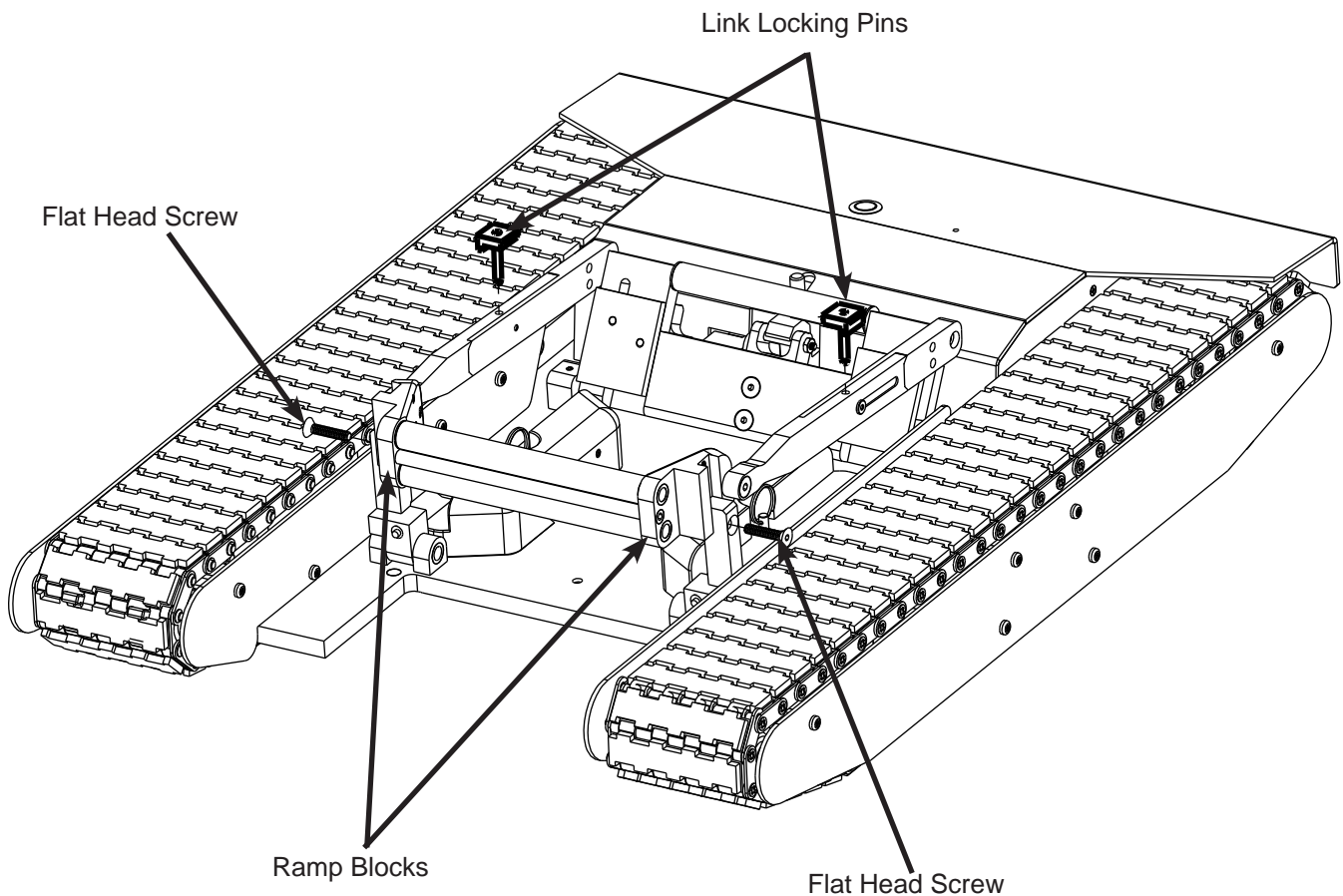
2. Install adjustable cradle in place of the old cradle. Replace the front and rear cradle pins in their original locations and reinstall the set screws.



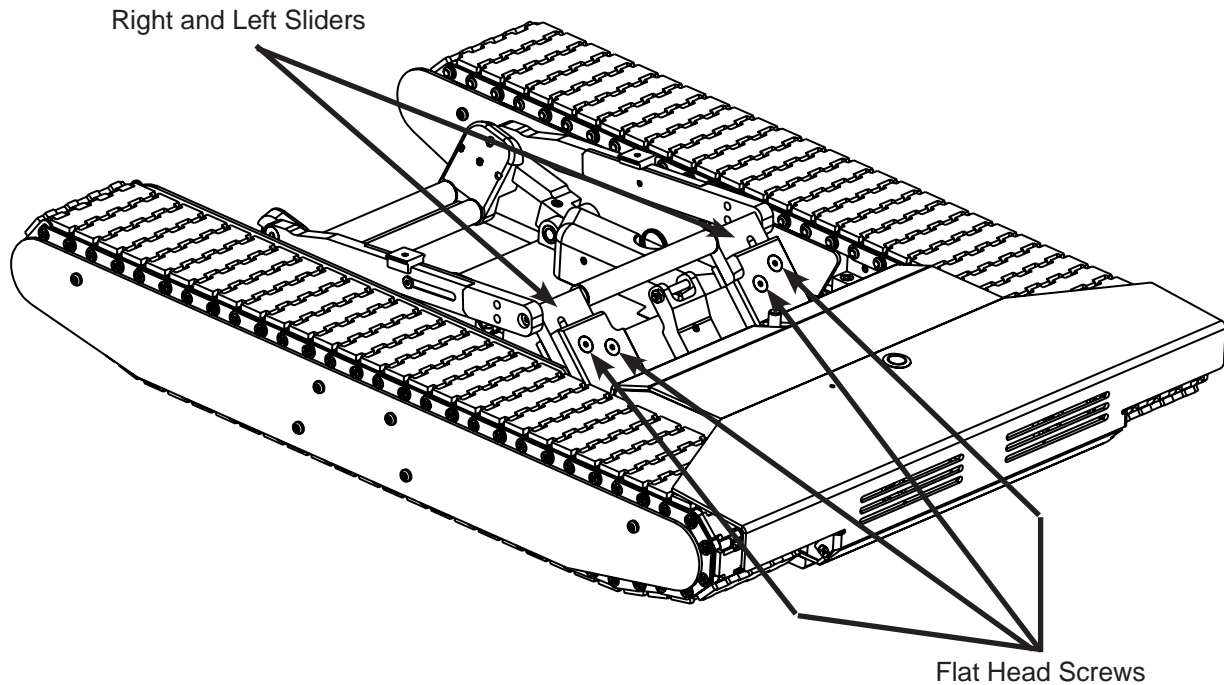
3. Setup

3-1. Adjusting Wheel Cradle for Tire

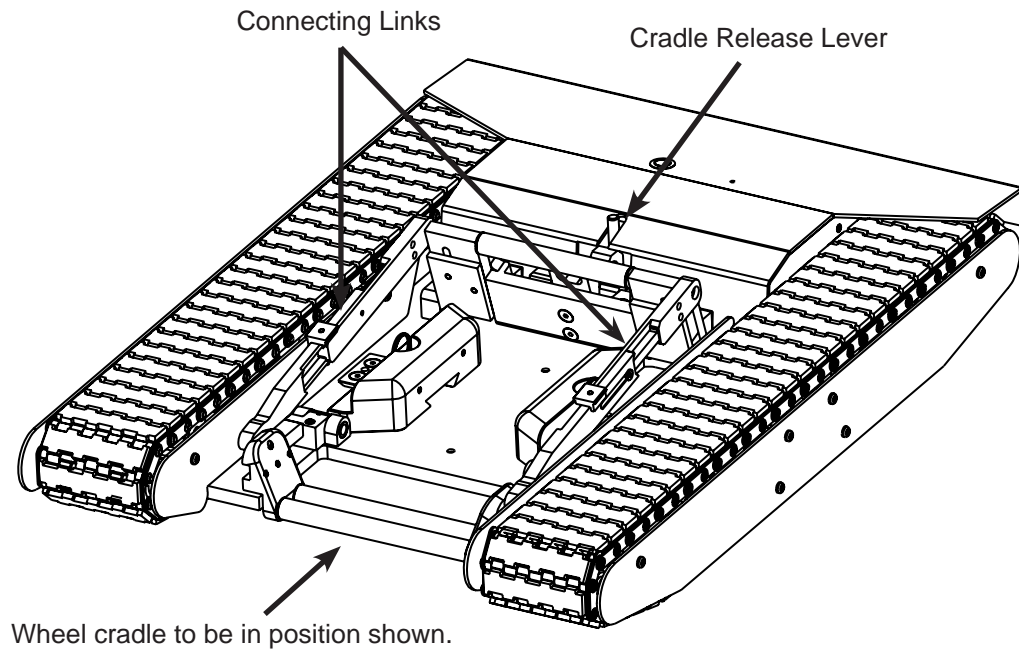
1. When towing a non-fairing aircraft make sure the front and back cradle gates are adjusted in the fully extended position. For aircraft with fairings adjust the cradle gates to the lowest setting. If extra clearance is needed position the booster plate on the center of the main plate between the dovetail spacers.
2. To adjust the front gate remove the flat head screws from each side and slide the right and left ramp blocks to the desired position. Then reinstall the flat head screws on each side. Note: It may be easier to remove these screws with the link locking pins removed.



3. To adjust the back gate just loosen the 4 flat head screws on the back of the gate. Then slide the right and left sliders to the desired position. Then tighten all 4 of the flat head screws.

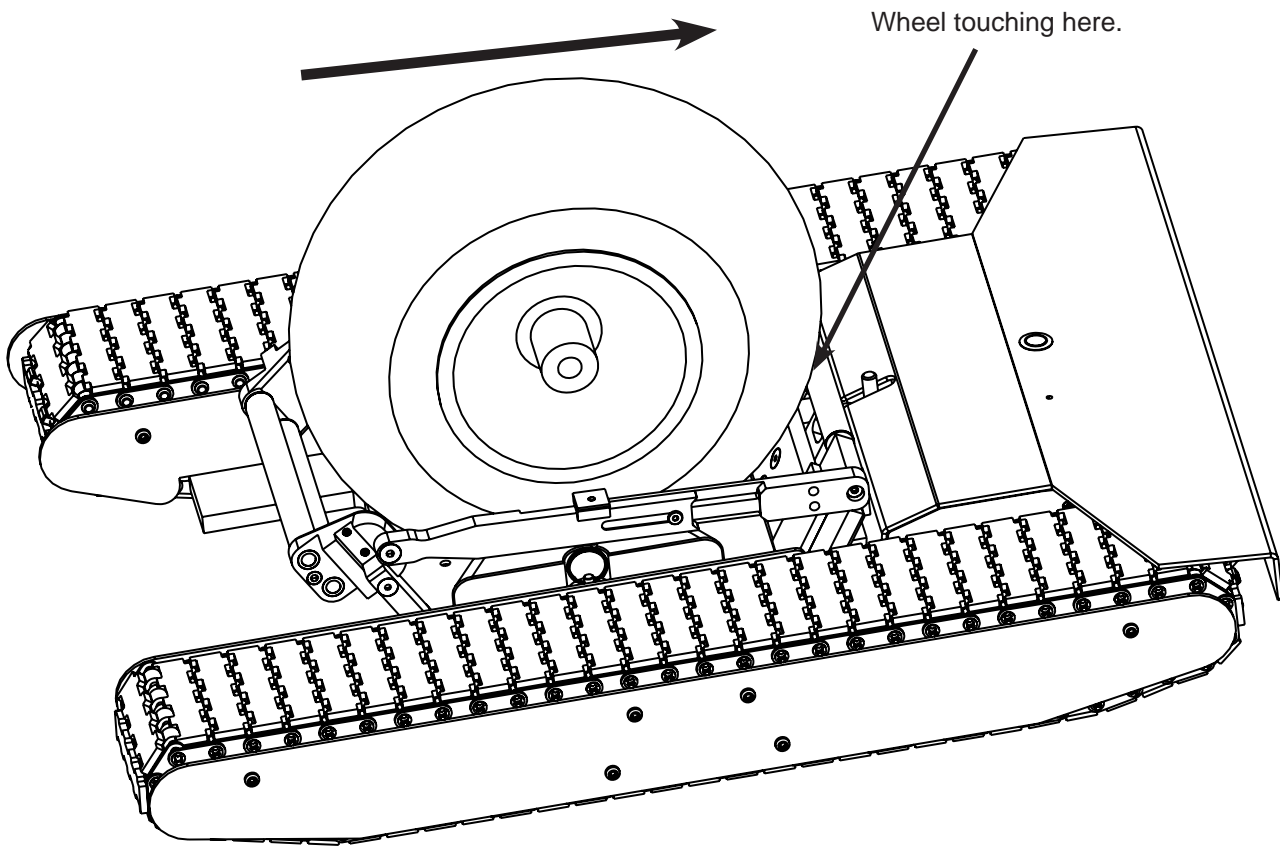


4. Position the wheel cradle to the down position. Adjust the connecting links to the longest length by removing the link locking pins and extending the links. Then re-insert the link locking pins in the link holes. Use the cradle release lever to un-latch the cradle and put it down.

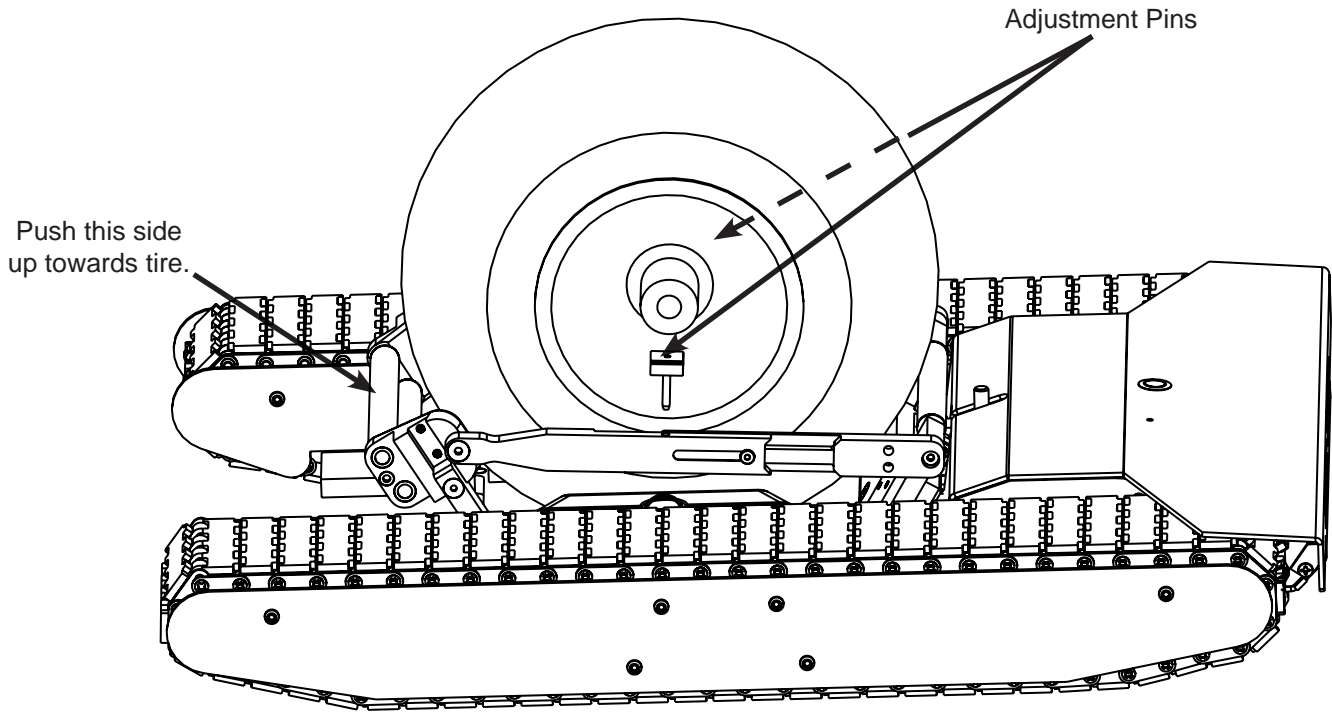


5. Place wheel chocks behind the rear tires of plane to ensure the plane does not roll backwards.

6. Drive tug under the wheel of the plane until the wheel cradle locks in the upright position. Make sure the wheel is touching the back gate as shown.

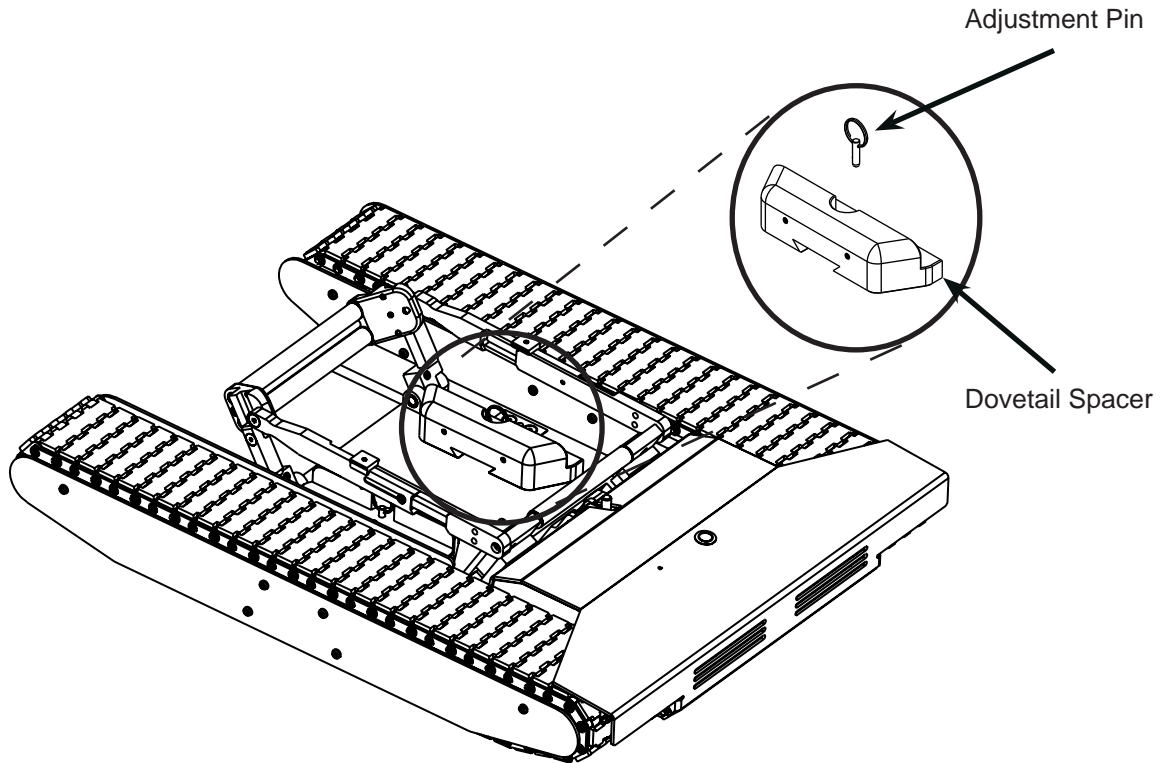


5. Remove adjustment pins and push front side of cradle until it is touching the tire and reinstall the pins. If pins cannot be installed while front side is touching the tire, move front side of cradle away from the tire until the pin can be inserted into the next closest hole. You do not want this to be too tight on the tire. Do not force adjustment pins in.

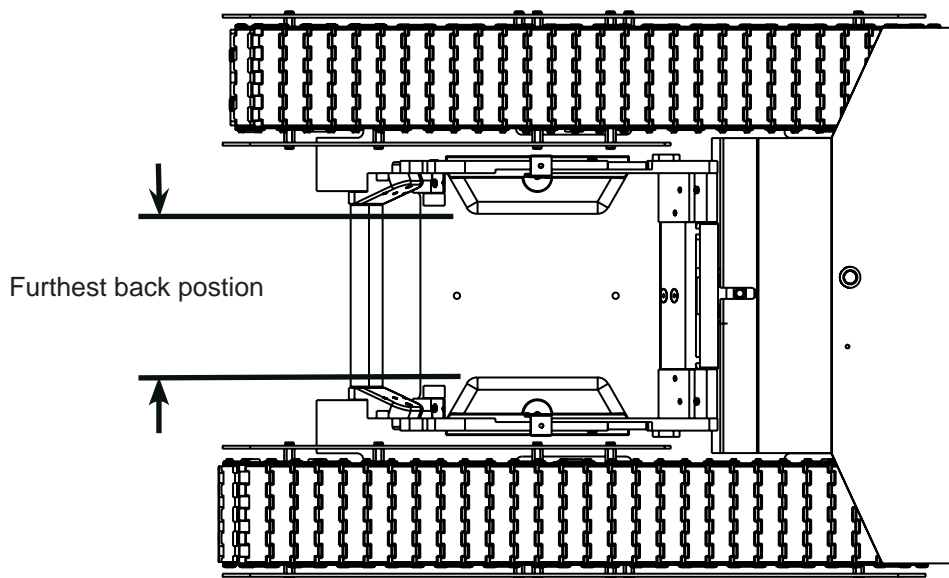


6. Release the latch using the radio and back the tug out from under the plane. Drive the tug back under the tire to double check that the wheel cradle is set up correctly and to be sure the cradle latches securely. When releasing the latch always make sure the wheel is against the back gate. If not, the latch may not release properly.

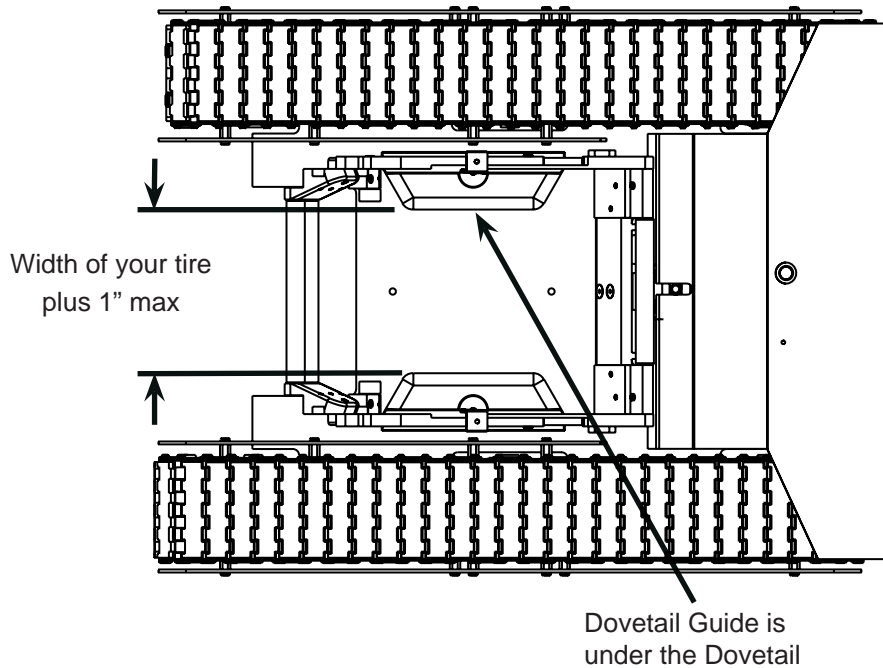
2-4. Adjusting Dovetail Spacers to Tire



1. If the dovetail spacers are in the furthest back position (as shown below) and your tire does not fit or it is too close of a fit remove the dovetail spacers and adjustment pins.



2. Adjust the dovetail spacers by removing the adjustment pin and sliding the spacers towards each other. Ideally the dovetail spacers should be moved the same distance on each side to keep your tire centered in the cradle. The distance between the dovetail spacers should equal the width of your tire plus one inch maximum.



3. Align each dovetail spacer to the nearest hole in the dovetail guide. Insert the adjustment pin in either one of the two aligning holes on the dovetail spacer. The cradle might limit the access to one of the aligning holes therefore insert the adjustment pin into the aligning hole that is easily accessible.

2-2. Warranty

LIMITED WARRANTY

Your new AC Air Technology Tug is warranted to the original purchaser (only) for one full year from the date of purchase to be free from factory defects in material and workmanship. During this 12-month period, AC Air Technology will repair or replace, at our discretion, the defective component determined by AC Air Technology to be defective.

This warranty does not apply to damage or defect resulting from mis-use, improper application, commercial use, or attempted repair by “non-AC Air Technology” service staff. The warranty does not cover shipping or handling cost or any incidental or consequential damage. Batteries and tracks are not covered by warranty.

DAMAGE LIMITS

AC Air Technology shall not be liable for any damage, indirect or consequential, loss of profits or commercial or production loss, or other special loss or damage in any way connected with this product regardless whether such claim is based on warranty, in contract, negligence, or strict liability. In no event shall the liability of AC Air Technology exceed the individual price of the product on which liability is asserted. AC Air Technology has no control of the set up, application, use, modification, or misuse of this product, thus no liability shall be assumed or accepted for any resulting damage or injury. By the first act of use, set up or assembly, the user in using the product accepts all resulting liability. Failure to operate this product in a safe and responsible manner can result in damage or injury, both to the user as well as to others, the product, or property. This product is not a toy and is NOT intended to be used by children with out adult supervision. It is essential to read the entire manual and warranty/liability information prior to first use/application/installation of this product to operate correctly and avoid damage/injury,

In cases where the purchaser or user are not prepared to accept liability associated with the use of this product, the user or purchaser is advised to return the unused product immediately in unused condition to the place of purchase.

RETURN PROCEDURE

When sending equipment in for requested warranty service, please include a note describing the problems/concerns with the equipment. You must include your name, address, telephone number and email for prompt service. To request warranty service, a copy of your original sales receipt must be included. Warranty is approved and preformed at the discretion of AC Air Technology service department. You are required to pay all postage, shipping and insurance charges.