

BILL OF MATERIAL (CURRENT LEVEL)				
ITEM	PT/ASSY	DESCRIPTION	TYPE	QTY.
1	02617	HELI CONNECTOR TUBE	ASSEMBLY	2
2	09551	T2 TRACK SPARE PARTS KIT	PART	2
3	09612	TIH2 TUG	ASSEMBLY	1
4	09621	TIH2 SHORT ADJUSTER	ASSEMBLY	1
5	09622	TIH2 LONG ADJUSTER	ASSEMBLY	1
6	09889	TIH2 BACKEND ASSEMBLY (LEFT)	ASSEMBLY	1
7	09993	TIH2 BACKEND ASSM. (RIGHT)	ASSEMBLY	1
8	24244	HELICOPTER FRAME INSERT	PART	4
9	95117	1/4"-20 X 3/4" SOCKET CAP	PART	12
10	95394	29.2V POWER SUPPLY 7A	PART	2
11	95545	T-HANDLE PIN, 1/4"DIA X 2-1/4"	PART	4
12	95631	TIH2 OWNER'S MANUAL	PART	1
13	95669	1/2"-13 X 2.25"L CAP SCREW	PART	2
14	96352	PACKAGING FOAM 2" X 47" X 39"	BULK ITEM	1
15	98013	PAN HEAD 10-24 X 5/16" SCREW	PART	4

A Touch of Brass
A TOUCH OF BRASS INC
13832 MAGNOLIA AVE.
CHINO, CA 91710-7027
909-464-1000

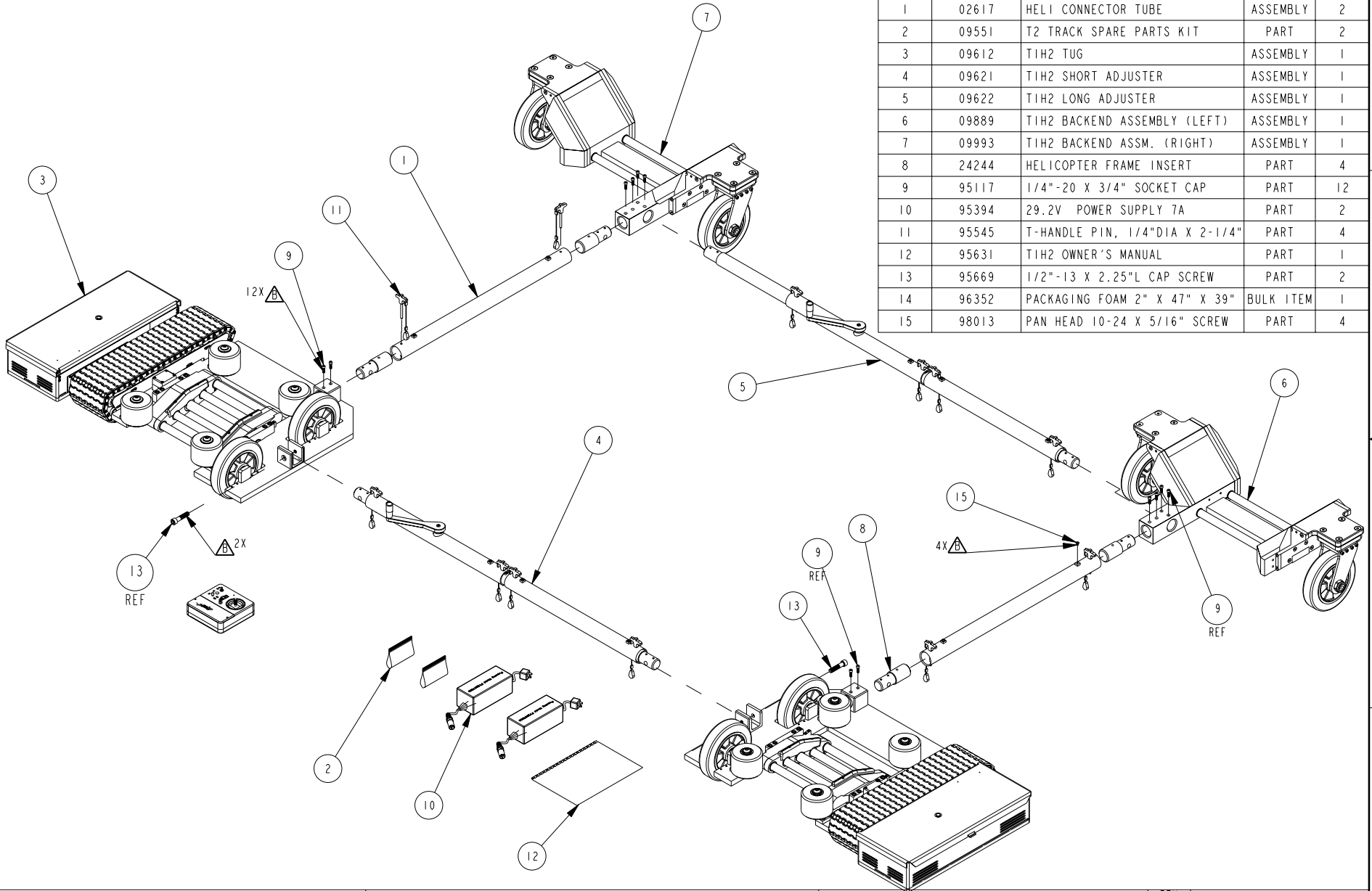
TIH2 COMPLETE TUG ASSEMBLY

DWG. NO. 09995		REV E	UNLESS OTHERWISE SPECIFIED, DIMENSIONS ARE IN INCHES.
SCALE 0.060	APPR.	SHEET 1 OF 2	

▲ BLUE REMOVABLE LOCTITE

BILL OF MATERIAL (CURRENT LEVEL)

ITEM	PT/ASSY	DESCRIPTION	TYPE	QTY.
1	02617	HELI CONNECTOR TUBE	ASSEMBLY	2
2	09551	T2 TRACK SPARE PARTS KIT	PART	2
3	09612	TIH2 TUG	ASSEMBLY	1
4	09621	TIH2 SHORT ADJUSTER	ASSEMBLY	1
5	09622	TIH2 LONG ADJUSTER	ASSEMBLY	1
6	09889	TIH2 BACKEND ASSEMBLY (LEFT)	ASSEMBLY	1
7	09993	TIH2 BACKEND ASSM. (RIGHT)	ASSEMBLY	1
8	24244	HELICOPTER FRAME INSERT	PART	4
9	95117	1/4"-20 X 3/4" SOCKET CAP	PART	12
10	95394	29.2V POWER SUPPLY 7A	PART	2
11	95545	T-HANDLE PIN, 1/4"DIA X 2-1/4"	PART	4
12	95631	TIH2 OWNER'S MANUAL	PART	1
13	95669	1/2"-13 X 2.25"L CAP SCREW	PART	2
14	96352	PACKAGING FOAM 2" X 47" X 39"	BULK ITEM	1
15	98013	PAN HEAD 10-24 X 5/16" SCREW	PART	4



A Touch of Brass
A TOUCH OF BRASS INC
13832 MAGNOLIA AVE.
CHINO, CA 91710-7027
909-464-1000

TIH2 COMPLETE TUG ASSEMBLY

DWG. NO. **09995**

REV **E**

UNLESS OTHERWISE SPECIFIED, DIMENSIONS ARE IN INCHES.

SCALE 0.057

APPR.

SHEET 2 OF 2