

BILL OF MATERIAL (CURRENT LEVEL)

ITEM	PT/ASSY	DESCRIPTION	TYPE	QTY.
1	09023	T mini LOGO PLATE W STUDS	ASSEMBLY	1
2	09835	TIX2 PC BOARD	ASSEMBLY	1
3	09864	3" TRACK SPARE PARTS BAG	PART	1
4	09884	T-MINI WELDED SHROUD	ASSEMBLY	1
5	09956	5X5 CRADLE ASSEMBLY	ASSEMBLY	1
6	09958	T-MINI GEARBOX-MOTOR ASSEMBLY	ASSEMBLY	2
7	09962	T.75 3" TRACK ASSEMBLY	ASSEMBLY	2
8	09964	TIX2/TIV2 RADIO NO LIGHTS 2017	ASSEMBLY	1
9	09999	ON-BOARD PARTS BOX	ASSEMBLY	1
10	20389	8-32 X 5/16" PAN HEAD SCREW	PART	10
11	22422	TUG SHAFT RETAINER	PART	14
12	22996	DRIVE SPROCKET	PART	2
13	23419	TI LARGE SPROCKET	PART	8
14	23422	TI RAIL IDEL ROLLER	PART	2
15	23424	TI SHORT SHAFT	PART	8
16	23425	RAIL SMALL IDLE ROLLER	PART	4
17	23483	TI IDLE SPROCKET	PART	4
18	23500	TUG MAGNET HOLDER	PART	2
19	23531	MOTOR SPACER .52 ID .550 L	PART	2
20	23714	T.75 MAIN PLATE RIGHT	PART	1
21	23715	T.75 MAIN PLATE LEFT	PART	1
22	23717	T.75 FRONT LEG	PART	2
23	23719	T.75 ROLLER SUPPORT	PART	4
24	23720	T.75 SPROCKET PIN	PART	2
25	23721	T.75 SPROCKET	PART	2
26	23723	T.75 BACK LEG LEFT	PART	1
27	23724	T.75 BACK LEG RIGHT	PART	1
28	23725	T.75 RAIL SUPPORT	PART	2
29	23726	T.75 FIXED RAIL PLATE	PART	2
30	23727	T.75 ADJUSTABLE RAIL PLATE	PART	2
31	23728	T.75 BACK SUPPORT PLATE	PART	1
32	23887	KNURLED BATTERY KNOB	PART	1
33	24446	TUG CHARGING SUPPORT MALE	PART	1
34	24447	TUG CHARGING SUPPORT FEMALE	PART	1
35	91211	PC BOARD CENTER GUIDE	PART	2
36	91213	T.75 GEARBOX WIRE ROUTER	PART	2
37	91285	10-32 X 5/8" L SS FLAT HEAD	PART	2
38	91428	8-32 X 3/8"L SS FLAT HEAD SCR	PART	4
39	91935	BEARING WASHER	PART	4
40	92315	#10-24 X 5/8"L SET SCREW	PART	1

41	92325	10-24 X 3/8"L CAP SCREW	PART	6
42	92524	SET SCREW, 8-32 X .125	PART	4
43	92542	1/4-20 X .500"L SET SCREW SS	PART	14
44	92593	10-32 X 3/16" L SS SET SCREW	PART	4
45	92640	T.75 PC BOARD GUIDE	PART	2
46	92641	T.75 THRUST WASHER	PART	4
47	92645	T.75 BATTERY PLATE	PART	1
48	92647	T.75 BATTERY BRACKET	PART	2
49	92654	T-MINI SHROUD END RIGHT	PART	1
50	92655	T-MINI SHROUD END RIGHT	PART	1
51	93539	10-32 X 3/4" L CAP SCREW	PART	4
52	93540	10-32 X 1/2" L CAP SCREW	PART	4
53	94051	T.75 OUTSIDE COVER	PART	2
54	94052	T.75 INSIDE TRACK COVER	PART	2
55	95003	1/4"-20 X 3/4" FLAT HEAD	PART	6
56	95017	1/4"-20 X 1/2" SOCKET CAP	PART	16
57	95018	1/4"-20 X 1/2" FLAT HEAD	PART	12
58	95025	1/2" BALL BEARING	PART	24
59	95026	1/8" SQ. X .400"L KEY STOCK	PART	10
60	95030	THREADED STANDOFF	PART	14
61	95049	6-32 X 5/16"L SS FT HD PHIL	PART	14
62	95092	10-32 X 3/8"L FLAT HEAD	PART	16
63	95124	1/4"-20 X 1.5" L SOCKET CAP	PART	4
64	95196	TUG CHARGER	PART	1
65	95200	1/4"-20 X 1"L SOCKET CAP	PART	8
66	95249	10-24 X 3/8" PAN HEAD	PART	2
67	95304	1/4"-20 X .875 SOCKET HEAD	PART	8
68	95350	8.25 EXTENSION	BULK ITEM	1
69	95366	WIRE EXTENSION CLIP	BULK ITEM	1
70	95368	1/8" SQ. X .400"L KEY STOCK	PART	4
71	95398	ALUMINUM FLAT WASHER	PART	4
72	95412	8-32 PAN HEAD PHILPS SCREW	PART	4
73	95468	PLASTIC SURF-MOUNT HINGE	PART	2
74	95474	T.75 TUG OWNERS MANUAL	PART	1
75	95504	24V BATTERY 10AH	PART	1
76	95624	10-32 X 3/8" PHILLIPS SCREW, THREAD LOCK	PART	14
77	96294	TUG SPROCKET SPACER	PART	2
78	96348	TMINI-TIX3 FOAM PACKING	BULK ITEM	1
79	96354	T-MINI / TIV2 FILLER FOAM	BULK ITEM	1
80	96357	5 FOLD STANDARD TUG BOX	BULK ITEM	1
81	92420A	MAGNETIC CATCH W STRIKES	PART	2
82	92420B	MAGNETIC CATCH W STRIKES	PART	2

A Touch of Brass
A TOUCH OF BRASS INC

13832 MAGNOLIA AVE.
CHINO, CA 91710-7027
909-464-1000

T-MINI TUG W 5X5 CRADLE

DWG. NO. **09970**

REV
1

UNLESS OTHERWISE SPECIFIED, DIMENSIONS ARE IN INCHES.

SCALE 0.036

APPR.

SHEET 1 OF 8

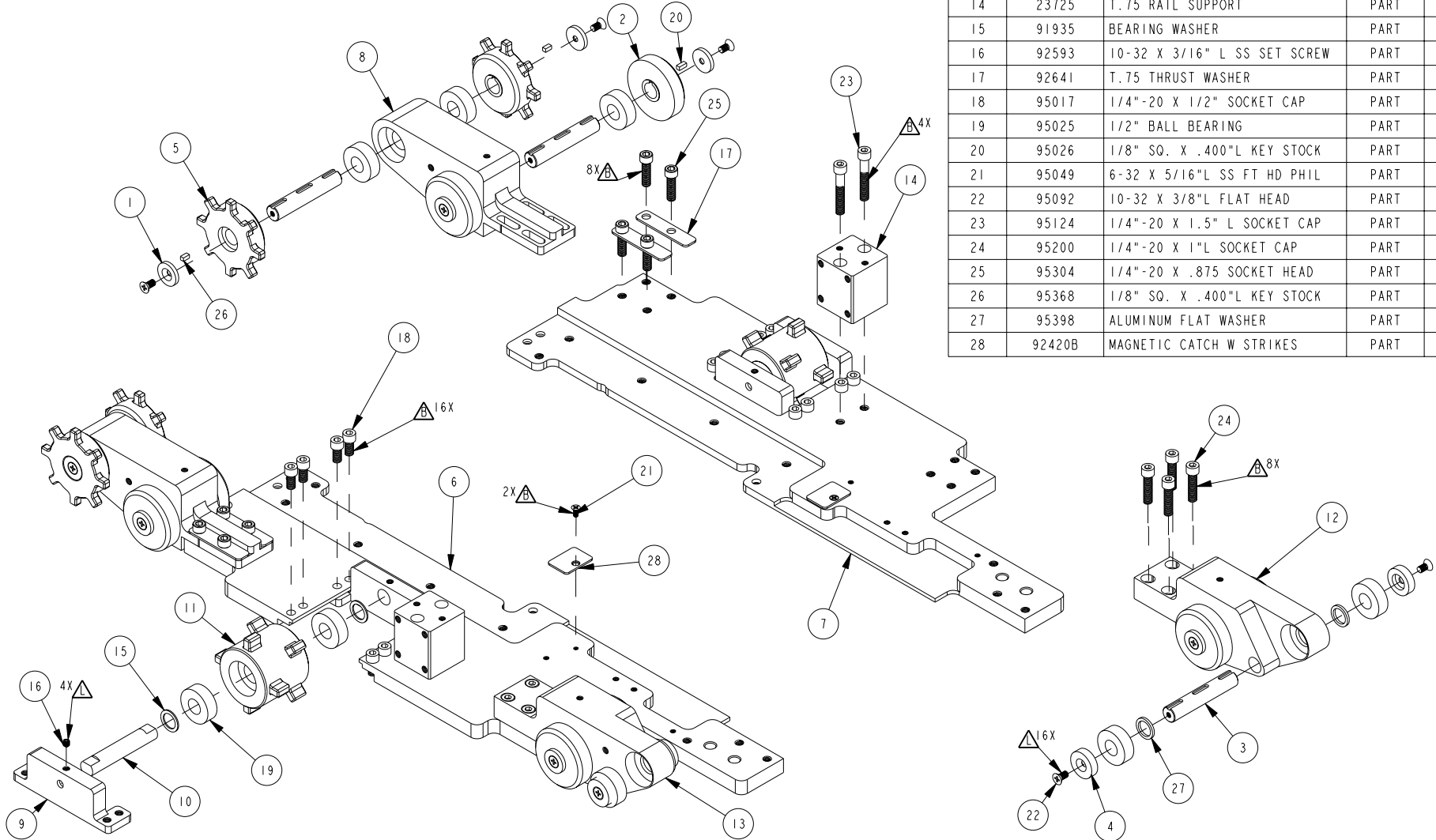
▲ BLUE REMOVABLE LOCTITE

▲ LOCTITE JOINT (GREEN)

BILL OF MATERIAL (CURRENT LEVEL)

ITEM	PT/ASSY	DESCRIPTION	TYPE	QTY.
1	22422	TUG SHAFT RETAINER	PART	12
2	23419	TI LARGE SPROCKET	PART	8
3	23424	TI SHORT SHAFT	PART	8
4	23425	RAIL SMALL IDLE ROLLER	PART	4
5	23483	TI IDLE SPROCKET	PART	4

6	23714	T.75 MAIN PLATE RIGHT	PART	1
7	23715	T.75 MAIN PLATE LEFT	PART	1
8	23717	T.75 FRONT LEG	PART	2
9	23719	T.75 ROLLER SUPPORT	PART	4
10	23720	T.75 SPROCKET PIN	PART	2
11	23721	T.75 SPROCKET	PART	2
12	23723	T.75 BACK LEG LEFT	PART	1
13	23724	T.75 BACK LEG RIGHT	PART	1
14	23725	T.75 RAIL SUPPORT	PART	2
15	91935	BEARING WASHER	PART	4
16	92593	10-32 X 3/16" L SS SET SCREW	PART	4
17	92641	T.75 THRUST WASHER	PART	4
18	95017	1/4"-20 X 1/2" SOCKET CAP	PART	16
19	95025	1/2" BALL BEARING	PART	20
20	95026	1/8" SO. X .400"L KEY STOCK	PART	8
21	95049	6-32 X 5/16"L SS FT HD PHIL	PART	2
22	95092	10-32 X 3/8"L FLAT HEAD	PART	16
23	95124	1/4"-20 X 1.5" L SOCKET CAP	PART	4
24	95200	1/4"-20 X 1"L SOCKET CAP	PART	8
25	95304	1/4"-20 X .875 SOCKET HEAD	PART	8
26	95368	1/8" SO. X .400"L KEY STOCK	PART	4
27	95398	ALUMINUM FLAT WASHER	PART	4
28	92420B	MAGNETIC CATCH W STRIKES	PART	2



A Touch of Brass
A TOUCH OF BRASS INC

13832 MAGNOLIA AVE.
CHINO, CA 91710-7027
909-464-1000

T-MINI TUG W 5X5 CRADLE

DWG. NO. 09970

REV 1

SCALE 0.225

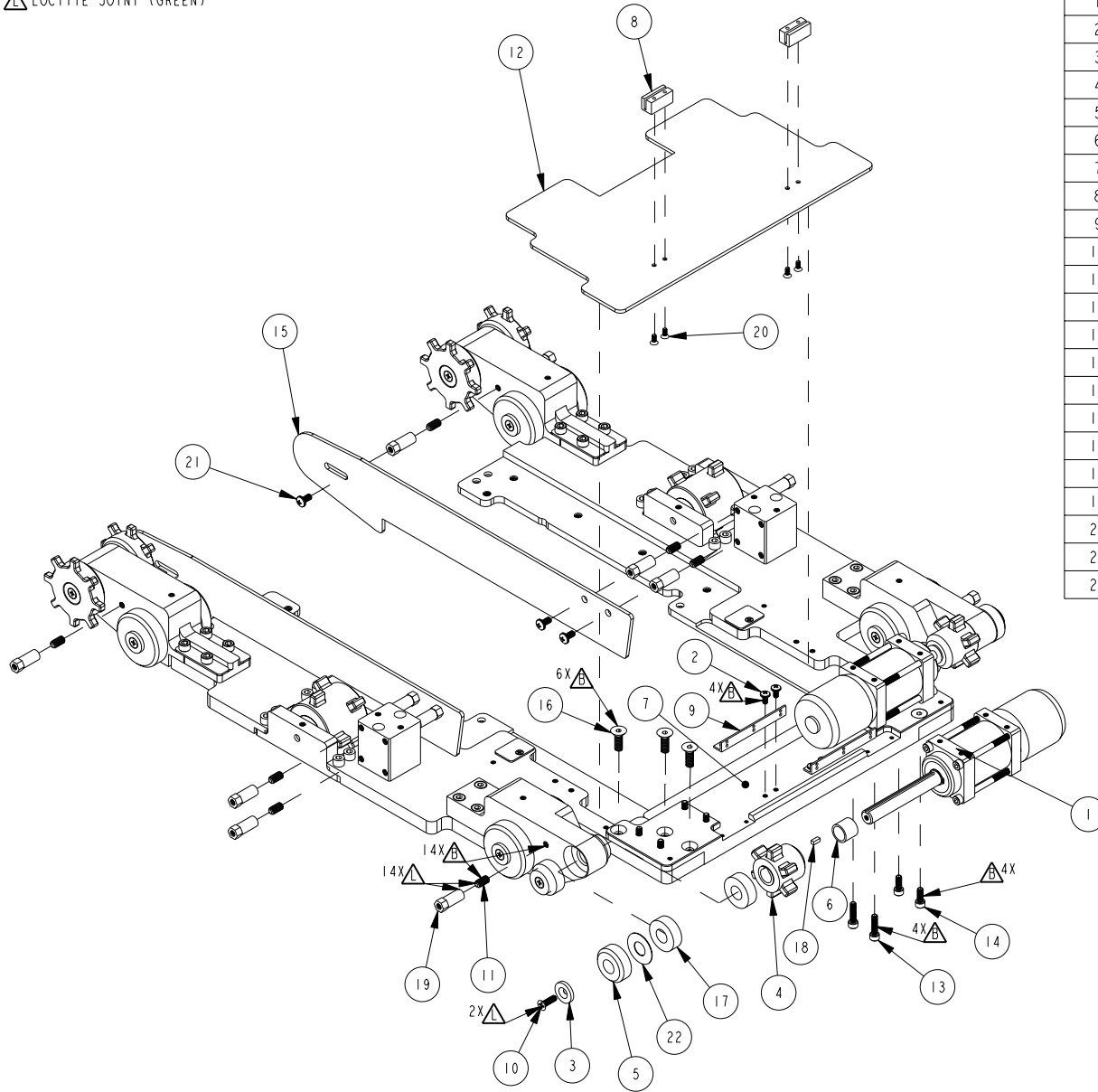
APPR.

SHEET 2 OF 8

UNLESS OTHERWISE SPECIFIED, DIMENSIONS ARE IN INCHES.

▲ BLUE REMOVABLE LOCTITE

▲ LOCTITE JOINT (GREEN)



BILL OF MATERIAL (CURRENT LEVEL)

ITEM	PT/ASSY	DESCRIPTION	TYPE	QTY.
1	09958	T-MINI GEARBOX-MOTOR ASSEMBLY	ASSEMBLY	2
2	20389	8-32 X 5/16" PAN HEAD SCREW	PART	4
3	22422	TUG SHAFT RETAINER	PART	2
4	22996	DRIVE SPROCKET	PART	2
5	23422	TI RAIL IDEL ROLLER	PART	2
6	23531	MOTOR SPACER .52 ID .550 L	PART	2
7	23728	T.75 BACK SUPPORT PLATE	PART	1
8	91211	PC BOARD CENTER GUIDE	PART	2
9	91213	T.75 GEARBOX WIRE ROUTER	PART	2
10	91285	10-32 X 5/8" L SS FLAT HEAD	PART	2
11	92542	1/4-20 X .500"L SET SCREW SS	PART	14
12	92645	T.75 BATTERY PLATE	PART	1
13	93539	10-32 X 3/4" L CAP SCREW	PART	4
14	93540	10-32 X 1/2" L CAP SCREW	PART	4
15	94052	T.75 INSIDE TRACK COVER	PART	2
16	95003	1/4"-20 X 3/4" FLAT HEAD	PART	6
17	95025	1/2" BALL BEARING	PART	16
18	95026	1/8" SQ. X .400"L KEY STOCK	PART	6
19	95030	THREADED STANDOFF	PART	14
20	95049	6-32 X 5/16"L SS FT HD PHIL	PART	4
21	95624	10-32 X 3/8" PHILLIPS SCREW, THREADED	PART	6
22	96294	TUG SPROCKET SPACER	PART	2

A Touch of Brass
A TOUCH OF BRASS INC

13832 MAGNOLIA AVE.
CHINO, CA 91710-7027
909-464-1000

T-MINI TUG W 5X5 CRADLE

DWG. NO. **09970**

REV **1**

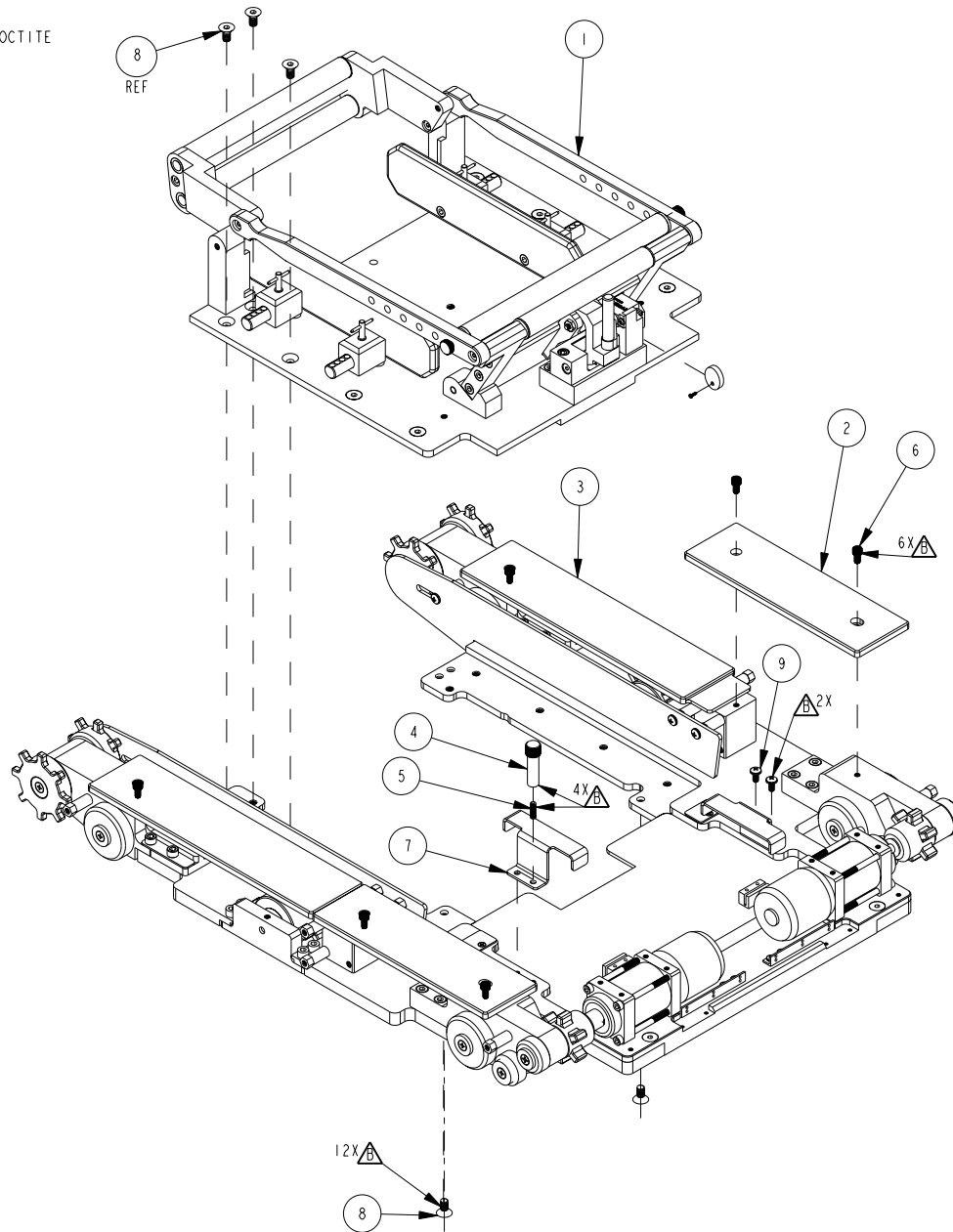
UNLESS OTHERWISE SPECIFIED, DIMENSIONS ARE IN INCHES.

SCALE **0.175**

APPR.

SHEET **3** OF **8**

 BLUE REMOVABLE LOCTITE



BILL OF MATERIAL (CURRENT LEVEL)

ITEM	PT/ASSY	DESCRIPTION	TYPE	QTY.
1	09956	5X5 CRADLE ASSEMBLY	ASSEMBLY	1
2	23726	T.75 FIXED RAIL PLATE	PART	2
3	23727	T.75 ADJUSTABLE RAIL PLATE	PART	2
4	23887	KNURLED BATTERY KNOB	PART	1
5	92315	#10-24 X 5/8"L SET SCREW	PART	1
6	92325	10-24 X 3/8"L CAP SCREW	PART	6
7	92647	T.75 BATTERY BRACKET	PART	2
8	95018	1/4"-20 X 1/2" FLAT HEAD	PART	12
9	95249	10-24 X 3/8" PAN HEAD	PART	2

A Touch of Brass
A TOUCH OF BRASS INC

13832 MAGNOLIA AVE.
CHINO, CA 91710-7027
909-464-1000

T-MINI TUG W 5X5 CRADLE

DWG. NO. **09970**

REV
1

UNLESS OTHERWISE
SPECIFIED, DIMENSIONS
ARE IN INCHES.

SCALE 0.160

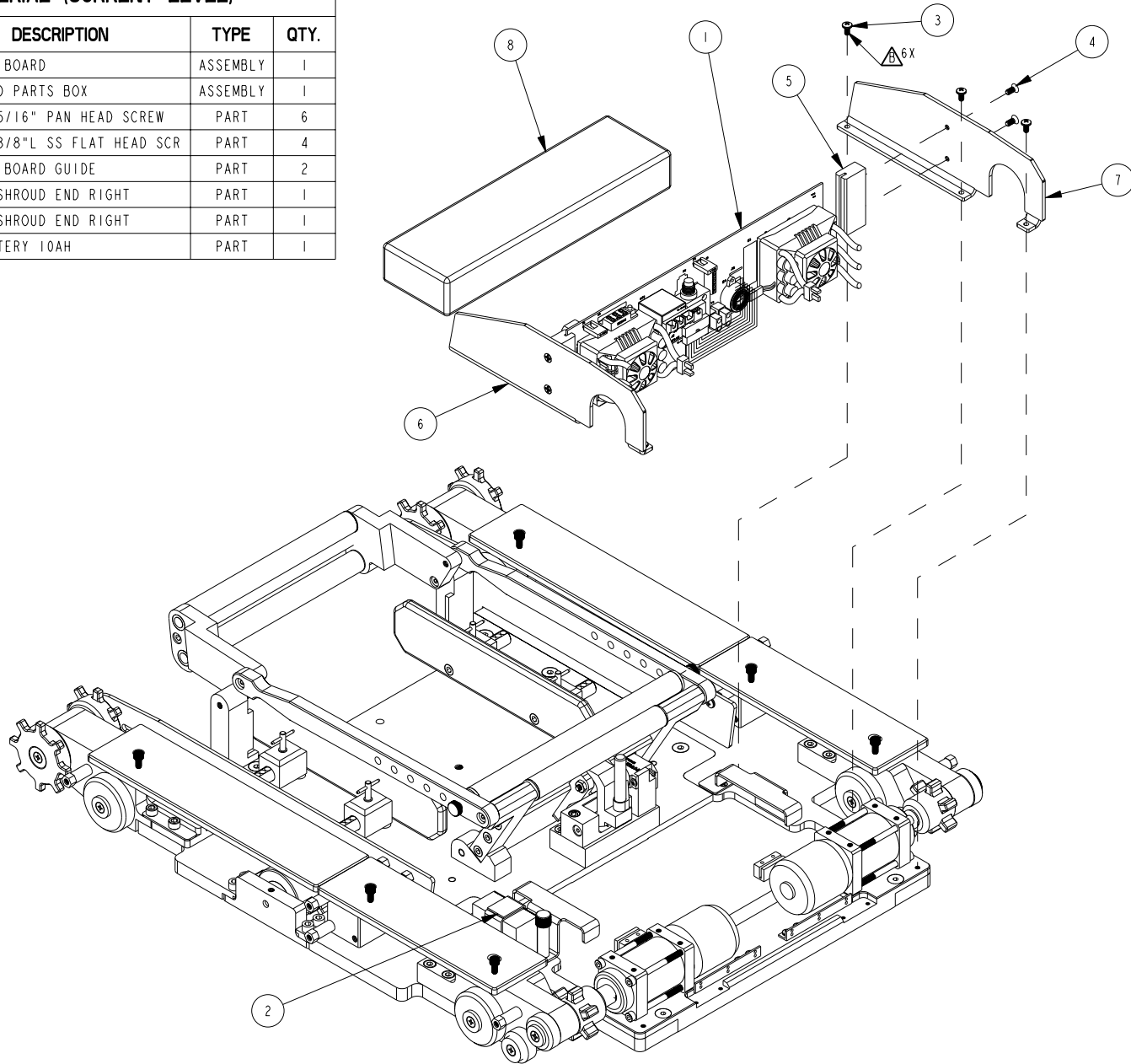
APPR.

SHEET 4 OF 8

BILL OF MATERIAL (CURRENT LEVEL)

ITEM	PT/ASSY	DESCRIPTION	TYPE	QTY.
1	09835	T1X2 PC BOARD	ASSEMBLY	1
2	09999	ON-BOARD PARTS BOX	ASSEMBLY	1
3	20389	8-32 X 5/16" PAN HEAD SCREW	PART	6
4	91428	8-32 X 3/8"L SS FLAT HEAD SCR	PART	4
5	92640	T.75 PC BOARD GUIDE	PART	2
6	92654	T-MINI SHROUD END RIGHT	PART	1
7	92655	T-MINI SHROUD END RIGHT	PART	1
8	95504	24V BATTERY 10AH	PART	1

 BLUE REMOVABLE LOCTITE



A Touch of Brass
A TOUCH OF BRASS INC

13832 MAGNOLIA AVE.
CHINO, CA 91710-7027
909-464-1000

T-MINI TUG W 5X5 CRADLE

DWG. NO. **09970**

REV
1

UNLESS OTHERWISE
SPECIFIED, DIMENSIONS
ARE IN INCHES.

SCALE 0.190

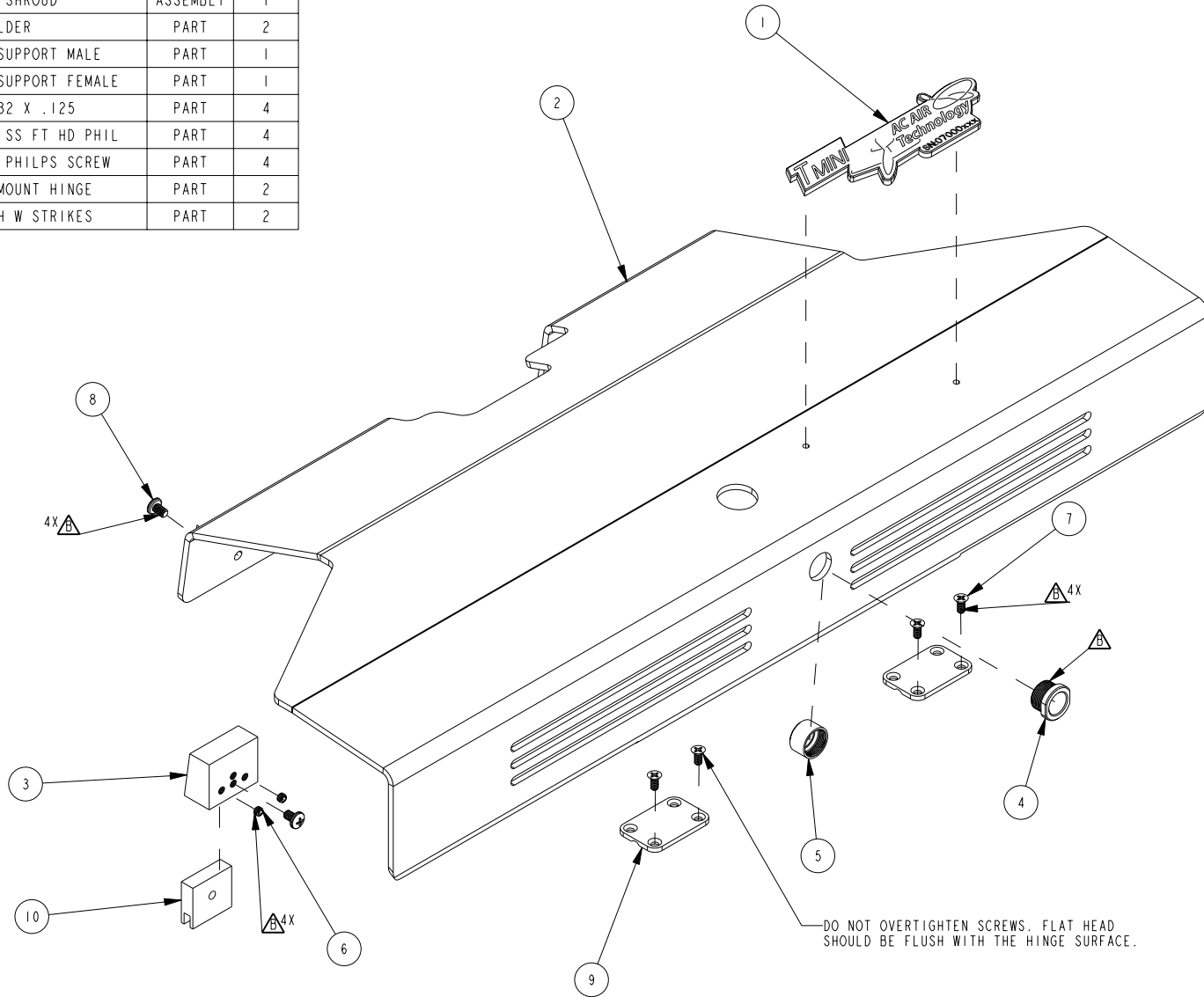
APPR.

SHEET 5 OF 8

BILL OF MATERIAL (CURRENT LEVEL)

ITEM	PT/ASSY	DESCRIPTION	TYPE	QTY.
1	09023	T mini LOGO PLATE W STUDS	ASSEMBLY	1
2	09884	T-MINI WELDED SHROUD	ASSEMBLY	1
3	23500	TUG MAGNET HOLDER	PART	2
4	24446	TUG CHARGING SUPPORT MALE	PART	1
5	24447	TUG CHARGING SUPPORT FEMALE	PART	1
6	92524	SET SCREW, 8-32 X .125	PART	4
7	95049	6-32 X 5/16" L SS FT HD PHIL	PART	4
8	95412	8-32 PAN HEAD PHILPS SCREW	PART </td <td>4</td>	4
9	95468	PLASTIC SURF-MOUNT HINGE	PART	2
10	92420A	MAGNETIC CATCH W STRIKES	PART	2

▲ BLUE REMOVABLE LOCTITE



A Touch of Brass
A TOUCH OF BRASS INC

13832 MAGNOLIA AVE.
CHINO, CA 91710-7027
909-464-1000

T-MINI TUG W 5X5 CRADLE

DWG. NO. **09970**

REV 1

UNLESS OTHERWISE SPECIFIED, DIMENSIONS ARE IN INCHES.

SCALE 0.325

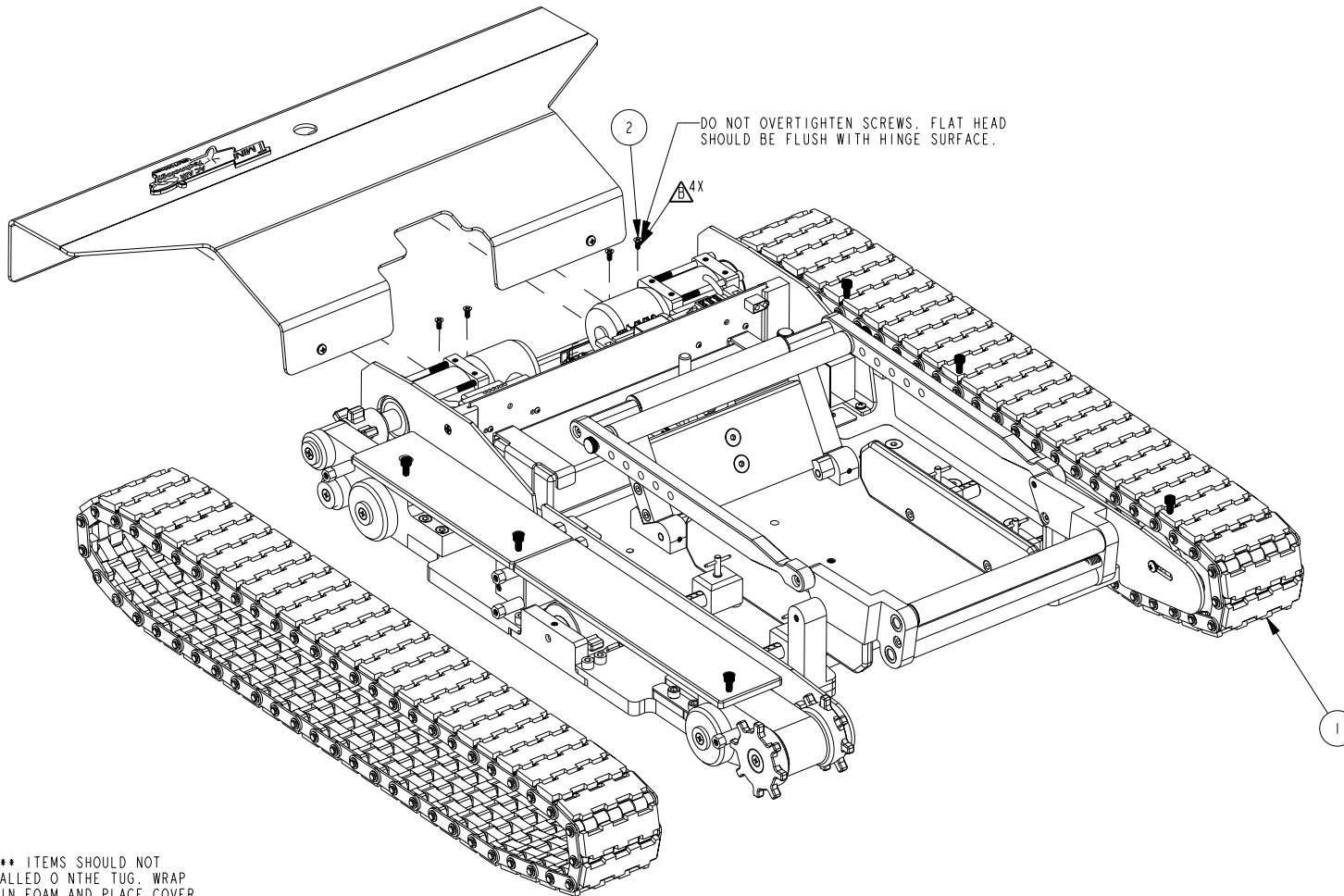
APPR.

SHEET 6 OF 8

△ BLUE REMOVABLE LOCTITE

BILL OF MATERIAL (CURRENT LEVEL)

ITEM	PT/ASSY	DESCRIPTION	TYPE	QTY.
1	09962	T. 75 3" TRACK ASSEMBLY	ASSEMBLY	2
2	95049	6-32 X 5/16"L SS FT HD PHIL	PART	10



STARRED ITEMS SHOULD NOT BE INSTALLED ON THE TUG. WRAP COVERS IN FOAM AND PLACE COVER SCREWS IN A SMALL BAG. PLACE ALL ITEMS IN SHIPPING BOX. CUSTOMER WILL INSTALL.

A Touch of Brass
A TOUCH OF BRASS INC

13832 MAGNOLIA AVE.
CHINO, CA 91710-7027
909-464-1000

T-MINI TUG W 5X5 CRADLE

DWG. NO. **09970**

REV 1

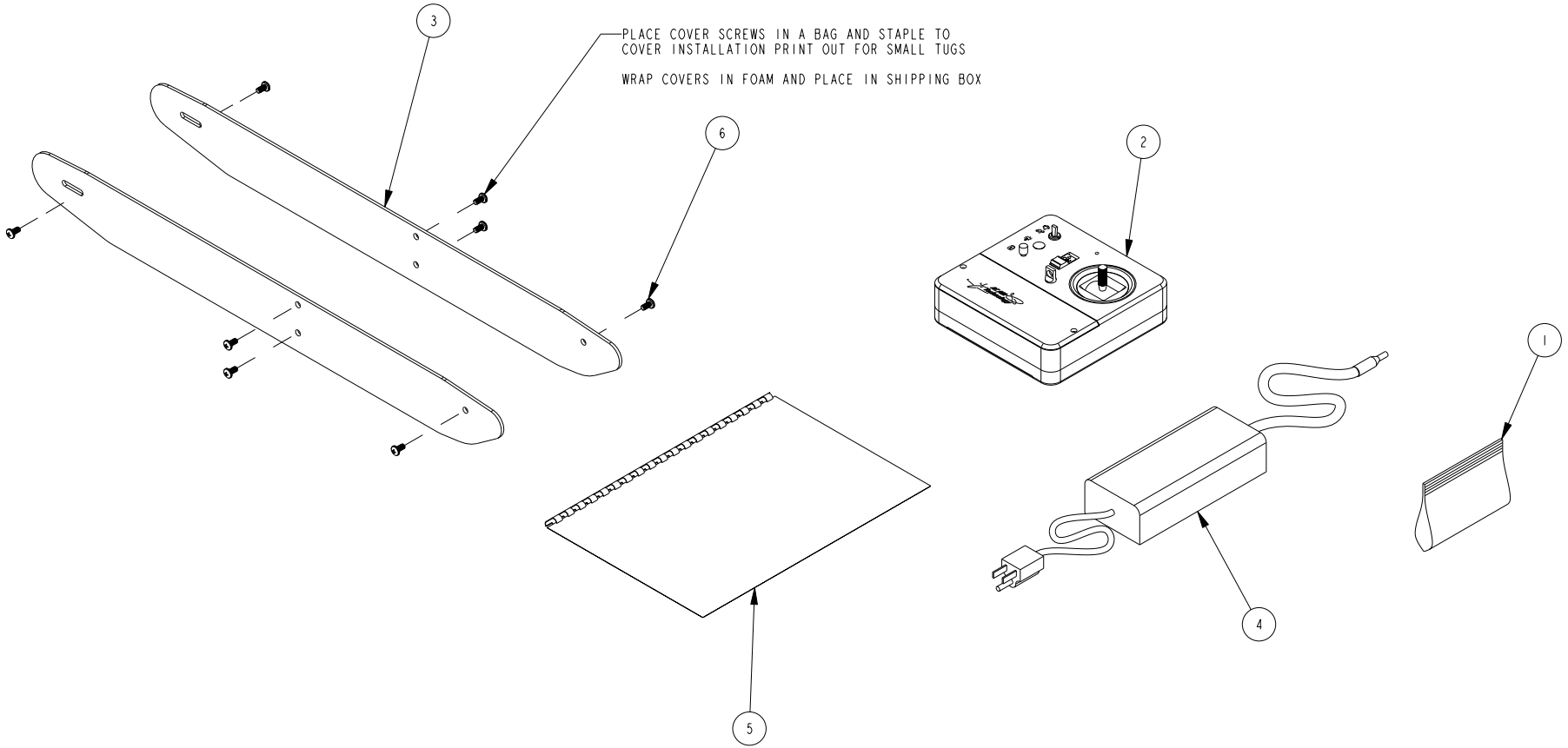
UNLESS OTHERWISE SPECIFIED, DIMENSIONS ARE IN INCHES.

SCALE 0.180

APPR.

SHEET 7 OF 8

BILL OF MATERIAL (CURRENT LEVEL)				
ITEM	PT/ASSY	DESCRIPTION	TYPE	QTY.
1	09864	3" TRACK SPARE PARTS BAG	PART	1
2	09964	TIX2/TIV2 RADIO NO LIGHTS 2017	ASSEMBLY	1
3	94051	T.75 OUTSIDE COVER	PART	2
4	95196	TUG CHARGER	PART	1
5	95474	T.75 TUG OWNERS MANUAL	PART	1
6	95624	10-32 X 3/8" PHILLIPS SCREW, THREADED	PHENOLIC	8



A Touch of Brass
A TOUCH OF BRASS INC

13832 MAGNOLIA AVE.
CHINO, CA 91710-7027
909-464-1000

T-MINI TUG W 5X5 CRADLE

DWG. NO. 09970

REV 1

UNLESS OTHERWISE SPECIFIED, DIMENSIONS ARE IN INCHES.

SCALE 0.165

APPR.

SHEET 8 OF 8