

BILL OF MATERIAL (CURRENT LEVEL)

ITEM	PT/ASSY	DESCRIPTION	TYPE	QTY.
1	22573	T2 LIFTER ARM	PART	1
2	22574	T2 ARM BLOCK	PART	1
3	22576	T2 ARM SAFETY	PART	1
4	22577	T2 LIFTER GUIDE	PART	1
5	22578	T2 SERVO MOUNT	PART	1
6	22609	LAZY SUSAN BLOCK	PART	1
7	22610	LAZY SUSAN ROLLER	PART	1
8	22815	T2 LATCH PLATE	PART	1
9	23793	CRADLE LOCK PIN	PART	1
10	23805	T2 MAIN LATCH LIFTER	PART	1
11	92200	.30 OD. X .50 LG SPRING	PART	1
12	92201	.125 DIA. X .625 LG ROLL PIN	PART	1
13	95007	3/8"-16 X 1.75"L SOCKET CAP	PART	2
14	95015	STAINLESS WASHER, .040" THICK	PART	1
15	95017	1/4"-20 X 1/2" SOCKET CAP	PART	1
16	95025	1/2" BALL BEARING	PART	2
17	95034	10-24 X 5/8" SOCKET CAP	PART	3
18	95151	3/16" SHOULDER SCREW, .5"L	PART	1
19	95159	.408" 90 DEG, LH TORSION SPR.	PART	1
20	95160	.5" X .3"OD COMP. SPRING	PART	1
21	95161	3/16" X .75"L SS UNDERSIZE PIN	PART	1
22	95162	10-24 X .5" LOW SOCKET CAP	PART	2
23	95174	10-24 X 1/2" SOCKET CAP	PART	3
24	95187	10-32 X .5"L SS SET SCREW	PART	1
25	95392	STANDARD SERVO WP-23KG	PART	1
26	97021	6-32X3/8"L PHILPS SCREW	PART	4
27	SRV_95037	SERVO HORN SCREW	PART	1



13832 MAGNOLIA AVE.
CHINO, CA 91710-7027
909-464-1000

T2 DUAL LIFTER LATCH ASSMEBLY

DWG. NO. **09969**

REV **E**

UNLESS OTHERWISE SPECIFIED, DIMENSIONS ARE IN INCHES.

SCALE 0.500

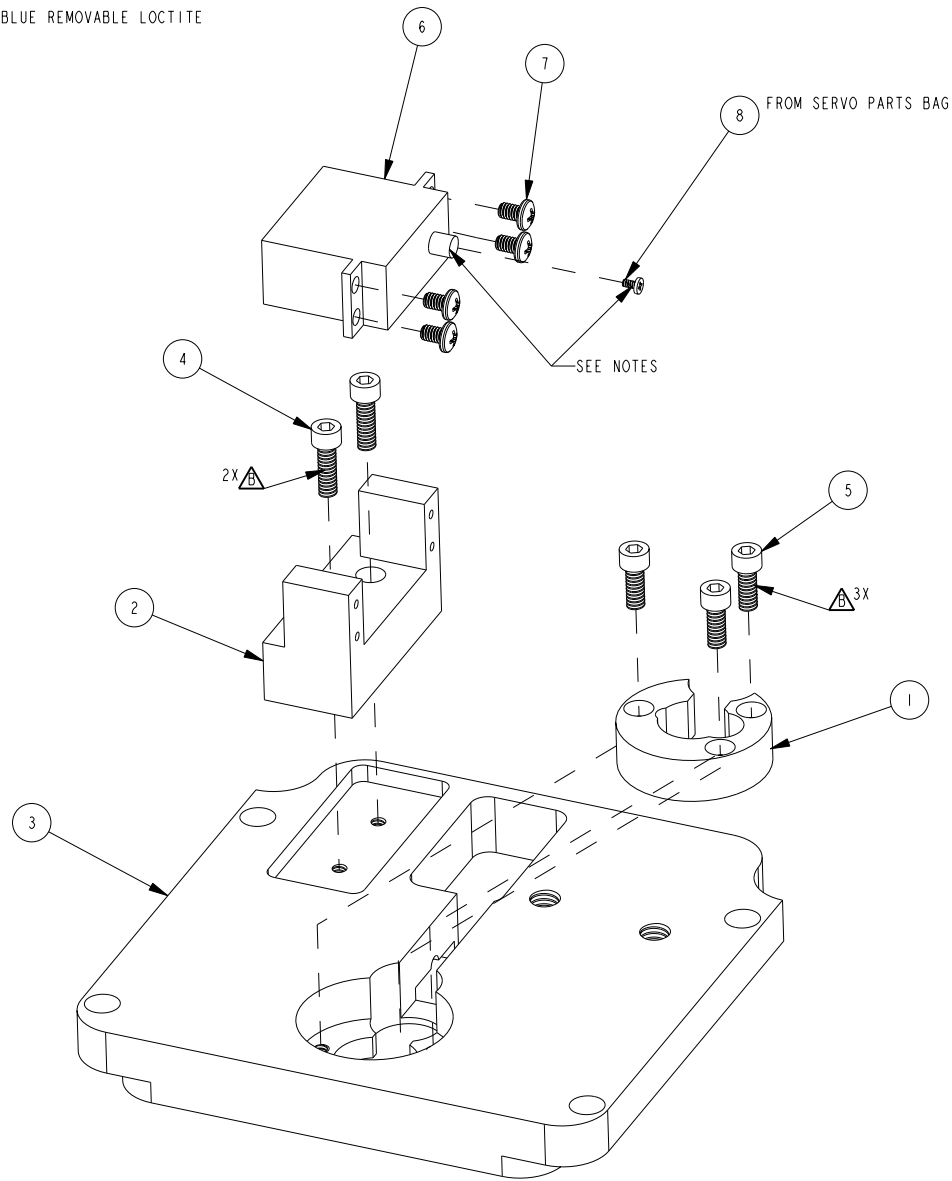
APPR.

SHEET 1 OF 4

▲ BLUE REMOVABLE LOCTITE

BILL OF MATERIAL (CURRENT LEVEL)

ITEM	PT/ASSY	DESCRIPTION	TYPE	QTY.
1	22577	T2 LIFTER GUIDE	PART	1
2	22578	T2 SERVO MOUNT	PART	1
3	22815	T2 LATCH PLATE	PART	1
4	95034	10-24 X 5/8" SOCKET CAP	PART	2
5	95174	10-24 X 1/2" SOCKET CAP	PART	3
6	95392	STANDARD SERVO WP-23KG	PART	1
7	97021	6-32X3/8"L PHILPS SCREW	PART	4
8	SRV_95037	SERVO HORN SCREW	PART	1



NOTE:
 1. SERVO CAM WILL BE PROVIDED ON FINAL TUG ASSEMBLY.
 2. SERVO SCREW (SRV_95037) SHOULD BE BE SCREWED INTO SERVO MOTOR FOR LATER ASSEMBLY.



13832 MAGNOLIA AVE.
 CHINO, CA 91710-7027
 909-464-1000

T2 DUAL LIFTER LATCH ASSMEBLY

DWG. NO. **09969**

REV
 E

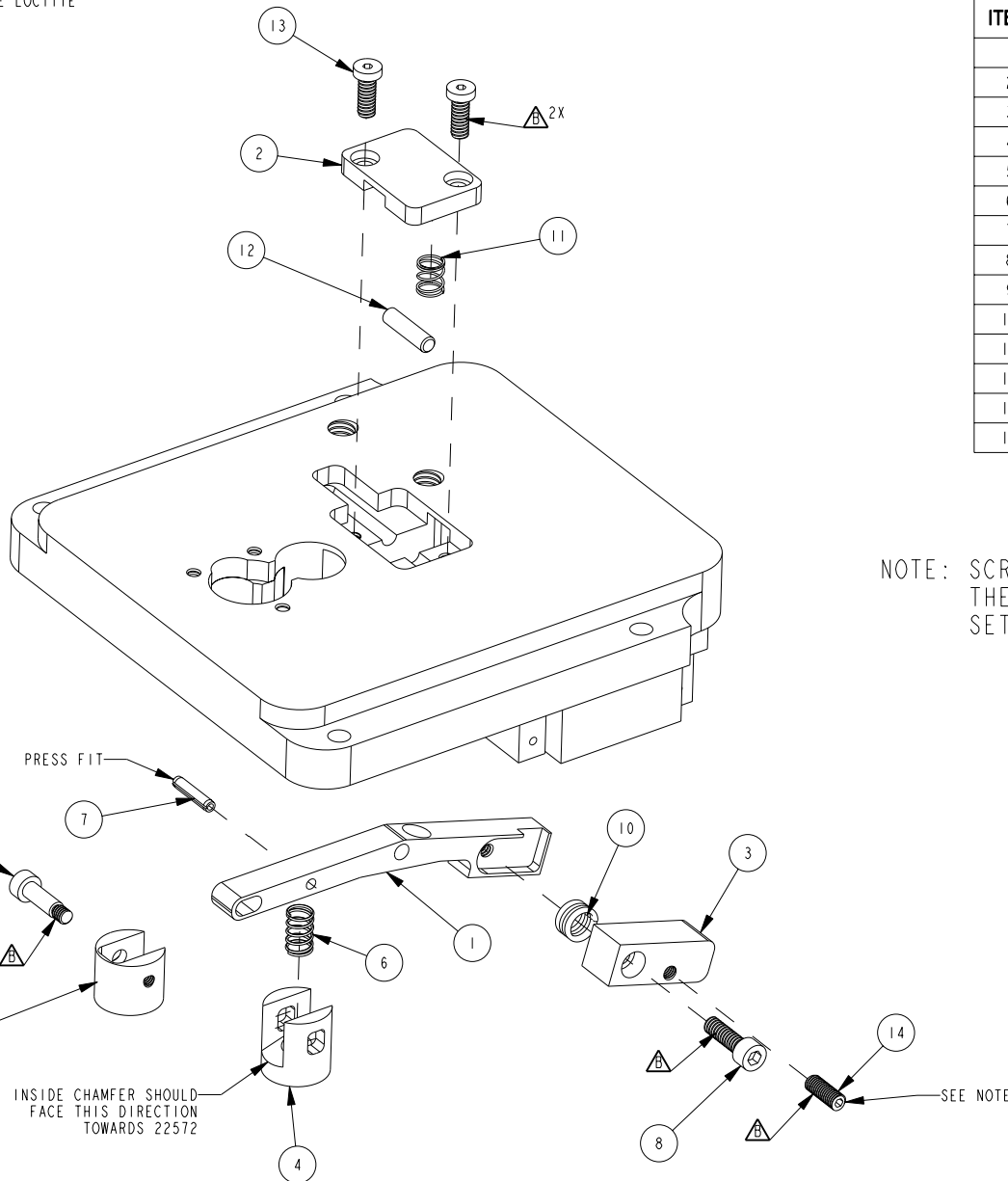
UNLESS OTHERWISE SPECIFIED, DIMENSIONS ARE IN INCHES.

SCALE 0.500

APPR.

SHEET 2 OF 4

▲ BLUE REMOVABLE LOCTITE



BILL OF MATERIAL (CURRENT LEVEL)

ITEM	PT/ASSY	DESCRIPTION	TYPE	QTY.
1	22573	T2 LIFTER ARM	PART	1
2	22574	T2 ARM BLOCK	PART	1
3	22576	T2 ARM SAFETY	PART	1
4	23793	CRADLE LOCK PIN	PART	1
5	23805	T2 MAIN LATCH LIFTER	PART	1
6	92200	.30 OD. X .50 LG SPRING	PART	1
7	92201	.125 DIA. X .625 LG ROLL PIN	PART	1
8	95034	10-24 X 5/8" SOCKET CAP	PART	3
9	95151	3/16" SHOULDER SCREW, .5"L	PART	1
10	95159	.408" 90 DEG, LH TORSION SPR.	PART	1
11	95160	.5" X .3"OD COMP. SPRING	PART	1
12	95161	3/16" X .75"L SS UNDERSIZE PIN	PART	1
13	95162	10-24 X .5" LOW SOCKET CAP	PART	2
14	95187	10-32 X .5"L SS SET SCREW	PART	1

NOTE: SCREW IN SET SCREW (95187) SO THAT THE ARM SAFETY (22576) STILL MOVES FREELY. SET SCREW ONLY USED AS A STOP.



13832 MAGNOLIA AVE.
CHINO, CA 91710-7027
909-464-1000

T2 DUAL LIFTER LATCH ASSMEBLY

DWG. NO. **09969**

REV **E**

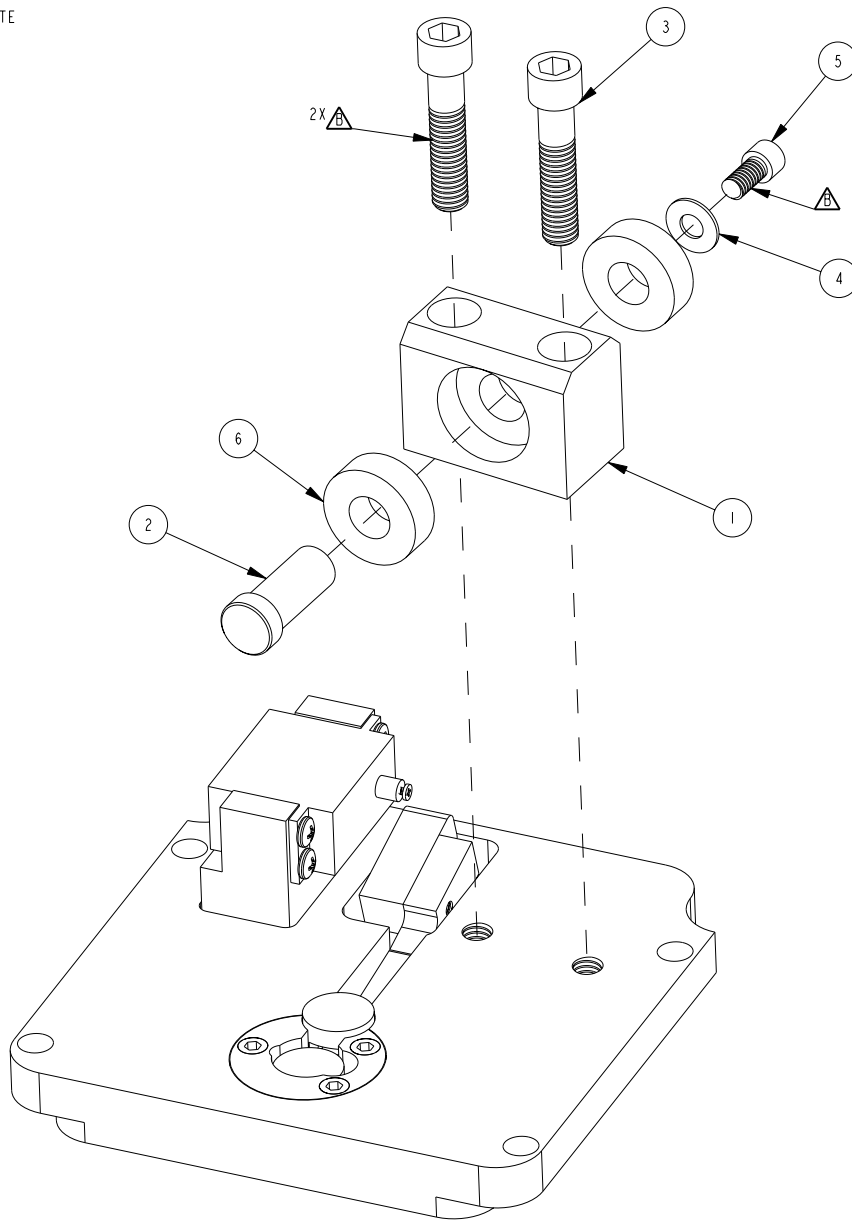
UNLESS OTHERWISE SPECIFIED, DIMENSIONS ARE IN INCHES.

SCALE 0.500

APPR.

SHEET 3 OF 4

▲ BLUE REMOVABLE LOCTITE



BILL OF MATERIAL (CURRENT LEVEL)

ITEM	PT/ASSY	DESCRIPTION	TYPE	QTY.
1	22609	LAZY SUSAN BLOCK	PART	1
2	22610	LAZY SUSAN ROLLER	PART	1
3	95007	3/8"-16 X 1.75"L SOCKET CAP	PART	2
4	95015	STAINLESS WASHER, .040" THICK	PART	1
5	95017	1/4"-20 X 1/2" SOCKET CAP	PART	1
6	95025	1/2" BALL BEARING	PART	2



13832 MAGNOLIA AVE.
CHINO, CA 91710-7027
909-464-1000

T2 DUAL LIFTER LATCH ASSMEBLY

DWG. NO. **09969**

REV
E

UNLESS OTHERWISE SPECIFIED, DIMENSIONS ARE IN INCHES.

SCALE 0.500

APPR.

SHEET 4 OF 4