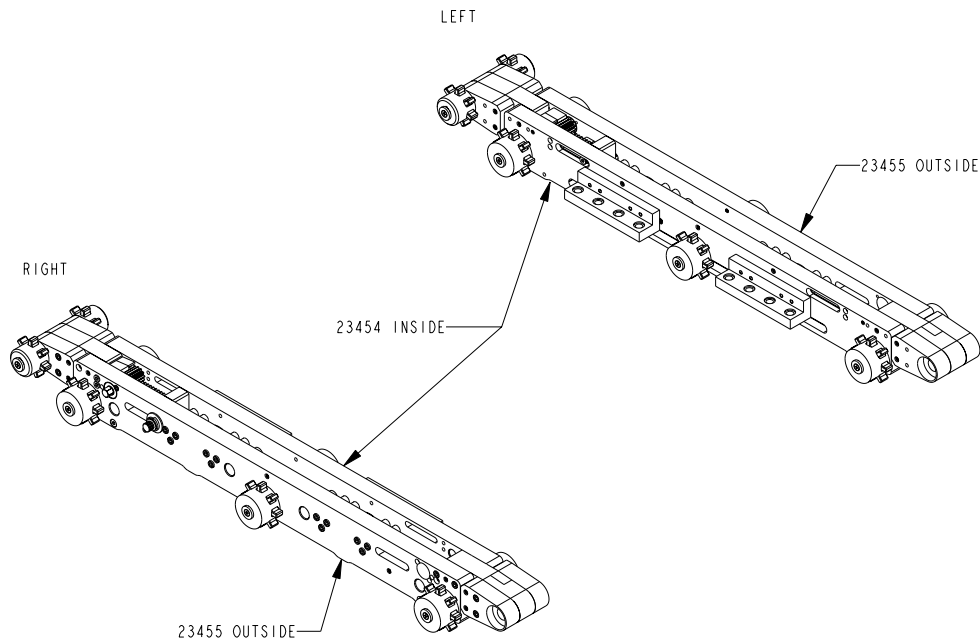


NOTE:

1. THE RAIL ASSEMBLY SHOULD YIELD A LEFT AND RIGHT ASSEMBLY

REFER TO ASSEMBLY VIEW BELOW:

PART 23455 (OUTSIDE PLATE) SHOULD BE ON THE OUTSIDE  
 PART 23454 (INSIDE PLATE) SHOULD BE ON THE INSIDE



**BILL OF MATERIAL (CURRENT LEVEL)**

ITEM	PT/ASSY	DESCRIPTION	TYPE	QTY.
1	22422	TUG SHAFT RETAINER	PART	16
2	22531	T2 SPROCKET	PART	12
3	22603	T2 AXLE	PART	8
4	23454	T2 INSIDE RAIL PLATE	PART	2
5	23455	T2 OUTSIDE RAIL PLATE	PART	2
6	23456	T2 FIXED SLIDER	PART	2
7	23457	T2 ADJ SLIDER	PART	2
8	23459	T2 ALUM RAIL SPACER	PART	24
9	23461	T2 RAIL ROLLER	PART	4
10	23463	T2 ROLLER SHAFT	PART	4
11	23467	T2 PINION	PART	2
12	23468	T2 RACK	PART	2
13	23471	T2 RAIL SUPPORT	PART	4
14	23552	T2 STAINLESS BUSHING	PART	2
15	23559	7 TOOTH T2 DRIVE SPROCKET	PART	4
16	23560	RAIL DRIVE END C'BORE	PART	4
17	23561	RAIL DRIVE END C'BORE	PART	4
18	23562	FIXED SLIDER DRIVE END	PART	2
19	23862	RAIL LOCKING BLOCK INSERT	PART	2
20	23863	RAIL LOCKING BLOCK GUIDE	PART	2
21	23864	RAIL LOCKING BLOCK SPACER	PART	2
22	91179	.510"ID X .605"OD X .04" WASHER	PART	2
23	91225	7/16" SS FLAT WASHER	PART	2
24	91226	7/16" SS LOCK WASHER	PART	2
25	92201	1/8" X 5/8" ROLL PIN	PART	1
26	92206	7/16"-14 X 2" 12 PT BOLT	PART	2
27	95026	1/8" SQ. X .400"L KEY STOCK	PART	16
28	95092	10-32 X 3/8" FLAT HEAD	PART	16
29	95154	5/16" X 2"L SHOULDER SCREW	PART	2
30	95179	5/8" BALL BEARING	PART	20
31	95273	1/4"-20 X 1.75"L SOCKET CAP	PART	4
32	95287	0.24" X 0.5" COMP SPRING	PART	2
33	95308	BALL BEARING 1-3/8" OD 5/8" SHAFT	ASSEMBLY	4
34	95321	10-24 X 3/8"L SOCKET CAP SCREW	PART	4
35	95375	5/16"DIA X 3/4" L SHOULDER BOLT	PART	2
36	95376	1/4"-20 X 3.5" L CAP SCREW	PART	24
37	95378	1/4"-20 X 2.5" L CAP SCREW	PART	12

*A Touch of Brass*  
 A TOUCH OF BRASS INC

13832 MAGNOLIA AVE.  
 CHINO, CA 91710-7027  
 909-464-1000

(PAIR) T2 LEVER ADJ RAIL ASM

DWG. NO. 09857

REV 1

UNLESS OTHERWISE SPECIFIED, DIMENSIONS ARE IN INCHES.

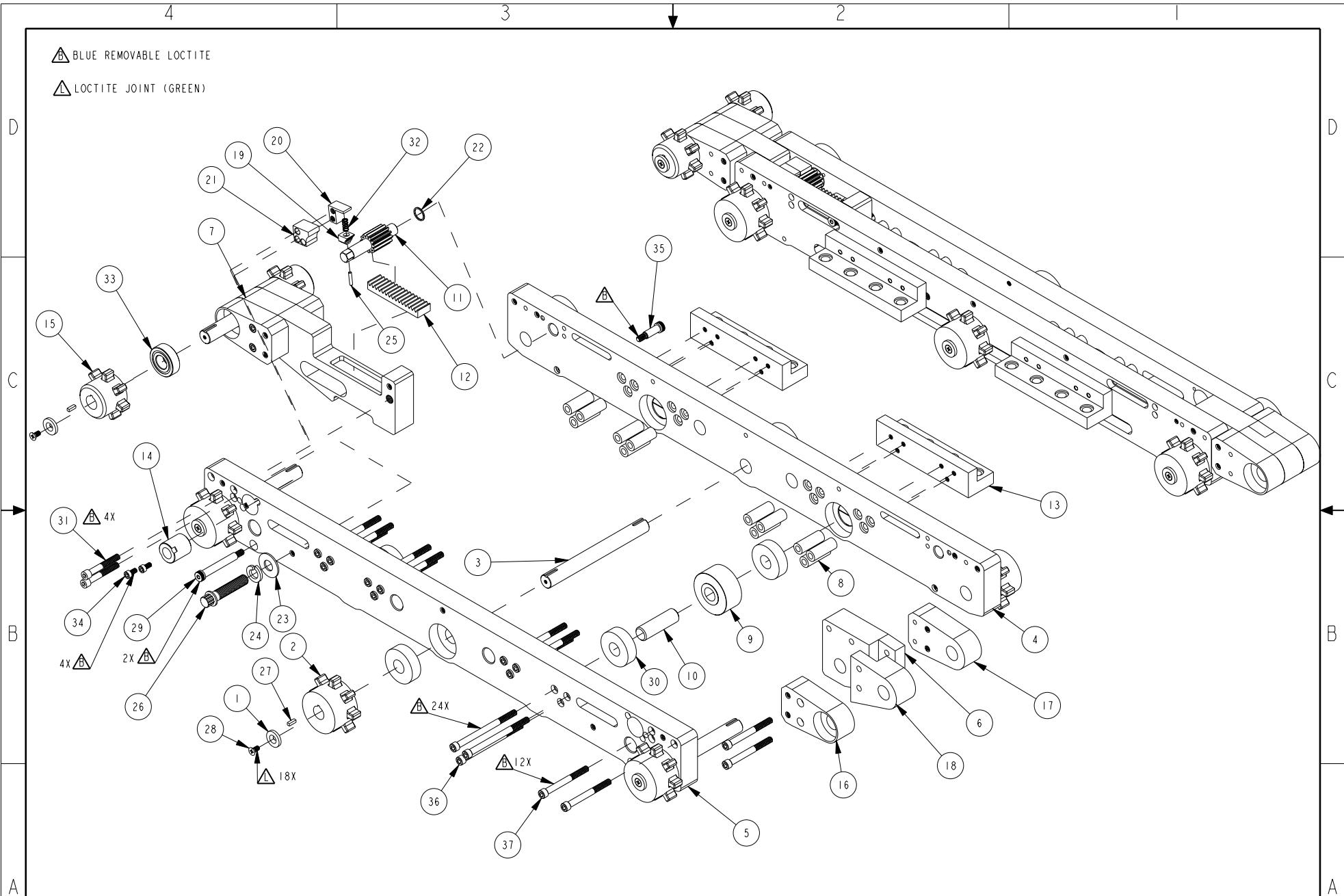
SCALE 0.100

APPR.

SHEET 1 OF 2

▲ BLUE REMOVABLE LOCTITE

▲ LOCTITE JOINT (GREEN)



*A Touch of Brass*  
A TOUCH OF BRASS INC

13832 MAGNOLIA AVE.  
CHINO, CA 91710-7027  
909-464-1000

(PAIR) T2 LEVER ADJ RAIL ASM

DWG. NO. 09857

REV 1

UNLESS OTHERWISE SPECIFIED, DIMENSIONS ARE IN INCHES.

SCALE 0.180

APPR.

SHEET 2 OF 2