

4

3

2

D

D

C

C

B

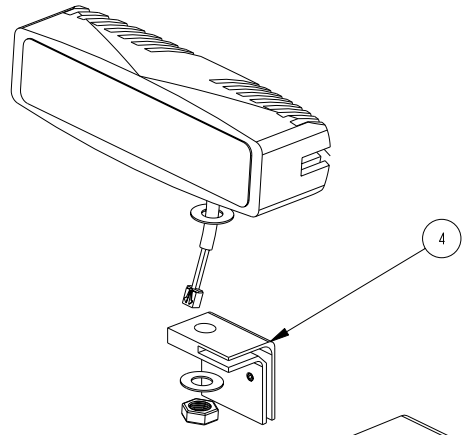
B

A

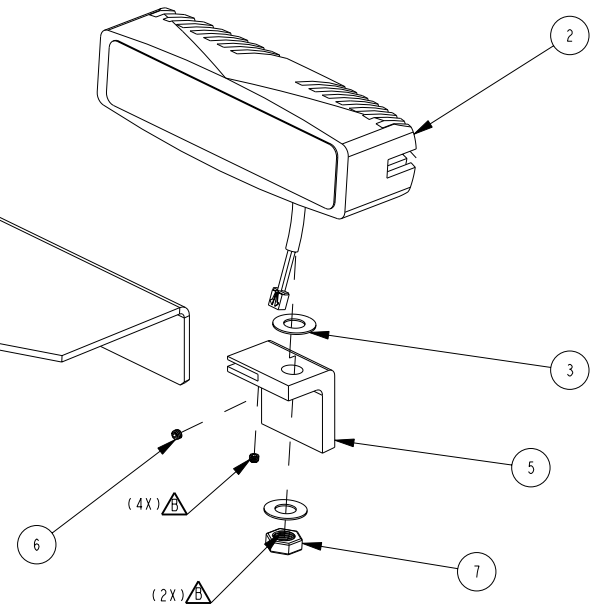
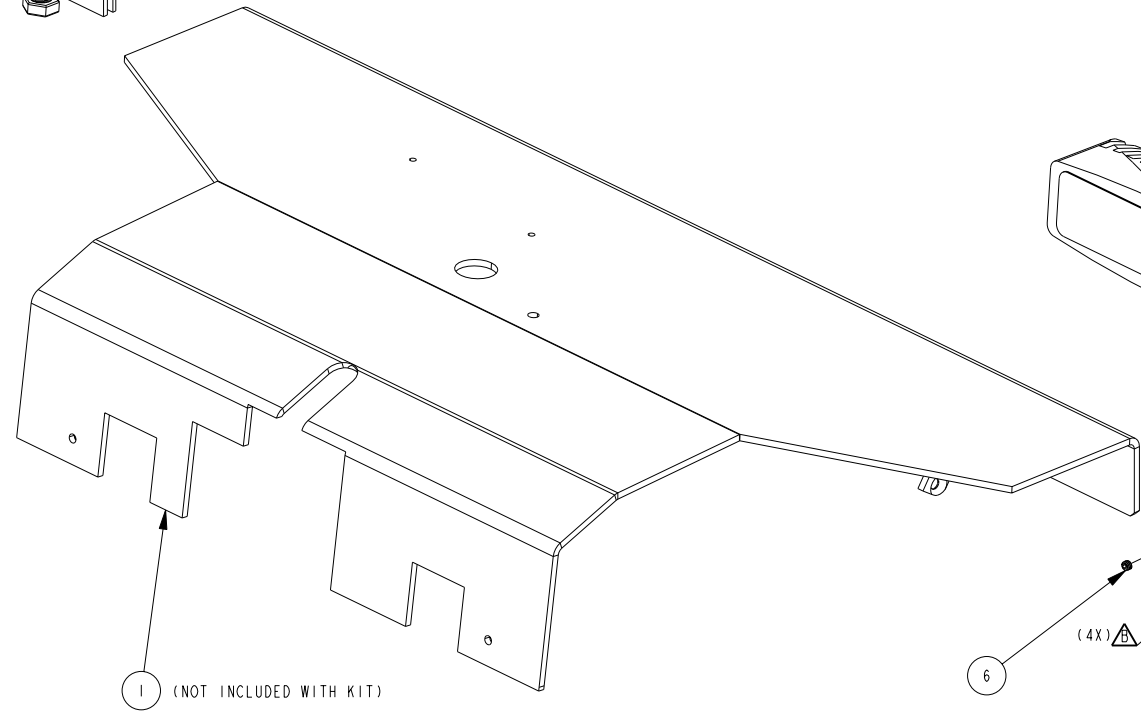
A

BILL OF MATERIAL (CURRENT LEVEL)

ITEM	PT/ASSY	DESCRIPTION	TYPE	QTY.
1	05463	TUG COVER (NOT INCLUDED)	ASSEMBLY	1
2	09538	LED LIGHT	ASSEMBLY	2
3	22423	TUG ROLLER SPACER	PART	4
4	23452	LIGHT SUPPORT RIGHT	PART	1
5	23453	LIGHT SUPPORT LEFT	PART	1
6	92524	8-32"x.1" SET SCREW	PART	4
7	95413	3/8"-24 HEX NUT	PART	2



BLUE REMOVABLE LOCTITE



1 (NOT INCLUDED WITH KIT)

(4X)

(2X)

AC AIR TECHNOLOGY INC

SMALL TUG DUAL LIGHTS

DWG. NO. **09725**

REV **G**

UNLESS OTHERWISE SPECIFIED, DIMENSIONS ARE IN INCHES.

13832 MAGNOLIA AVE. - CHINO, CA 91710 - (855)884-7222

SCALE 0.300

APPR.

SHEET 1 OF 1

4

3

2