

BILL OF MATERIAL (CURRENT LEVEL)

ITEM	PT/ASSY	DESCRIPTION	TYPE	QTY.
1	02528	CABLE CLAMP KIT	BULK ITEM	1
2	09029	T1.7 LOGO PLATE W STUDS	ASSEMBLY	1
3	09590	T2V2 LAZY SUSAN	ASSEMBLY	1
4	09592	T1.7 RAIL ASSEMBLY	ASSEMBLY	1
5	09593	T1.7 SHROUD-BRACKET ASM	ASSEMBLY	1
6	09599	T1.7 GEARBOX_MOTOR ASSEMBLY	ASSEMBLY	2
7	09602	T1.7 TRACK ASSEMBLY	ASSEMBLY	2
8	09817	4" SPARE PARTS KIT	PART	1
9	09829	T2 ALL-IN-ONE PC BOARD	PART	1
10	09888	T2V2 BATTERY COVER ASM	ASSEMBLY	2
11	09965	T2V2/T1.5 V2 RADIO W LIGHTS 2017	ASSEMBLY	1
12	09969	T2 DUAL LIFTER LATCH ASSMEBLY	ASSEMBLY	1
13	22422	TUG SHAFT RETAINER	PART	2
14	22596	T2 SERVO CAM	PART	1
15	22604	T2 TRACK STANDOFF	PART	26
16	22673	T1.5 TRACK PIN	PART	2
17	22833	T1.5 FRONT STOP	PART	2
18	23145	COVER MOUNT BAR	PART	2
19	23278	GPU POWER BUTTON	ASSEMBLY	1
20	23466	T2 MOTOR PLATE	PART	2
21	23559	7 TOOTH T2 DRIVE SPROCKET	PART	4
22	23596	MAGNET HOLDER	PART	4
23	23757	T1.5V2 PCB SUPPORT	PART	2
24	23984	T1.7 MAIN PLATE	PART	1
25	23987	T1.7 MOTOR SPACER	PART	2
26	24032	T1.7 TRIM BAR	PART	1
27	92039	PUSH MOUNT CABLE TIE	PART	8
28	92266	10-24 X 7/8" L SS CAP SCREW	PART	2
29	92361	4-40X5/16"L FLAT HD SCW, PHIL	PART	2
30	92524	8-32 UNC X 1/8 SET SCREW	PART	2
31	92542	1/4-20 X .500"L SET SCREW SS	PART	26
32	92603	T2 PUSH-RELEASE CHARGING PORT	PART	1
33	92659	T1.7 SHOUD END RIGHT	PART	1
34	92660	T1.7 SHOUD END LEFT	PART	1
35	93549	T1.7 MOTOR COVER	PART	2

36	95003	1/4"-20 X 3/4" FLAT HEAD	PART	6
37	95017	1/4"-20 X 1/2" SOCKET CAP	PART	16
38	95026	1/8" SQ. X .400"L KEY STOCK	PART	8
39	95049	6-32 X 5/16"L SS FT HD PHIL	PART	4
40	95073	10-32 X 1/4"L FLAT HEAD SCREW	PART	8
41	95092	10-32 X 3/8" FLAT HEAD	PART	2
42	95158	1/4" X .125" NYLON SPACER	PART	10
43	95175	1/4"-20 X 3/8"L PAN HEAD	PART	6
44	95234	1/4"-20 X 5/8" LOW HEAD SOCKET	PART	22
45	95275	1/4"-20 X 5/8" L PAN HEAD	PART	2
46	95294	ROTOCLIP DTX-4	PART	4
47	95304	1/4"-20 X .875 SOCKET HEAD	PART	12
48	95308	BALL BEARING 1-3/8" OD 5/8" SHAFT	ASSEMBLY	4
49	95366	WIRE EXTENSION CLIP	BULK ITEM	1
50	95390	8-32 X 5/8" L PAN HEAD	PART	4
51	95394	29.2V POWER SUPPLY 7A	PART	1
52	95415	1/4"-20 X 1/2" L PAN HEAD	PART	4
53	95492	T1.7 OUTSIDE COVER	PART	2
54	95493	T1.7 INSIDE COVER	PART	2
55	95494	T1.7 FRONT END COVER	PART	4
56	95495	T1.7 OWNERS MANUAL	PART	1
57	95503	24V 20AH BATTERY	PART	2
58	95553	SPEED CONTROL 2020	PART	4
59	95554	#4-24 THRD-FORM SCREW FOR PLASTIC	PART	16
60	95624	10-32 X 3/8" PHILLIPS SCREW, THREAD LOCKWRT	PART	26
61	97021	6-32X3/8"L PHILIPS SCREW	PART	4
62	92420A	MAGNETIC CATCH W STRIKES	PART	4

A Touch of Brass
A TOUCH OF BRASS INC

13832 MAGNOLIA AVE.
CHINO, CA 91710-7027
909-464-1000

T1.7 TUG ASSEMBLY

DWG. NO. **09601**

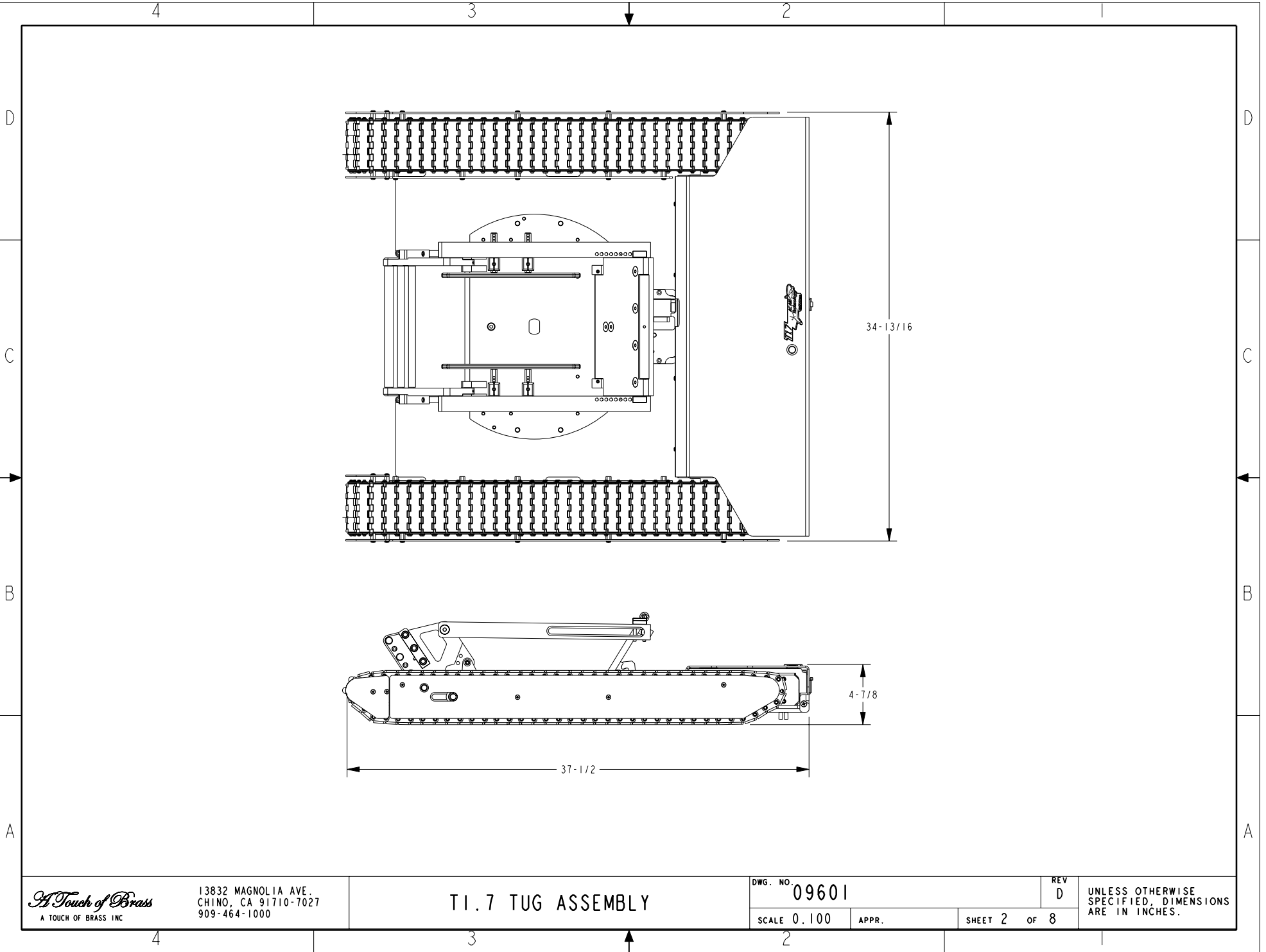
REV **D**

UNLESS OTHERWISE SPECIFIED, DIMENSIONS ARE IN INCHES.

SCALE **0.027**

APPR.

SHEET **1** OF **8**



A Touch of Brass
A TOUCH OF BRASS INC

13832 MAGNOLIA AVE.
CHINO, CA 91710-7027
909-464-1000

TI.7 TUG ASSEMBLY

DWG. NO. 09601

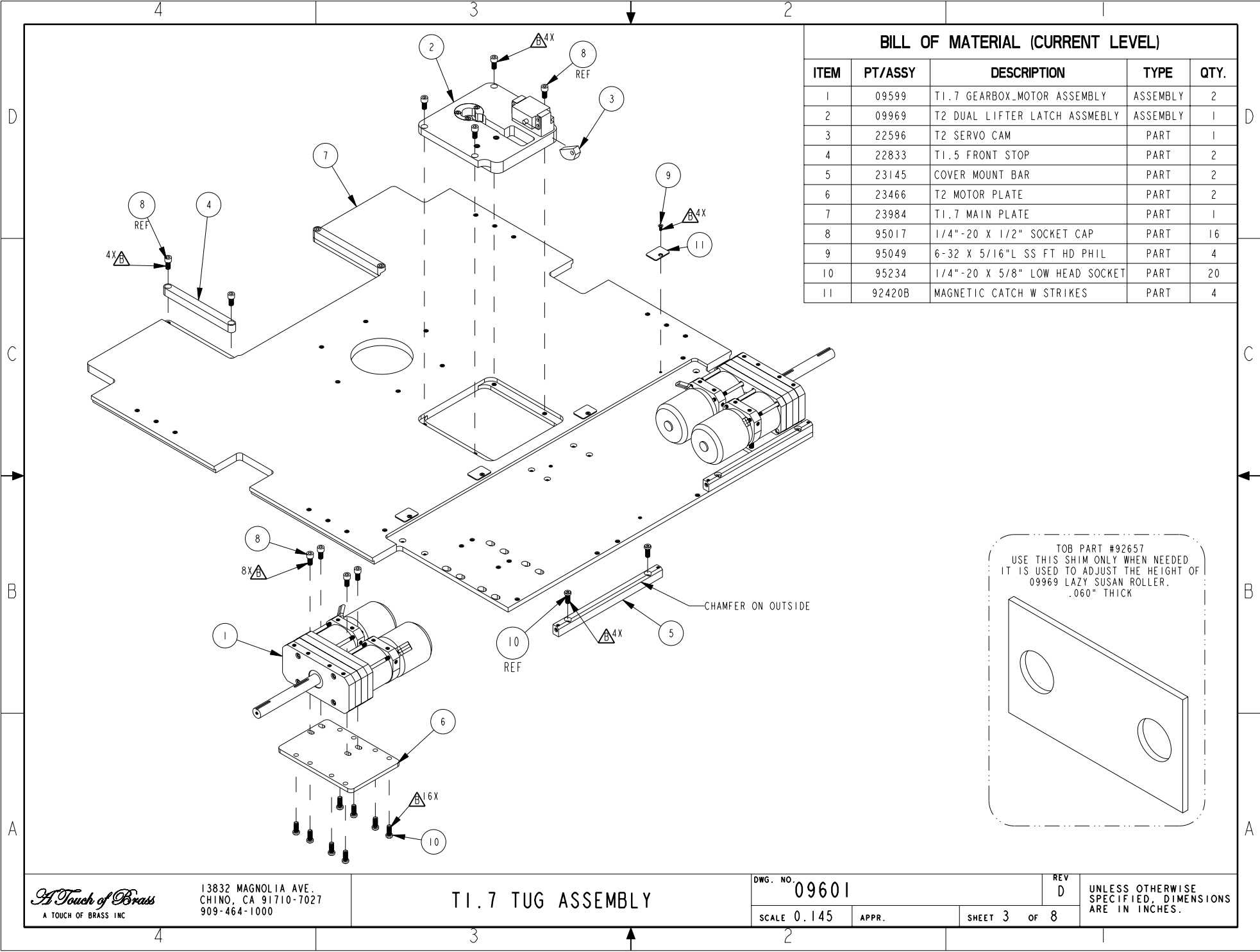
REV D

UNLESS OTHERWISE SPECIFIED, DIMENSIONS ARE IN INCHES.

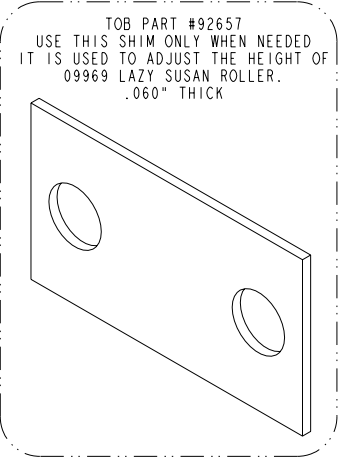
SCALE 0.100

APPR.

SHEET 2 OF 8



BILL OF MATERIAL (CURRENT LEVEL)				
ITEM	PT/ASSY	DESCRIPTION	TYPE	QTY.
1	09599	T1.7 GEARBOX_MOTOR ASSEMBLY	ASSEMBLY	2
2	09969	T2 DUAL LIFTER LATCH ASSMEBLY	ASSEMBLY	1
3	22596	T2 SERVO CAM	PART	1
4	22833	T1.5 FRONT STOP	PART	2
5	23145	COVER MOUNT BAR	PART	2
6	23466	T2 MOTOR PLATE	PART	2
7	23984	T1.7 MAIN PLATE	PART	1
8	95017	1/4"-20 X 1/2" SOCKET CAP	PART	16
9	95049	6-32 X 5/16"L SS FT HD PHIL	PART	4
10	95234	1/4"-20 X 5/8" LOW HEAD SOCKET	PART	20
11	92420B	MAGNETIC CATCH W STRIKES	PART	4



A Touch of Brass
 A TOUCH OF BRASS INC
 13832 MAGNOLIA AVE.
 CHINO, CA 91710-7027
 909-464-1000

T1.7 TUG ASSEMBLY

DWG. NO. 09601		REV D	UNLESS OTHERWISE SPECIFIED, DIMENSIONS ARE IN INCHES.
SCALE 0.145	APPR.	SHEET 3 OF 8	

▲ BLUE REMOVABLE LOCTITE

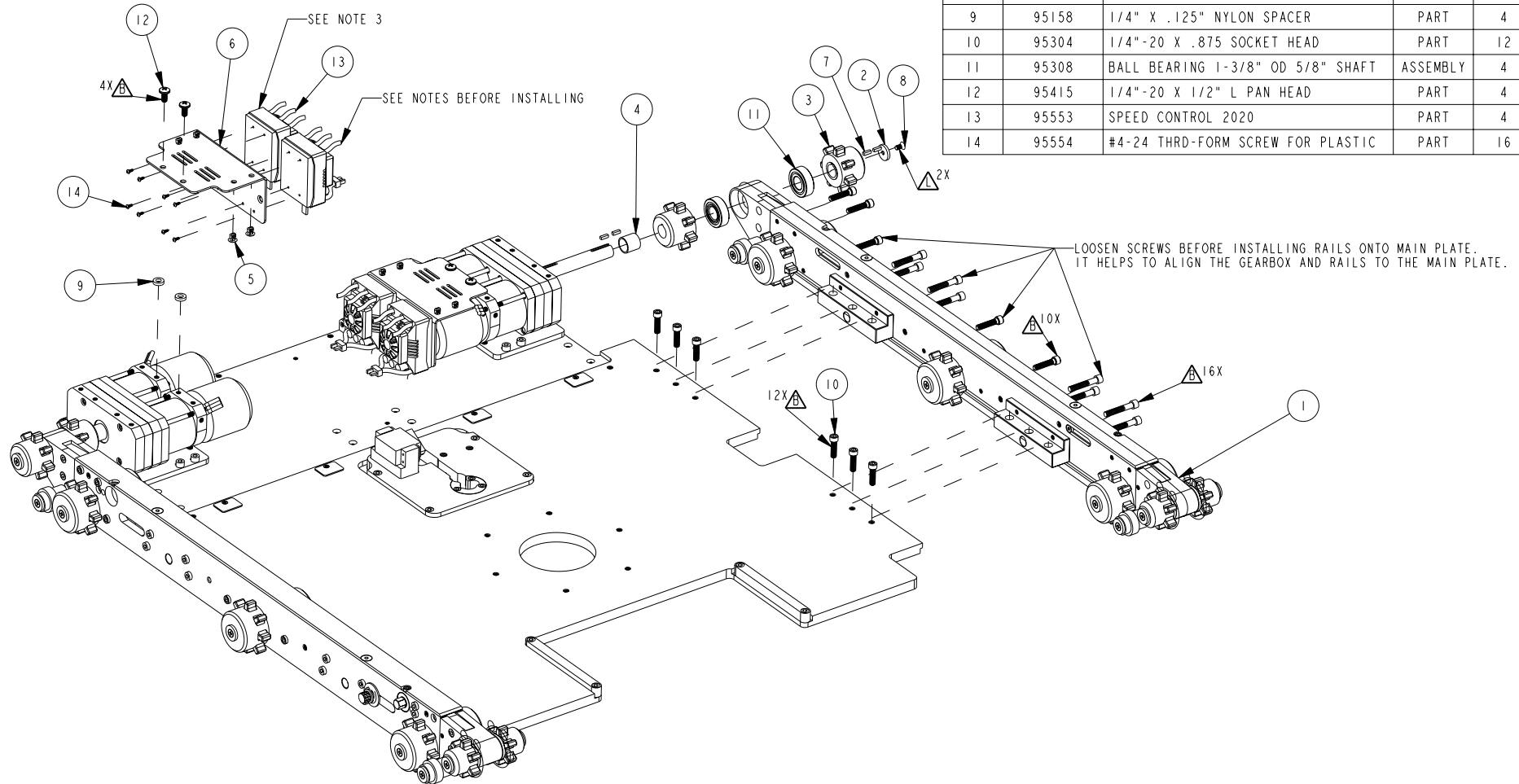
▲ LOCTITE JOINT (GREEN)

NOTES:

1. INSTALL THE SPEED CONTROLS ON TO THE MOTOR COVER BEFORE INSTALLING ON TUG.
2. ADD HOT GLUE TO 95553 SPEED CONTROL HOLES BEFORE TIGHTENING 95554 SCREWS.
3. USE 02528 (CABLE CLAMP KIT) TO SECURE 4X 95563 (SPEED CONTROLS) ASK ENGINEERING FOR INSTALL. INSTRUCTIONS.

BILL OF MATERIAL (CURRENT LEVEL)

ITEM	PT/ASSY	DESCRIPTION	TYPE	QTY.
1	09592	TI.7 RAIL ASSEMBLY	ASSEMBLY	1
2	22422	TUG SHAFT RETAINER	PART	2
3	23559	7 TOOTH T2 DRIVE SPROCKET	PART	4
4	23987	TI.7 MOTOR SPACER	PART	2
5	92039	PUSH MOUNT CABLE TIE	PART	8
6	93549	TI.7 MOTOR COVER	PART	2
7	95026	1/8" SQ. X .400"L KEY STOCK	PART	8
8	95092	10-32 X 3/8" FLAT HEAD	PART	2
9	95158	1/4" X .125" NYLON SPACER	PART	4
10	95304	1/4"-20 X .875 SOCKET HEAD	PART	12
11	95308	BALL BEARING 1-3/8" OD 5/8" SHAFT	ASSEMBLY	4
12	95415	1/4"-20 X 1/2" L PAN HEAD	PART	4
13	95553	SPEED CONTROL 2020	PART	4
14	95554	#4-24 THRD-FORM SCREW FOR PLASTIC	PART	16



A Touch of Brass
A TOUCH OF BRASS INC

13832 MAGNOLIA AVE.
CHINO, CA 91710-7027
909-464-1000

TI.7 TUG ASSEMBLY

DWG. NO. 09601

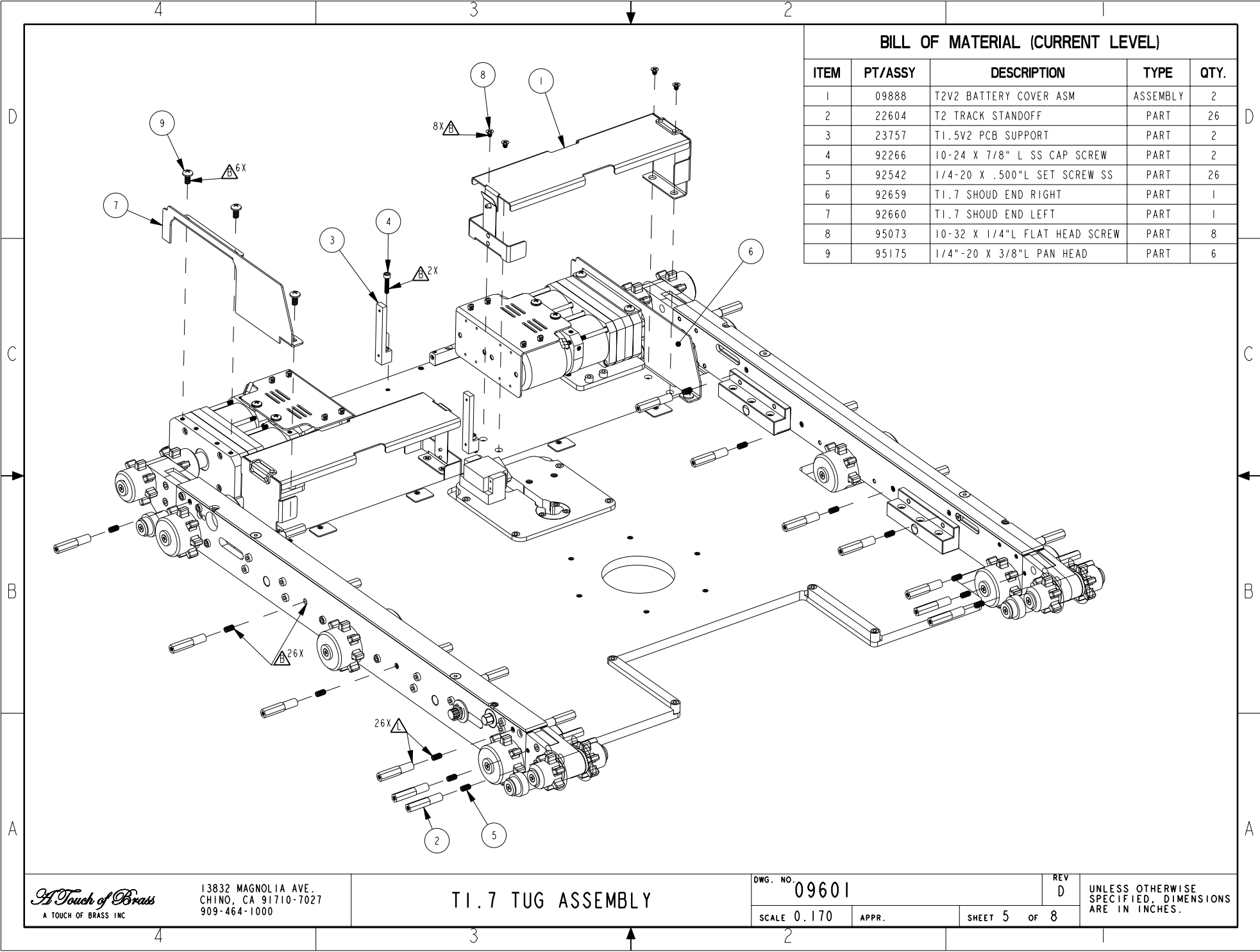
REV D

UNLESS OTHERWISE SPECIFIED, DIMENSIONS ARE IN INCHES.

SCALE 0.140

APPR.

SHEET 4 OF 8



BILL OF MATERIAL (CURRENT LEVEL)				
ITEM	PT/ASSY	DESCRIPTION	TYPE	QTY.
1	09888	T2V2 BATTERY COVER ASM	ASSEMBLY	2
2	22604	T2 TRACK STANDOFF	PART	26
3	23757	TI.5V2 PCB SUPPORT	PART	2
4	92266	10-24 X 7/8" L SS CAP SCREW	PART	2
5	92542	1/4-20 X .500"L SET SCREW SS	PART	26
6	92659	TI.7 SHOUD END RIGHT	PART	1
7	92660	TI.7 SHOUD END LEFT	PART	1
8	95073	10-32 X 1/4"L FLAT HEAD SCREW	PART	8
9	95175	1/4"-20 X 3/8"L PAN HEAD	PART	6


A Touch of Brass
A TOUCH OF BRASS INC

13832 MAGNOLIA AVE.
CHINO, CA 91710-7027
909-464-1000

TI.7 TUG ASSEMBLY

DWG. NO. 09601		REV D
SCALE 0.170	APPR.	SHEET 5 OF 8

UNLESS OTHERWISE SPECIFIED, DIMENSIONS ARE IN INCHES.

 BLUE REMOVABLE LOCTITE

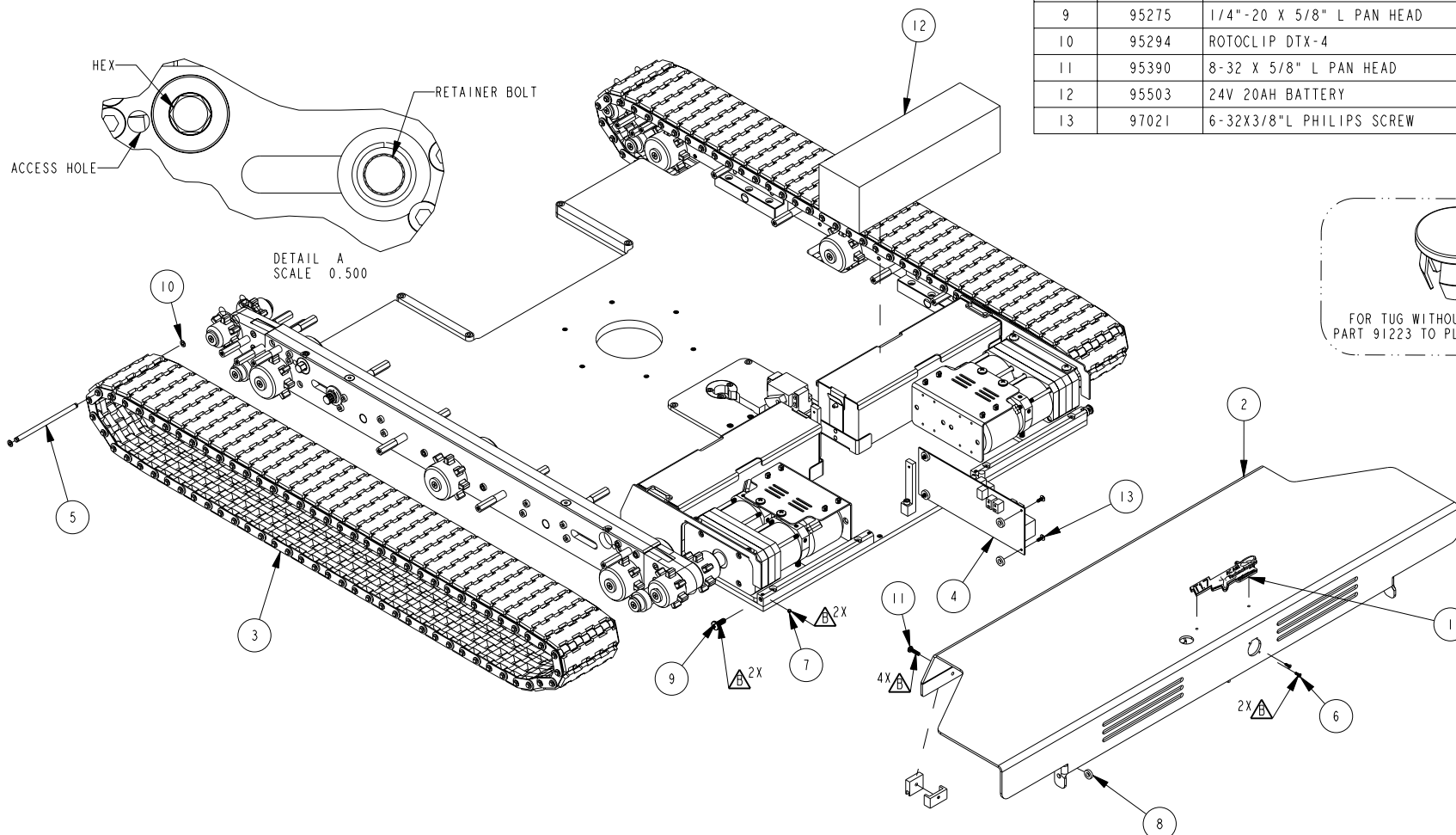
NOTES:


FOR TRACK ADJUSTMENT:

1. LOOSEN THE RETAINER BOLT WITH A 12 PT. SOCKET
2. SLIGHTLY ROTATE THE HEX WITH 7/16" SOCKET TO RELEASE TENSION FROM THE PINION
3. WITH HEX SLIGHTLY ROTATED INSERT AN 1/8" DIAMETER SCREW DRIVER INTO THE ACCESS HOLE TO RELEASE THE INTERNAL MECHANISM
4. ROTATE HEX TO RETRACT FRONT END
5. REMOVE THE SCREW DRIVER TO RELEASE THE INTERNAL MECHANISM
6. ROTATE HEX TO ADJUST TRACK TENSION (SHOULD ONLY ROTATE IN ONE DIRECTION)
7. TIGHTEN THE RETAINER BOLT WITH A 12 PT SOCKET ONCE ADJUSTMENT IS COMPLETE

BILL OF MATERIAL (CURRENT LEVEL)

ITEM	PT/ASSY	DESCRIPTION	TYPE	QTY.
1	09029	T1.7 LOGO PLATE W STUDS	ASSEMBLY	1
2	09593	T1.7 SHROUD-BRACKET ASM	ASSEMBLY	1
3	09602	T1.7 TRACK ASSEMBLY	ASSEMBLY	2
4	09829	T2 ALL-IN-ONE PC BOARD	PART	1
5	22673	T1.5 TRACK PIN	PART	2
6	92361	4-40X5/16"L FLAT HD SCW, PHIL	PART	2
7	92524	8-32 UNC X 1/8 SET SCREW	PART	2
8	95158	1/4" X .125" NYLON SPACER	PART	10
9	95275	1/4"-20 X 5/8" L PAN HEAD	PART	2
10	95294	ROTOCLIP DTX-4	PART	4
11	95390	8-32 X 5/8" L PAN HEAD	PART	4
12	95503	24V 20AH BATTERY	PART	2
13	97021	6-32X3/8"L PHILIPS SCREW	PART	4




FOR TUG WITHOUT LIGHTS USE
PART 91223 TO PLUG LIGHT HOLES.

A Touch of Brass
A TOUCH OF BRASS INC

13832 MAGNOLIA AVE.
CHINO, CA 91710-7027
909-464-1000

T1.7 TUG ASSEMBLY

DWG. NO. **09601**


REV **D**

UNLESS OTHERWISE
SPECIFIED, DIMENSIONS
ARE IN INCHES.

SCALE **0.115**

APPR.

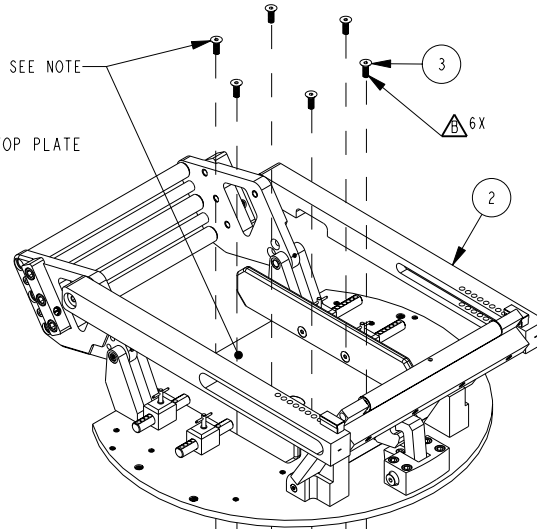
SHEET **6** OF **8**

 BLUE REMOVABLE LOCTITE

NOTES:

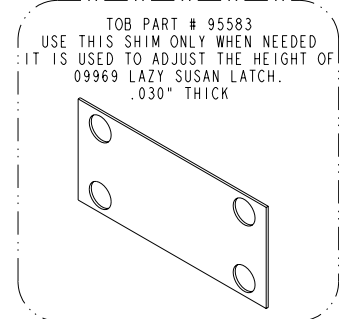
1. ASSEMBLE (6X) THROUGH HOLE IN LAZY SUSAN TOP PLATE
2. ****STARRED**** ITEMS SHOULD NOT BE INSTALLED ON THE TUG. WRAP COVERS IN FOAM AND PLACE SCREWS IN SMALL BAG. PLACE ALL ITEMS IN SHIPPING BOX. CUSTOMER WILL INSTALL.

SEE NOTE



BILL OF MATERIAL (CURRENT LEVEL)

ITEM	PT/ASSY	DESCRIPTION	TYPE	QTY.
1	02528	CABLE CLAMP KIT	BULK ITEM	1
2	09590	T2V2 LAZY SUSAN	ASSEMBLY	1
3	95003	1/4"-20 X 3/4" FLAT HEAD	PART	6
4	95492	TI.7 OUTSIDE COVER	PART	2
5	95493	TI.7 INSIDE COVER	PART	2
6	95494	TI.7 FRONT END COVER	PART	4
7	95624	10-32 X 3/8" PHILLIPS SCREW, THREADED	PHENOLIC	26



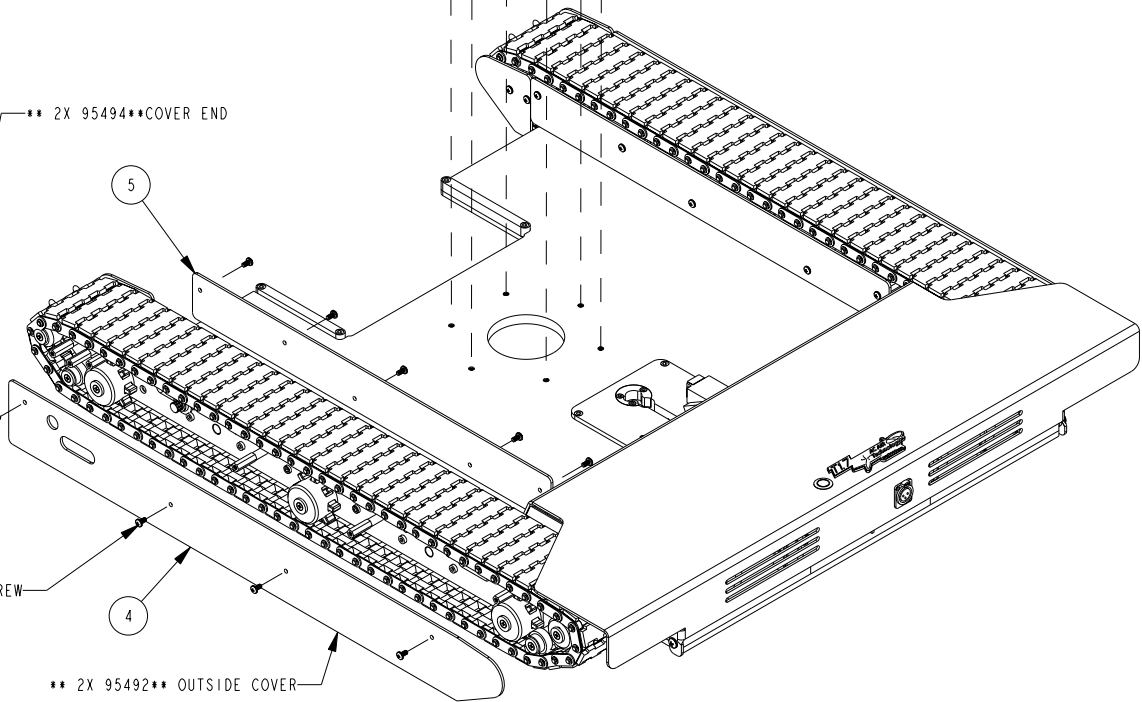
**** 2X 95494** COVER END**



**** 12X 95624** COVER SCREW**



**** 2X 95492** OUTSIDE COVER**



A Touch of Brass
A TOUCH OF BRASS INC

13832 MAGNOLIA AVE.
CHINO, CA 91710-7027
909-464-1000

TI.7 TUG ASSEMBLY

DWG. NO. **09601**

REV **D**

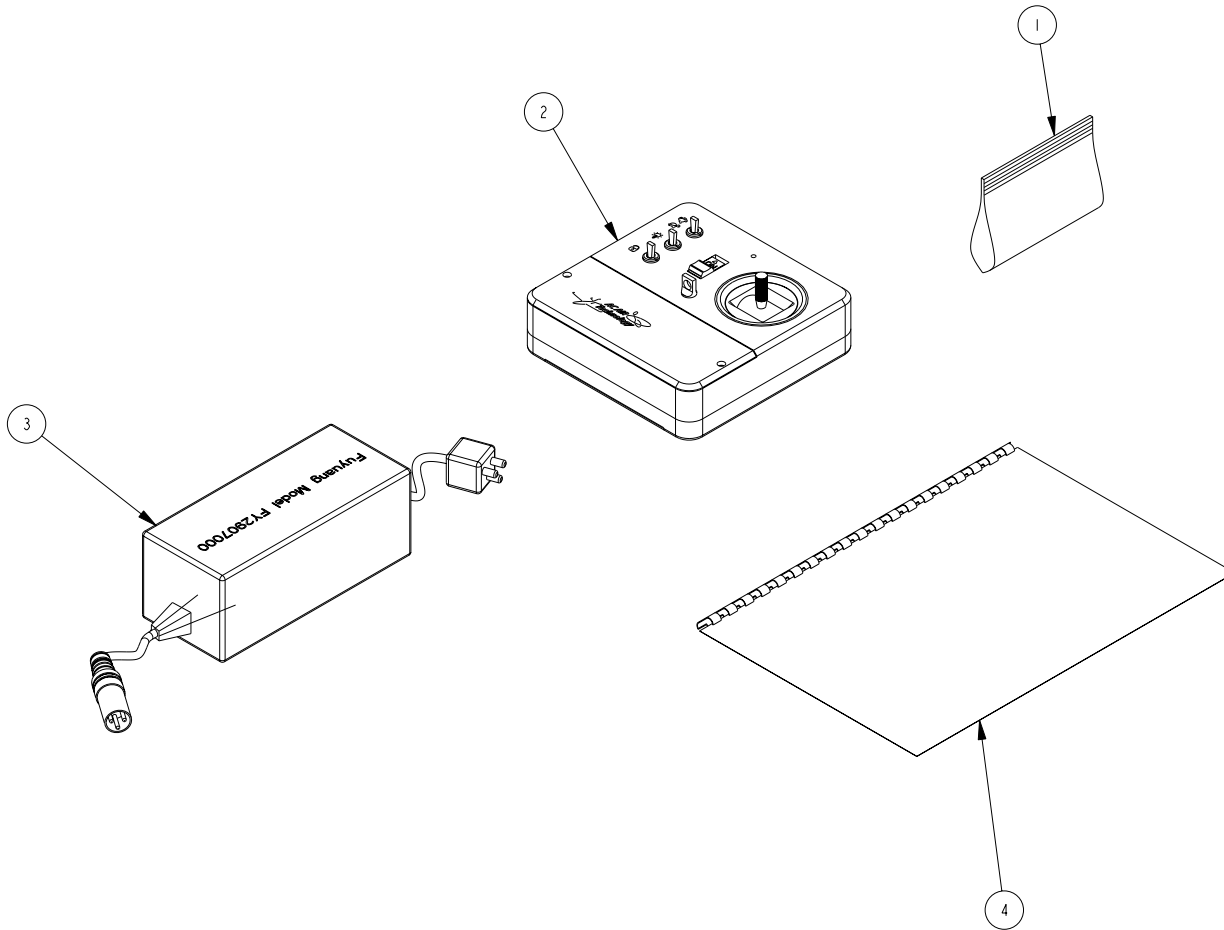
UNLESS OTHERWISE SPECIFIED, DIMENSIONS ARE IN INCHES.

SCALE **0.115**

APPR.

SHEET **7** OF **8**

BILL OF MATERIAL (CURRENT LEVEL)				
ITEM	PT/ASSY	DESCRIPTION	TYPE	QTY.
1	09817	4" SPARE PARTS KIT	PART	1
2	09965	T2V2/TI.5 V2 RADIO W LIGHTS 201	ASSEMBLY	1
3	95394	29.2V POWER SUPPLY 7A	PART	1
4	95495	TI.7 OWNERS MANUAL	PART	1



A Touch of Brass
A TOUCH OF BRASS INC

13832 MAGNOLIA AVE.
CHINO, CA 91710-7027
909-464-1000

TI.7 TUG ASSEMBLY

DWG. NO. 09601

REV D

SCALE 0.200

APPR.

SHEET 8 OF 8

UNLESS OTHERWISE SPECIFIED, DIMENSIONS ARE IN INCHES.