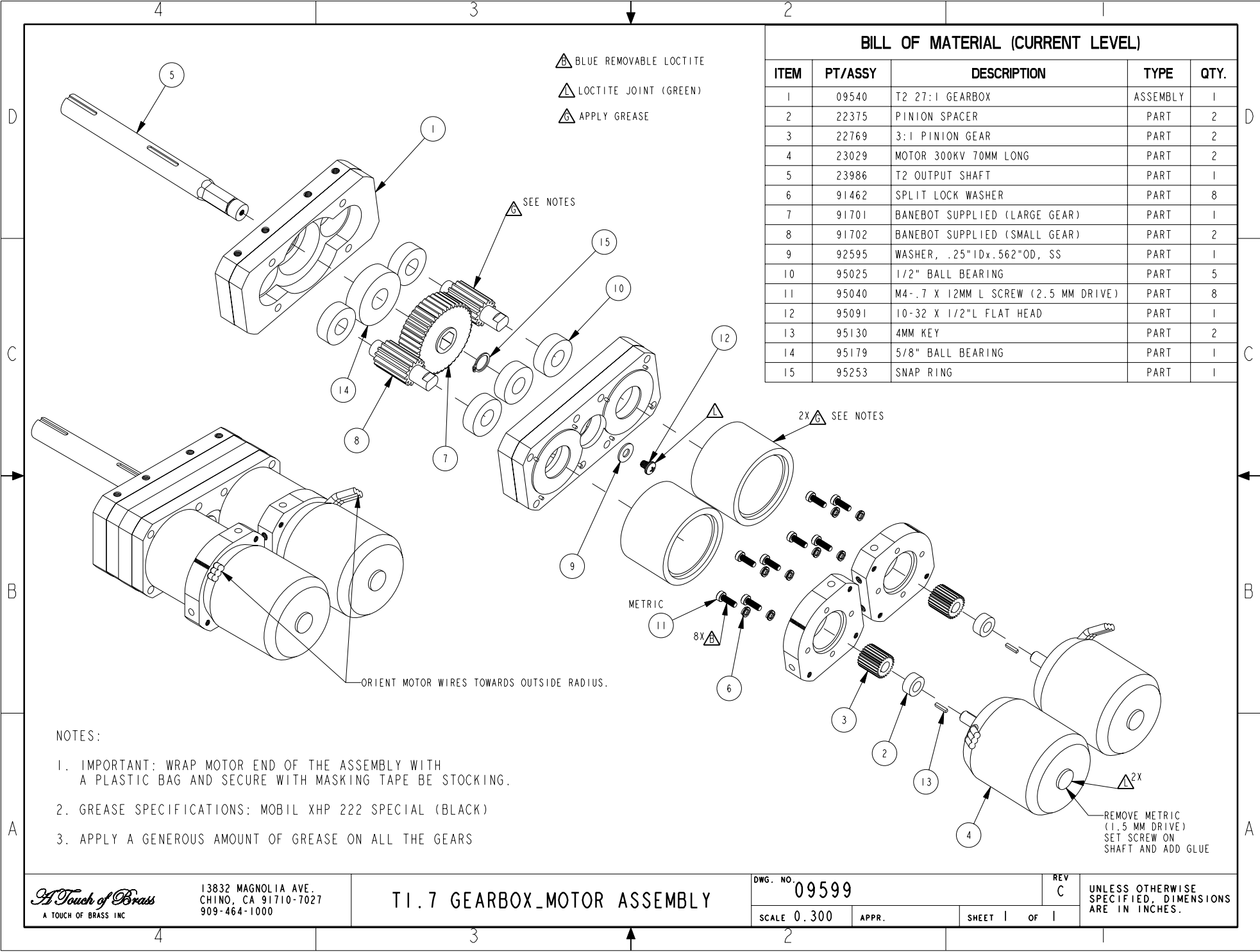


3. APPLY A GENEROUS AMOUNT OF GREASE ON ALL THE GEARS



- BLUE REMOVABLE LOCTITE
- LOCTITE JOINT (GREEN)
- APPLY GREASE

BILL OF MATERIAL (CURRENT LEVEL)				
ITEM	PT/ASSY	DESCRIPTION	TYPE	QTY.
1	09540	T2 27:1 GEARBOX	ASSEMBLY	1
2	22375	PINION SPACER	PART	2
3	22769	3:1 PINION GEAR	PART	2
4	23029	MOTOR 300KV 70MM LONG	PART	2
5	23986	T2 OUTPUT SHAFT	PART	1
6	91462	SPLIT LOCK WASHER	PART	8
7	91701	BANEBOT SUPPLIED (LARGE GEAR)	PART	1
8	91702	BANEBOT SUPPLIED (SMALL GEAR)	PART	2
9	92595	WASHER, .25"IDx.562"OD, SS	PART	1
10	95025	1/2" BALL BEARING	PART	5
11	95040	M4-.7 X 12MM L SCREW (2.5 MM DRIVE)	PART	8
12	95091	10-32 X 1/2"L FLAT HEAD	PART	1
13	95130	4MM KEY	PART	2
14	95179	5/8" BALL BEARING	PART	1
15	95253	SNAP RING	PART	1

ORIENT MOTOR WIRES TOWARDS OUTSIDE RADIUS.

NOTES:

1. IMPORTANT: WRAP MOTOR END OF THE ASSEMBLY WITH A PLASTIC BAG AND SECURE WITH MASKING TAPE BE STOCKING.
2. GREASE SPECIFICATIONS: MOBIL XHP 222 SPECIAL (BLACK)
3. APPLY A GENEROUS AMOUNT OF GREASE ON ALL THE GEARS

*A Touch of Brass*  
A TOUCH OF BRASS INC  
13832 MAGNOLIA AVE.  
CHINO, CA 91710-7027  
909-464-1000

T1.7 GEARBOX\_MOTOR ASSEMBLY

DWG. NO. 09599	REV C	UNLESS OTHERWISE SPECIFIED, DIMENSIONS ARE IN INCHES.
SCALE 0.300	SHEET 1 OF 1	