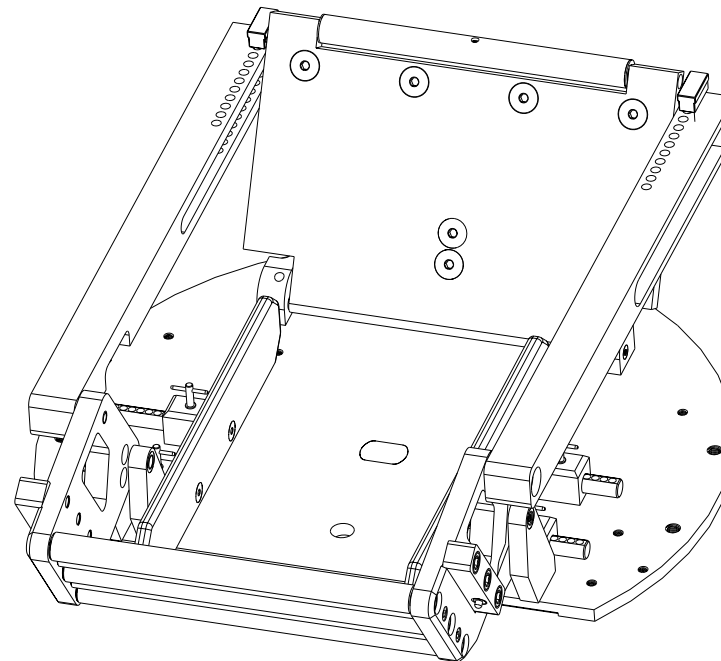


**BILL OF MATERIAL (CURRENT LEVEL)**

ITEM	PT/ASSY	DESCRIPTION	TYPE	QTY.
1	22564	LAZY SUSAN BOTTOM RING	PART	1
2	22575	LAZY SUSAN CENTER	PART	1
3	22579	T2 PIVOT PIN	PART	2
4	22611	T2 LATCH MOUNT	PART	1
5	23142	T2 REAR PIVOT PIN	PART	2
6	23380	5/8"-16 CASTLE NUT	PART	1
7	23430	T1 CRADLE WASHER	PART	2
8	23545	CRADLE SUPPORT BLOCK	PART	2
9	23583	T2 CRADLE OUTER ROLLER	PART	1
10	23695	T2W V2 WHEEL PLATE	PART	1
11	23760	T2W2 LATCH	PART	1
12	23761	T2W2 RAMP PIVOT RIGHT	PART	1
13	23762	T2W2 RAMP PIVOT LEFT	PART	1
14	23764	T2W2 LATCH CLASP	PART	1
15	23765	T2W2 ROLLER PIN	PART	2
16	23773	LAZY SUSAN LINK (R) "SEE NOTE"	PART	1
17	23774	LAZY SUSAN LINK (L) "SEE NOTE"	PART	1
18	23775	T2D2 FRONT ARM RIGHT	PART	1
19	23776	T2D2 FRONT ARM LEFT	PART	1
20	23787	T2V2 CRADLE RAMP	PART	1
21	23788	T2 RAMP BRACE	PART	1
22	23789	T2 CRADLE INNER ROLLER	PART	1
23	23790	T2 FRONT ROLLER	PART	3
24	23791	10.260"L BRACE	PART	2
25	23792	LAZY SUSAN FRONT PIVOT	PART	4
26	23858	CRADLE ADJ. CAP FOR 1/4" PIN	PART	2
27	23859	1/4" DOWEL PIN W FLATS	PART	4
28	23905	T1X3 CRADLE SPACER GUIDE	PART	4
29	24034	TIRE GUIDE ROD 3-1/4" L	PART	4
30	24035	T2V2 TIRE GUIDE PLATE	PART	2
31	91770	.375" ID X .02" TH WASHER	PART	4
32	92041	3/8"-16 X 7/8" L CAP SCREW	PART	6
33	92209	1/4"-20 X 5/8" FLAT SOCKET	PART	4
34	92524	8-32 UNC X 1/8 SET SCREW	PART	4
35	92646	.500 X .750" SHOULDER BOLT	PART	4
36	95003	1/4"-20 X 3/4" FLAT HEAD	PART	14
37	95009	10-24 X 3/4" FLAT HEAD	PART	16
38	95017	1/4"-20 X 1/2" SOCKET CAP	PART	4
39	95022	10-24 X 3/8"L SS SET SCREW	PART	2

40	95024	3/8" NEEDLE ROLLER BEARING	PART	4
41	95041	SPRING PLUNGER	PART	2
42	95095	10-24 X 1/4"L SET SCREW	PART	2
43	95149	5/8" THRUST WASHER, .032" TH.	PART	2
44	95150	5/8" THRUST ROLLER BEARING	PART	1
45	95153	1/2" ROLLER BEARING	PART	6
46	95172	1/4" HARDENED STEEL BALL	PART	113
47	95177	5/32" X 1.5" SS COTTER PIN	PART	1
48	95188	3/8"-24 X 1.0" SELF LOCK S.S.	PART	1
49	95338	3/8"-16 X 1-1/4" L FLAT HEAD	PART	5
50	95339	3/8" X 2-1/4" SB	PART	1
51	95343	5/16"-18X1-1/4"L CAP SCREW	PART	4
52	95346	SPLIT LOCK WASHER FOR 3/8" SCREW	PART	1
53	95472	3/8"-16 X 7/8" L FLAT HEAD SCREW	PART	1
54	95496	3/16" DIA. T-HANDLE	PART	4

NOTE: CRADLE WILL ACCOMMODATE A 21.5" DIA. TIRE USING 23773 AND 23774 LINKS  
 CRADLE WILL ACCOMMODATE A 23.5" TIRE USING 24359 AND 24360 LINKS



*A Touch of Brass*  
 A TOUCH OF BRASS INC

13832 MAGNOLIA AVE.  
 CHINO, CA 91710-7027  
 909-464-1000

**T2V2 LAZY SUSAN**

DWG. NO. **09590**

REV **J**

UNLESS OTHERWISE SPECIFIED, DIMENSIONS ARE IN INCHES.

SCALE 0.200

APPR.

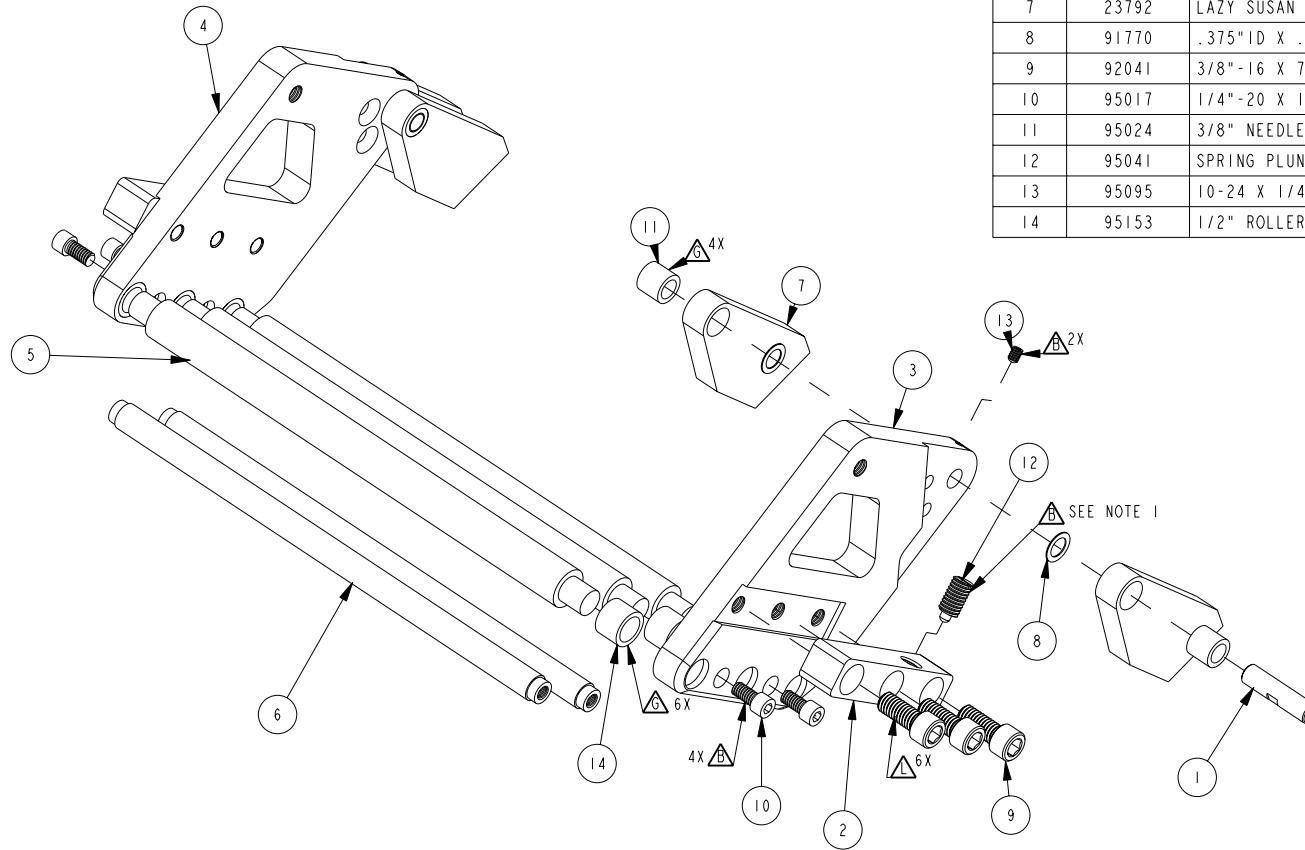
SHEET 1 OF 6

- BLUE REMOVABLE LOCTITE
- APPLY GREASE
- LOCTITE JOINT (GREEN)

NOTE:  
 1. DO NOT APPLY GLUE ON THE PLUNGER, ONLY ON THE THREADS  
 , IT WILL CAUSE THE PLUNGER MECHANISM TO CEASE.

**BILL OF MATERIAL (CURRENT LEVEL)**

ITEM	PT/ASSY	DESCRIPTION	TYPE	QTY.
1	22579	T2 PIVOT PIN	PART	2
2	23545	CRADLE SUPPORT BLOCK	PART	2
3	23775	T2D2 FRONT ARM RIGHT	PART	1
4	23776	T2D2 FRONT ARM LEFT	PART	1
5	23790	T2 FRONT ROLLER	PART	3
6	23791	10.260"L BRACE	PART	2
7	23792	LAZY SUSAN FRONT PIVOT	PART	4
8	91770	.375"ID X .02"TH WASHER	PART	4
9	92041	3/8"-16 X 7/8" L CAP SCREW	PART	6
10	95017	1/4"-20 X 1/2" SOCKET CAP	PART	4
11	95024	3/8" NEEDLE ROLLER BEARING	PART	4
12	95041	SPRING PLUNGER	PART	2
13	95095	10-24 X 1/4"L SET SCREW	PART	2
14	95153	1/2" ROLLER BEARING	PART	6



*A Touch of Brass*  
 A TOUCH OF BRASS INC

13832 MAGNOLIA AVE.  
 CHINO, CA 91710-7027  
 909-464-1000

**T2V2 LAZY SUSAN**

DWG. NO. **09590**



REV J

UNLESS OTHERWISE SPECIFIED, DIMENSIONS ARE IN INCHES.

SCALE 0.300

APPR.

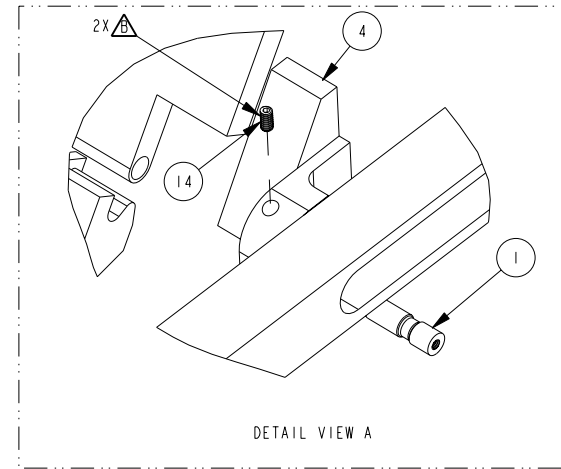
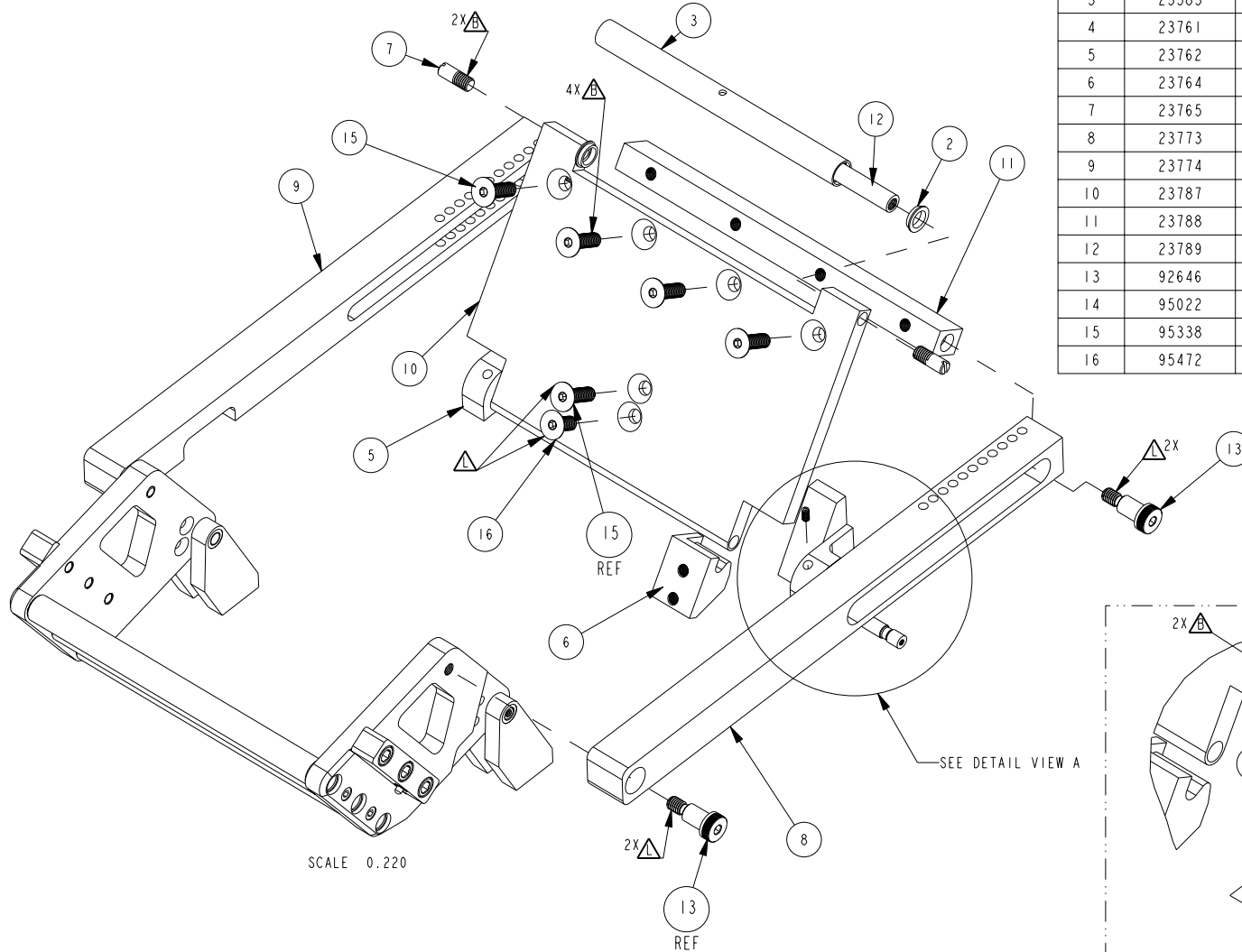
SHEET 2 OF 6

 BLUE REMOVABLE LOCTITE  
 LOCTITE JOINT (GREEN)

NOTE: FOR 23.5" TIRE DIAMETER USE PARTS 24359 AND 24360 INSTEAD OF 23773 AND 23774

**BILL OF MATERIAL (CURRENT LEVEL)**

ITEM	PT/ASSY	DESCRIPTION	TYPE	QTY.
1	23142	T2 REAR PIVOT PIN	PART	2
2	23430	T1 CRADLE WASHER	PART	2
3	23583	T2 CRADLE OUTER ROLLER	PART	1
4	23761	T2W2 RAMP PIVOT RIGHT	PART	1
5	23762	T2W2 RAMP PIVOT LEFT	PART	1
6	23764	T2W2 LATCH CLASP	PART	1
7	23765	T2W2 ROLLER PIN	PART	2
8	23773	LAZY SUSAN LINK (R) "SEE NOTE"	PART	1
9	23774	LAZY SUSAN LINK (L) "SEE NOTE"	PART	1
10	23787	T2V2 CRADLE RAMP	PART	1
11	23788	T2 RAMP BRACE	PART	1
12	23789	T2 CRADLE INNER ROLLER	PART	1
13	92646	.500 X .750" SHOULDER BOLT	PART	4
14	95022	10-24 X 3/8" L SS SET SCREW	PART	2
15	95338	3/8"-16 X 1-1/4" L FLAT HEAD	PART	5
16	95472	3/8"-16 X 7/8" L FLAT HEAD SCREW PART	PART	1



SCALE 0.220

*A Touch of Brass*  
A TOUCH OF BRASS INC

13832 MAGNOLIA AVE.  
CHINO, CA 91710-7027  
909-464-1000

**T2V2 LAZY SUSAN**

DWG. NO. **09590**

REV **J**

UNLESS OTHERWISE SPECIFIED, DIMENSIONS ARE IN INCHES.

SCALE 0.200

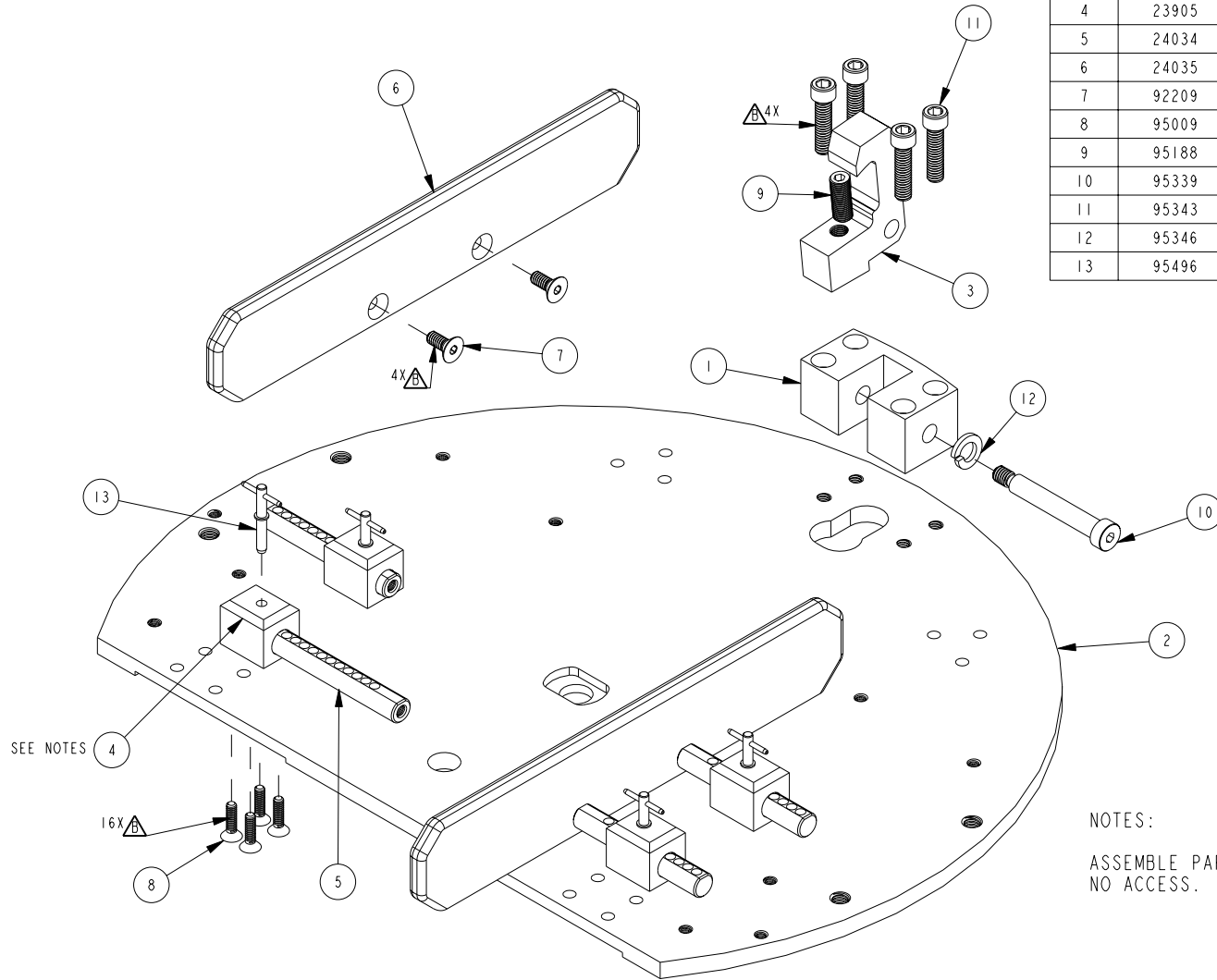
APPR.

SHEET 3 OF 6

▲ BLUE REMOVABLE LOCTITE

**BILL OF MATERIAL (CURRENT LEVEL)**

ITEM	PT/ASSY	DESCRIPTION	TYPE	QTY.
1	22611	T2 LATCH MOUNT	PART	1
2	23695	T2W V2 WHEEL PLATE	PART	1
3	23760	T2W2 LATCH	PART	1
4	23905	T1X3 CRADLE SPACER GUIDE	PART	4
5	24034	TIRE GUIDE ROD 3-1/4" L	PART	4
6	24035	T2V2 TIRE GUIDE PLATE	PART	2
7	92209	1/4"-20 X 5/8" FLAT SOCKET	PART	4
8	95009	10-24 X 3/4" FLAT HEAD	PART	16
9	95188	3/8"-24 X 1.0" SELF LOCK S.S.	PART	1
10	95339	3/8" X 2-1/4" SB	PART	1
11	95343	5/16"-18X1-1/4"L CAP SCREW	PART	4
12	95346	SPLIT LOCK WASHER FOR 3/8" SCREW	PART	1
13	95496	3/16" DIA. T-HANDLE	PART	4



NOTES:

ASSEMBLE PART 23905 BEFORE BOTTOM RING IS INSTALLED.  
NO ACCESS.

*A Touch of Brass*  
A TOUCH OF BRASS INC.

13832 MAGNOLIA AVE.  
CHINO, CA 91710-7027  
909-464-1000

**T2V2 LAZY SUSAN**

DWG. NO. **09590**

REV J

UNLESS OTHERWISE SPECIFIED, DIMENSIONS ARE IN INCHES.

SCALE 0.300

APPR.

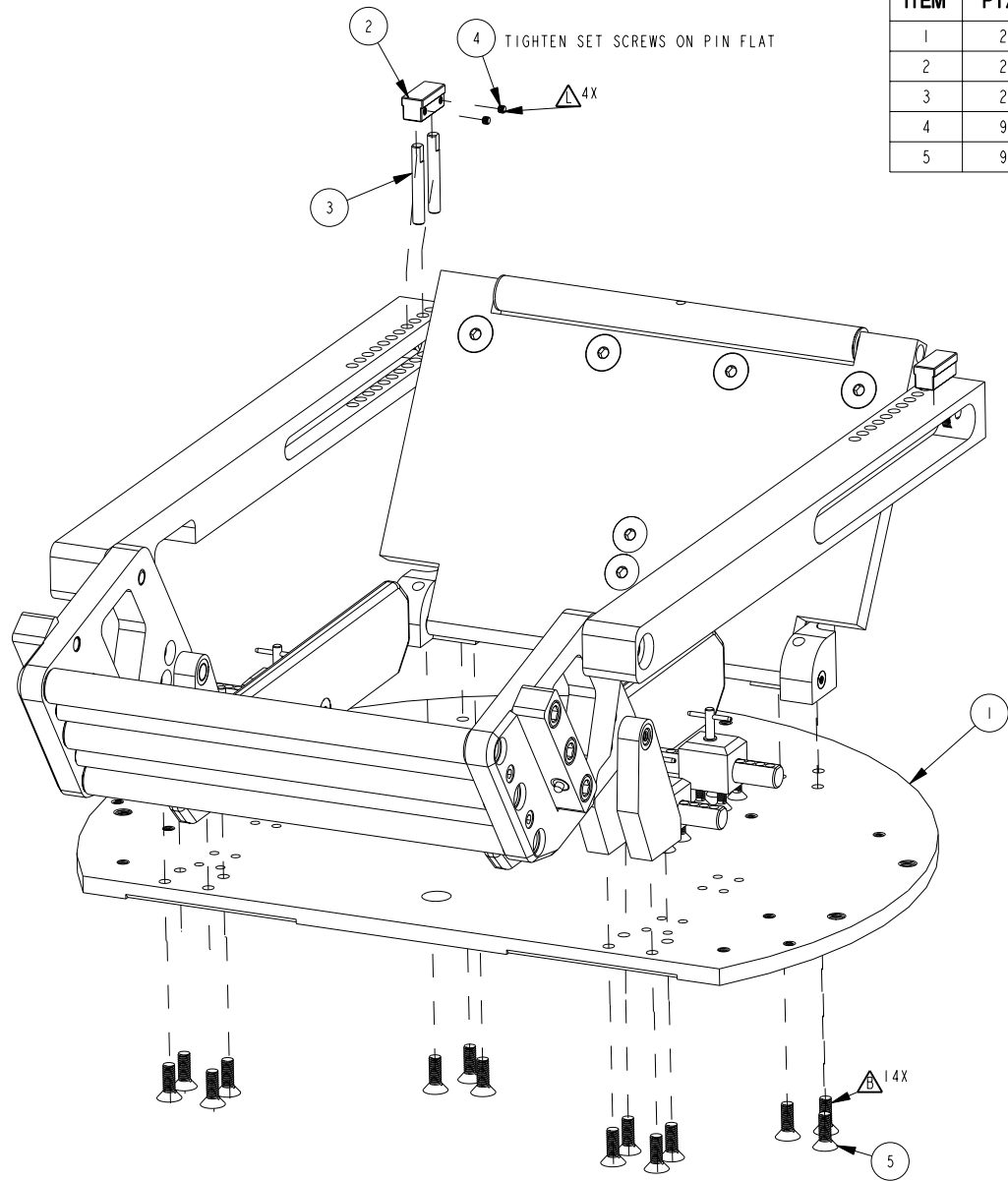
SHEET 4 OF 6

△ BLUE REMOVABLE LOCTITE

△ LOCTITE JOINT (GREEN)

### BILL OF MATERIAL (CURRENT LEVEL)

ITEM	PT/ASSY	DESCRIPTION	TYPE	QTY.
1	23695	T2W V2 WHEEL PLATE	PART	1
2	23858	CRADLE ADJ. CAP FOR 1/4" PIN	PART	2
3	23859	1/4" DOWEL PIN W FLATS	PART	4
4	92524	8-32 UNC X 1/8 SET SCREW	PART	4
5	95003	1/4"-20 X 3/4" FLAT HEAD	PART	14



*A Touch of Brass*  
A TOUCH OF BRASS INC

13832 MAGNOLIA AVE.  
CHINO, CA 91710-7027  
909-464-1000

T2V2 LAZY SUSAN

DWG. NO. 09590

REV J

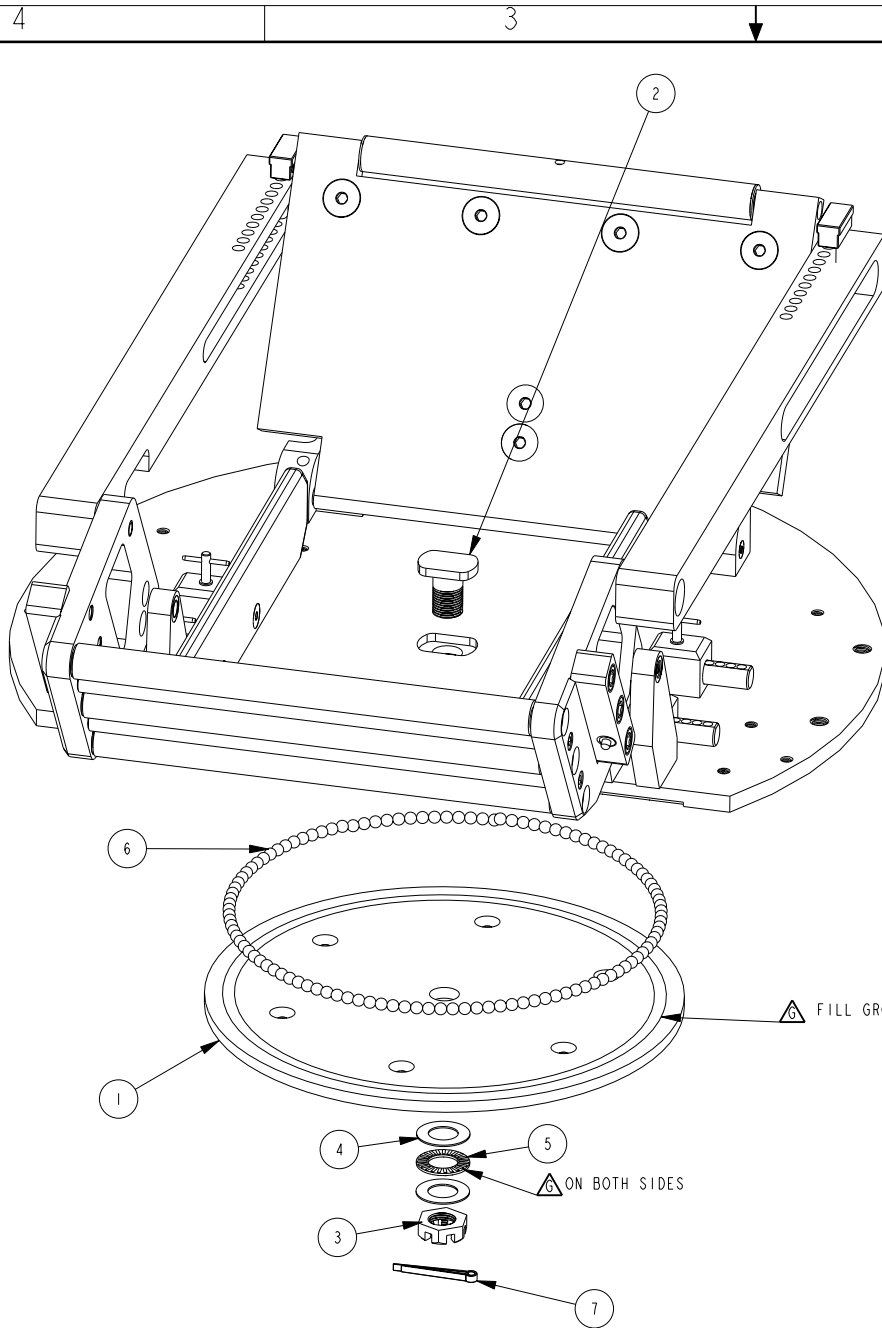
UNLESS OTHERWISE SPECIFIED, DIMENSIONS ARE IN INCHES.

SCALE 0.250

APPR.

SHEET 5 OF 6

△ APPLY GREASE



**BILL OF MATERIAL (CURRENT LEVEL)**

ITEM	PT/ASSY	DESCRIPTION	TYPE	QTY.
1	22564	LAZY SUSAN BOTTOM RING	PART	1
2	22575	LAZY SUSAN CENTER	PART	1
3	23380	5/8"-16 CASTLE NUT	PART	1
4	95149	5/8" THRUST WASHER, .032" TH.	PART	2
5	95150	5/8" THRUST ROLLER BEARING	PART	1
6	95172	1/4" HARDENED STEEL BALL	PART	113
7	95177	5/32" X 1.5" SS COTTER PIN	PART	1

*A Touch of Brass*  
A TOUCH OF BRASS INC

13832 MAGNOLIA AVE.  
CHINO, CA 91710-7027  
909-464-1000

T2V2 LAZY SUSAN

DWG. NO. 09590

REV J

UNLESS OTHERWISE SPECIFIED, DIMENSIONS ARE IN INCHES.

SCALE 0.250

APPR.

SHEET 6 OF 6