

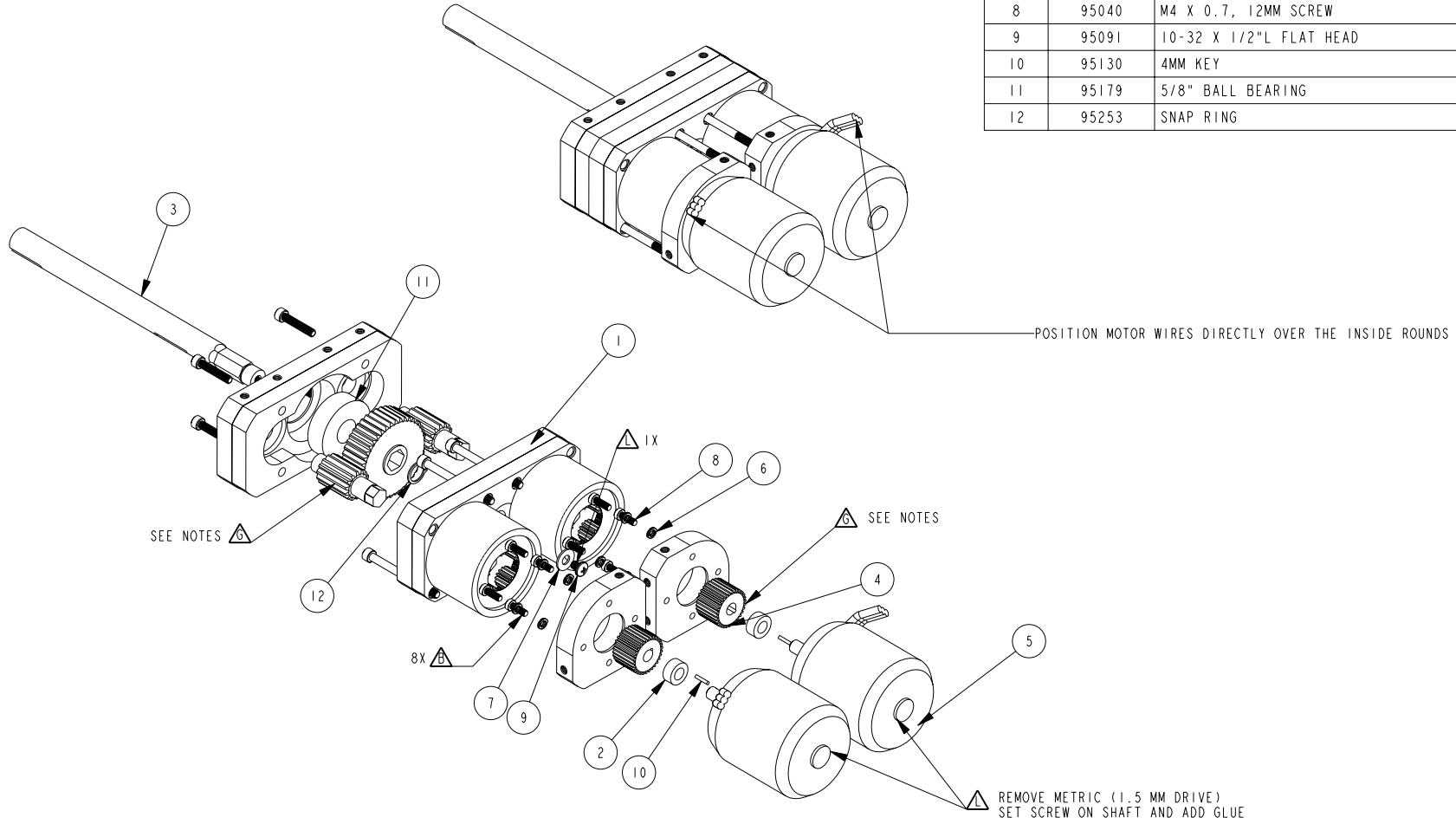
- ⚠ LOCTITE JOINT (GREEN)
- ⚠ BLUE REMOVABLE LOCTITE
- ⚠ APPLY GREASE

NOTES:

1. IMPORTANT: WRAP MOTOR END OF THE ASSEMBLY WITH A PLASTIC BAG AND SECURE WITH MASKING TAPE BEFORE STOCKING. STRONG MAGNETS IN MOTOR ATTRACT DEBRIS.
2. GREASE SPECIFICATIONS; MOBIL XHP 222 SPECIAL (BLACK)
3. APPLY A GENEROUS AMOUNT OF GREASE ON ALL THE GEARS.

BILL OF MATERIAL (CURRENT LEVEL)

ITEM	PT/ASSY	DESCRIPTION	TYPE	QTY.
1	09540	T2 27:1 GEARBOX	ASSEMBLY	1
2	22375	PINION SPACER	PART	2
3	22706	T2 OUTPUT SHAFT	PART	1
4	22769	3:1 PINION GEAR	PART	2
5	23029	MOTOR 295KV LONG	PART	2
6	91462	M4 SPLIT LOCK WASHER	PART	8
7	92595	WASHER, .25" ID x .562" OD, SS	PART	1
8	95040	M4 X 0.7, 12MM SCREW	PART	8
9	95091	10-32 X 1/2" L FLAT HEAD	PART	1
10	95130	4MM KEY	PART	2
11	95179	5/8" BALL BEARING	PART	1
12	95253	SNAP RING	PART	1



A Touch of Brass
A TOUCH OF BRASS INC

13832 MAGNOLIA AVE.
CHINO, CA 91710-7027
909-464-1000

T2 GEARBOX ASSEMBLY

DWG. NO. 09520

REV K

UNLESS OTHERWISE SPECIFIED, DIMENSIONS ARE IN INCHES.

SCALE 0.250

APPR.

SHEET 1 OF 1