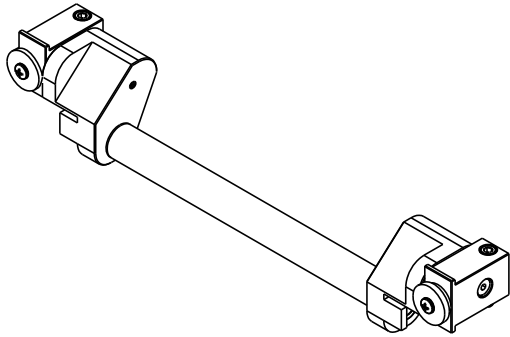


04293

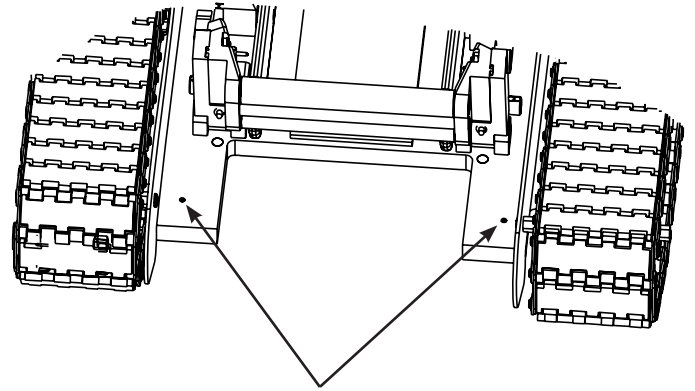
Accessory Front Roller For T1X2 and T1V2 with Adjustable Cradle

- 1** The Accessory Front Roller is used for low wheel fairing aircraft. It lifts the aircraft wheel off the ground before reaching the tug wheel cradle, preventing the wheel fairing from interfering with the wheel cradle.

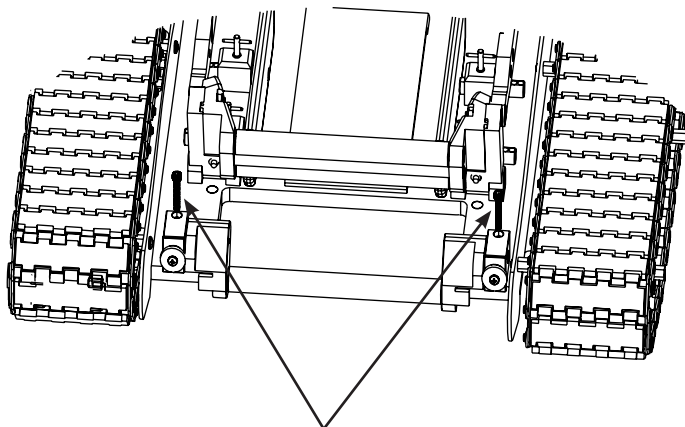


Note: The height of the tug wheel cradle must be in the lowest position.

- 2** Locate the 2 threaded holes at the front-end of the tug main plate.

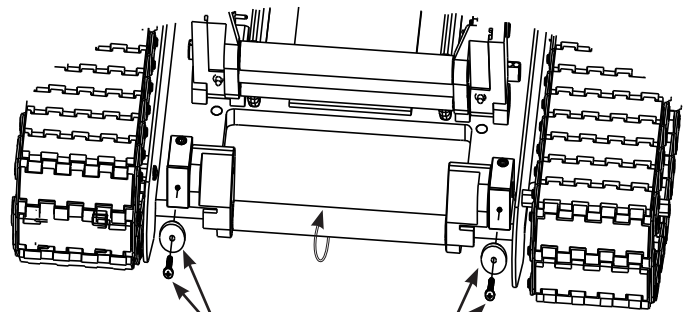


- 3** Position the accessory over the threaded holes. Apply thread-locker to the mounting screws and tighten.



Mounting Screws

- 4** Remove the shipping hardware. The accessory front roller should spring upwards, away from the ground.



Shipping Hardware