

NOTES:

BILL OF MATERIAL (CURRENT LEVEL)

ITEM	PT/ASSY	DESCRIPTION	TYPE	QTY.
1	02623	T2V3 RAIL ASSEMBLY	ASSEMBLY	1
2	02624	T2V3 GEARBOX-MOTOR ASSEMBLY	ASSEMBLY	2
3	02626	T2V3 LOGO PLATE W STUDS	ASSEMBLY	1
4	09538	LED LIGHT	ASSEMBLY	2
5	09551	T2 TRACK SPARE PARTS KIT	PART	1
6	09590	T2V2 LAZY SUSAN	ASSEMBLY	1
7	09724	T2 LIGHT KIT	ASSEMBLY	1
8	09829	T2 ALL-IN-ONE PC BOARD	ASSEMBLY	1
9	09888	T2V2 BATTERY COVER ASM	ASSEMBLY	2
10	09923	T2 AUTO ADJ TRACK	ASSEMBLY	2
11	09929	T2V2 WELDED SHROUD	ASSEMBLY	1
12	09965	T2V2/T1.5 V2 RADIO W LIGHTS 2017	ASSEMBLY	1
13	09969	T2 DUAL LIFTER LATCH ASSMEBLY	ASSEMBLY	1
14	22596	T2 SERVO CAM	PART	1
15	22604	T2 TRACK STANDOFF	PART	26
16	23145	COVER MOUNT BAR	PART	3
17	23466	T2 MOTOR PLATE	PART	2
18	23712	MP GLIDE SHAFT 1/4" OD X 1" L	PART	6
19	23713	ACETAL WASHER 1/4" ID X .050" THICK	PART	12
20	23757	T1.5V2 PCB SUPPORT	PART	2
21	24521	T2V3 MAINPLATE	PART	1
22	92039	PUSH MOUNT CABLE TIE	PART	8
23	92266	10-24 X 7/8" L SS CAP SCREW	PART	2
24	92361	4-40X5/16"L FLAT HD SCW, PHIL	PART	2
25	92524	8-32 UNC X 1/8 SET SCREW	PART	2
26	92542	1/4-20 X .500"L SET SCREW SS	PART	26
27	92708	T2V3 RAIL INSIDE COVER	PART	4
28	93547	RACHET TOOL, 3/8" DRIVE	BULK ITEM	1
29	93548	DEEP SOCKET, SIZE 7/16" DRIVE 3/8"	BULK ITEM	1
30	93549	T1.7 MOTOR COVER	PART	2
31	93554	M3 X 0.5MM, 8MM L FLAT HEAD SCREW	PART	8
32	93555	M3 X 0.5MM, HEX NUT	PART	8
33	93557	T2V2 SHROUD END LEFT	PART	1
34	93558	T2V2 SHROUD END RIGHT	PART	1
35	93560	#4, 1/4" L SELF-TAPPING SCREW	PART	8

36	94050	BEARING 5/8" OD FOR 1/4" SHAFT	PART	6
37	95003	1/4"-20 X 3/4" FLAT HEAD	PART	6
38	95016	1/4"-20 X 5/8" SOCKET CAP	PART	6
39	95017	1/4"-20 X 1/2" SOCKET CAP	PART	26
40	95073	10-32 X 1/4"L FLAT HEAD SCREW	PART	8
41	95158	1/4" X .125" NYLON SPACER	PART	8
42	95175	1/4"-20 X 3/8"L PAN HEAD	PART	6
43	95234	1/4"-20 X 5/8" LOW HD CAP SCW	PART	16
44	95350	8.25 EXTENSION	BULK ITEM	1
45	95366	WIRE EXTENSION CLIP	BULK ITEM	1
46	95386	T2 OUTSIDE COVER	PART	2
47	95394	29.2V POWER SUPPLY 7A	PART	1
48	95396	T2 RAIL END COVER	PART	4
49	95415	1/4"-20 X 1/2" L PAN HEAD	PART	4
50	95463	SS THIN NYLON-INSERT LOCK NUT	PART	2
51	95503	24V 20AH BATTERY	PART	2
52	95553	SPEED CONTROL 2020	PART	4
53	95554	#4-24 THRD-FORM SCREW FOR PLASTIC	PART	16
54	95624	10-32 X 3/8" PHILLIPS SCREW, THREAD LOCK	PART	26
55	95666	T2V3 TUG OWNERS MANUAL	PART	1
56	96198	1/2"-20 X 1-1/4" L CAP SCREW	PART	8
57	96346	TUG SHIPPING BOX	BULK ITEM	1
58	96350	TUG FOAM PACKAGING	BULK ITEM	1
59	97021	6-32X3/8"L PHILIPS SCREW	PART	4
60	93553A	SS MAGNETIC LATCH	PART	4
61	93553B	93553 SS MAGNET STRIKE PLATE	PART	4

**ACAIR
Technology**

13832 MAGNOLIA AVE.
CHINO, CA 91710-7027
855-884-7222

T2V3 TUG ASSEMBLY

ASSY. NO 02625

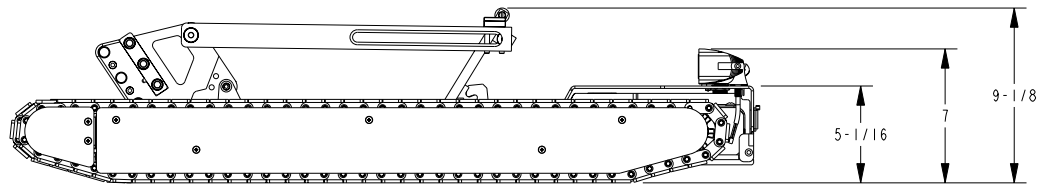
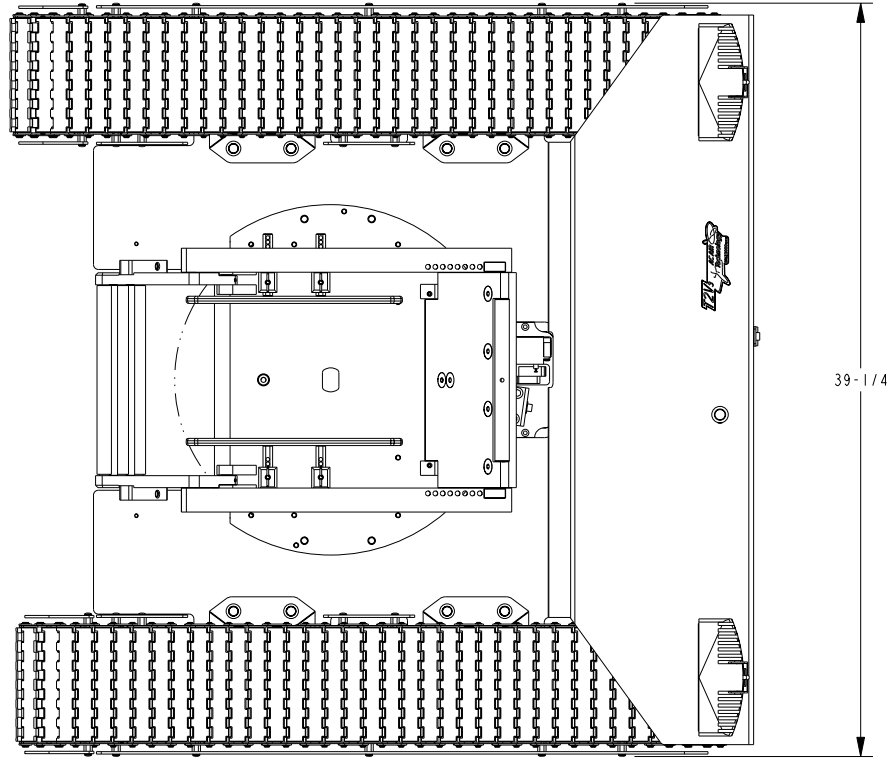
C

SCALE 0.023

REF. -

SHEET 1 OF 11

NOTES:



ACAIR
Technology

13832 MAGNOLIA AVE.
CHINO, CA 91710-7027
855-884-7222

T2V3 TUG ASSEMBLY

ASSY. NO. 02625

C

SCALE 0.100

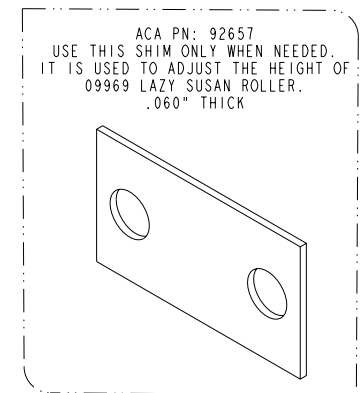
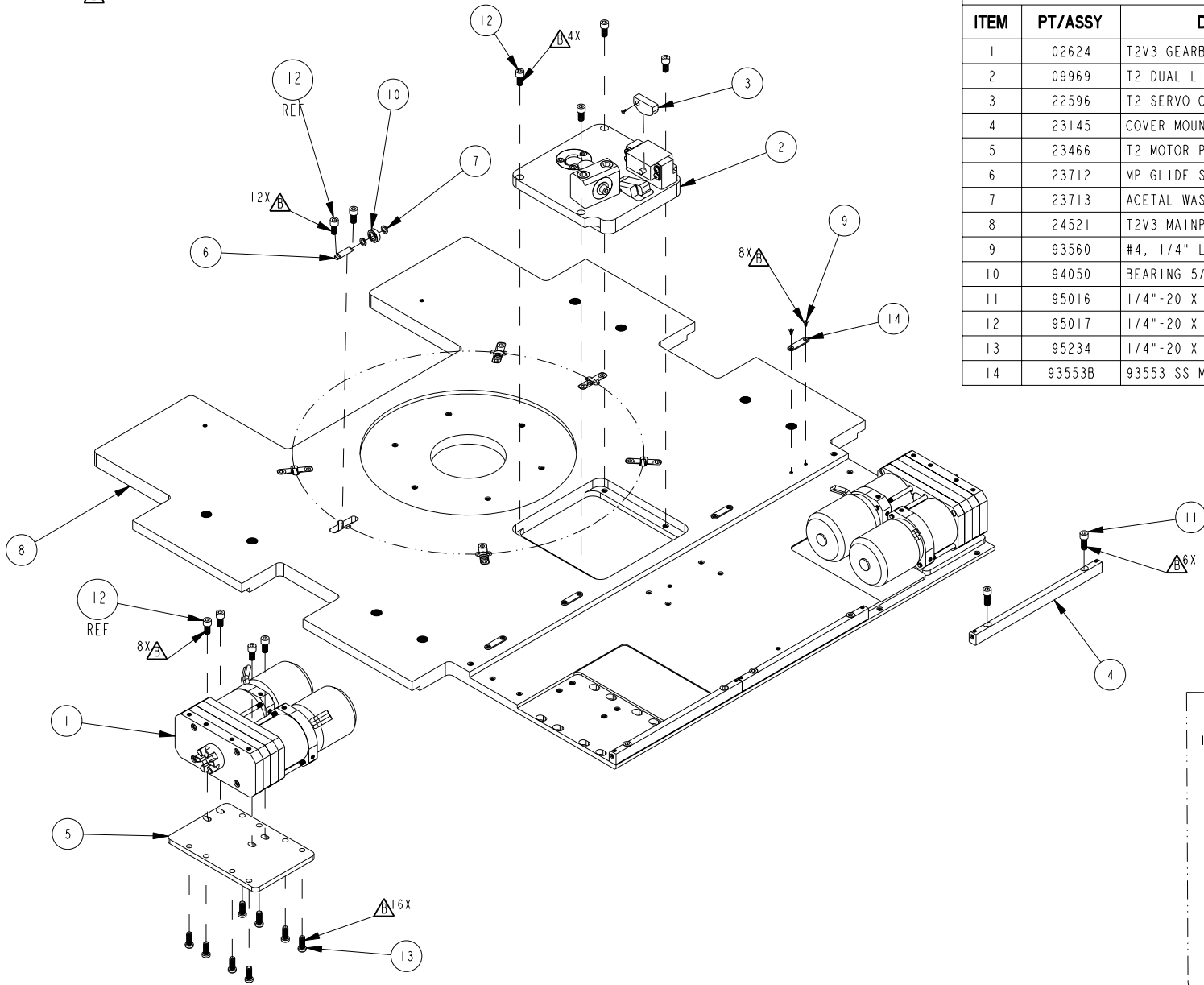
REF. -

SHEET 2 OF 11

NOTES:  BLUE REMOVABLE LOCTITE

BILL OF MATERIAL (CURRENT LEVEL)

ITEM	PT/ASSY	DESCRIPTION	TYPE	QTY.
1	02624	T2V3 GEARBOX-MOTOR ASSEMBLY	ASSEMBLY	2
2	09969	T2 DUAL LIFTER LATCH ASSMEBLY	ASSEMBLY	1
3	22596	T2 SERVO CAM	PART	1
4	23145	COVER MOUNT BAR	PART	3
5	23466	T2 MOTOR PLATE	PART	2
6	23712	MP GLIDE SHAFT 1/4" OD X 1" L	PART	6
7	23713	ACETAL WASHER 1/4" ID X .050"	THICK	12
8	24521	T2V3 MAINPLATE	PART	1
9	93560	#4, 1/4" L SELF-TAPPING SCREW	PART	8
10	94050	BEARING 5/8" OD FOR 1/4" SHAFT	PART	6
11	95016	1/4"-20 X 5/8" SOCKET CAP	PART	6
12	95017	1/4"-20 X 1/2" SOCKET CAP	PART	24
13	95234	1/4"-20 X 5/8" LOW HD CAP SCW	PART	16
14	93553B	93553 SS MAGNET STRIKE PLATE	PART	4



**ACAIR
Technology**

13832 MAGNOLIA AVE.
CHINO, CA 91710-7027
855-884-7222

T2V3 TUG ASSEMBLY

ASSY. NO. 02625

C

SCALE 0.140

REF. -

SHEET 3 OF 11

NOTES: **BILL OF MATERIAL (CURRENT LEVEL)**

ITEM	PT/ASSY	DESCRIPTION	TYPE	QTY.
1	09829	T2 ALL-IN-ONE PC BOARD	ASSEMBLY	1
2	23757	T1.5V2 PCB SUPPORT	PART	2
3	92039	PUSH MOUNT CABLE TIE	PART	8
4	92266	10-24 X 7/8" L SS CAP SCREW	PART	2
5	93549	T1.7 MOTOR COVER	PART	2
6	95158	1/4" X .125" NYLON SPACER	PART	4
7	95415	1/4"-20 X 1/2" L PAN HEAD	PART	4
8	95553	SPEED CONTROL 2020	PART	4
9	95554	#4-24 THRD-FORM SCREW FOR PLASTICPART	PART	16
10	97021	6-32X3/8"L PHILIPS SCREW	PART	4

BLUE REMOVABLE LOCTITE

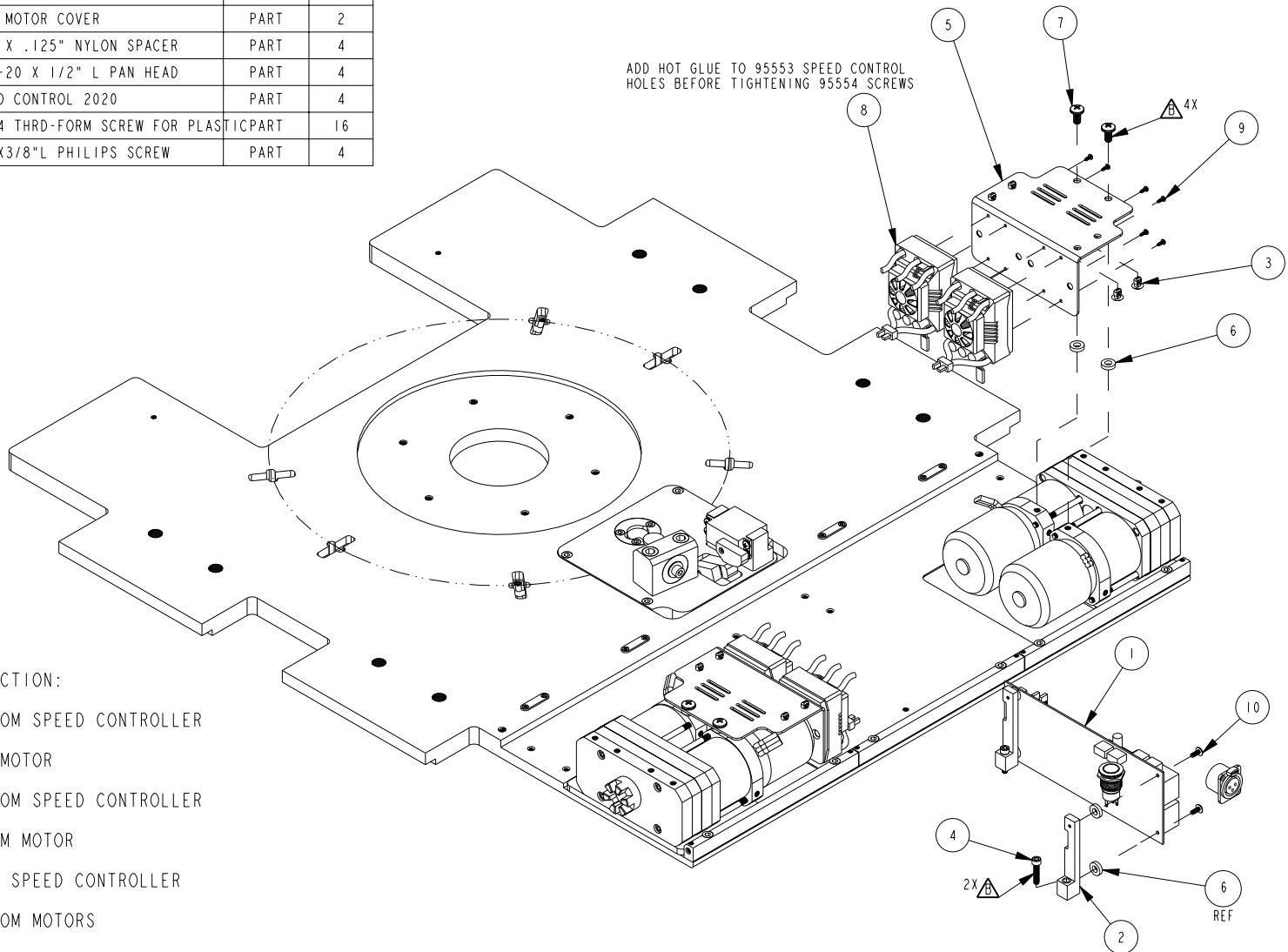
ADD HOT GLUE TO 95553 SPEED CONTROL HOLES BEFORE TIGHTENING 95554 SCREWS

T2V2 WIRE CONNECTION:

ORANGE WIRES FROM SPEED CONTROLLER
CONNECTS TO
RED WIRES FROM MOTOR

YELLOW WIRES FROM SPEED CONTROLLER
CONNECTS TO
BLACK WIRES FROM MOTOR

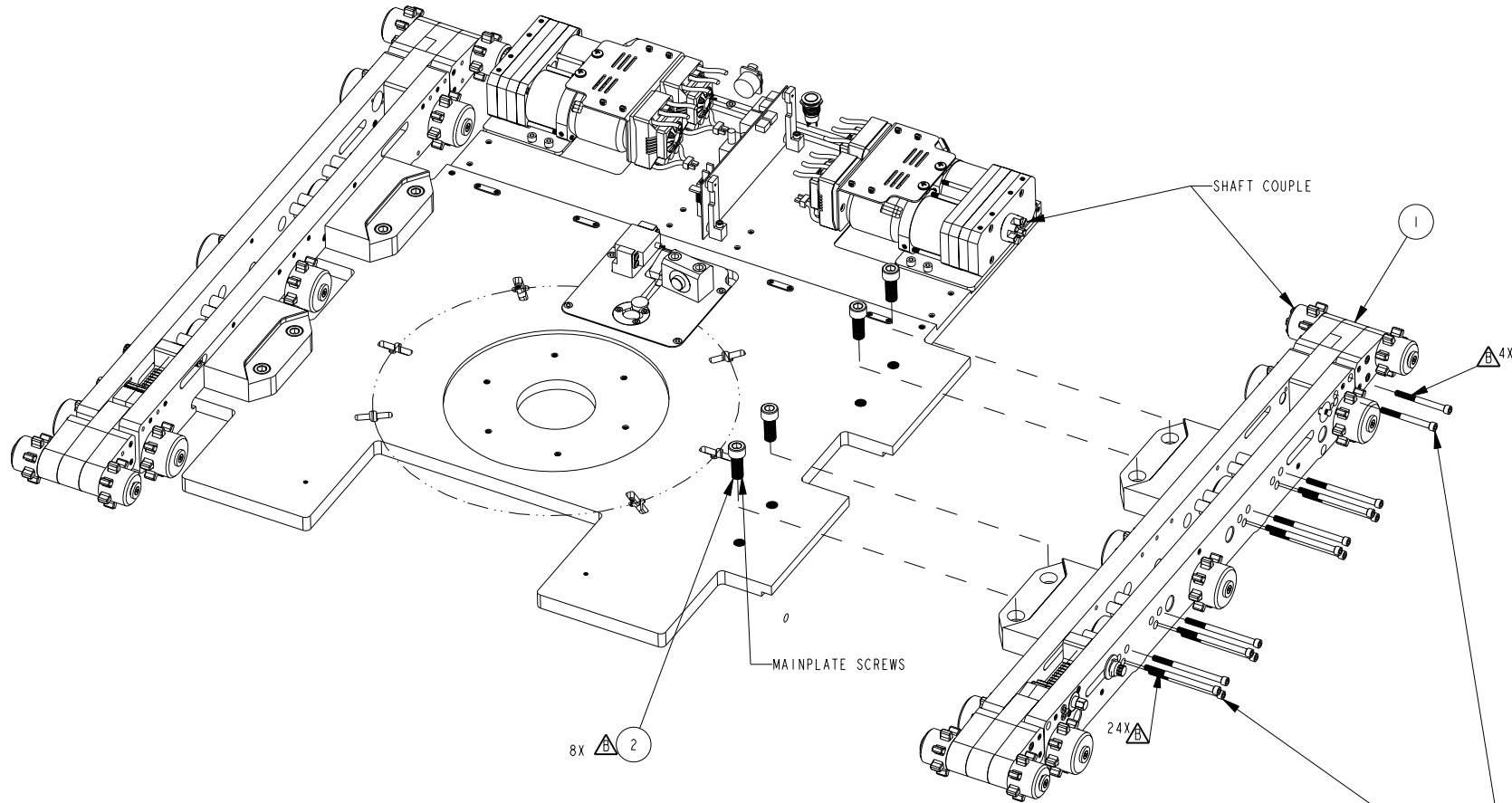
BLUE WIRES FROM SPEED CONTROLLER
CONNECT TO
YELLOW WIRES FROM MOTORS



NOTES:  BLUE REMOVABLE LOCTITE

BILL OF MATERIAL (CURRENT LEVEL)

ITEM	PT/ASSY	DESCRIPTION	TYPE	QTY.
1	02623	T2V3 RAIL ASSEMBLY	ASSEMBLY	1
2	96198	1/2"-20 X 1-1/4" L CAP SCREW	PART	8



LOOSEN SCREWS BEFORE MOUNTING RAILS TO MAINPLATE
ALIGN SHAFT COUPLE THEN ALIGN THE RAILS TO THE MAINPLATE.
ADD GLUE AND TIGHTEN RAIL SCREWS AND MAINPLATE SCREWS.

**ACAIR
Technology**

13832 MAGNOLIA AVE.
CHINO, CA 91710-7027
855-884-7222

T2V3 TUG ASSEMBLY

ASSY. NO. **02625**

C

SCALE 0.130

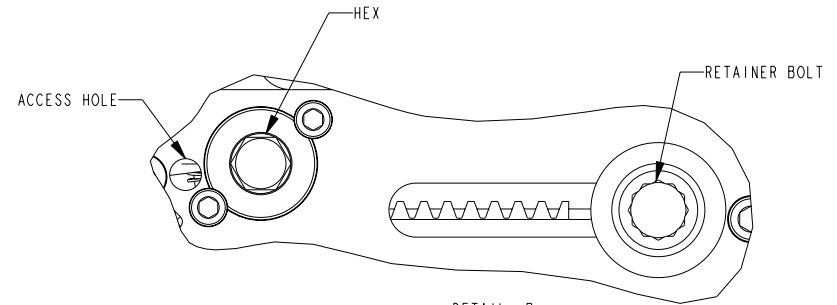
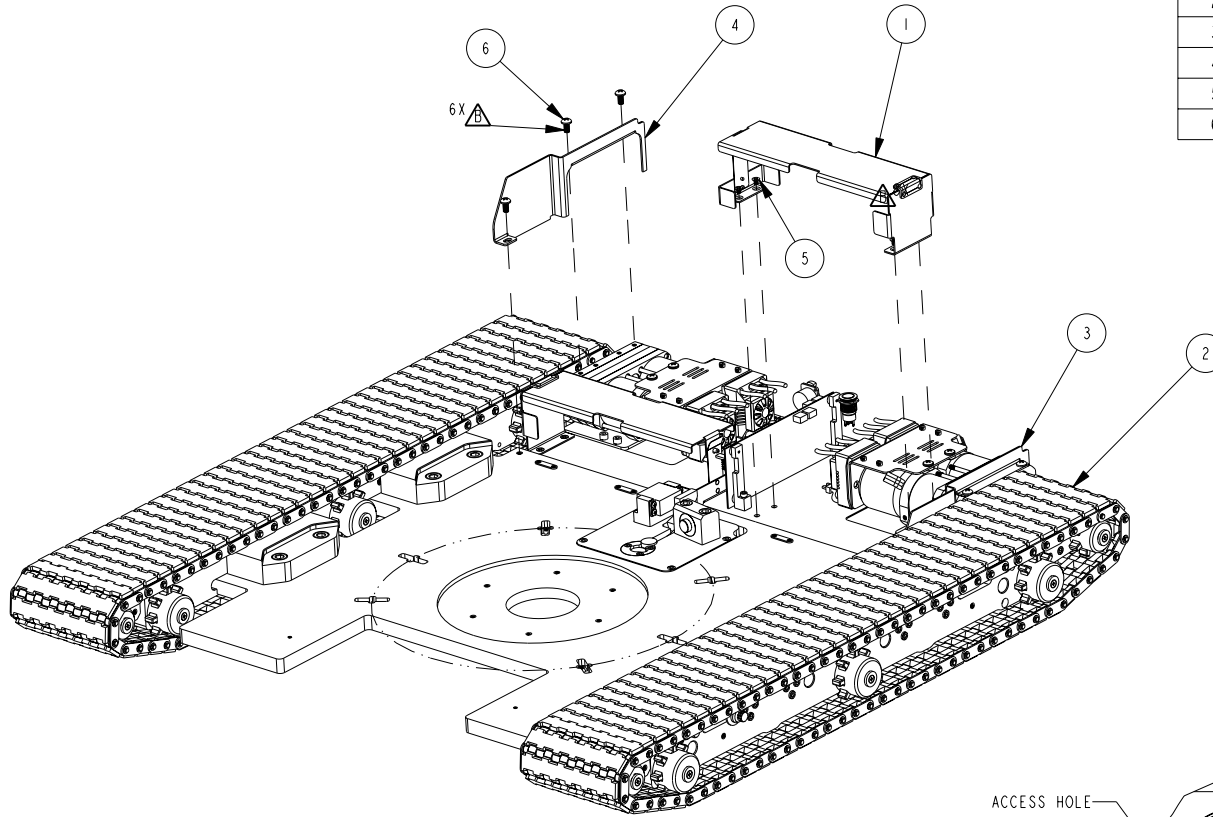
REF. -

SHEET 5 OF 11

NOTES:  BLUE REMOVABLE LOCTITE

BILL OF MATERIAL (CURRENT LEVEL)

ITEM	PT/ASSY	DESCRIPTION	TYPE	QTY.
1	09888	T2V2 BATTERY COVER ASM	ASSEMBLY	2
2	09923	T2 AUTO ADJ TRACK	ASSEMBLY	2
3	93557	T2V2 SHROUD END LEFT	PART	1
4	93558	T2V2 SHROUD END RIGHT	PART	1
5	95073	10-32 X 1/4"L FLAT HEAD SCREW	PART	8
6	95175	1/4"-20 X 3/8"L PAN HEAD	PART	6



DETAIL B
SCALE 0.625

NOTES:

IF RAIL FRONT END IS NOT FULLY RETRACTED

1. LOOSEN THE RETAINER BOLT WITH A 7/16" SOCKET
2. SLIGHTLY ROTATE THE HEX WITH A 7/16" SOCKET TO RELEASE THE TENSION FROM THE INTERNAL PINION
3. WITH THE HEX SLIGHTLY ROTATED INSERT A 1/4" DIAMETER SCREW DRIVE INTO THE ACCESS HOLE TO RELEASE THE INTERNAL MECHANISM.
4. ROTATE HEX WITH 7/16" SOCKET TO RETRACT FRONT END.
5. REMOVE THE SCREW DRIVE FROM THE ACCESS HOLE TO RELEASE THE INTERNAL MECHANISM.
6. ROTATE HEX WITH 7/16" SOCKET TO ADJUST TENSION. IT SHOULD ONLY ROTATE IN ONE DIRECTION.

ELSE

SEE STEP 6

**ACAIR
Technology**

13832 MAGNOLIA AVE.
CHINO, CA 91710-7027
855-884-7222

T2V3 TUG ASSEMBLY

ASSY. NO. 02625

C

SCALE 0.110

REF. -

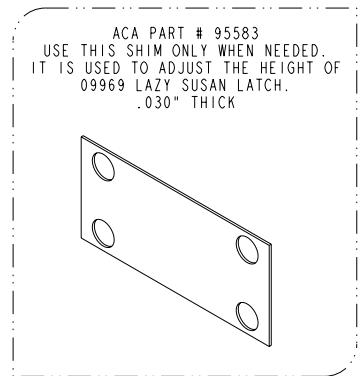
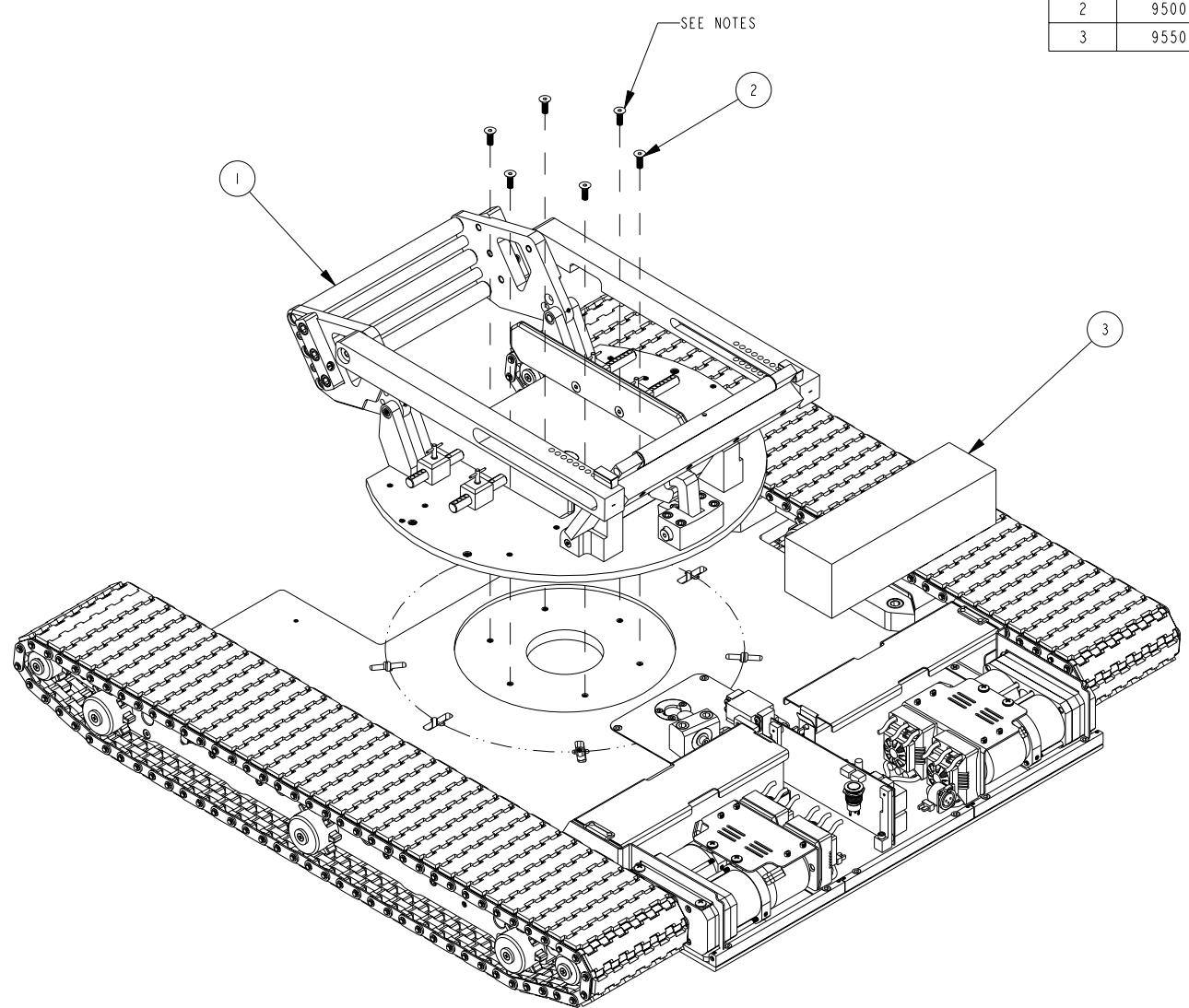
SHEET 6 OF 11

NOTES:

1. ASSEMBLE (6X) 95003 THROUGH HOLE ON LAZY SUSAN WHEEL PLATE.

BILL OF MATERIAL (CURRENT LEVEL)

ITEM	PT/ASSY	DESCRIPTION	TYPE	QTY.
1	09590	T2V2 LAZY SUSAN	ASSEMBLY	1
2	95003	1/4"-20 X 3/4" FLAT HEAD	PART	6
3	95503	24V 20AH BATTERY	PART	2



ACAIR Technology
 13832 MAGNOLIA AVE.
 CHINO, CA 91710-7027
 855-884-7222

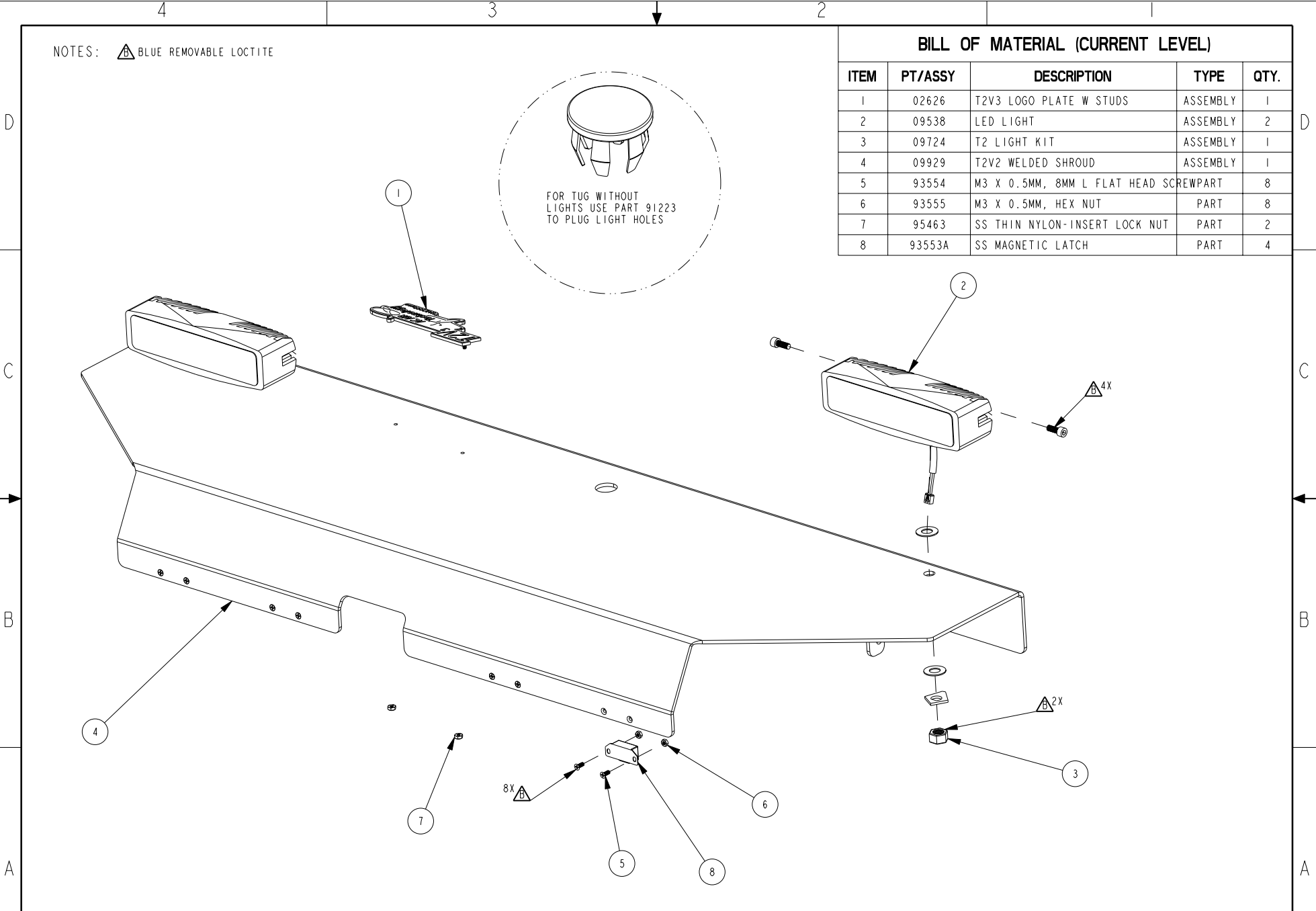
T2V3 TUG ASSEMBLY

ASSY. NO.	02625	A
SCALE	0.125	REF. - SHEET 7 OF 11

NOTES:  BLUE REMOVABLE LOCTITE

BILL OF MATERIAL (CURRENT LEVEL)

ITEM	PT/ASSY	DESCRIPTION	TYPE	QTY.
1	02626	T2V3 LOGO PLATE W STUDS	ASSEMBLY	1
2	09538	LED LIGHT	ASSEMBLY	2
3	09724	T2 LIGHT KIT	ASSEMBLY	1
4	09929	T2V2 WELDED SHROUD	ASSEMBLY	1
5	93554	M3 X 0.5MM, 8MM L FLAT HEAD SCREWPART	PART	8
6	93555	M3 X 0.5MM, HEX NUT	PART	8
7	95463	SS THIN NYLON-INSERT LOCK NUT	PART	2
8	93553A	SS MAGNETIC LATCH	PART	4



**ACAIR
Technology**

13832 MAGNOLIA AVE.
CHINO, CA 91710-7027
855-884-7222

T2V3 TUG ASSEMBLY

ASSY. NO. **02625**

C

SCALE 0.230

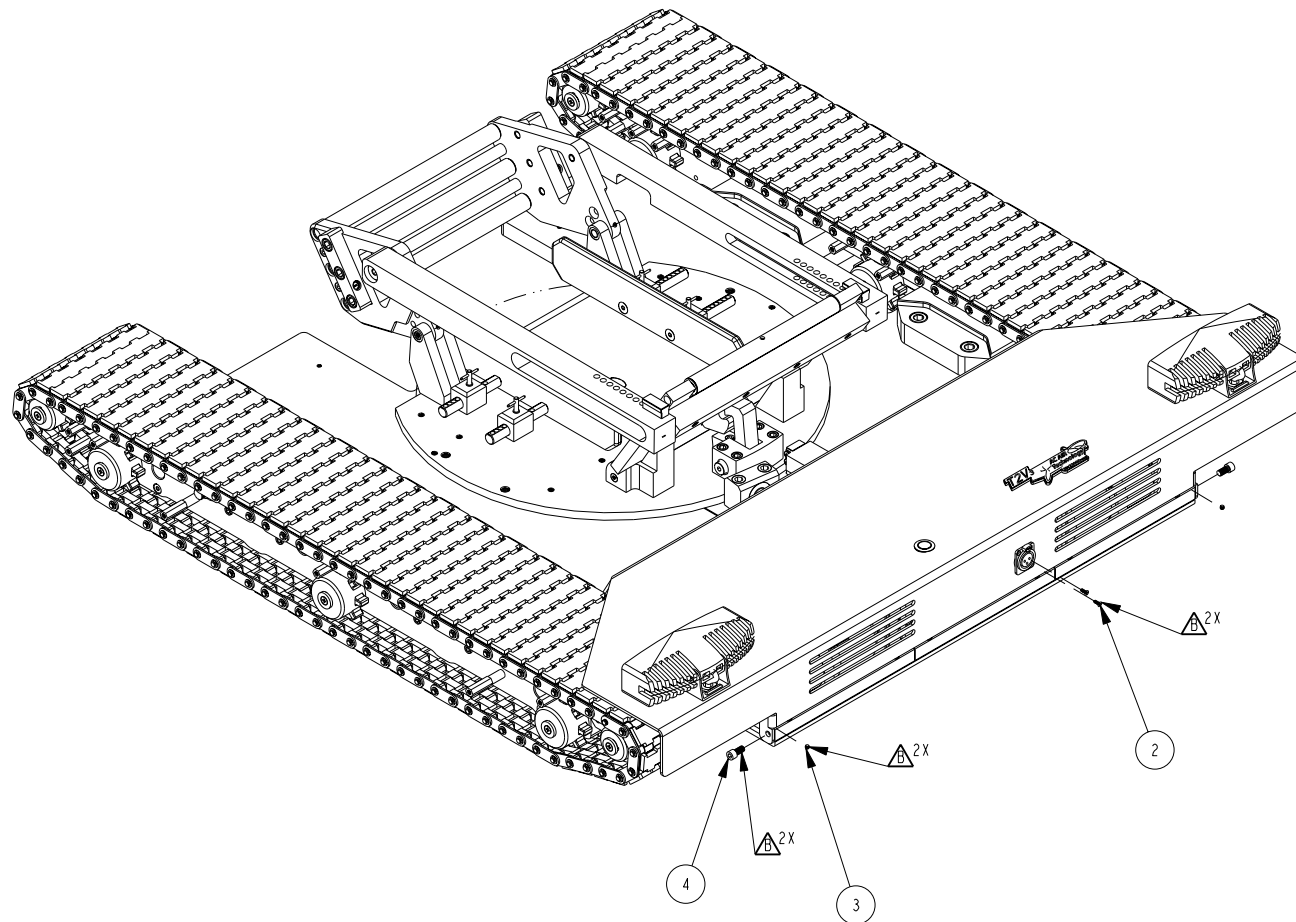
REF. -

SHEET 8 OF 11

NOTES:  BLUE REMOVABLE LOCTITE

BILL OF MATERIAL (CURRENT LEVEL)

ITEM	PT/ASSY	DESCRIPTION	TYPE	QTY.
1	02626	T2V3 LOGO PLATE W STUDS	ASSEMBLY	1
2	92361	4-40X5/16"L FLAT HD SCW, PHIL	PART	2
3	92524	8-32 UNC X 1/8 SET SCREW	PART	2
4	95017	1/4"-20 X 1/2" SOCKET CAP	PART	2



**ACAIR
Technology**

13832 MAGNOLIA AVE.
CHINO, CA 91710-7027
855-884-7222

T2V3 TUG ASSEMBLY



ASSY. NO. **02625**

C

SCALE 0.125

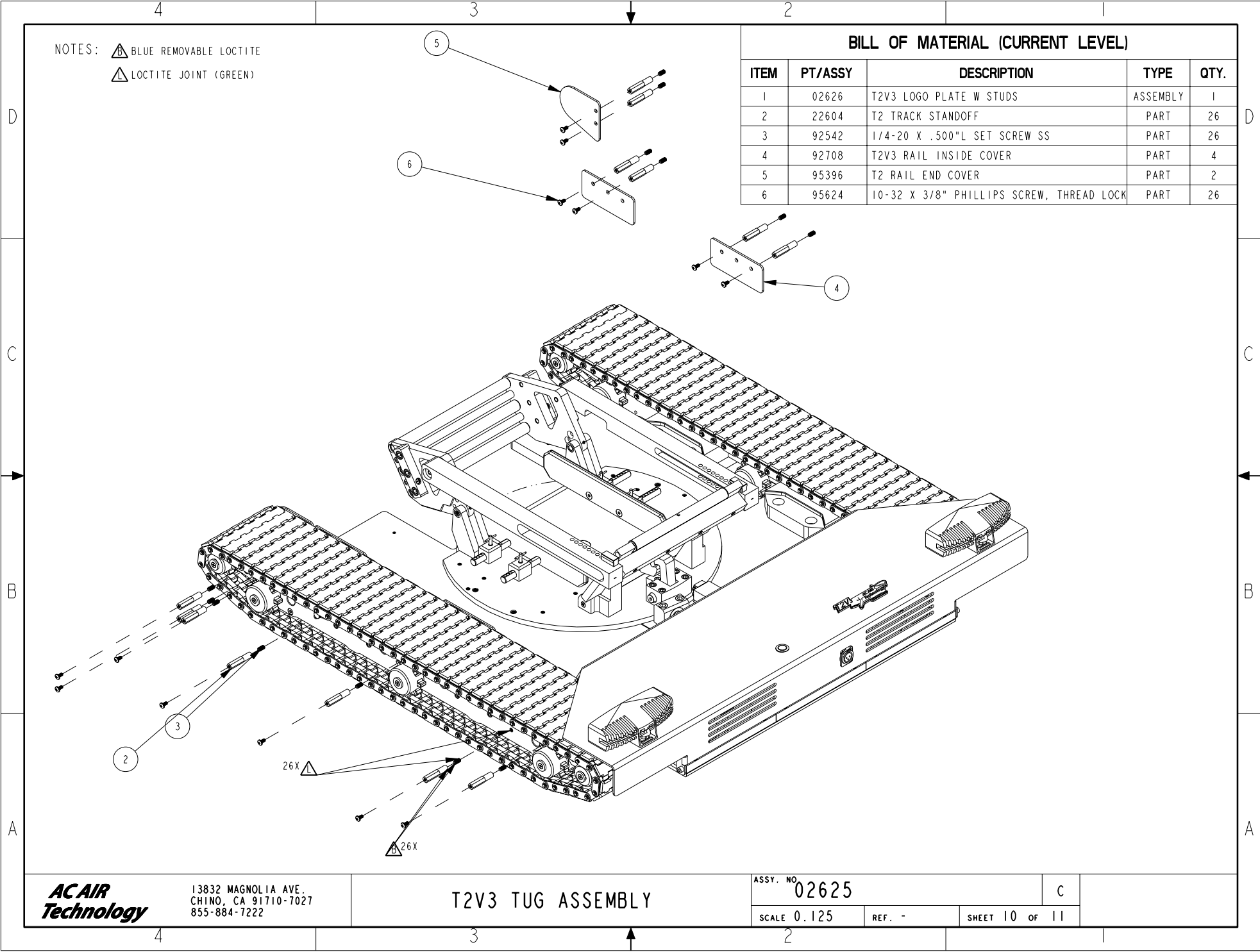
REF. -

SHEET 9 OF 11

NOTES:  BLUE REMOVABLE LOCTITE
 LOCTITE JOINT (GREEN)

BILL OF MATERIAL (CURRENT LEVEL)

ITEM	PT/ASSY	DESCRIPTION	TYPE	QTY.
1	02626	T2V3 LOGO PLATE W STUDS	ASSEMBLY	1
2	22604	T2 TRACK STANDOFF	PART	26
3	92542	1/4-20 X .500"L SET SCREW SS	PART	26
4	92708	T2V3 RAIL INSIDE COVER	PART	4
5	95396	T2 RAIL END COVER	PART	2
6	95624	10-32 X 3/8" PHILLIPS SCREW, THREAD LOCK	PART	26



**ACAIR
Technology**

13832 MAGNOLIA AVE.
CHINO, CA 91710-7027
855-884-7222

T2V3 TUG ASSEMBLY

ASSY. NO. **02625**

C

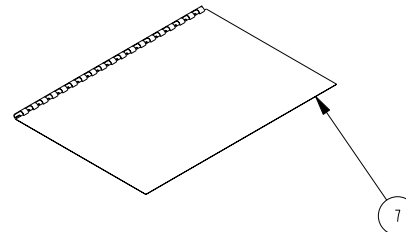
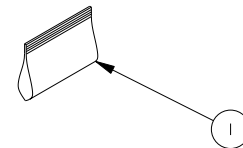
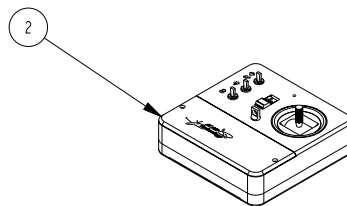
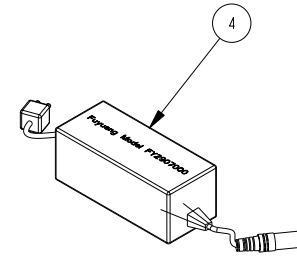
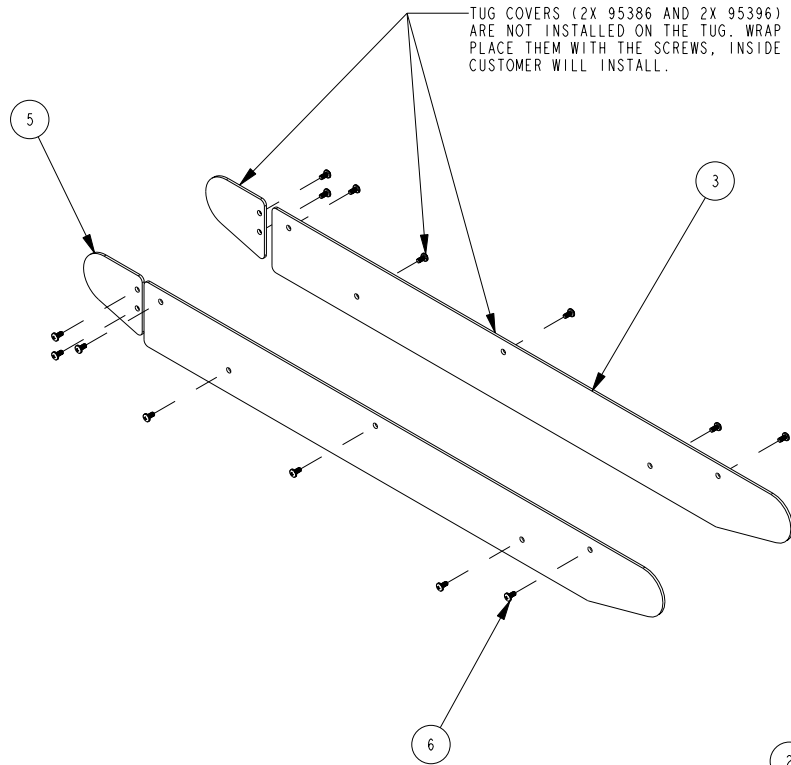
SCALE 0.125

REF. -

SHEET 10 OF 11

NOTES:

TUG COVERS (2X 95386 AND 2X 95396) AND SCREWS (14X 95624) ARE NOT INSTALLED ON THE TUG. WRAP COVERS IN FOAM AND PLACE THEM WITH THE SCREWS, INSIDE THE SHIPPING BOX. CUSTOMER WILL INSTALL.



BILL OF MATERIAL (CURRENT LEVEL)

ITEM	PT/ASSY	DESCRIPTION	TYPE	QTY.
1	09551	T2 TRACK SPARE PARTS KIT	PART	1
2	09965	T2V2/TI.5 V2 RADIO W LIGHTS 2017	ASSEMBLY	1
3	95386	T2 OUTSIDE COVER	PART	2
4	95394	29.2V POWER SUPPLY 7A	PART	1
5	95396	T2 RAIL END COVER	PART	2
6	95624	10-32 X 3/8" PHILLIPS SCREW, THREAD LOCK	PART	14
7	95666	T2V3 TUG OWNERS MANUAL	PART	1
8	96346	TUG SHIPPING BOX	BULK ITEM	1
9	96350	TUG FOAM PACKAGING	BULK ITEM	1

**ACAIR
Technology**

13832 MAGNOLIA AVE.
CHINO, CA 91710-7027
855-884-7222

T2V3 TUG ASSEMBLY

ASSY. NO. 02625

C

SCALE 0.120

REF. -

SHEET 11 OF 11